



US00D641214S

(12) **United States Design Patent**
Choi

(10) **Patent No.:** **US D641,214 S**

(45) **Date of Patent:** **** Jul. 12, 2011**

(54) **JUICER**

(75) Inventor: **Hun Jung Choi**, Seoul (KR)

(73) Assignee: **Woongjin Coway Co., Ltd.**,
Choongcheongnam-Do (KR)

(**) Term: **14 Years**

(21) Appl. No.: **29/381,344**

(22) Filed: **Dec. 17, 2010**

(30) **Foreign Application Priority Data**

Jun. 17, 2010 (KR) 30-2010-0026741

(51) **LOC (9) Cl.** **31-00**

(52) **U.S. Cl.** **D7/665**

(58) **Field of Classification Search** D7/665,
D7/666, 381, 384, 378, 376, 377; 366/64-67,
366/98, 142, 197-211, 241-254, 279-292,
366/341-347; 241/36, 30, 37.5, 92, 100,
241/282.1, 101.1-101.2, 285.1-285.3; 99/501-513,
99/495, 499, 348, 357

See application file for complete search history.

(56) **References Cited**

U.S. PATENT DOCUMENTS

D555,434 S * 11/2007 Cohen et al. D7/665
D565,363 S * 4/2008 Fouquet D7/666
D572,092 S * 7/2008 Since D7/665
D594,717 S * 6/2009 Wu Chang D7/665

FOREIGN PATENT DOCUMENTS

EM 000612064-0001 11/2006

* cited by examiner

Primary Examiner — Terry Wallace

(74) *Attorney, Agent, or Firm* — McDermott Will & Emery
LLP

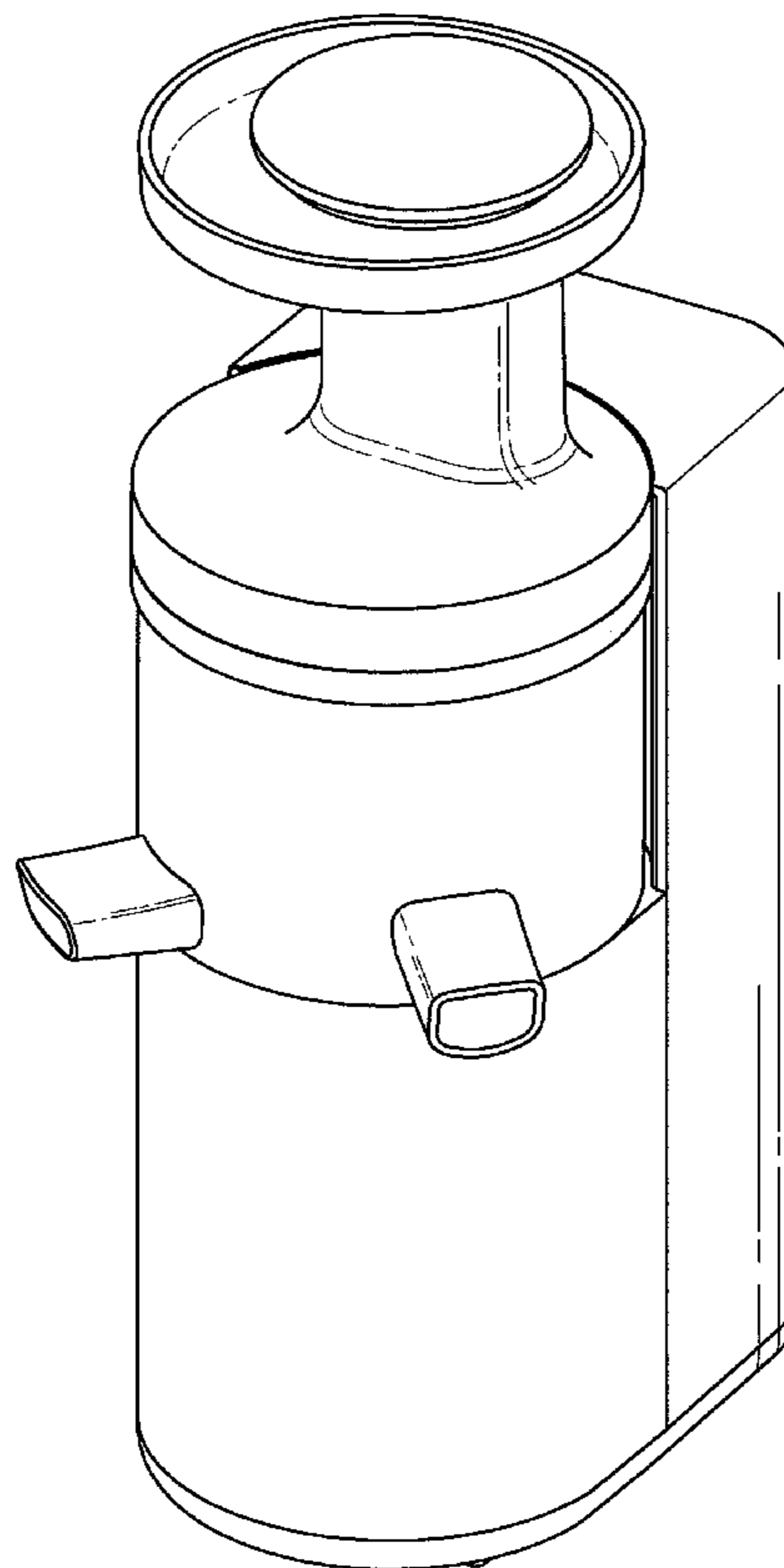
(57) **CLAIM**

The ornamental design for a juicer, as shown and described.

DESCRIPTION

FIG. 1 is the perspective view of a juicer
FIG. 2 is the front view thereof
FIG. 3 is the rear view thereof
FIG. 4 is the left side view thereof
FIG. 5 is the right side view thereof
FIG. 6 is the top plan view thereof; and,
FIG. 7 is the bottom view thereof.
The broken line showing of the juicer in FIGS. 5-7 is for the
purpose of illustration and forms no part of the claimed
design.

1 Claim, 6 Drawing Sheets



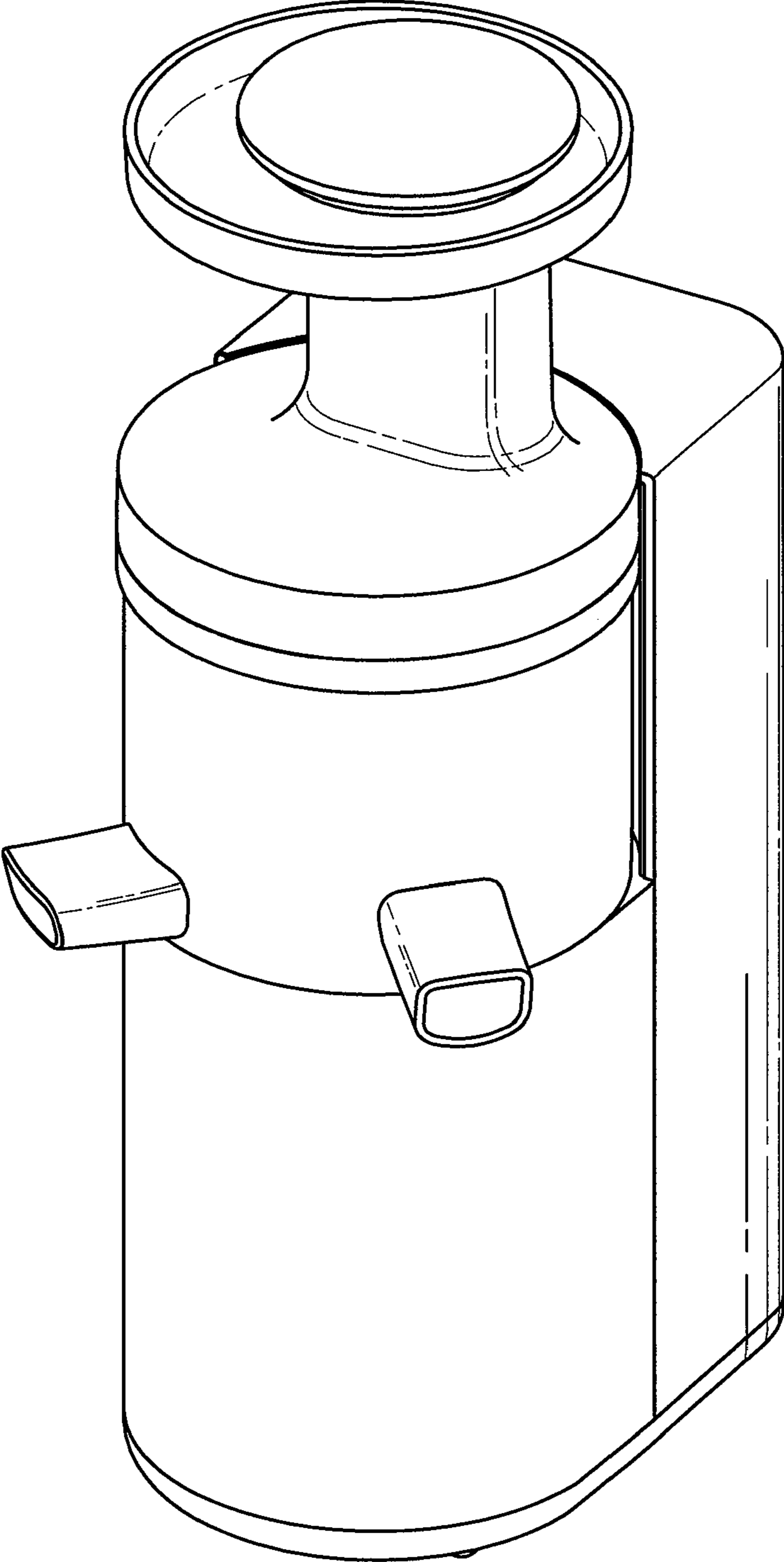


FIG. 1

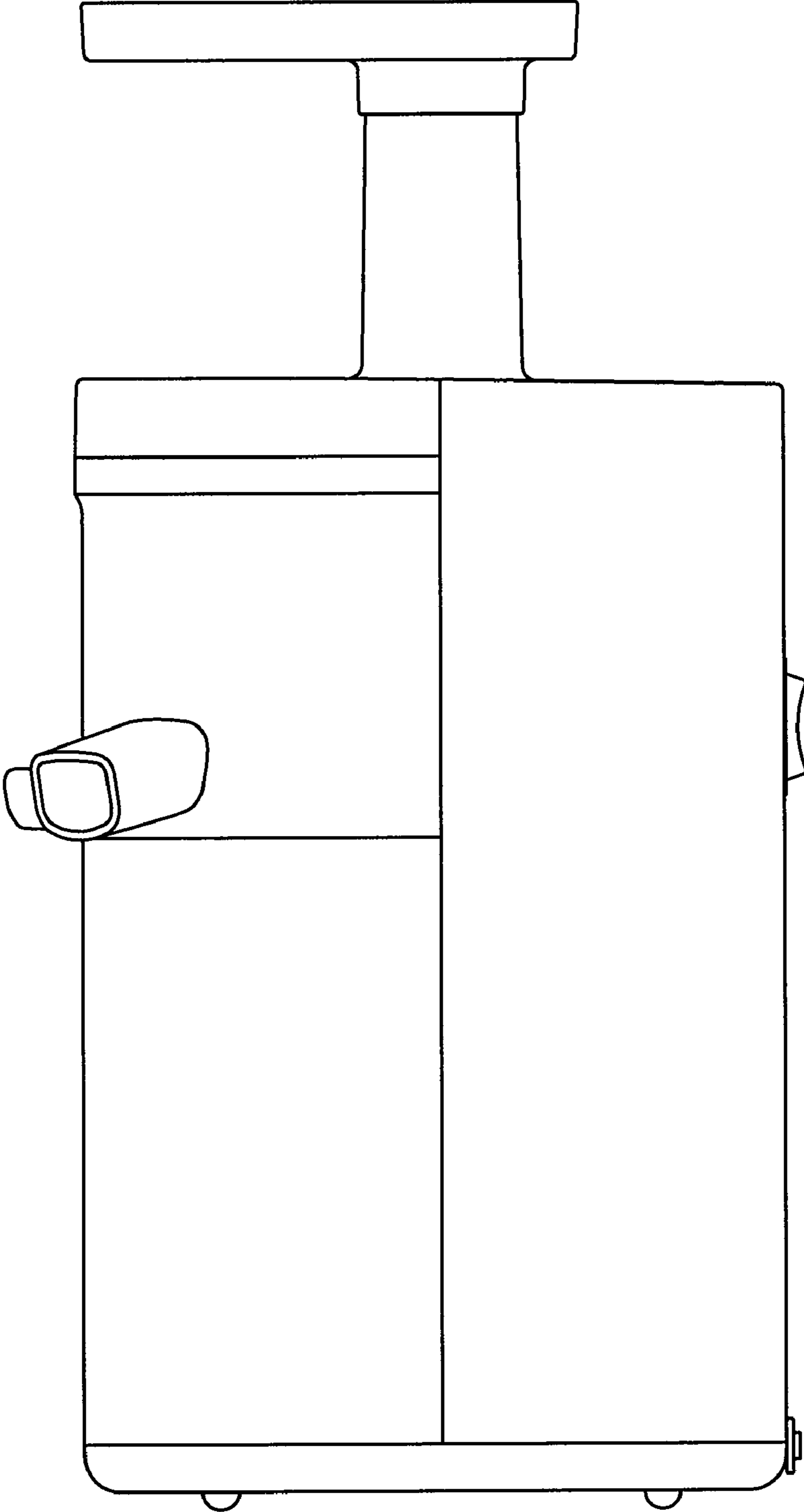


FIG. 2

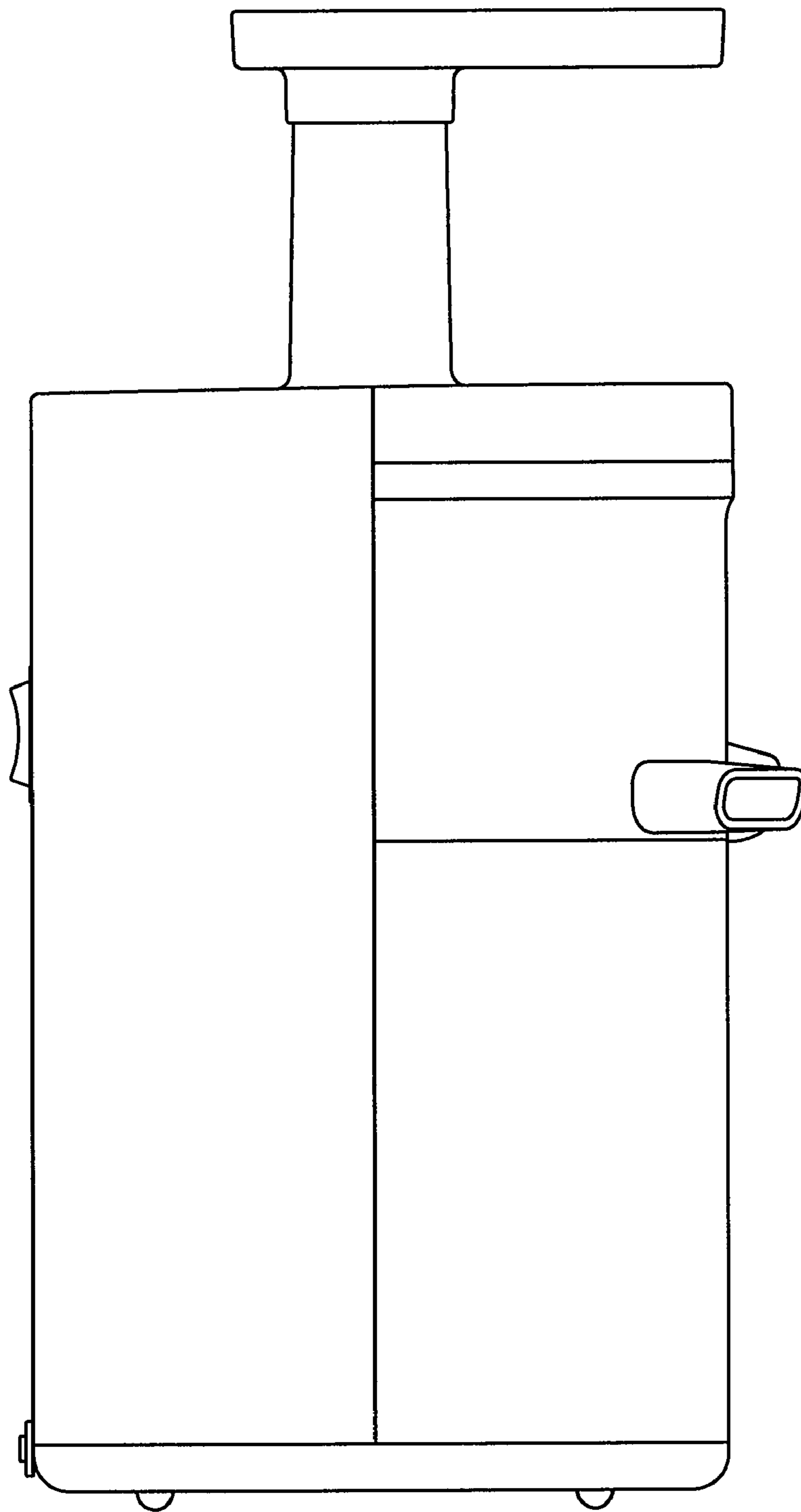


FIG. 3

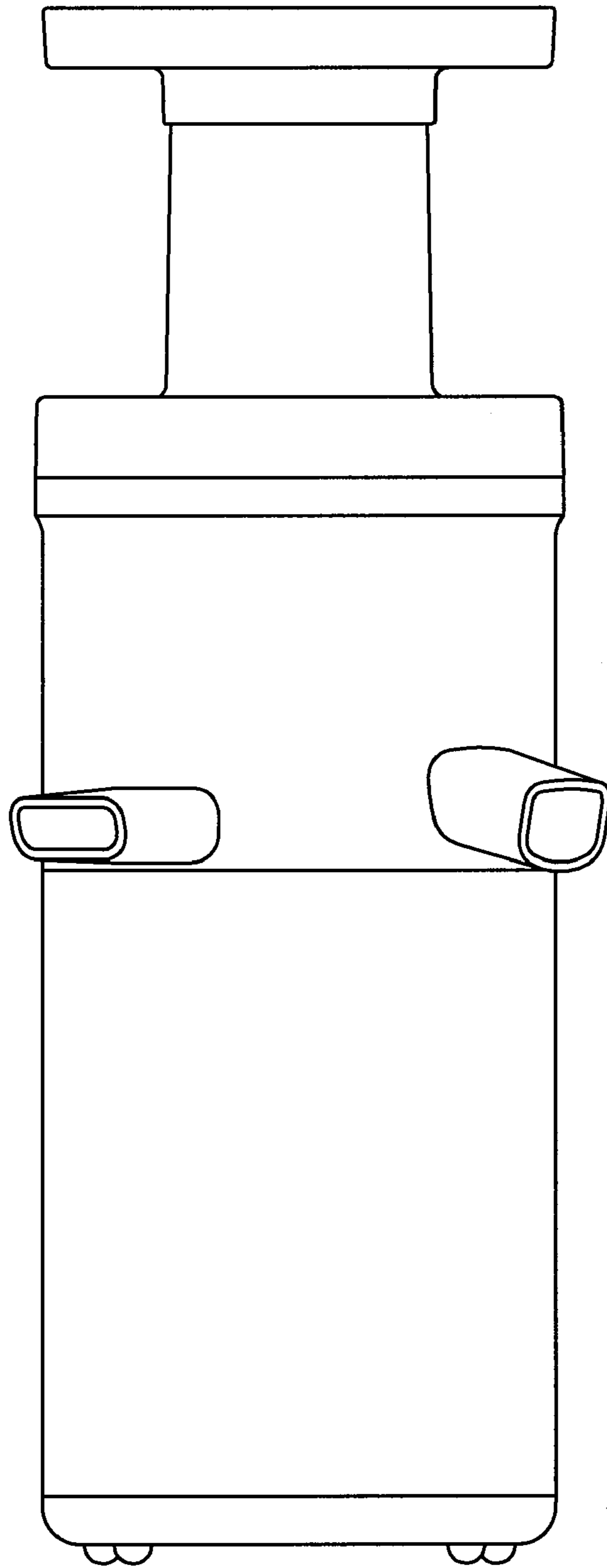


FIG. 4

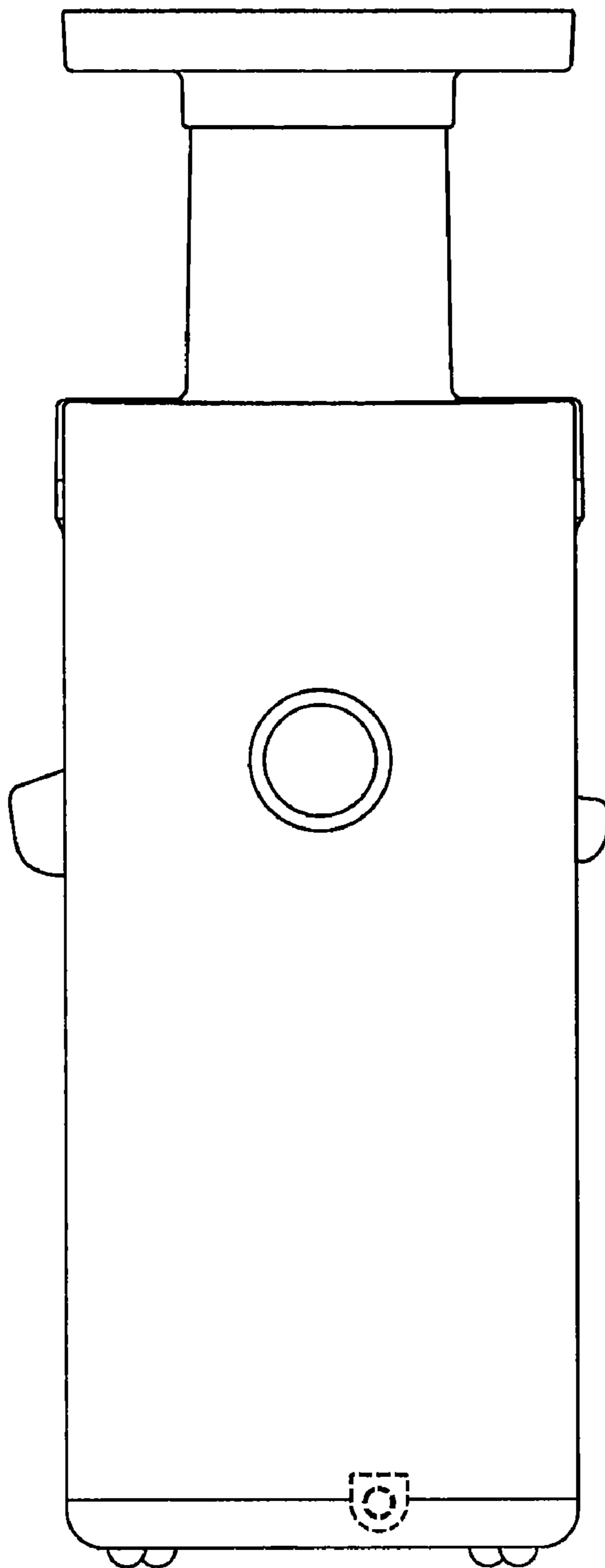


FIG. 5

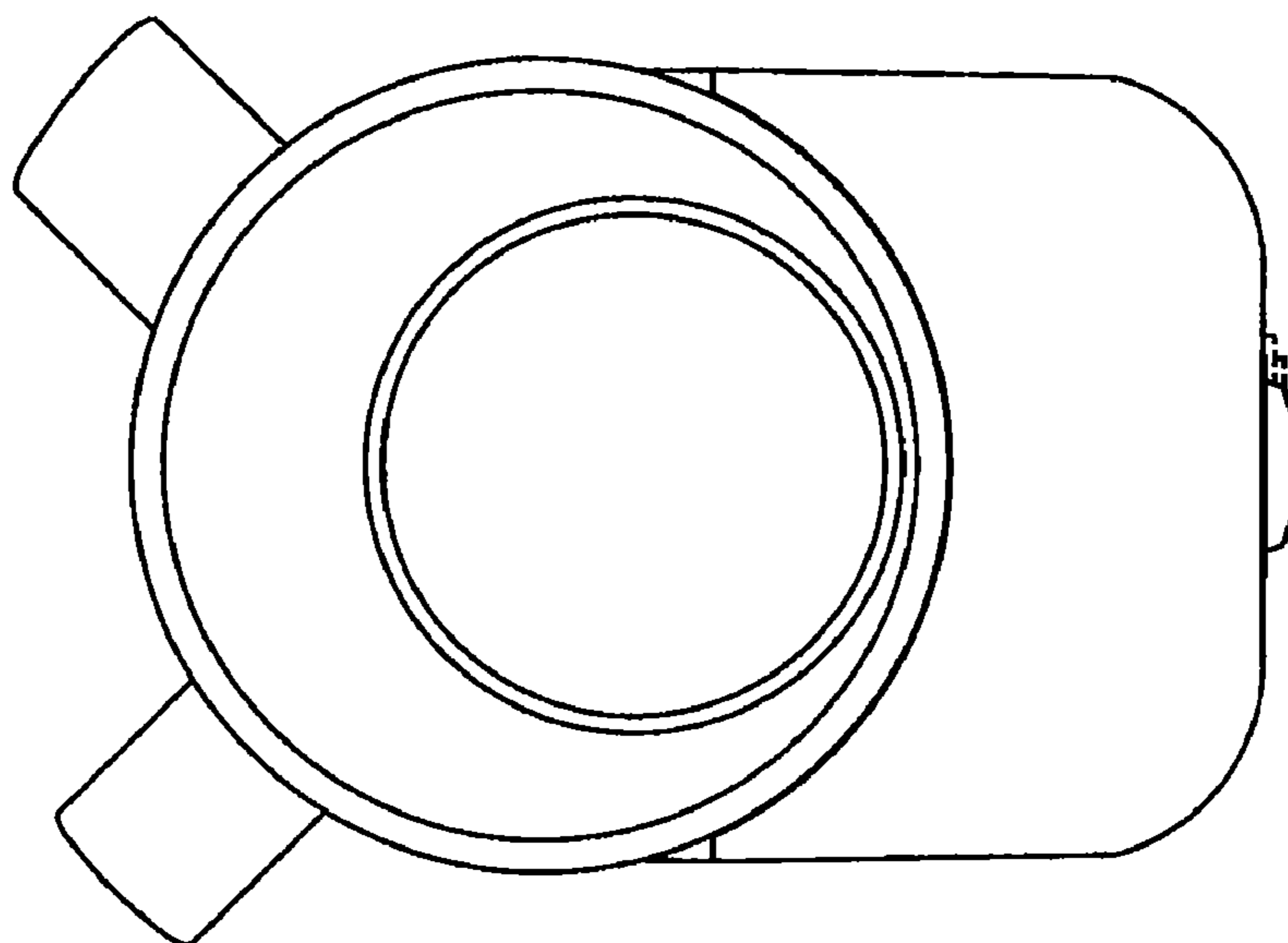


FIG. 6

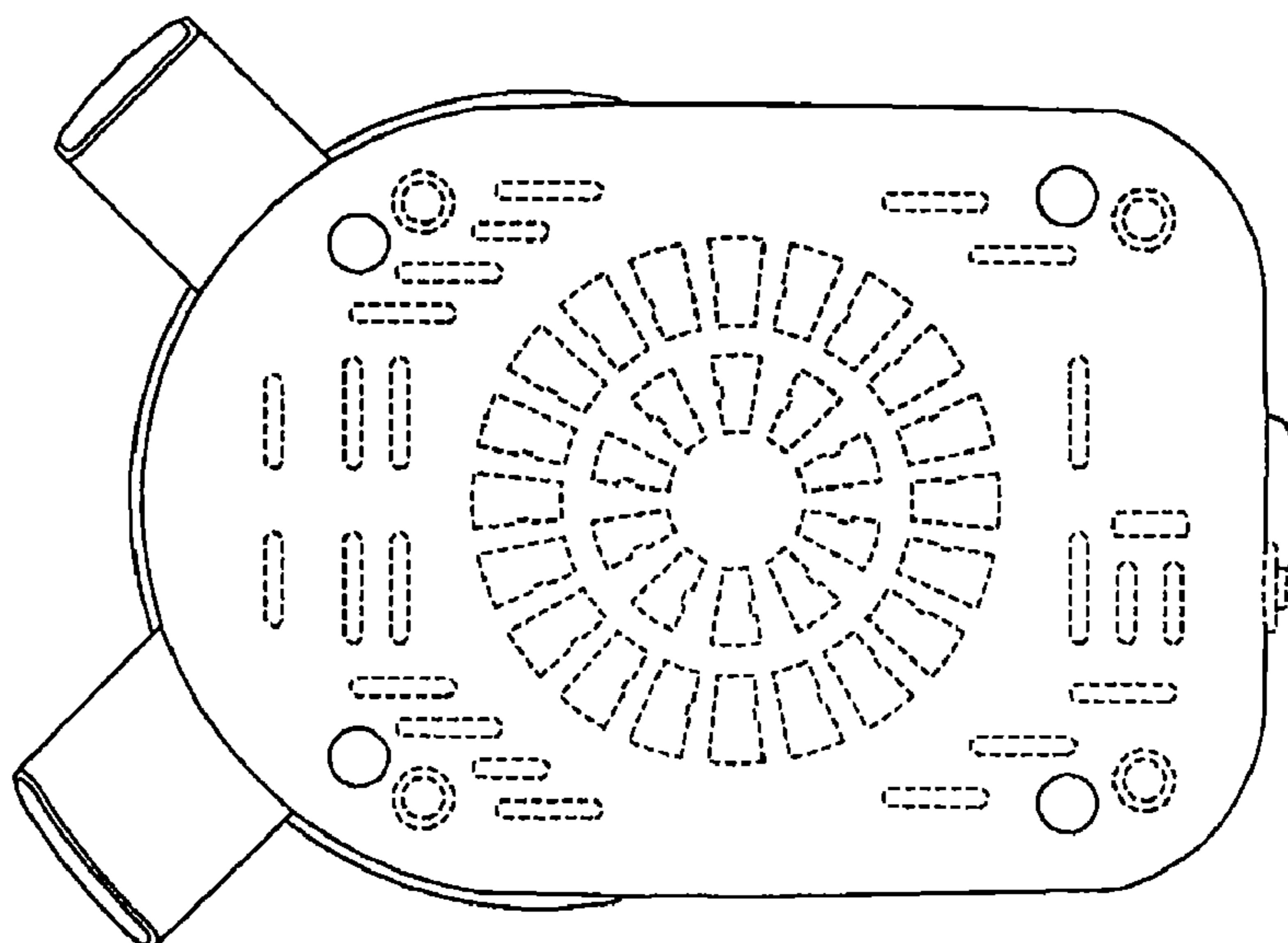


FIG. 7