



US00D641204S

(12) **United States Design Patent**
Baumgartner et al.

(10) **Patent No.:** **US D641,204 S**
(45) **Date of Patent:** **** Jul. 12, 2011**

(54) **COOKING DEVICE**

(75) Inventors: **Klaus Baumgartner**, Esslingen (DE);
Matthias Decker, Esslingen (DE)

(73) Assignee: **Silit-Werke GmbH & Co. KG**

(**) Term: **14 Years**

(21) Appl. No.: **29/322,469**

(22) Filed: **Aug. 5, 2008**

(30) **Foreign Application Priority Data**

Feb. 5, 2008	(EM)	000872957-0001
Feb. 5, 2008	(EM)	000872957-0002
Feb. 5, 2008	(EM)	000872957-0003
Feb. 5, 2008	(EM)	000872957-0004
Feb. 5, 2008	(EM)	000872957-0005
Feb. 5, 2008	(EM)	000872957-0006
Feb. 5, 2008	(EM)	000872957-0007
Feb. 5, 2008	(EM)	000872957-0008
Feb. 5, 2008	(EM)	000872957-0009
Feb. 5, 2008	(EM)	000872957-0010
Feb. 5, 2008	(EM)	000872957-0011

(51) **LOC (9) Cl.** **07-02**

(52) **U.S. Cl.** **D7/360; D7/354**

(58) **Field of Classification Search** D7/318,
D7/323, 330-331, 337, 339, 347-367, 376-384,
D7/391-395, 402, 510, 542-545, 560, 600;
99/324-325, 329 R, 330-339, 372, 375, 400,
99/412-413, 425; 219/432-433, 438-441,
219/620-622, 725-730; 220/203.1, 203.07,
220/203.09, 298, 303, 316, 356.1, 377, 573.1-574,
220/769, 912; 426/438, 441

See application file for complete search history.

(56) **References Cited**

U.S. PATENT DOCUMENTS

D293,871	S	*	1/1988	Turner et al.	D7/318
D413,483	S	*	9/1999	Roussard	D7/358

D458,514	S	*	6/2002	Dorion	D7/600
D482,562	S	*	11/2003	Demers	D7/354
D486,352	S	*	2/2004	Park	D7/358
D491,011	S	*	6/2004	Park	D7/358
D493,332	S	*	7/2004	Bin	D7/510
D571,607	S	*	6/2008	Stattmann	D7/361
D592,446	S	*	5/2009	Berlencourt	D7/376
D610,393	S	*	2/2010	Josancy	D7/358
D618,495	S	*	6/2010	Welk et al.	D7/361
D619,847	S	*	7/2010	Lin	D7/361

* cited by examiner

Primary Examiner — Ricky Pham

(74) *Attorney, Agent, or Firm* — Marshall, Gerstein & Borun
LLP; James P. Zeller; Richard M. LaBarge

(57) **CLAIM**

The ornamental design for a cooking device, as shown and described.

DESCRIPTION

FIG. 1 is a perspective side view of one embodiment of a cooking device that has the design.

FIG. 2 is a perspective side and top view of the cooking device.

FIG. 3 is a top view of the cooking device.

FIG. 4 is a bottom view of the cooking device.

FIG. 5 is a side perspective view of another embodiment of a cooking device that has the design.

FIG. 6 is a perspective side view of the device seen in FIG. 5, with the top removed.

FIG. 7 is a side perspective view of a third embodiment of a cooking device that has the design.

FIG. 8 is a top view of the device seen in FIG. 7.

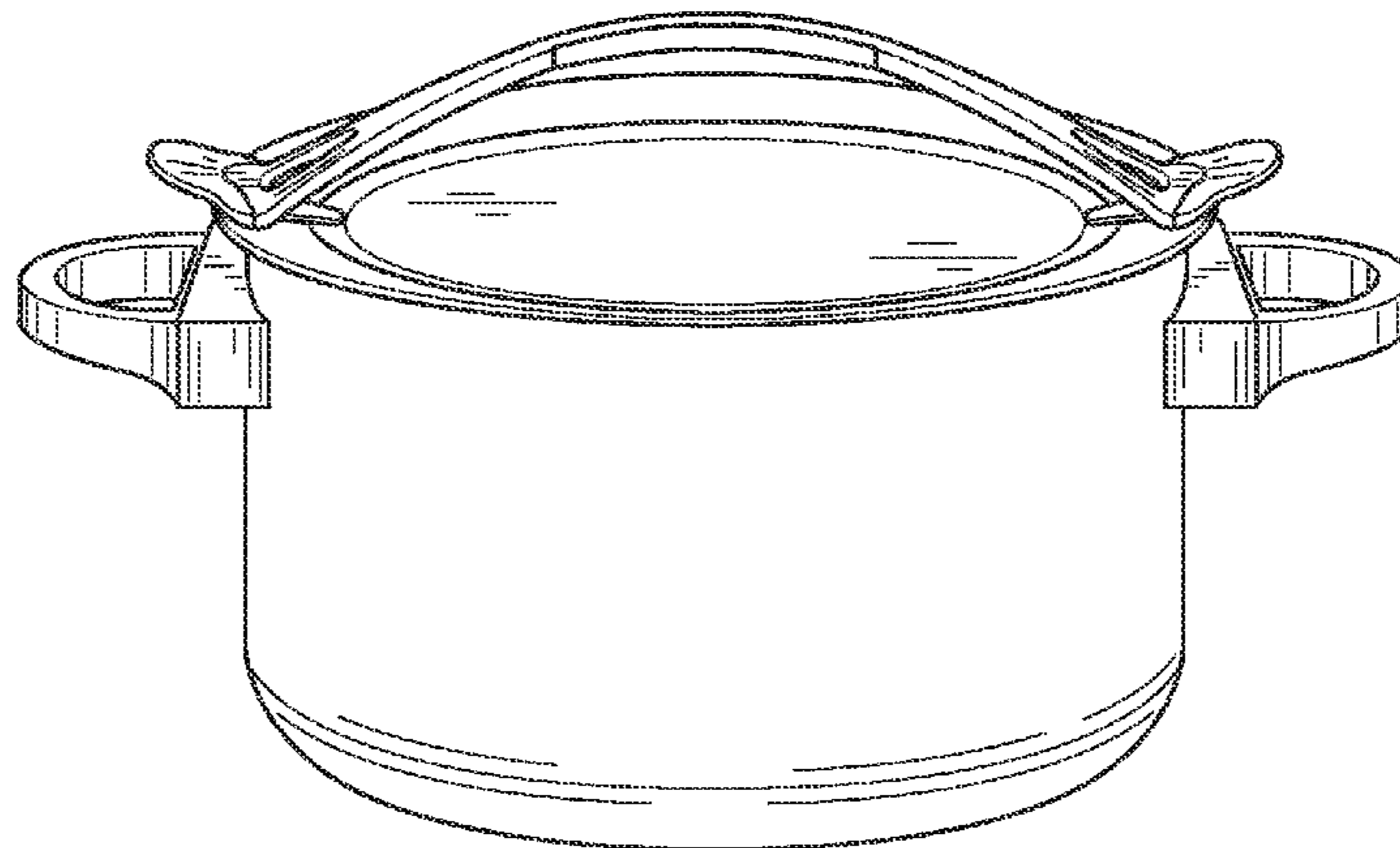
FIG. 9 is a side perspective view of a fourth embodiment of a cooking device that has the design.

FIG. 10 is a side perspective view of a fifth embodiment of a cooking device that has the design; and,

FIG. 11 is a side perspective view of a sixth embodiment of a cooking device that has the design.

The broken lines shown in the drawings are for illustrative purposes only and form no part of the claimed design.

1 Claim, 5 Drawing Sheets



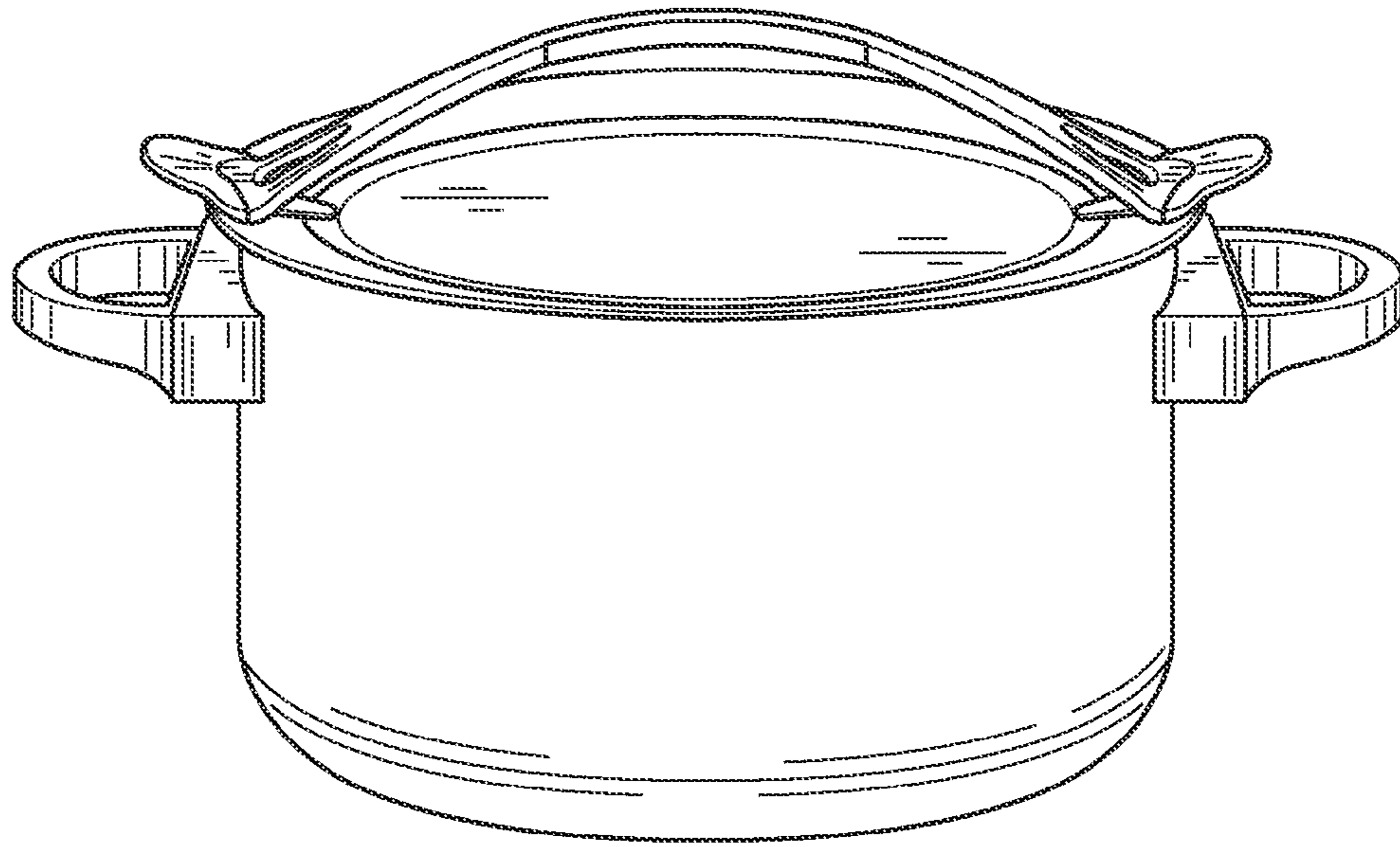


FIG. 1

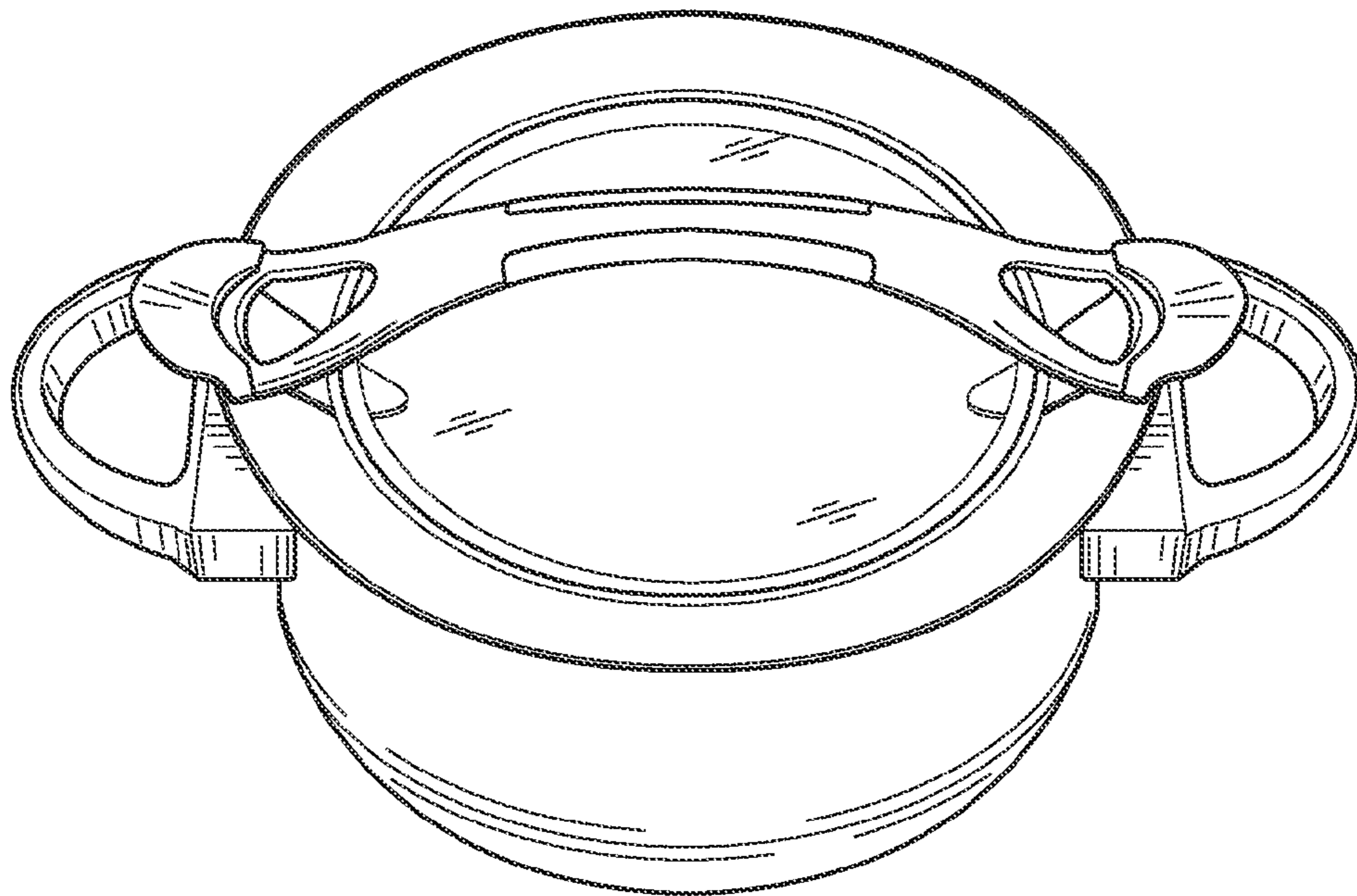


FIG. 2

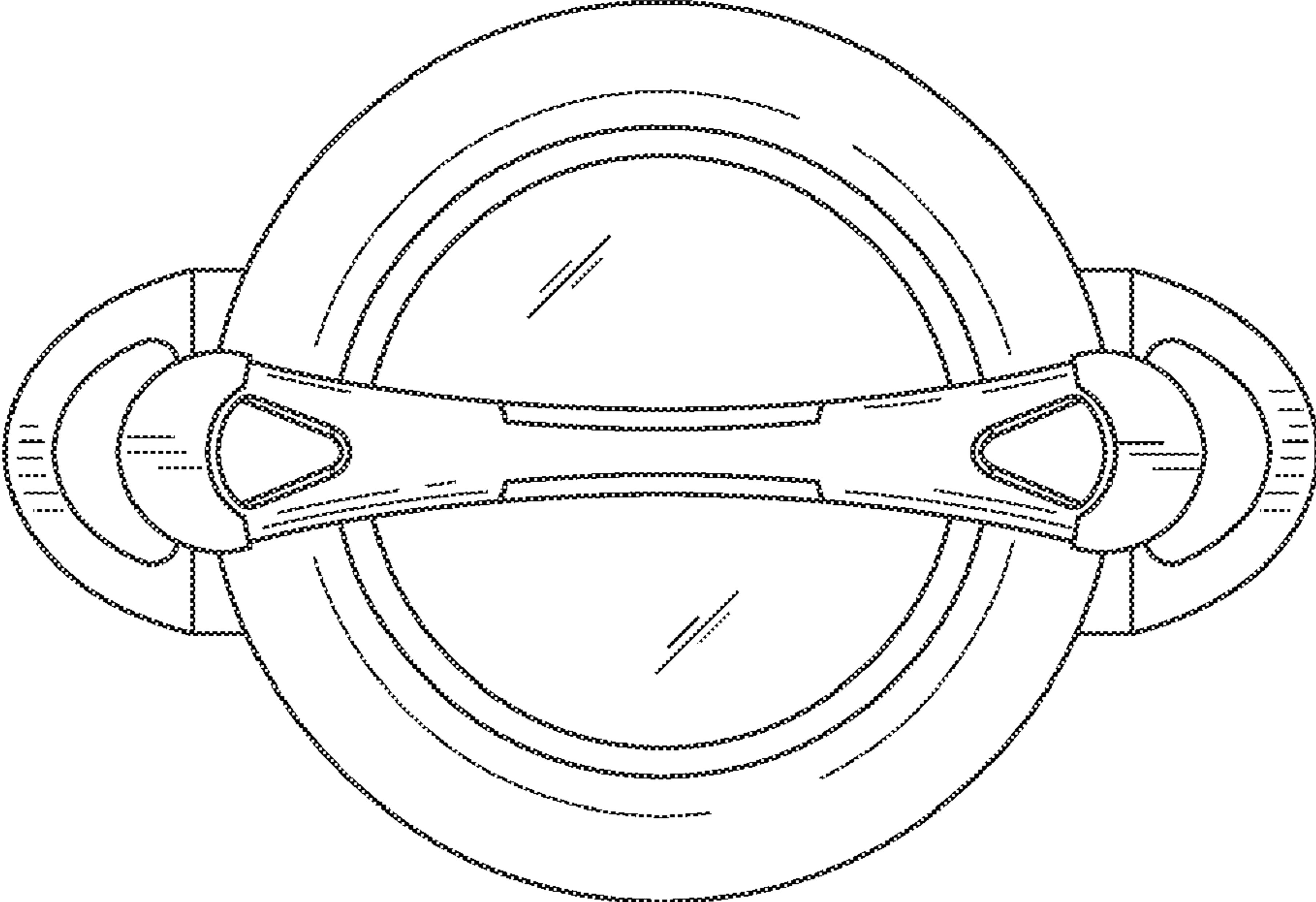


FIG. 3

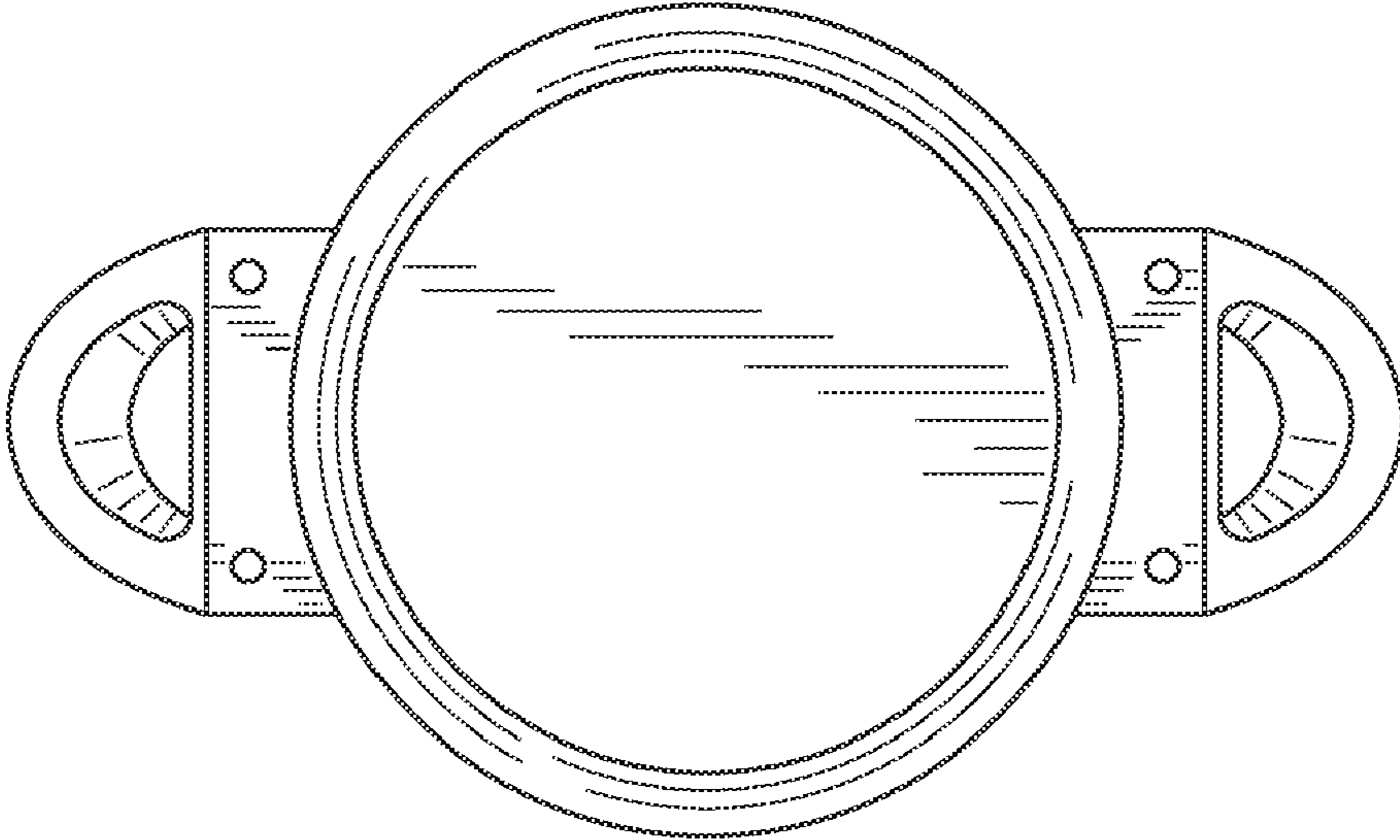


FIG. 4

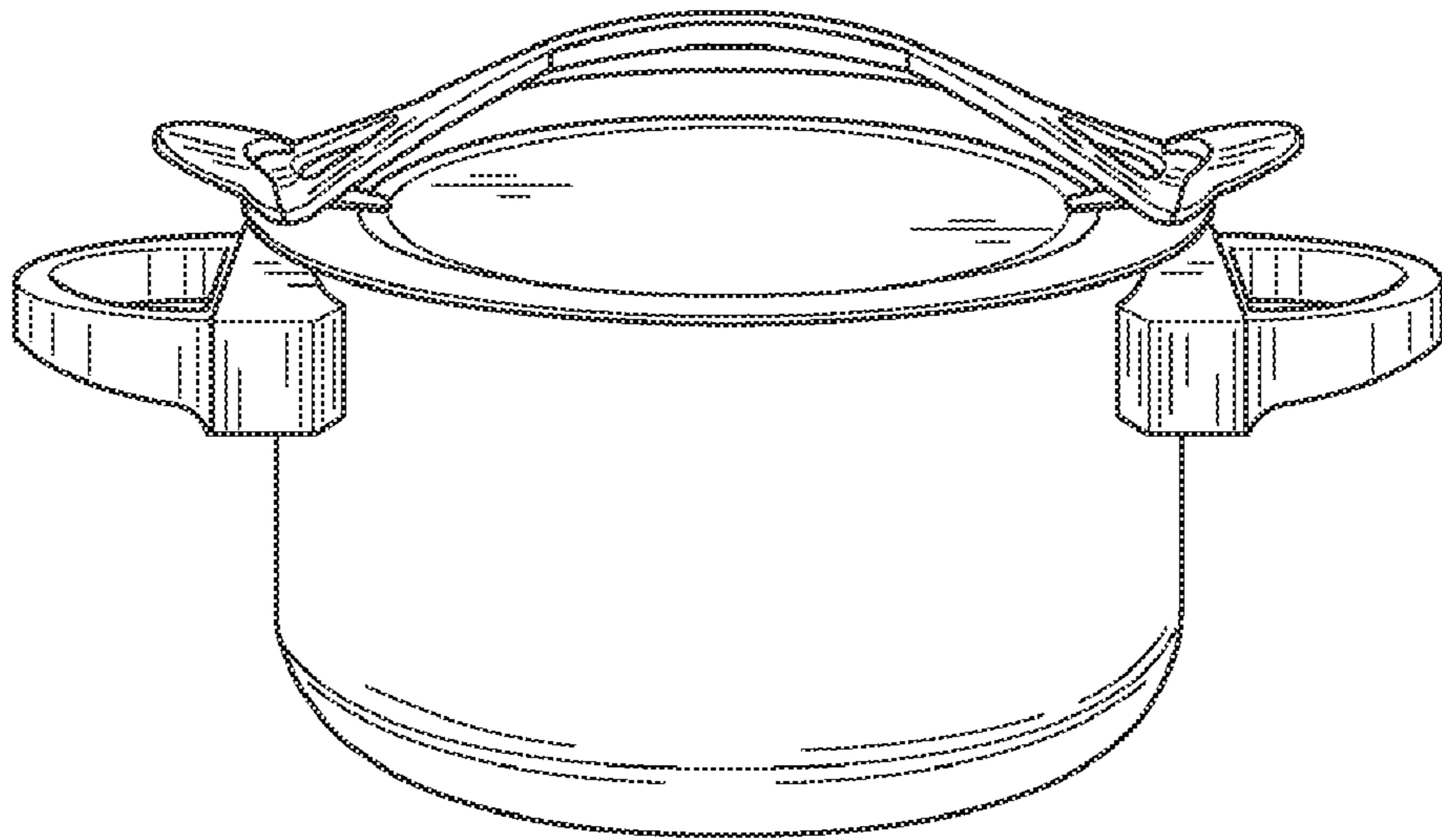


FIG. 5

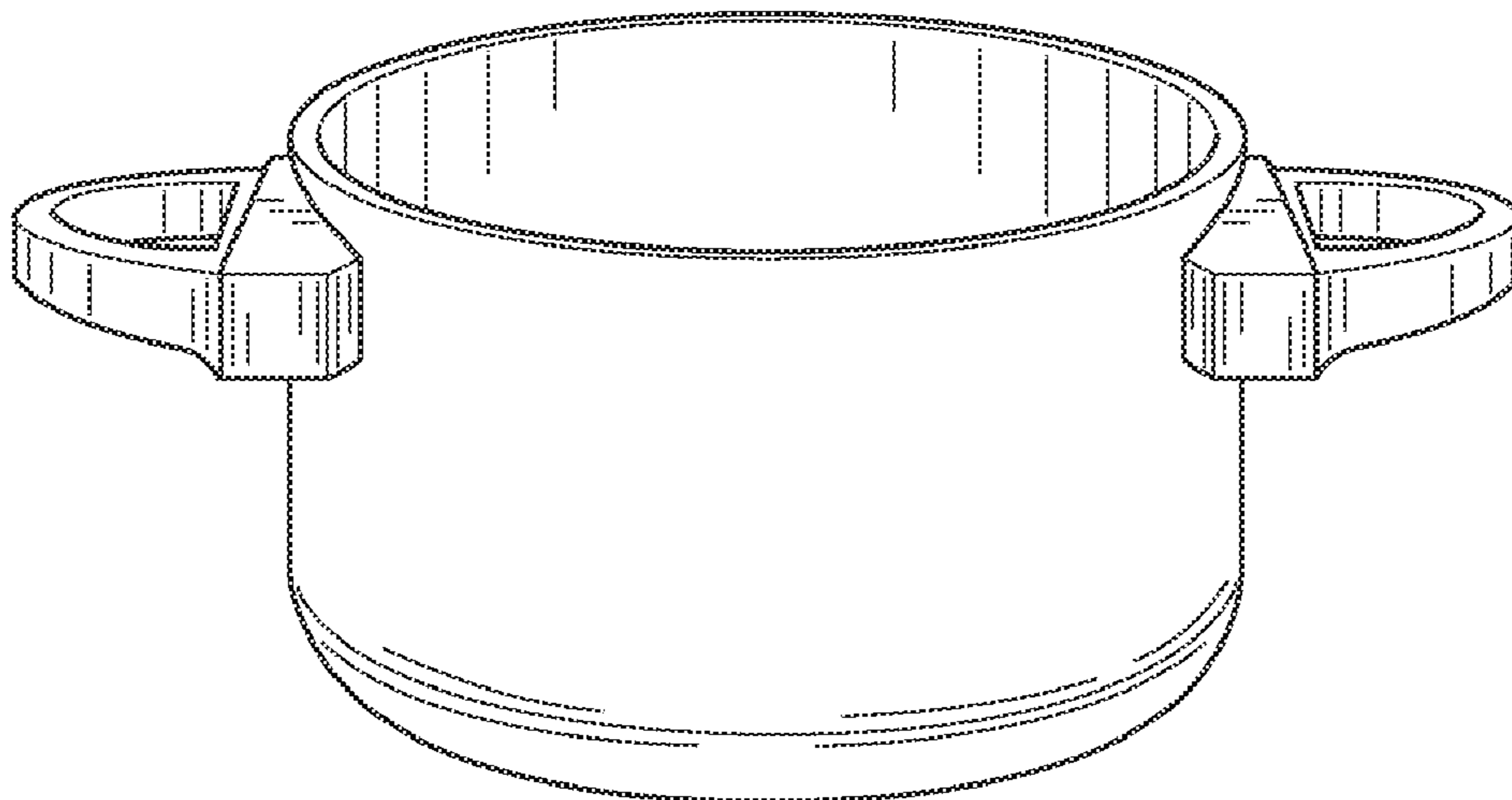


FIG. 6

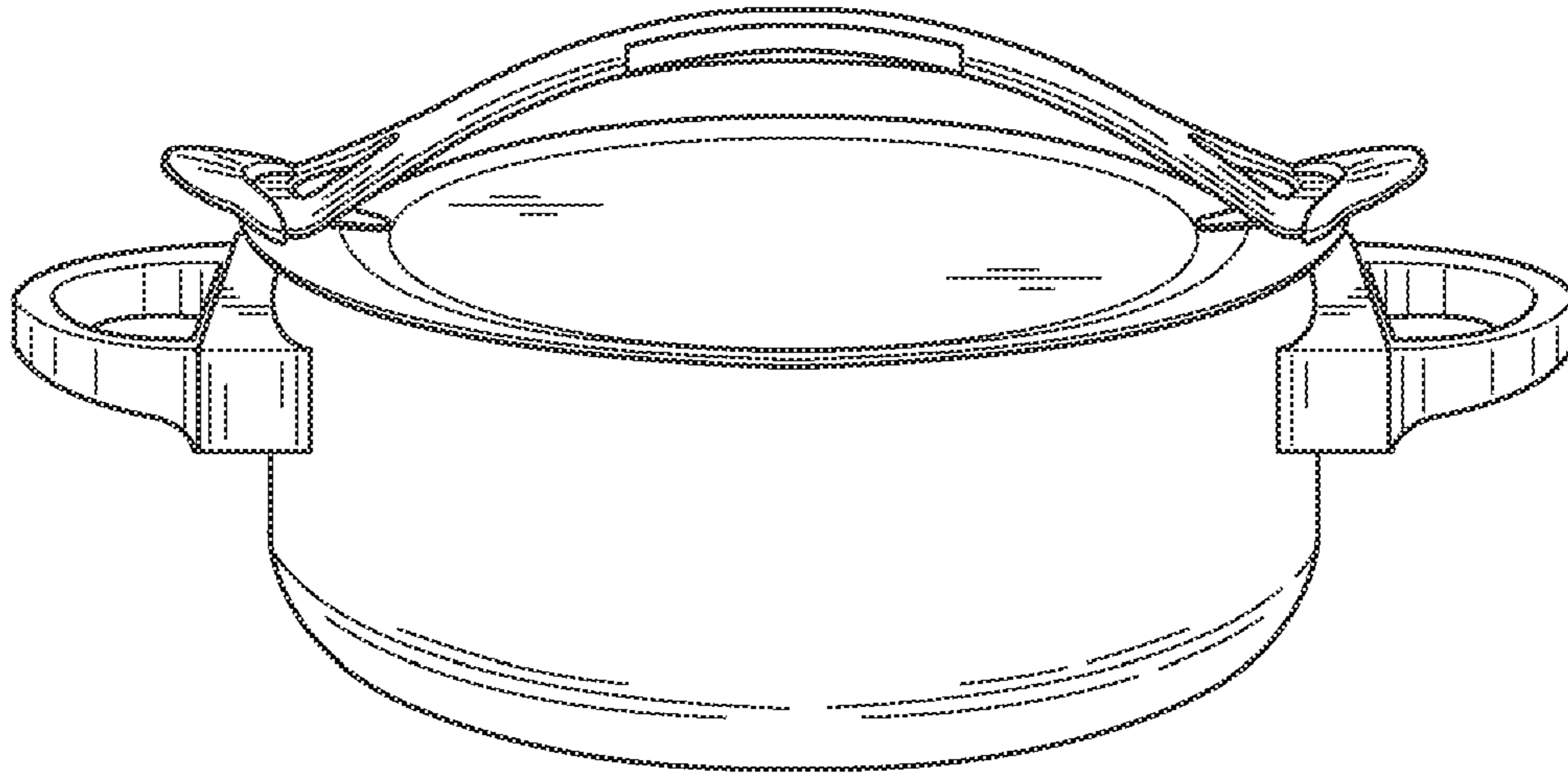


FIG. 7

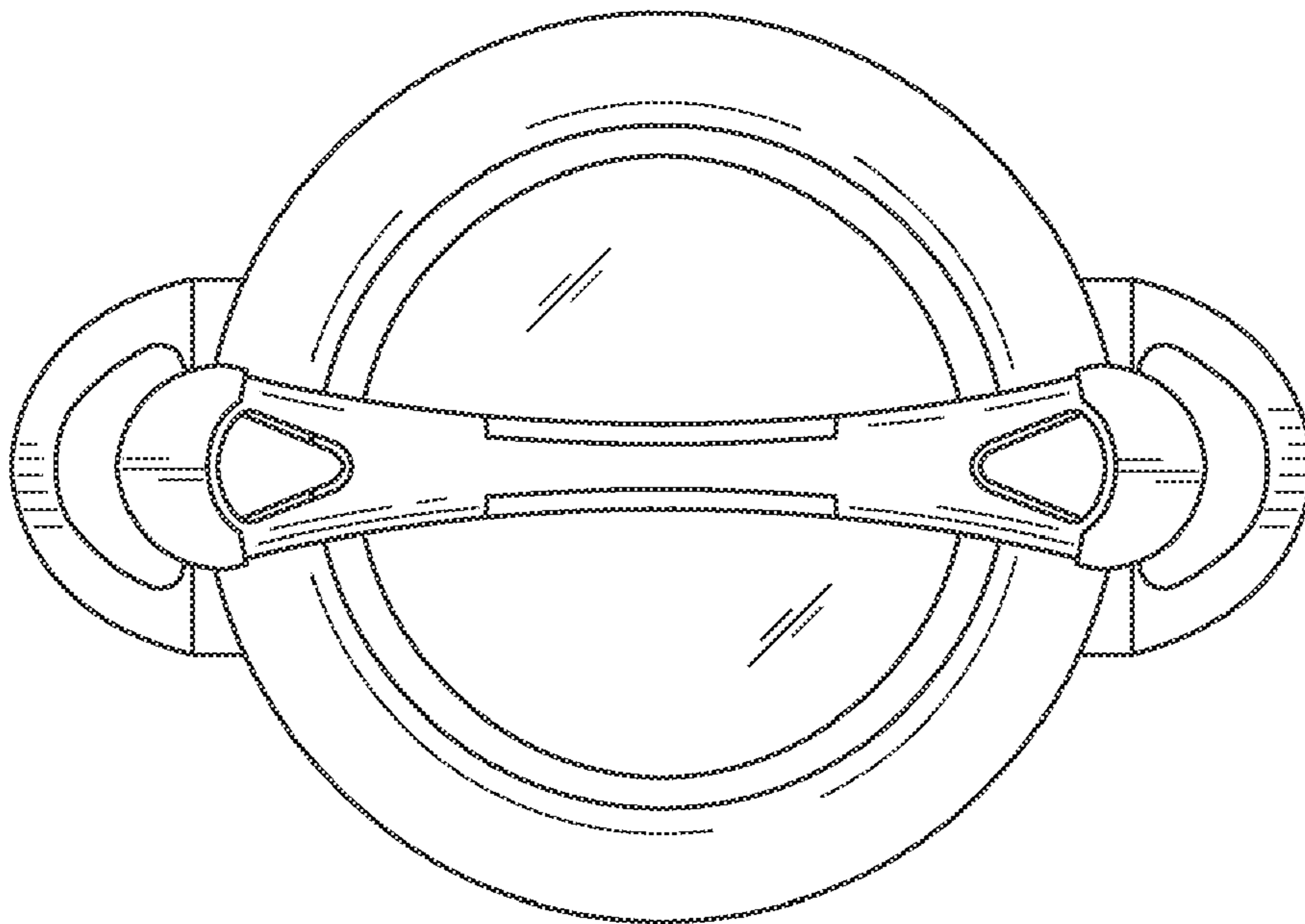


FIG. 8

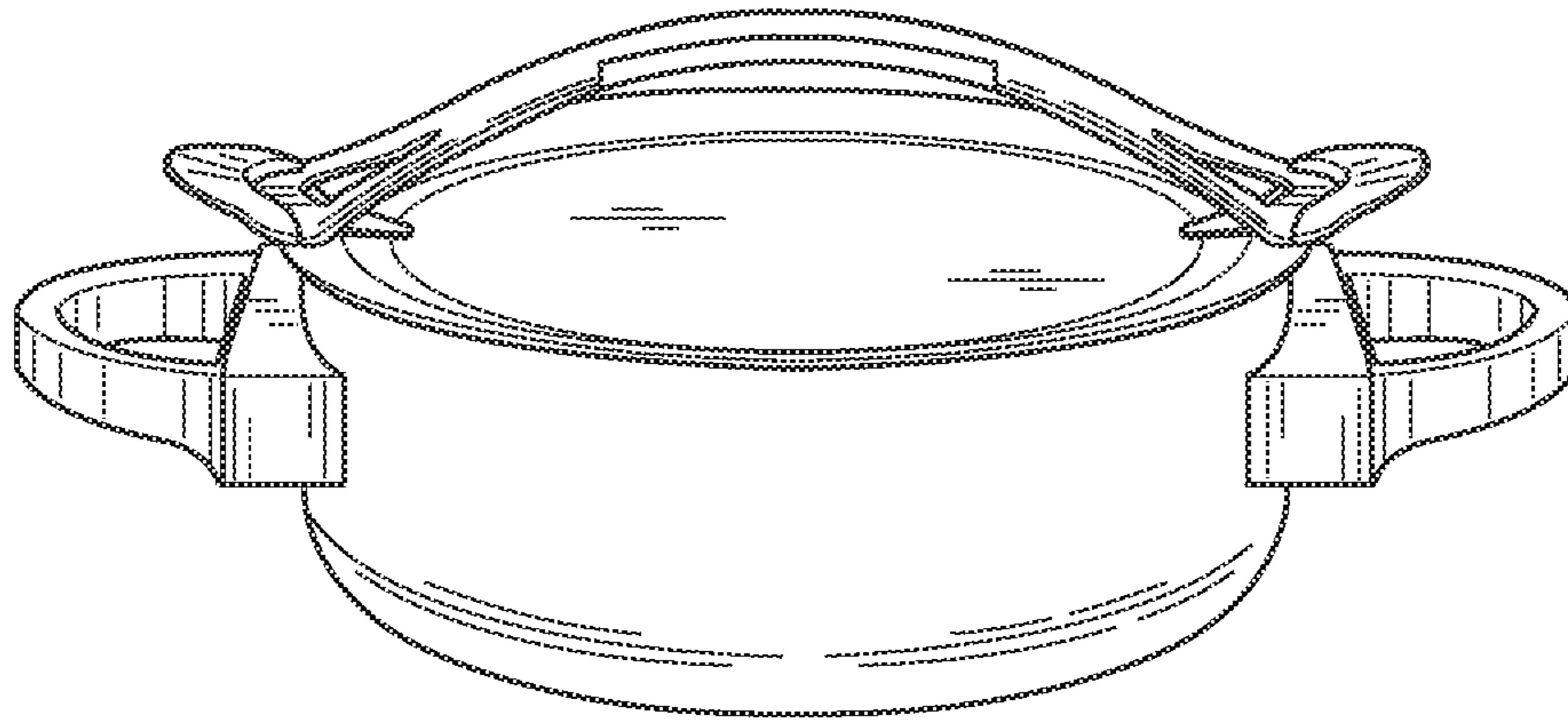


FIG. 9

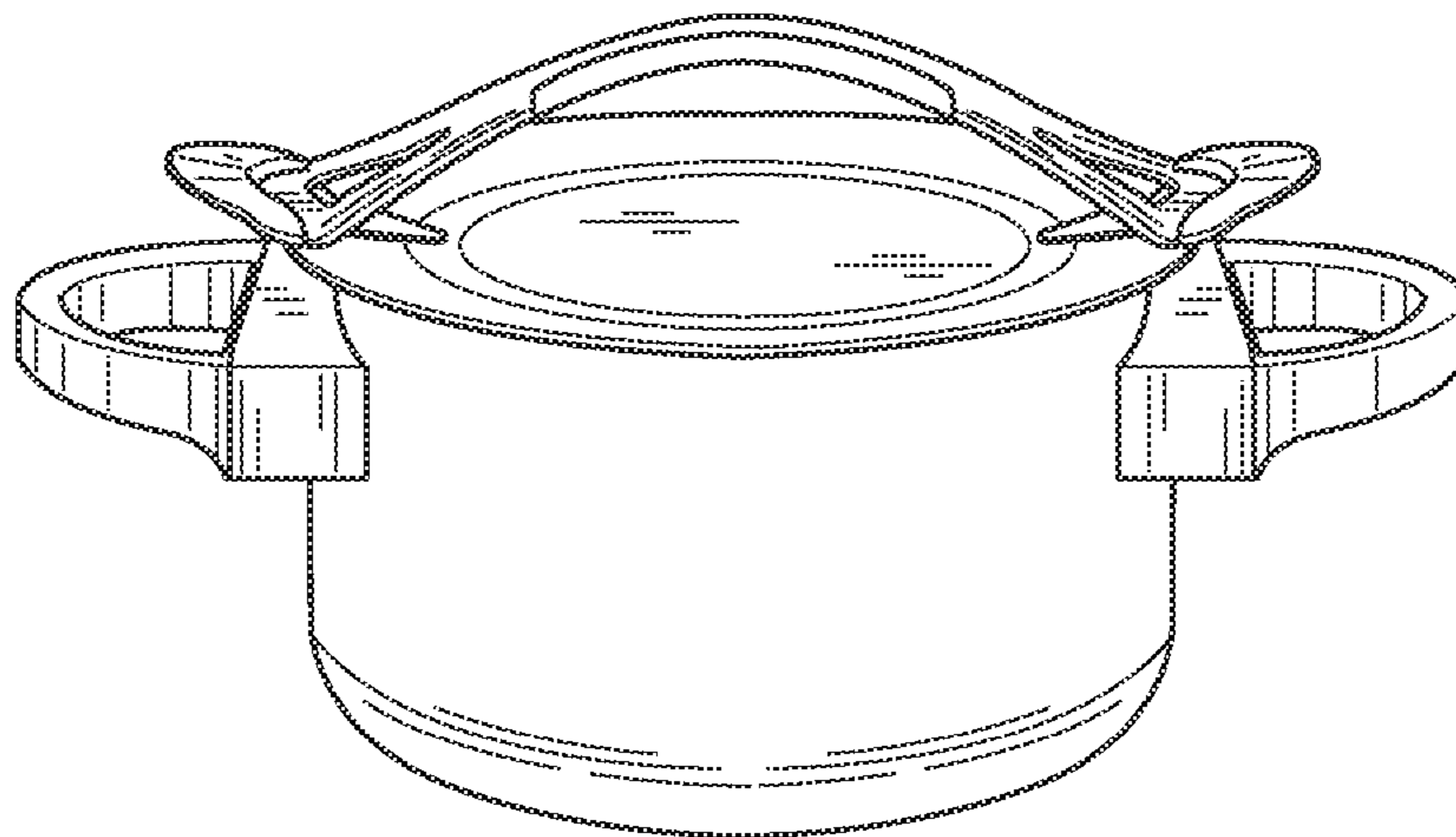


FIG. 10

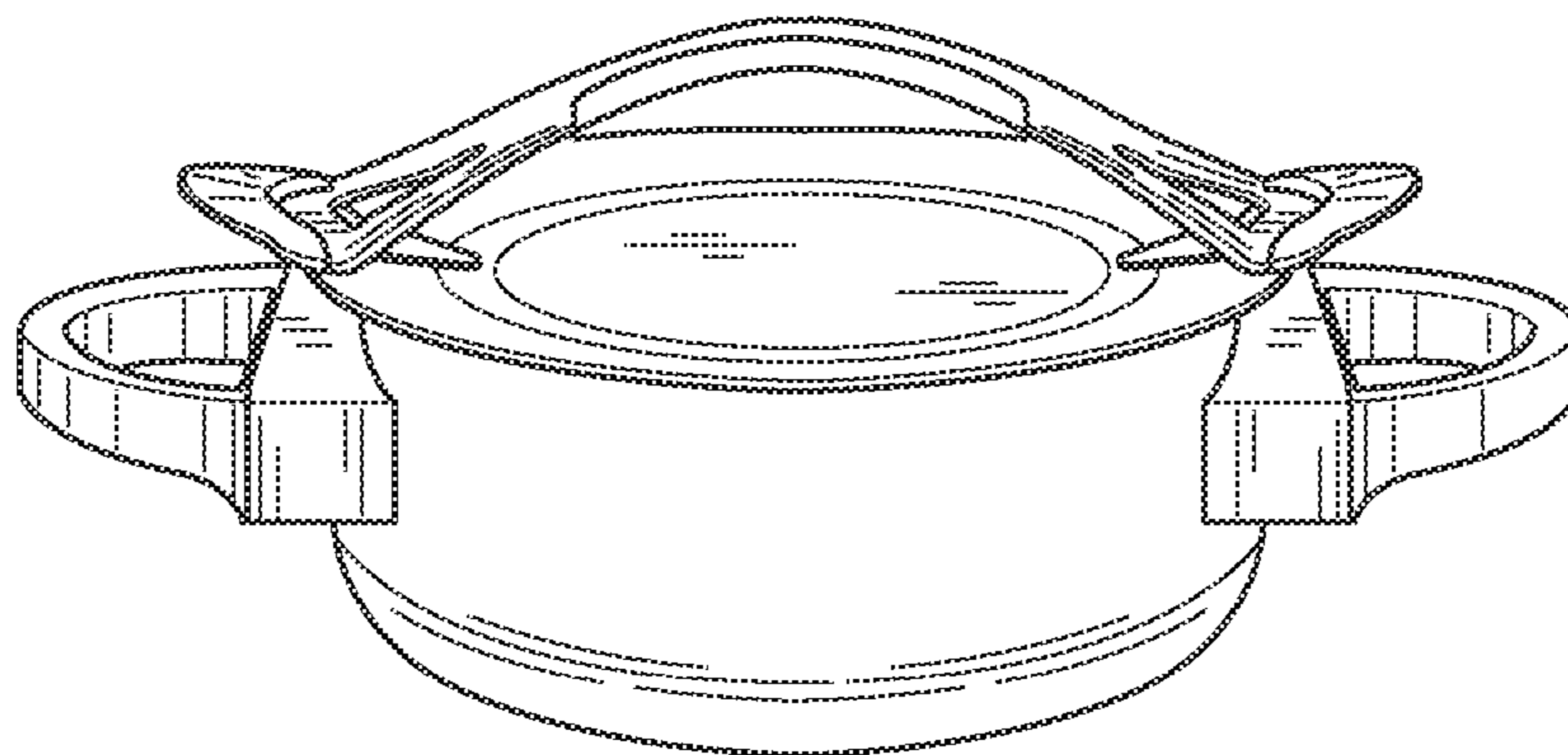


FIG. 11