



US00D641203S

(12) **United States Design Patent**
Josancy

(10) **Patent No.:** **US D641,203 S**
(45) **Date of Patent:** **** Jul. 12, 2011**

(54) **NON-ELECTRIC PRESSURE COOKER**

(75) Inventor: **Luc Josancy**, Sainte-Colombe (FR)

(73) Assignee: **SEB**, Selongey (FR)

(**) Term: **14 Years**

(21) Appl. No.: **29/377,004**

(22) Filed: **Oct. 15, 2010**

(30) **Foreign Application Priority Data**

Apr. 19, 2010 (FR) 10 2097

(51) **LOC (9) Cl.** **07-02**

(52) **U.S. Cl.** **D7/358; D7/354**

(58) **Field of Classification Search** D7/323,
D7/329-331, 339, 346-347, 350.1-350.4,
D7/354-363, 391, 393, 395, 402, 538, 542,
D7/587; 99/324-325, 331-332, 337-340,
99/369, 403-418, 444; 206/501-505, 507-508;
219/400, 405, 435-442, 620-624, 725, 730-735;
220/316, 573.1-573.5, 912; 426/438, 441
See application file for complete search history.

(56) **References Cited**

U.S. PATENT DOCUMENTS

D338,370 S * 8/1993 Takeda D7/356
5,370,259 A * 12/1994 Cartigny 220/316

D370,381 S * 6/1996 Roussard D7/358
D413,483 S * 9/1999 Roussard D7/358
D476,191 S * 6/2003 Josancy D7/358
D486,352 S * 2/2004 Park D7/358
D496,555 S * 9/2004 Rommelfanger et al. D7/360
D532,250 S * 11/2006 Roussard D7/358
D534,031 S * 12/2006 Roussard D7/358
D581,206 S * 11/2008 Roussard D7/358
D610,393 S * 2/2010 Josancy D7/358

* cited by examiner

Primary Examiner — Ricky Pham

(74) *Attorney, Agent, or Firm* — Browdy and Neimark, PLLC

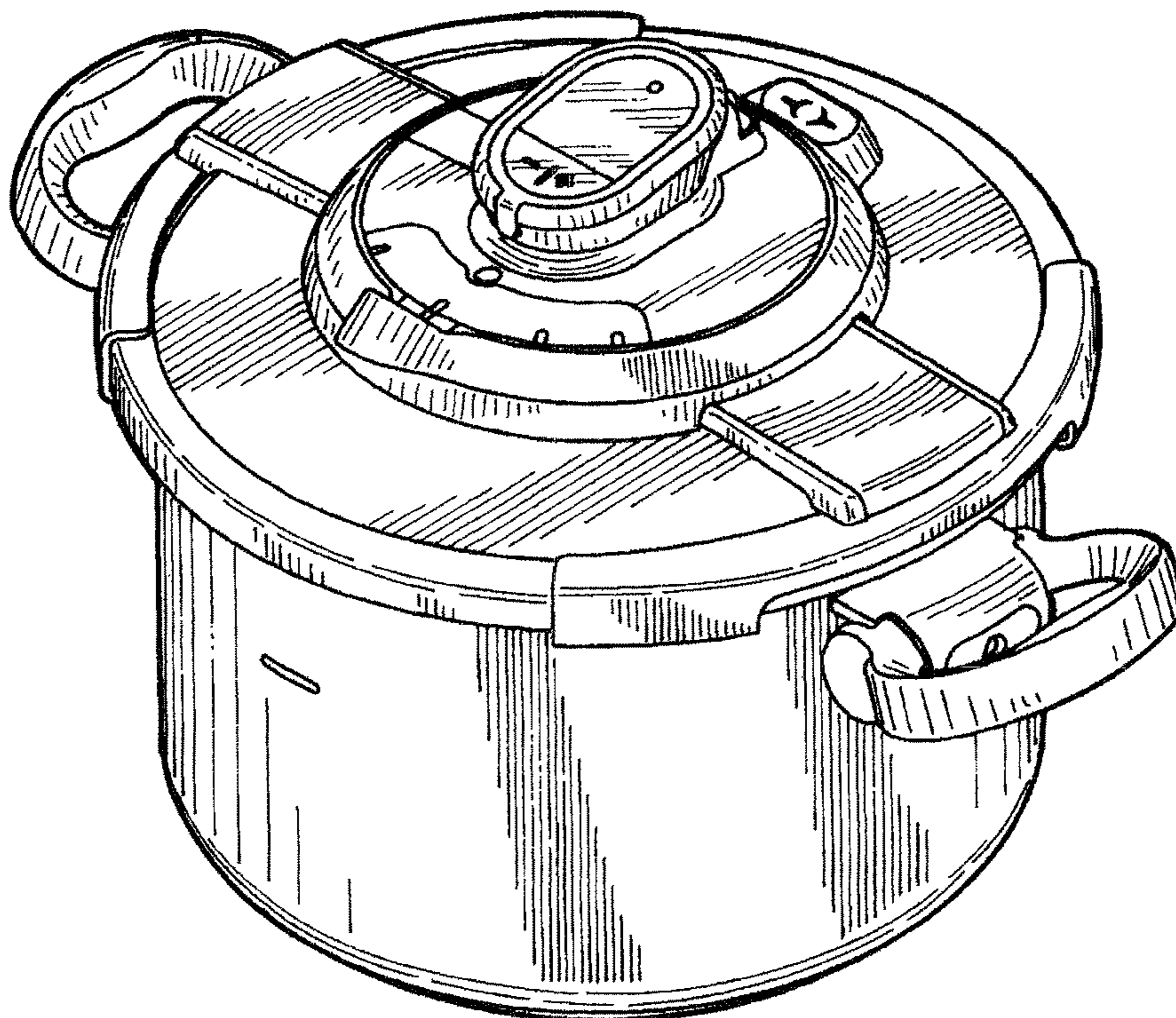
(57) **CLAIM**

The ornamental design for a non-electric pressure cooker, as shown.

DESCRIPTION

FIG. 1 is a front elevational view of a non-electric pressure cooker in accordance with the present design; FIG. 2 is a back elevational view thereof; FIG. 3 is a left side elevational view thereof; FIG. 4 is a right side elevational view thereof; FIG. 5 is a top plan view thereof; FIG. 6 is a bottom plan view thereof; and, FIG. 7 is a perspective view thereof.

1 Claim, 7 Drawing Sheets



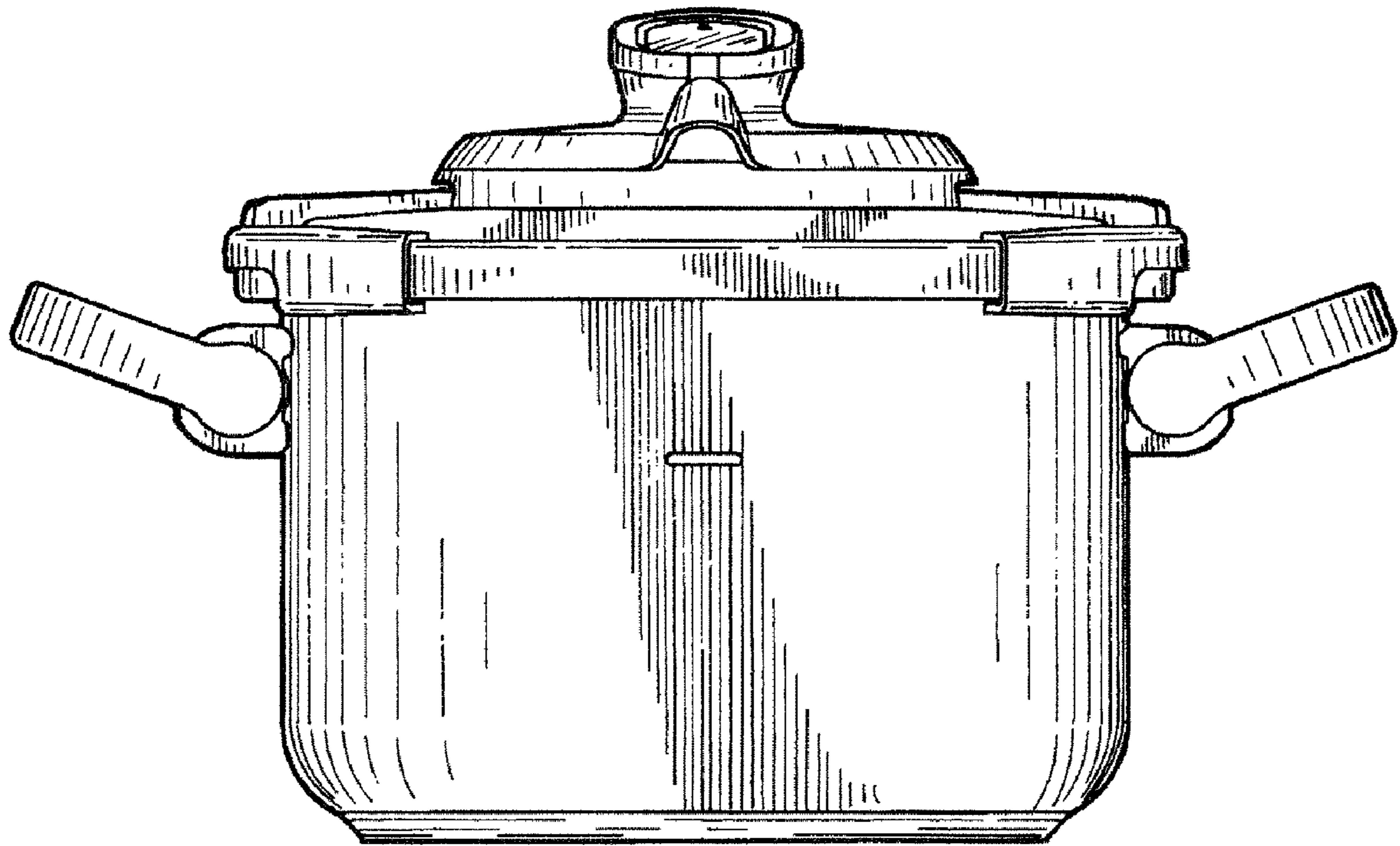


Fig.1

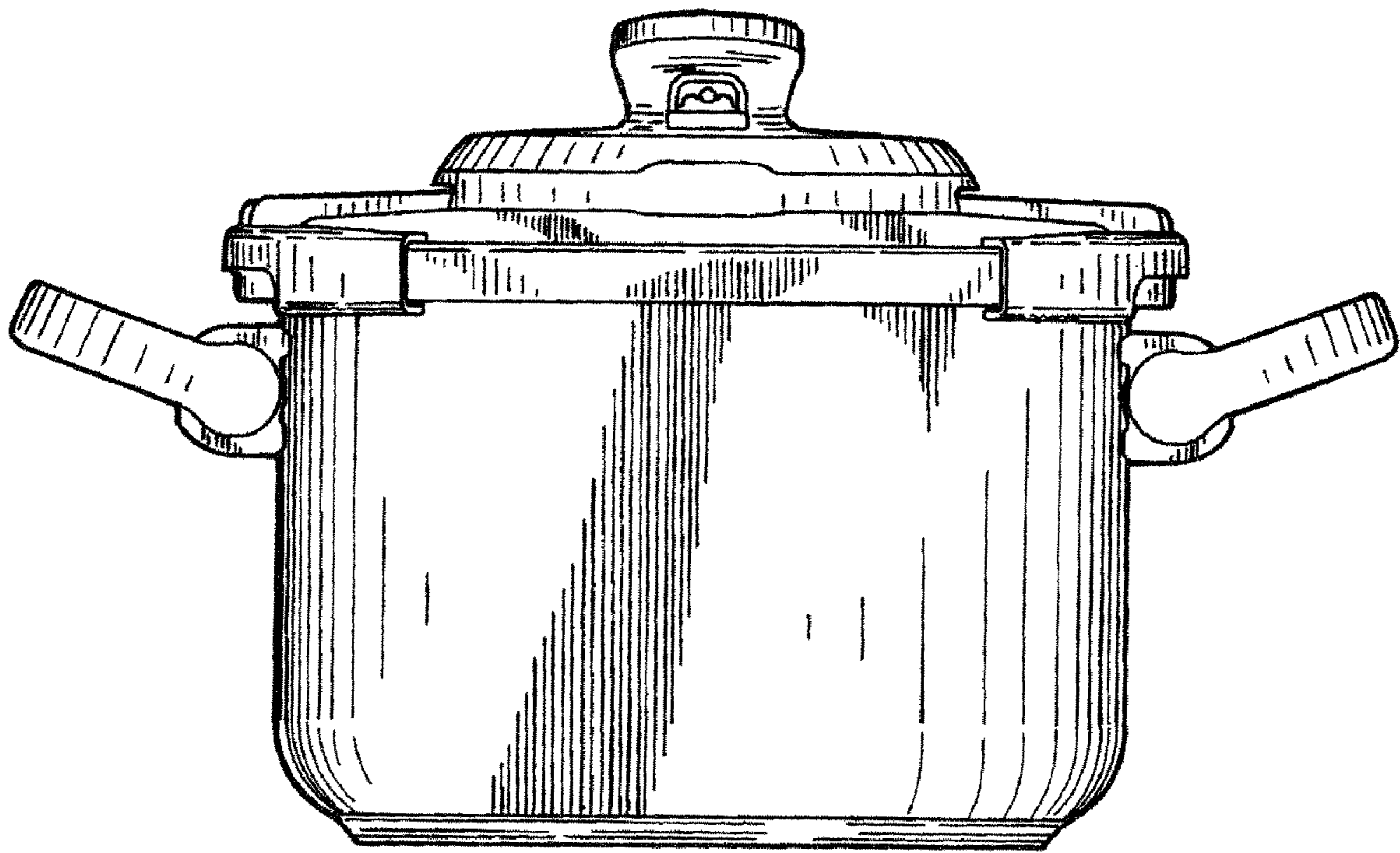


Fig.2

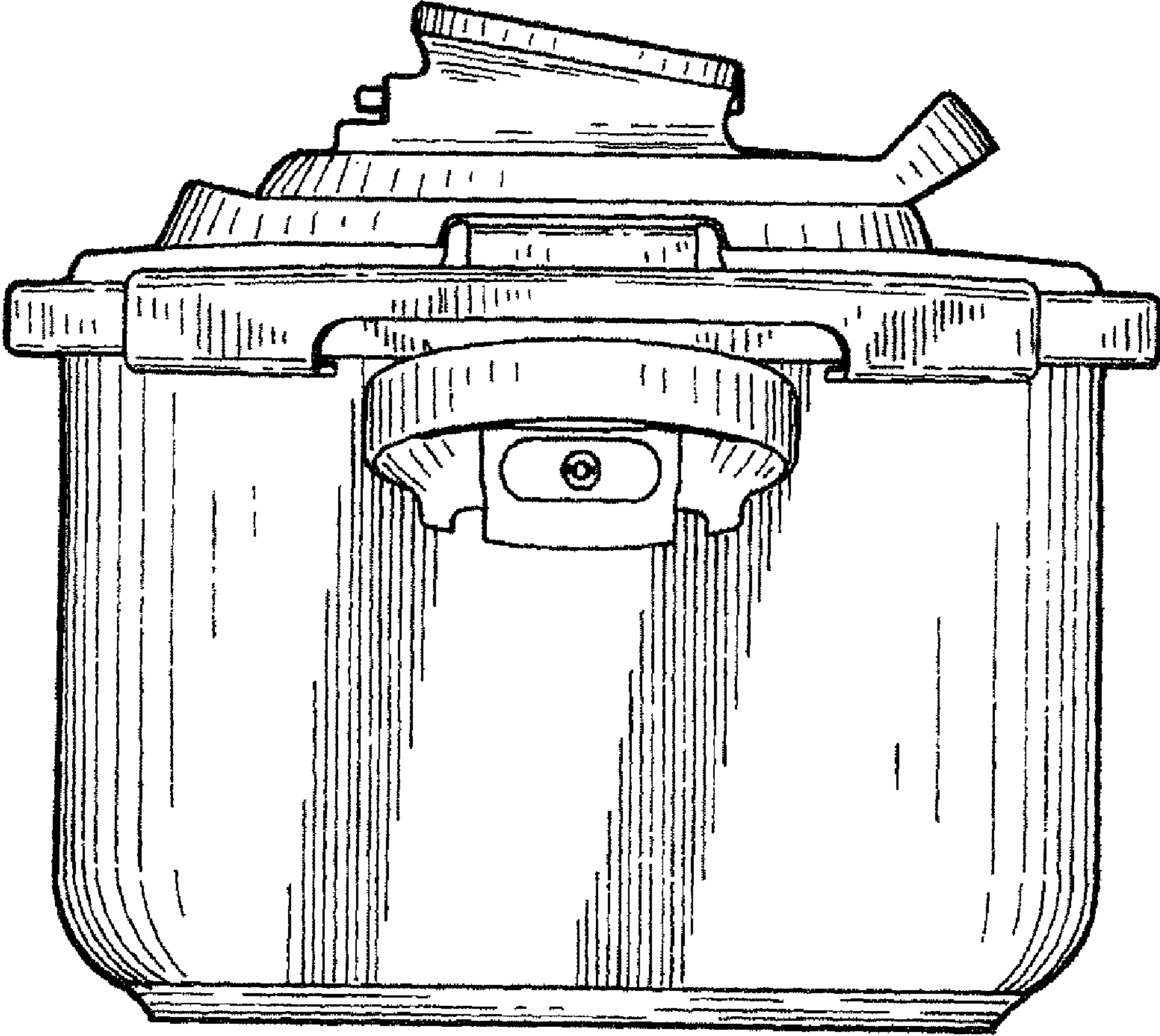


Fig.3

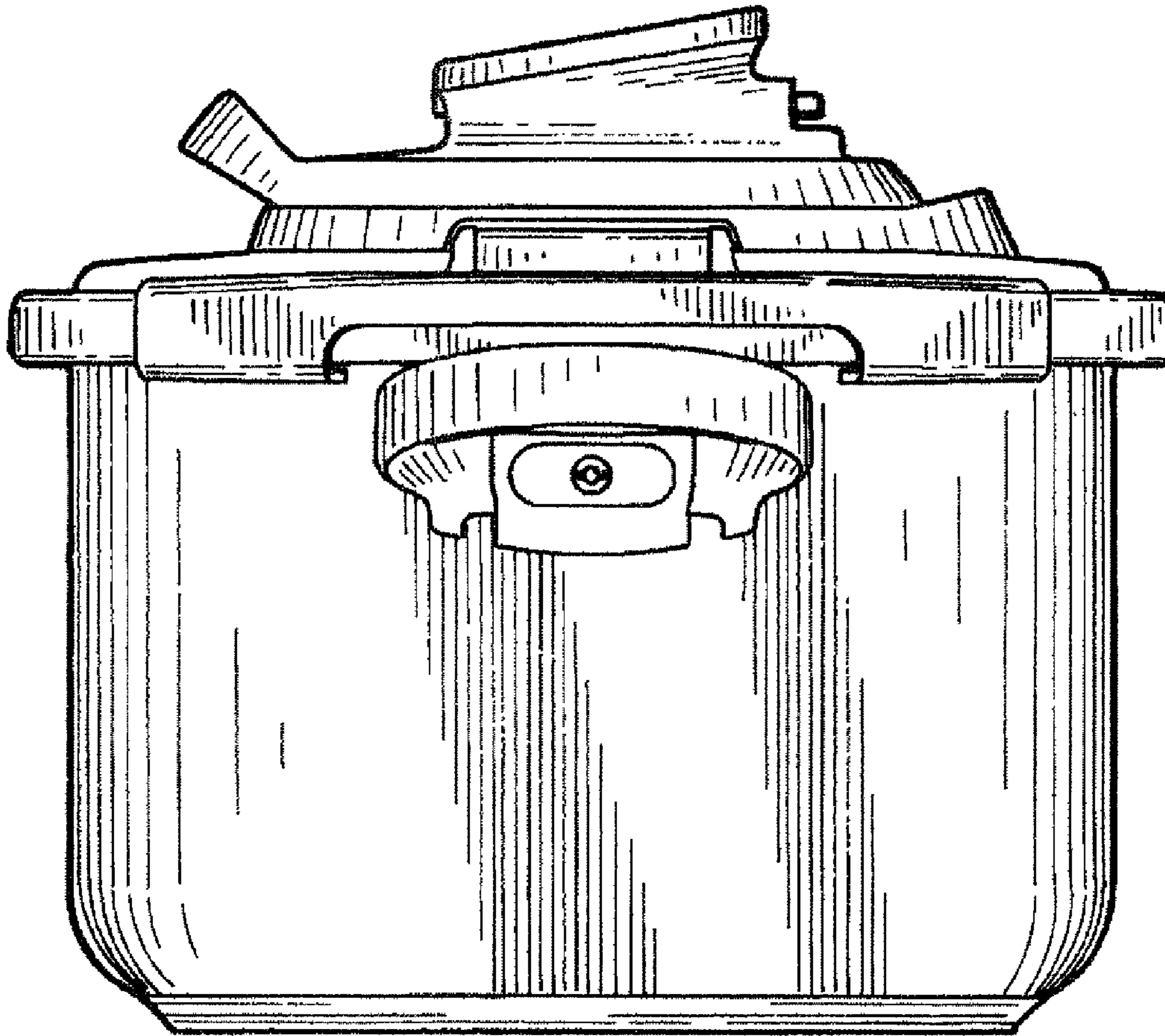


Fig.4

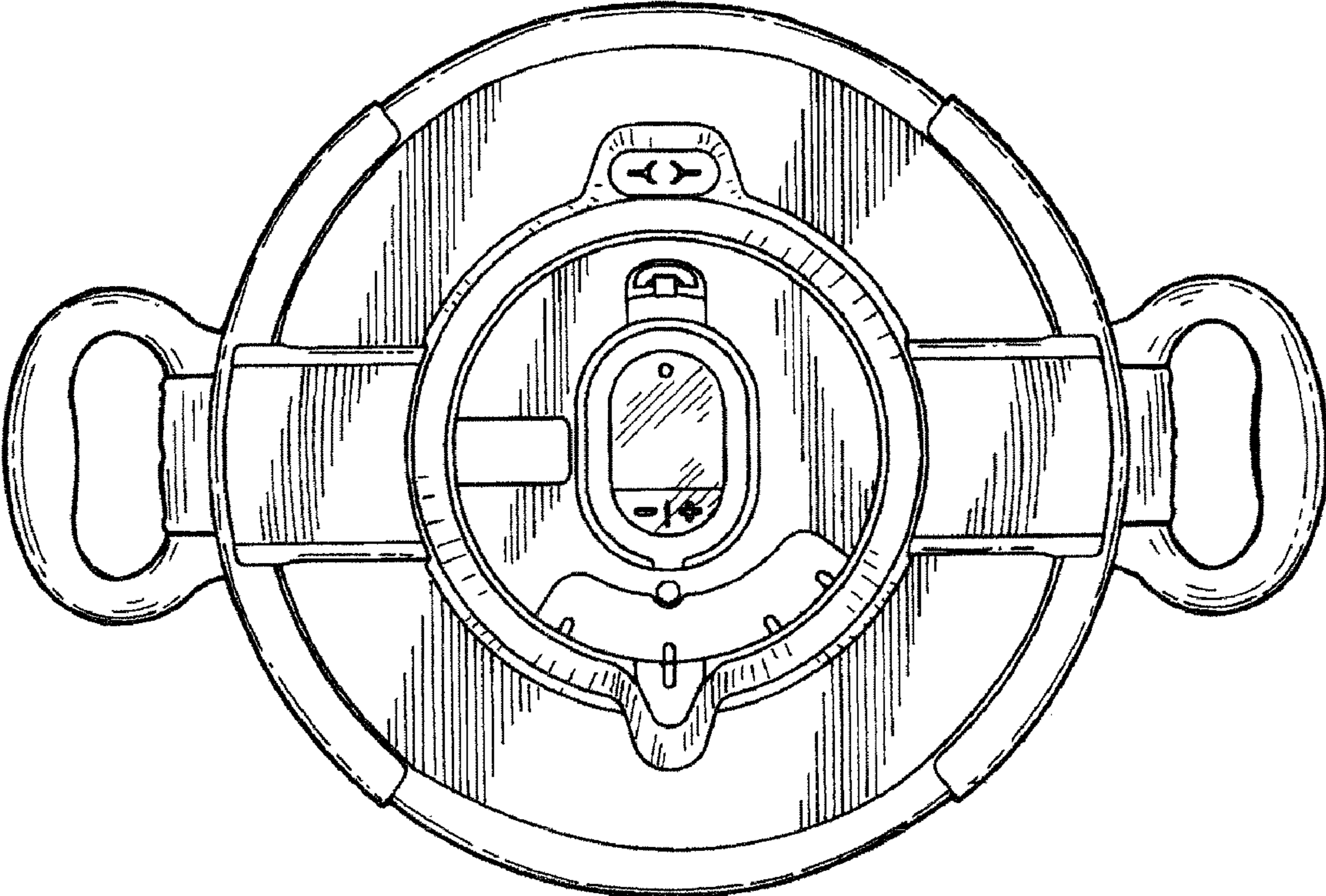


Fig.5

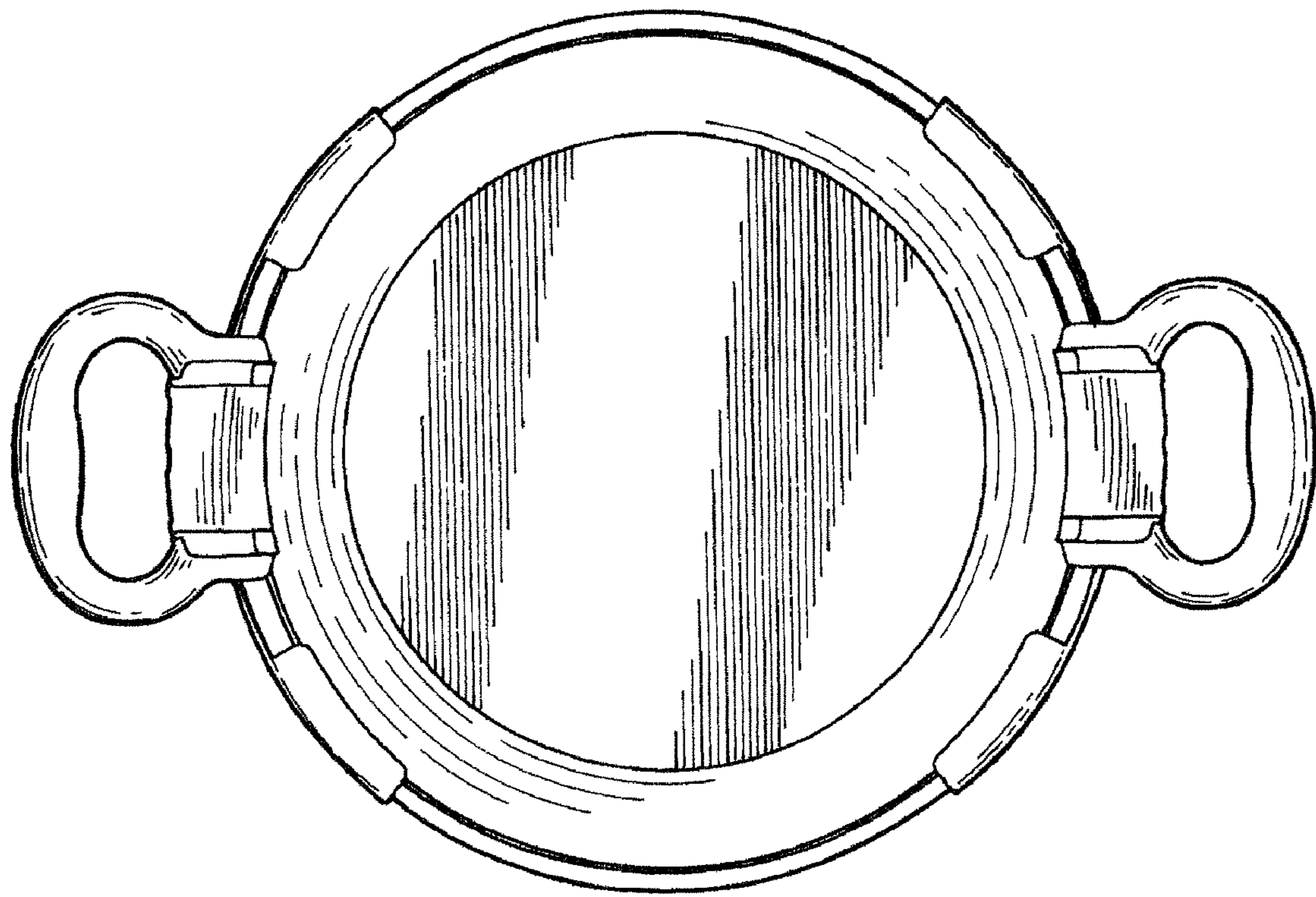


Fig.6

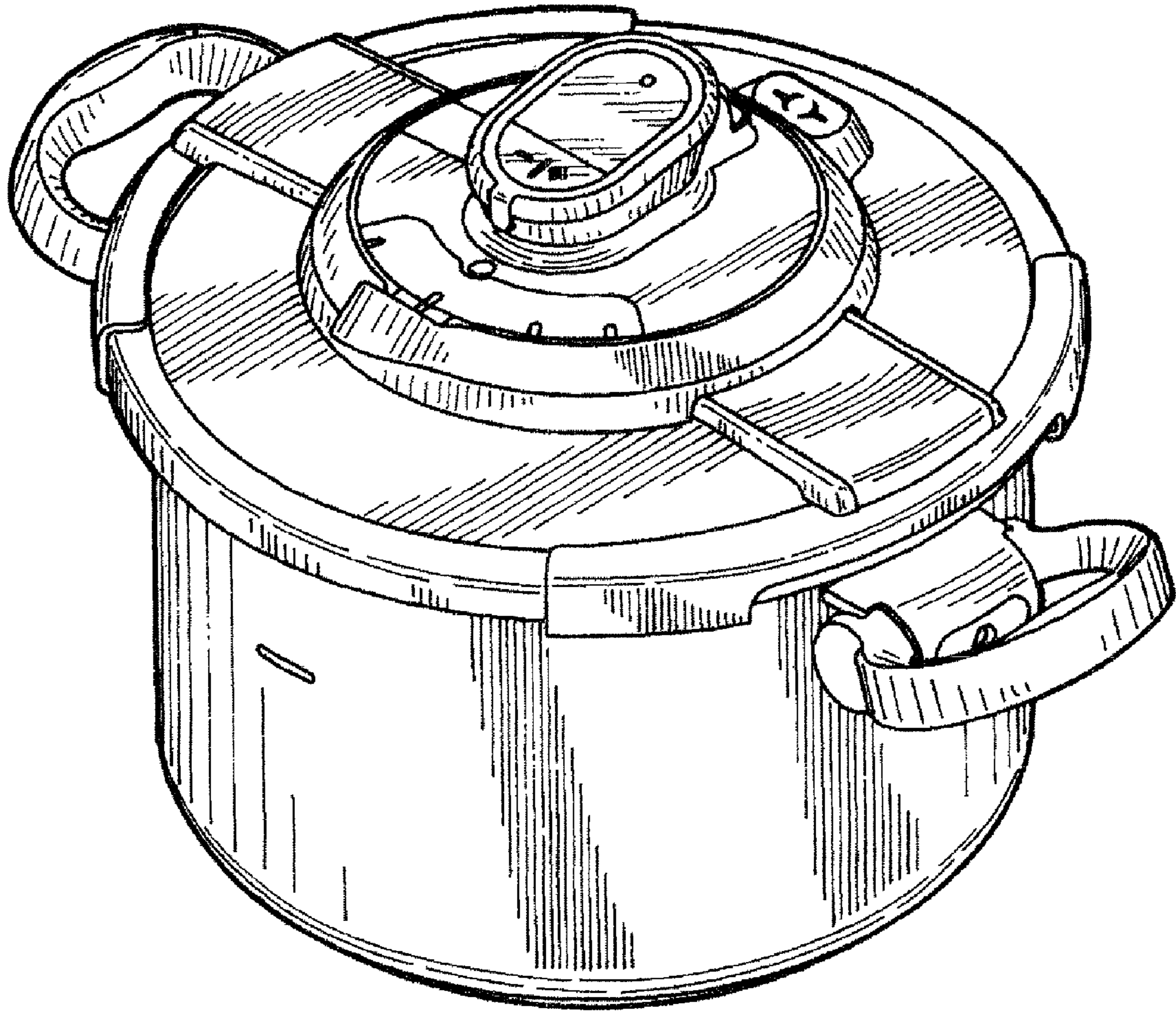


Fig.7