



US00D641202S

(12) **United States Design Patent**  
**Bock et al.**

(10) **Patent No.:** **US D641,202 S**  
(45) **Date of Patent:** **\*\* Jul. 12, 2011**

- (54) **SLOW COOKER**
- (75) Inventors: **Brian Bock**, Midlothian, VA (US);  
**Mark C. Steiner**, Midlothian, VA (US)
- (73) Assignee: **Hamilton Beach Brands, Inc.**, Glen  
Allen, VA (US)
- (\*\*) Term: **14 Years**
- (21) Appl. No.: **29/386,813**
- (22) Filed: **Mar. 4, 2011**
- (51) **LOC (9) Cl.** ..... **07-02**
- (52) **U.S. Cl.** ..... **D7/357; D7/354**
- (58) **Field of Classification Search** ..... D7/323,  
D7/329-331, 339, 346-347, 350.1-350.4,  
D7/354-366, 391, 393, 395, 402, 406, 538,  
D7/542, 587; 99/324-325, 331-332, 337-340,  
99/369, 403-418, 422, 444, 483; 126/37 R,  
126/261, 378.1; 206/501-505, 507-508;  
219/400, 405, 429-442, 620-624, 725, 730-735;  
220/315, 573.1-573.5, 912; 426/438, 441  
See application file for complete search history.

- 6,186,053 B1 2/2001 Nakano et al.
- D444,993 S 7/2001 Dobson
- 6,262,398 B1 7/2001 Busquets et al.
- 6,274,847 B1 8/2001 Hlava et al.
- 6,283,014 B1 9/2001 Ng et al.
- D450,528 S 11/2001 Rossman
- 6,486,446 B1 11/2002 Kao
- RE37,988 E 2/2003 Uss
- 6,530,232 B1 3/2003 Kitchens
- 6,570,139 B1 5/2003 Levy et al.
- 6,571,564 B2 6/2003 Upadhye et al.
- 6,587,739 B1 7/2003 Abrams et al.
- 6,591,615 B1 7/2003 Luo
- 6,612,115 B2 9/2003 Luo
- 6,615,706 B1 9/2003 Wu
- 6,698,923 B2 3/2004 Bedetti et al.
- 6,730,889 B1 5/2004 Jones-Lawlor
- 6,756,567 B1 6/2004 Suen
- 6,763,665 B2 7/2004 Clark et al.
- 6,812,437 B2 11/2004 Levy et al.
- 6,818,867 B2 11/2004 Kressmann

(Continued)

*Primary Examiner* — Ricky Pham  
(74) *Attorney, Agent, or Firm* — Alexander D. Raring

(57) **CLAIM**  
The ornamental design for a slow cooker, as shown and described.

(56) **References Cited**

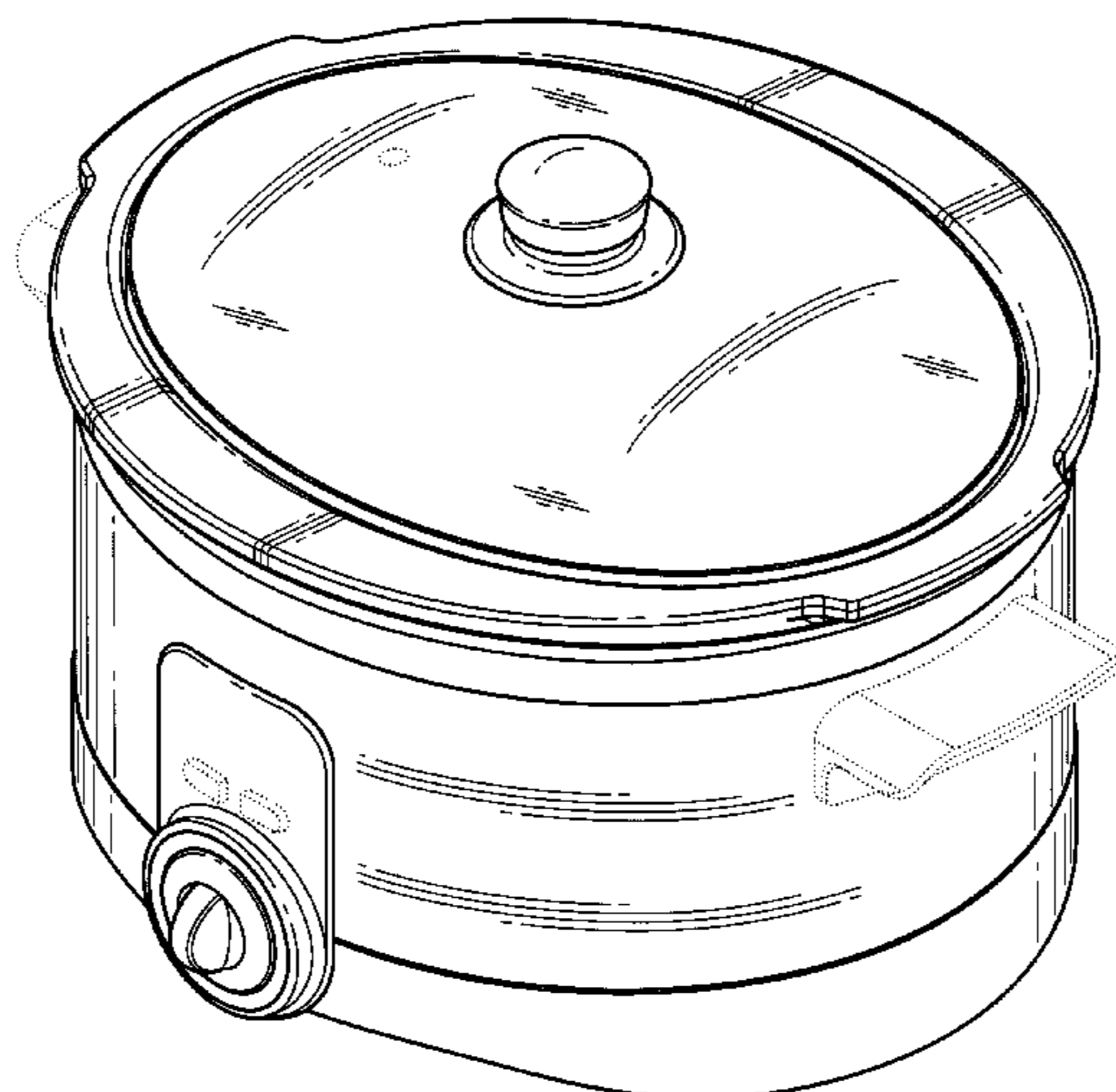
U.S. PATENT DOCUMENTS

- 5,140,134 A 8/1992 Reusche et al.
- 5,142,969 A 9/1992 Chun
- 5,263,115 A 11/1993 Kauo et al.
- 5,345,063 A 9/1994 Reusche et al.
- 5,398,599 A 3/1995 Woo
- 5,476,672 A 12/1995 Kim
- 5,771,788 A 6/1998 Lee et al.
- 5,827,556 A 10/1998 Maher, Jr.
- 5,892,206 A 4/1999 Higgins
- D420,246 S \* 2/2000 Alonge et al. .... D7/360
- D420,247 S 2/2000 Kaney
- D425,360 S \* 5/2000 Dobson et al. .... D7/360
- D429,596 S \* 8/2000 Hlava et al. .... D7/360
- D433,869 S \* 11/2000 Wong et al. .... D7/360
- D434,940 S 12/2000 Hlava

**DESCRIPTION**

FIG. 1 is a perspective view as seen from the top, front and right side of a slow cooker showing the new design; FIG. 2 is a front view thereof; FIG. 3 is a rear view thereof; FIG. 4 is a left side view thereof, the left and right views being the same; FIG. 5 is a top view thereof; and, FIG. 6 is a bottom view thereof. The broken lines in the drawings are included for illustrative purposes only and form no part of the claimed design.

**1 Claim, 6 Drawing Sheets**



# US D641,202 S

Page 2

---

U.S. PATENT DOCUMENTS							
6,904,969	B2	6/2005	Mueller et al.	7,605,349	B2 *	10/2009	Gaynor et al. .... 219/442
6,909,072	B2	6/2005	Wu	D606,803	S *	12/2009	Picozza et al. .... D7/354
D520,806	S	5/2006	Ryan	D611,758	S	3/2010	Seymour
D537,670	S *	3/2007	Genslak et al. .... D7/354	D618,040	S	6/2010	Hoff
7,287,386	B2	10/2007	Upadhye et al.	D620,744	S	8/2010	Rose
7,291,812	B2 *	11/2007	Kaney et al. .... 219/435	D628,849	S *	12/2010	Tetreault et al. .... D7/357
D556,504	S *	12/2007	Averty ..... D7/360	D635,818	S *	4/2011	Tse ..... D7/357
D590,654	S *	4/2009	Perkins et al. .... D7/354	2004/0079747	A1 *	4/2004	Wang ..... 219/438

\* cited by examiner

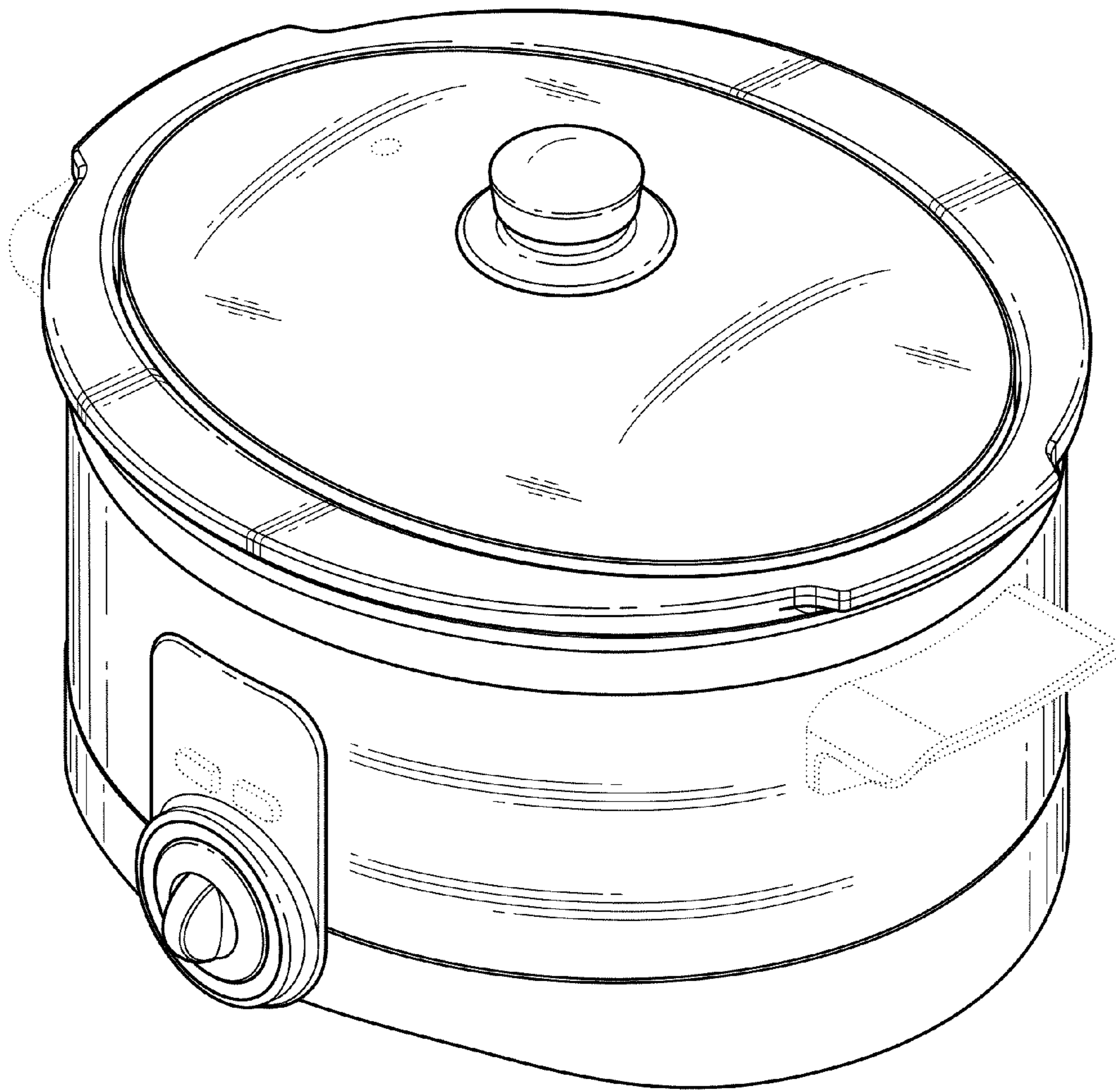


FIG. 1

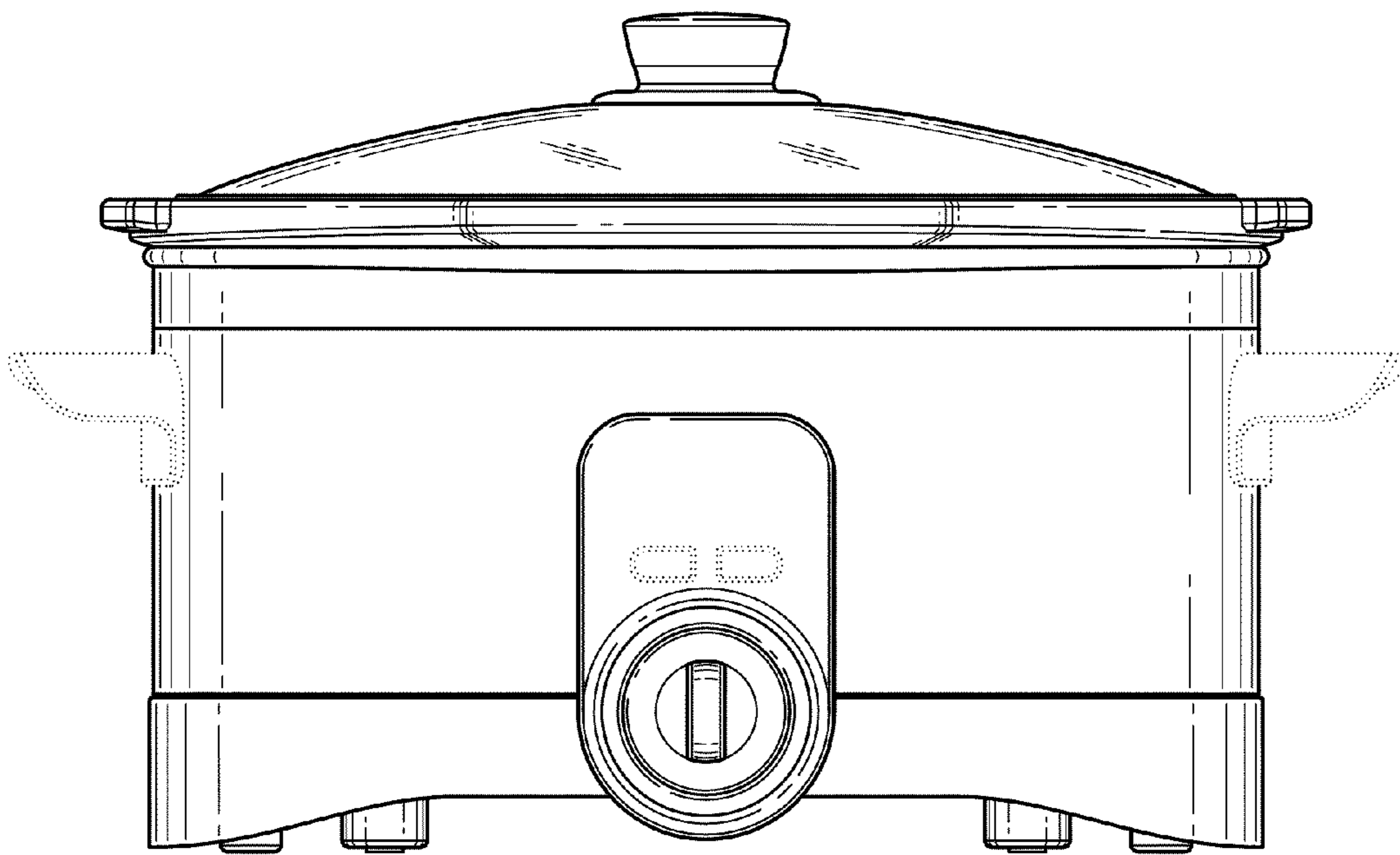
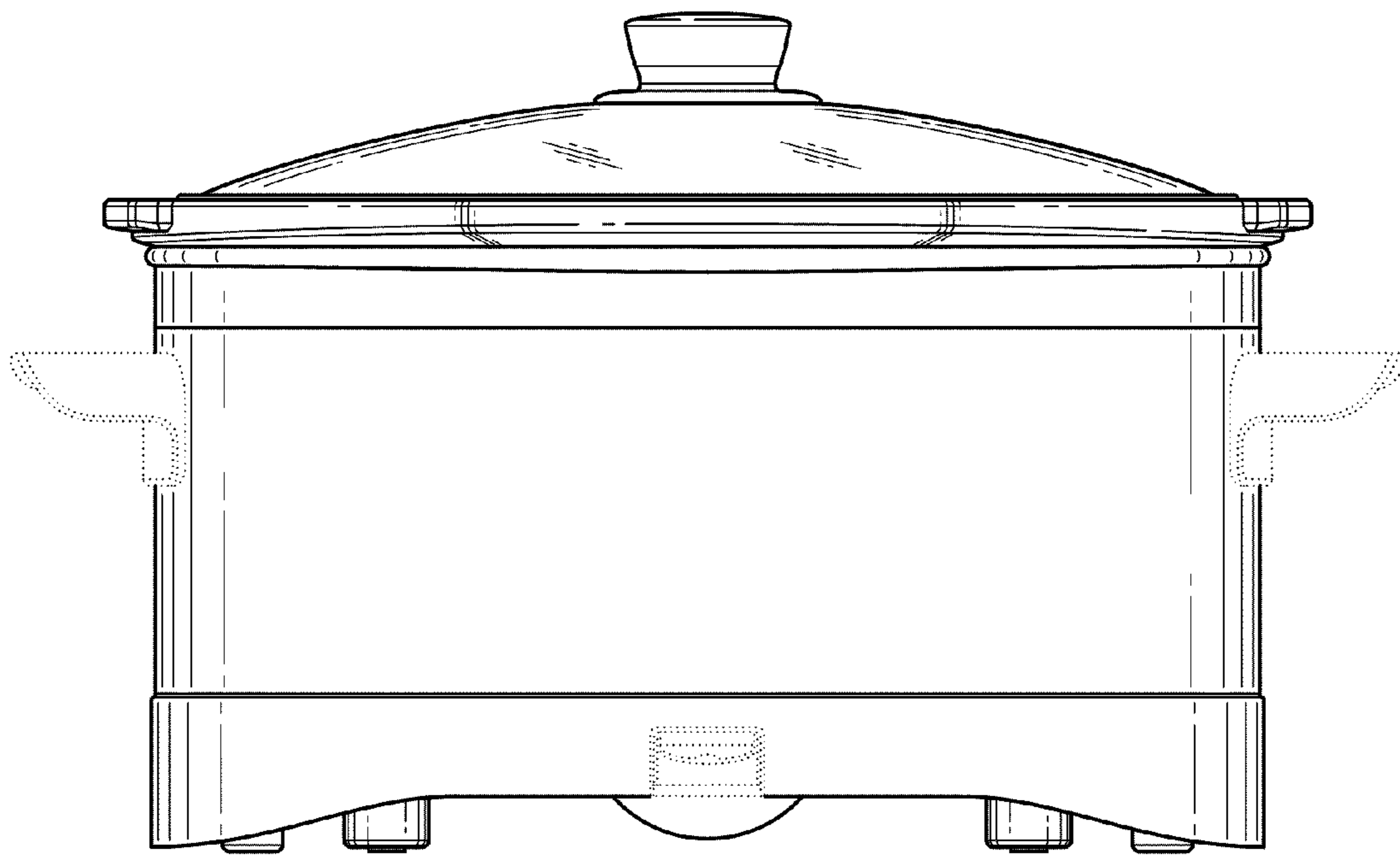
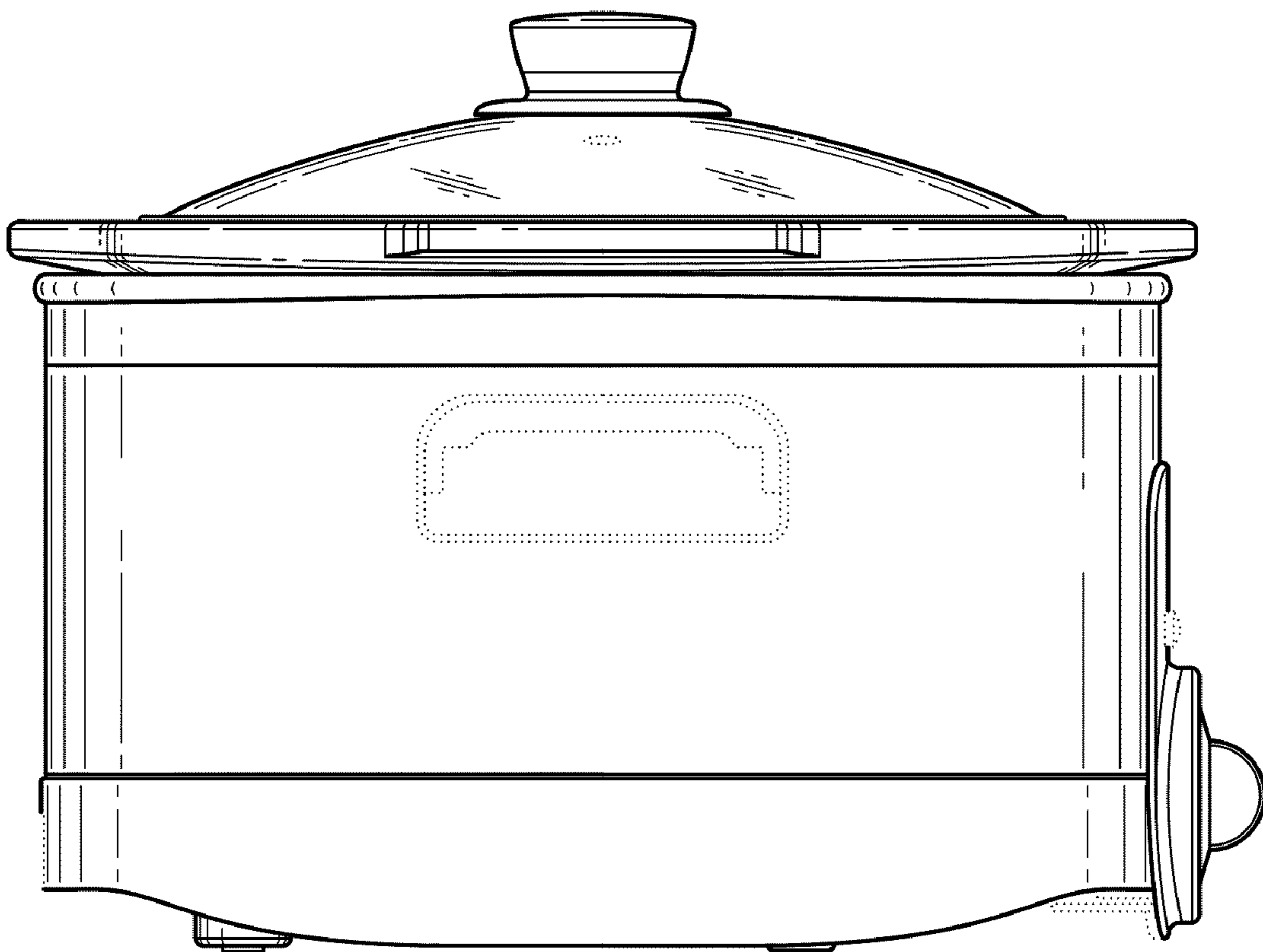


FIG. 2



*FIG. 3*





**FIG. 4**

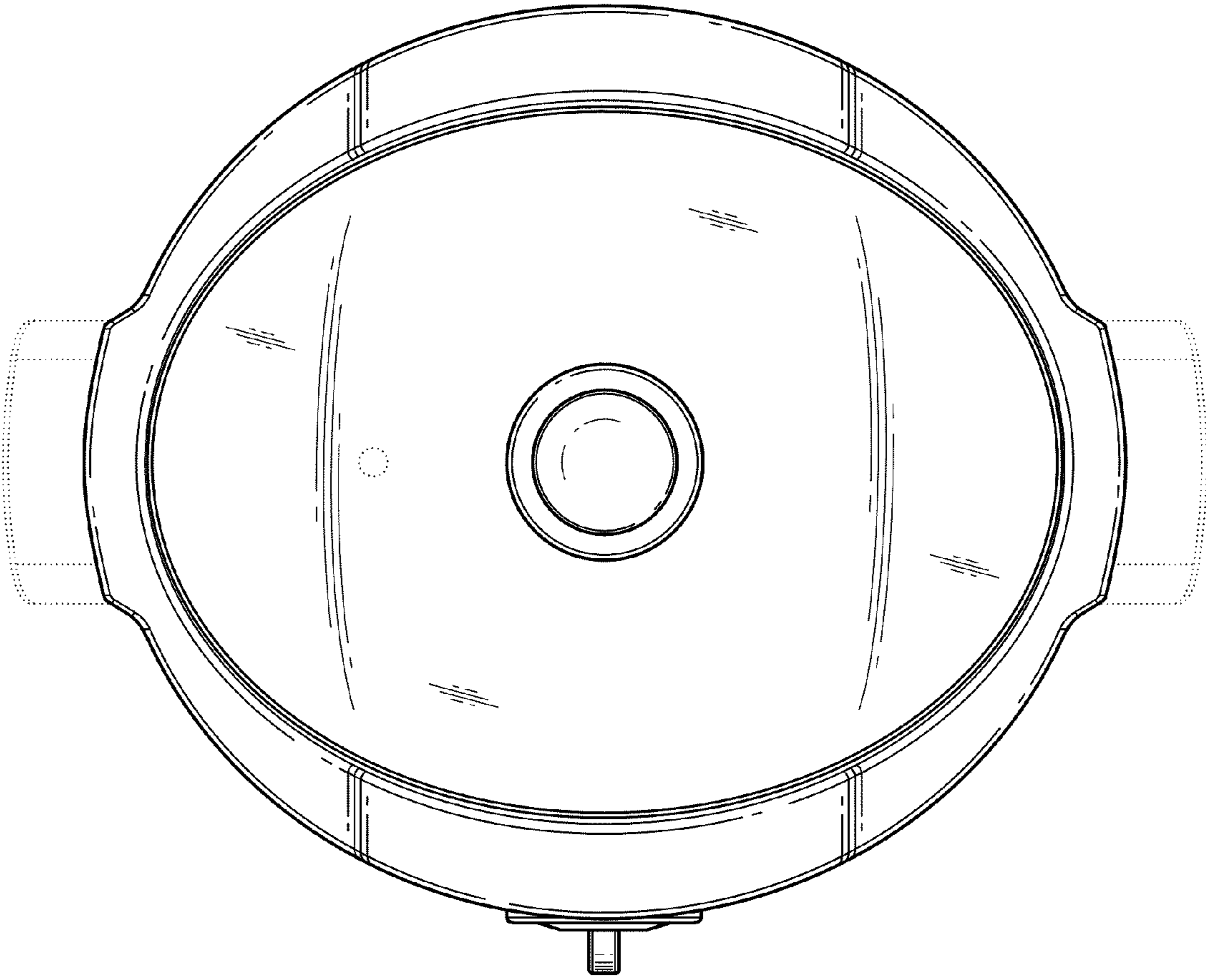


FIG. 5

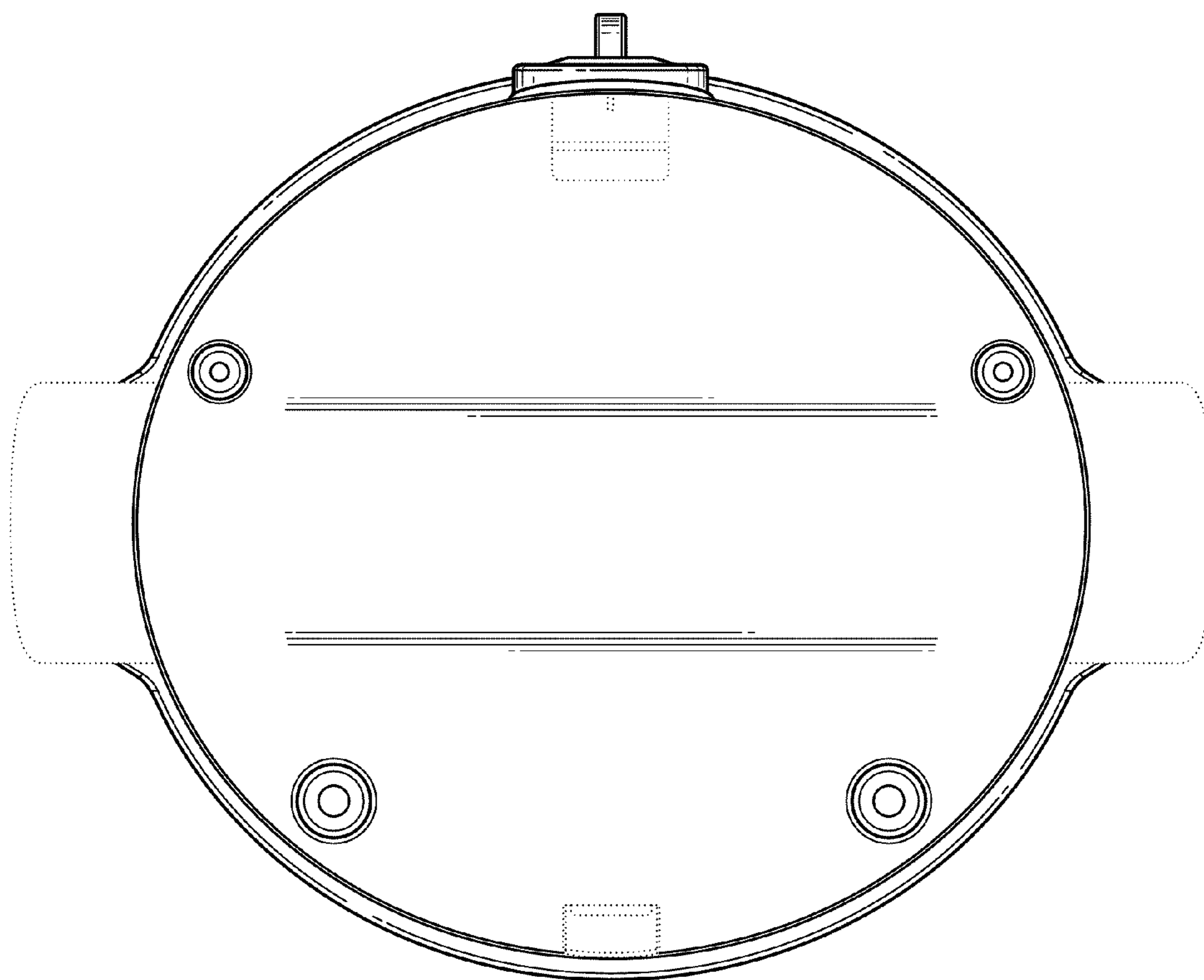


FIG. 6