



US00D641201S

(12) **United States Design Patent**
Molayem

(10) **Patent No.:** **US D641,201 S**

(45) **Date of Patent:** **** Jul. 12, 2011**

(54) **STACKING SET OF COOKWARE**

(75) **Inventor:** **Daryoosh Molayem**, Beverly Hills, CA (US)

(73) **Assignee:** **Tabletops Unlimited, Inc.**, Carson, CA (US)

(**) **Term:** **14 Years**

(21) **Appl. No.:** **29/365,736**

(22) **Filed:** **Jul. 14, 2010**

(51) **LOC (9) Cl.** **07-02**

(52) **U.S. Cl.** **D7/356; D7/354; D7/357**

(58) **Field of Classification Search** D7/309, D7/323, 329-331, 339, 346-347, 350.1-350.4, D7/354-363, 402; D10/46.3; 73/426; 99/324-325, 99/331-332, 337-340, 369, 403-418, 444; 206/501-505, 507-508; 219/405, 435-442, 219/620-624, 725, 730-735; 220/573.1-573.5, 220/912; 426/438, 441

See application file for complete search history.

(56) **References Cited**

U.S. PATENT DOCUMENTS

211,202	A	1/1879	Whitney et al.	
4,222,493	A	9/1980	Friedman	
D281,214	S *	11/1985	Schaller	D7/356
5,253,758	A	10/1993	Bissell, II	
5,287,798	A *	2/1994	Takeda	99/413
D349,420	S	8/1994	Hasuike	
5,662,026	A *	9/1997	Prakasa	99/413
D396,600	S *	8/1998	Otero	D7/356
5,816,139	A *	10/1998	Scorta Paci	99/413
D414,375	S	9/1999	Diulus	

5,957,038	A	9/1999	Shimazaki	
5,974,953	A *	11/1999	Messerli	99/340
6,055,901	A *	5/2000	Gantos et al.	99/412
D435,392	S *	12/2000	Jo	D7/356
6,167,799	B1 *	1/2001	Macias	99/413
6,443,053	B1 *	9/2002	Rossi	99/340
6,546,849	B1	4/2003	Shimazaki	
6,568,314	B1	5/2003	Stepanova	
D552,410	S *	10/2007	Hoff et al.	D7/356
7,617,948	B2	11/2009	Cheng	
D618,040	S *	6/2010	Hoff et al.	D7/356
2004/0216620	A1 *	11/2004	Quiggins et al.	99/413
2007/0119744	A1	5/2007	Metaxatos et al.	
2008/0179211	A1	7/2008	Kutsch et al.	

* cited by examiner

Primary Examiner — Ricky Pham

(74) *Attorney, Agent, or Firm* — Blakely, Sokoloff, Taylor & Zafman LLP

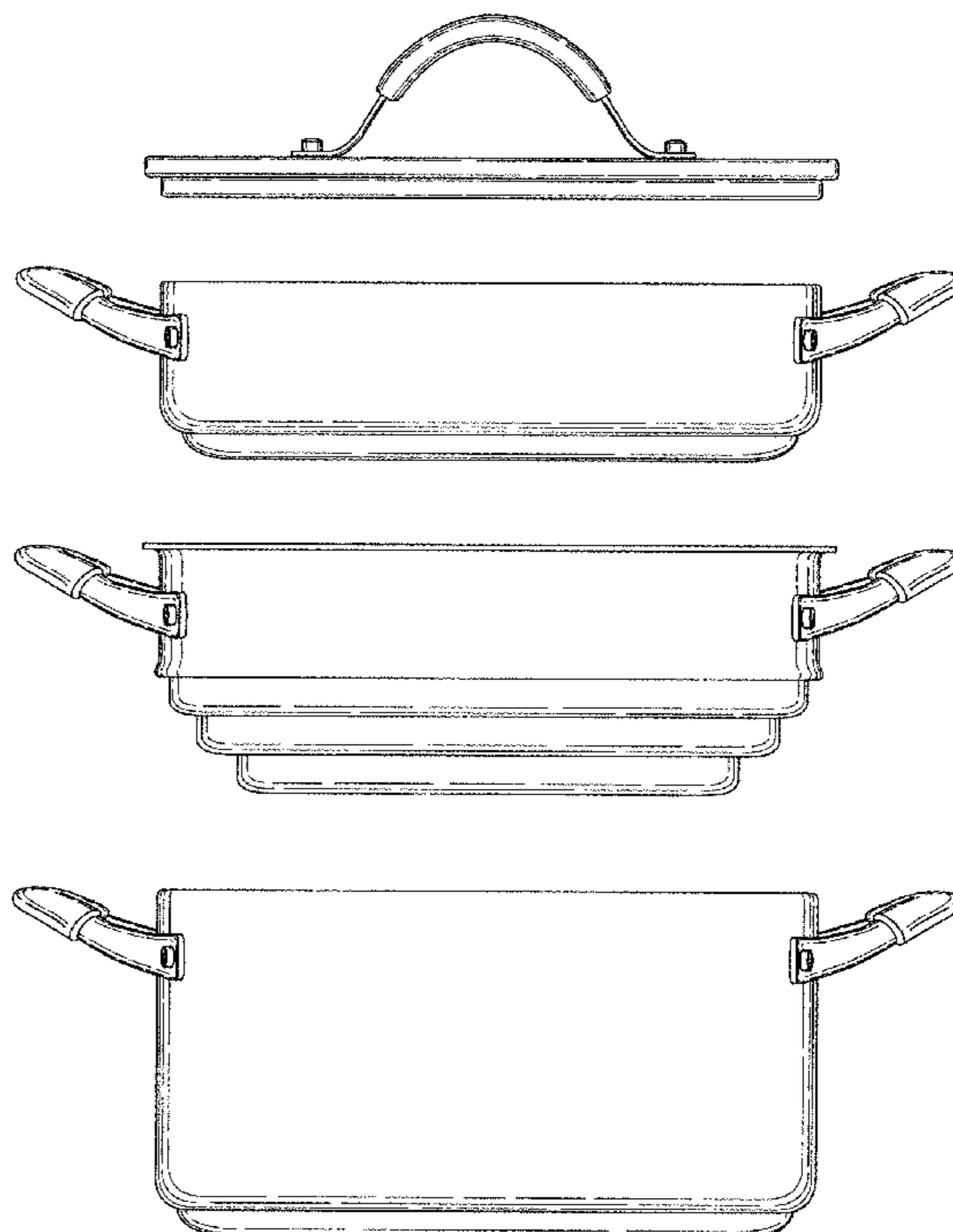
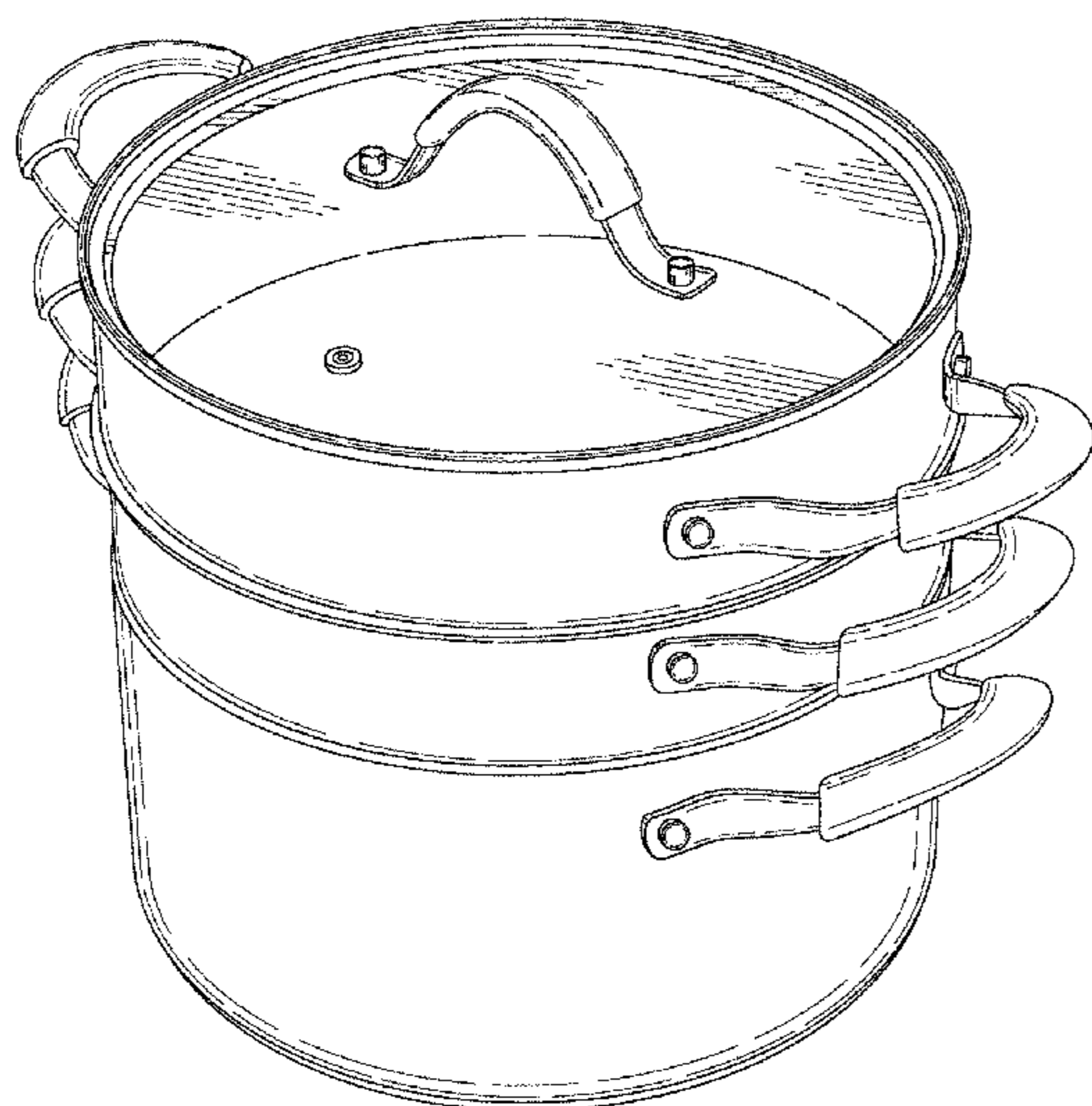
(57) **CLAIM**

The ornamental design for a stacking set of cookware, as shown and described.

DESCRIPTION

FIG. 1 is a perspective view of my new design; FIG. 2 is a first side view thereof; FIG. 3 is a second side view thereof; FIG. 4 is a bottom view thereof; FIG. 5 is a top view thereof; and, FIG. 6 is an exploded side view thereof showing the individual set pieces. The claim design is directed to an assembled set of cookware as shown in FIGS. 1-5, any deviations from the sides not shown forms no part of the claimed design.

1 Claim, 4 Drawing Sheets



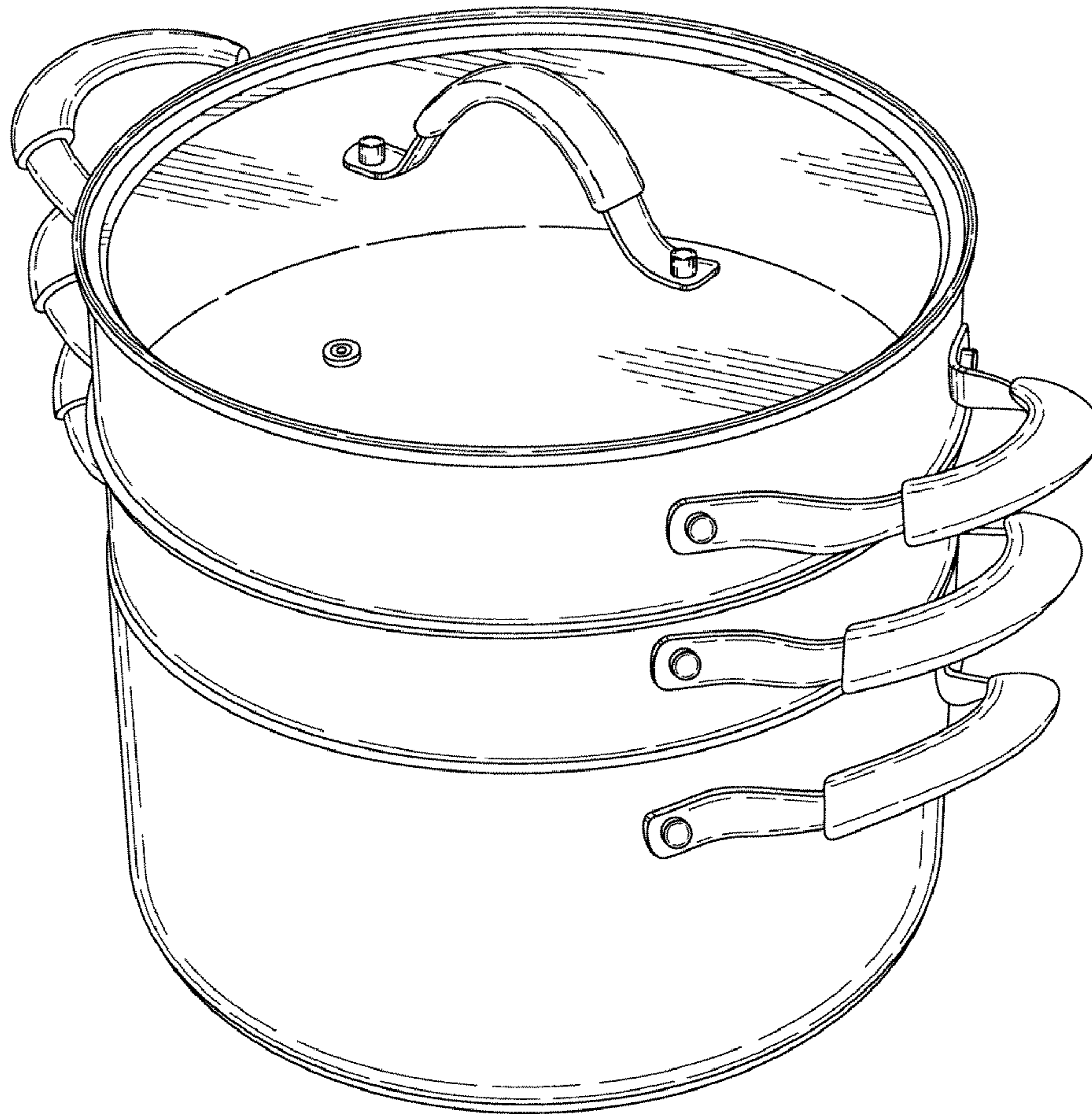


FIG. 1

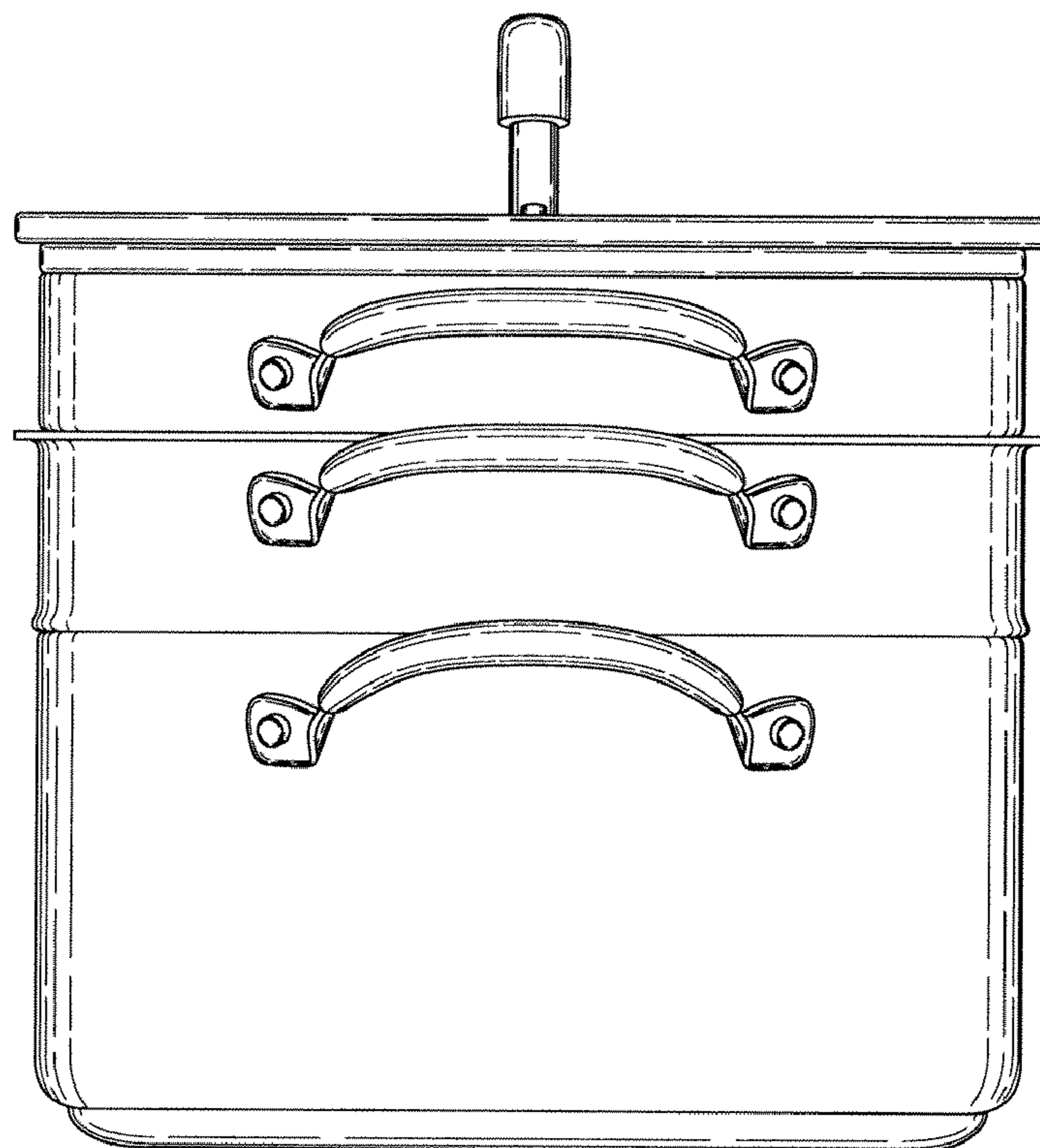


FIG. 2

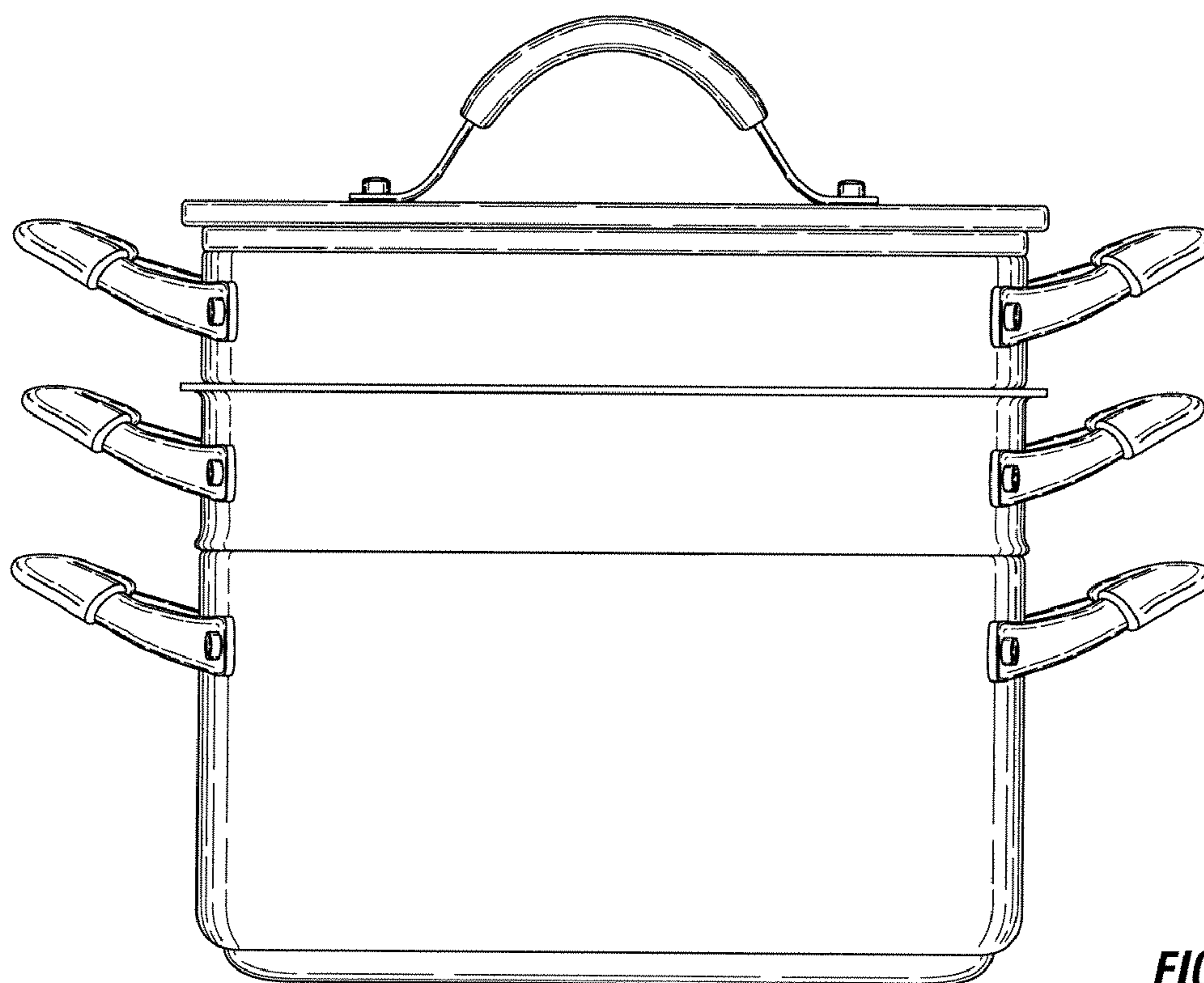


FIG. 3

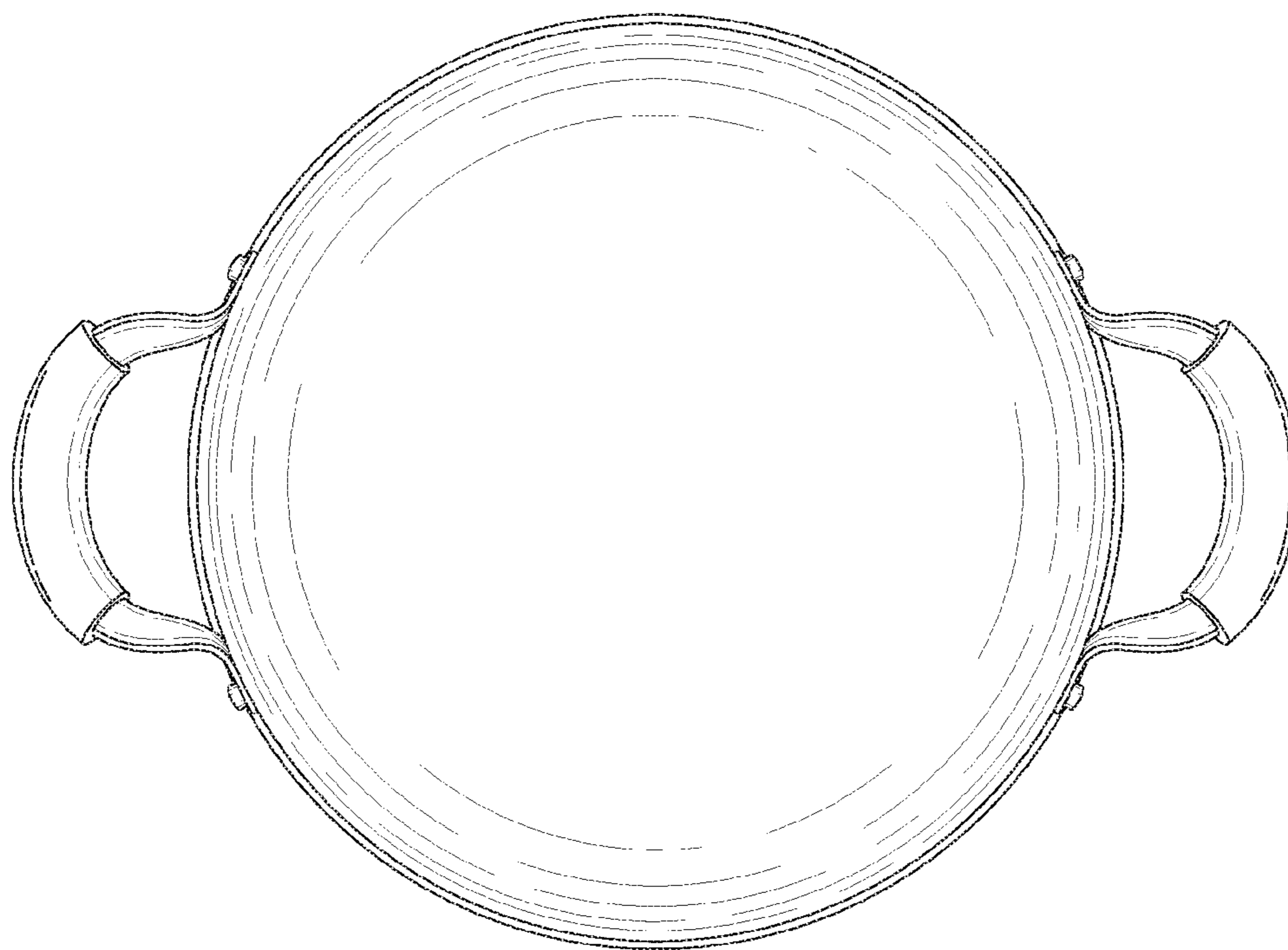


FIG. 4

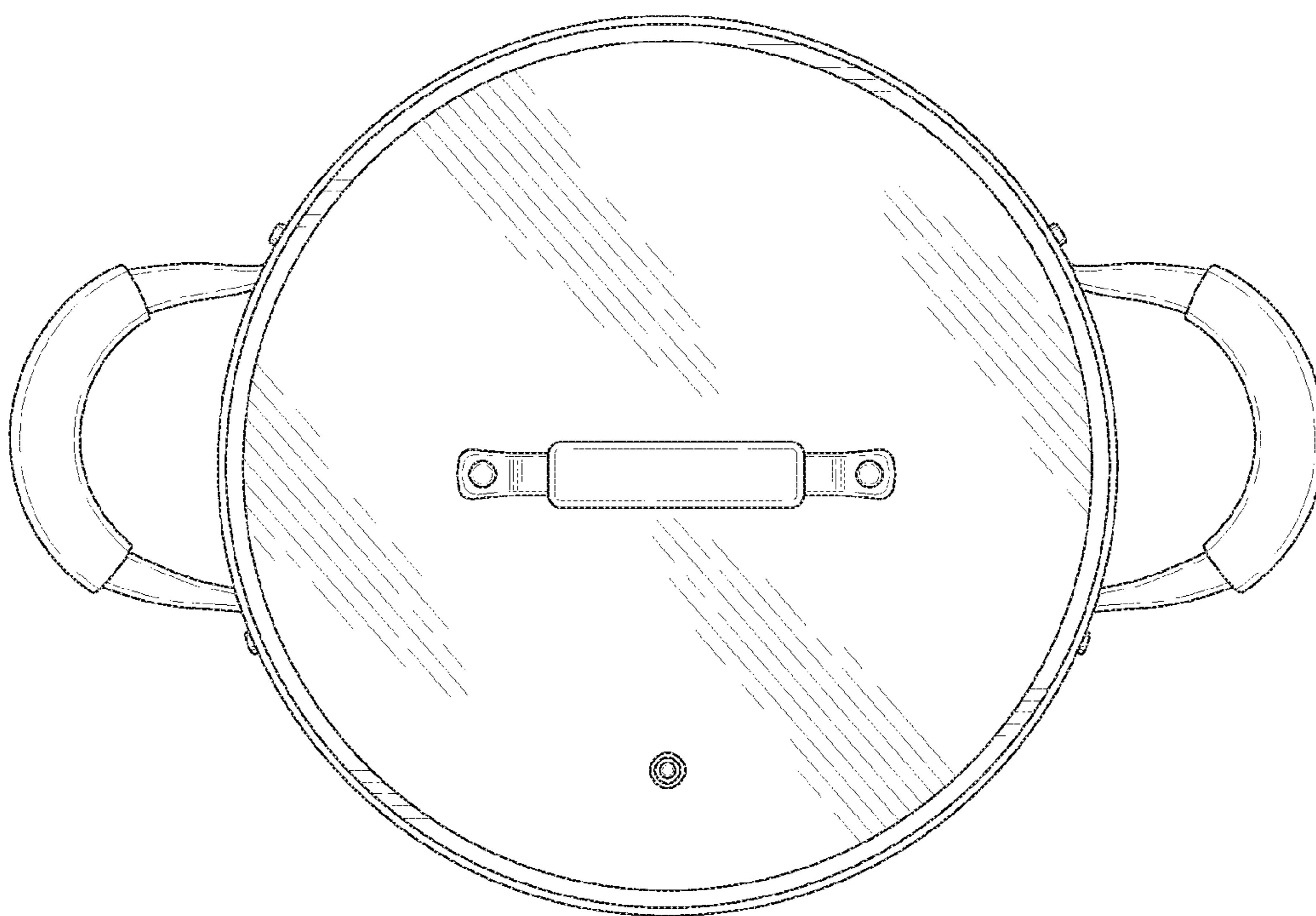


FIG. 5

FIG. 6

