



US00D641198S

(12) **United States Design Patent**
Borin

(10) **Patent No.:** **US D641,198 S**

(45) **Date of Patent:** **** Jul. 12, 2011**

(54) **BABYFOOD HEATER**

(75) **Inventor:** **Giacomo Borin**, Pordenone (IT)

(73) **Assignees:** **De' Longhi Appliances SRL Con**
Unico Socio, Treviso (TV) (IT); **Artsana**
SpA, Grandate (CO) (IT)

(**) **Term:** **14 Years**

(21) **Appl. No.:** **29/379,279**

(22) **Filed:** **Nov. 17, 2010**

(30) **Foreign Application Priority Data**

May 17, 2010 (EM) 1214639-0003

(51) **LOC (9) Cl.** **07-02**

(52) **U.S. Cl.** **D7/326; D7/378; D7/384; D7/413**

(58) **Field of Classification Search** D7/300,
D7/305-311, 317-318, 326, 372-373, 376-386,
D7/397, 412-415; D15/82; D21/525; D24/220;
99/279-281, 300, 306-307, 348, 509-511;
219/436; 222/105, 129.1-129.4, 146.1-146.2,
222/146.4-146.6; 241/30-37.5, 101.01-101.2,
241/166-169.1, 199.12, 285.1-285.3, 291,
241/292.1; 366/64-67, 98, 142, 197-211,
366/241-254, 279-292, 341-347

See application file for complete search history.

(56) **References Cited**

U.S. PATENT DOCUMENTS

2,582,781	A	*	1/1952	Johnson	219/436
D241,404	S	*	9/1976	Mantelet	D7/384
D251,432	S	*	3/1979	Sawada et al.	D15/82
D406,154	S	*	2/1999	Copland et al.	D15/82

* cited by examiner

Primary Examiner — Ricky Pham

(74) *Attorney, Agent, or Firm* — Hamre, Schumann, Mueller & Larson, P.C.

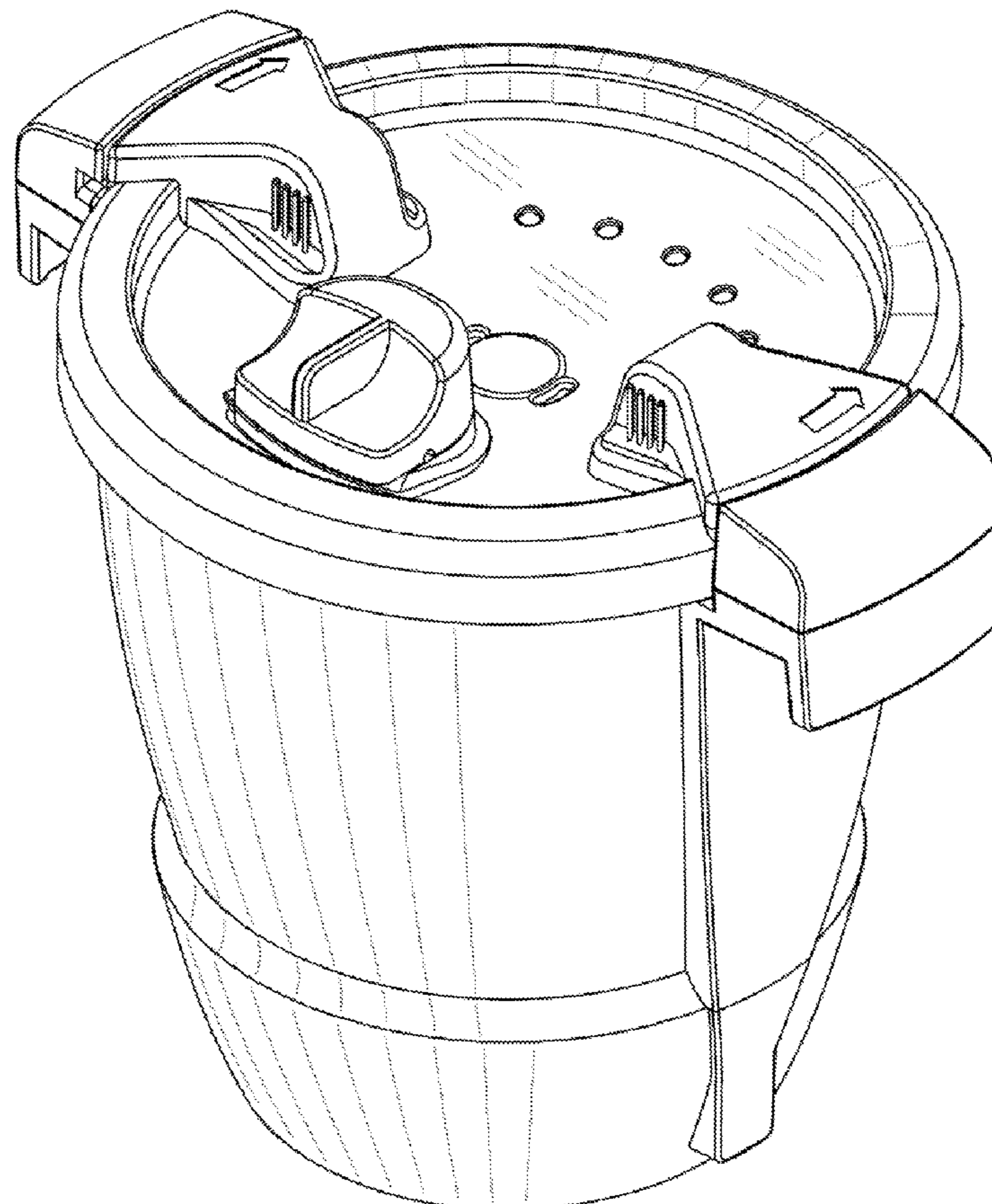
(57) **CLAIM**

The ornamental design for babyfood heater, as shown and described.

DESCRIPTION

FIG. 1 is a front right perspective view of babyfood heater showing my new design;
FIG. 2 is a front view thereof;
FIG. 3 is a back view thereof;
FIG. 4 is a left side view thereof;
FIG. 5 is a right side view thereof;
FIG. 6 is a top view thereof; and,
FIG. 7 is a bottom view thereof.

1 Claim, 7 Drawing Sheets



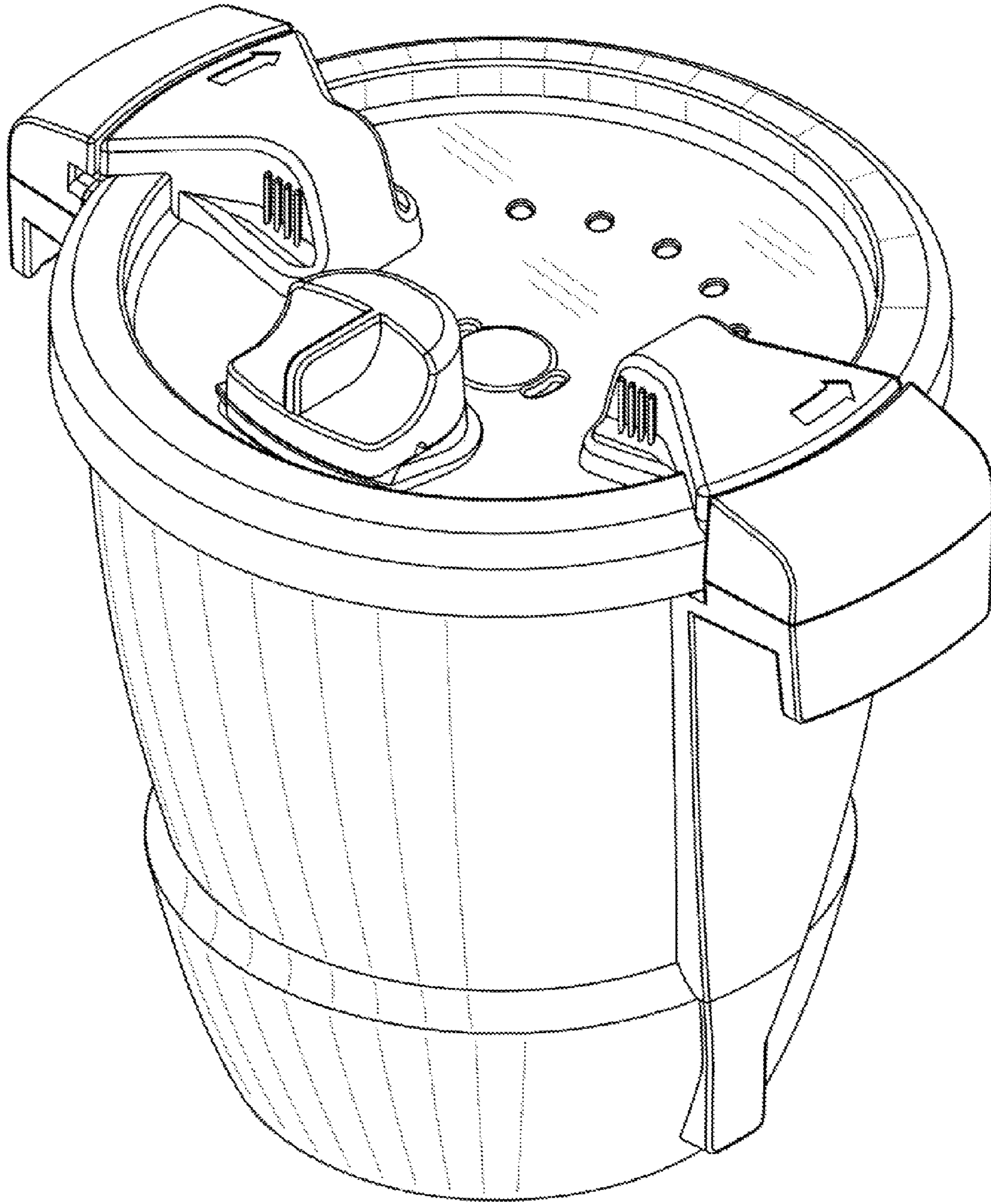


Figure 1

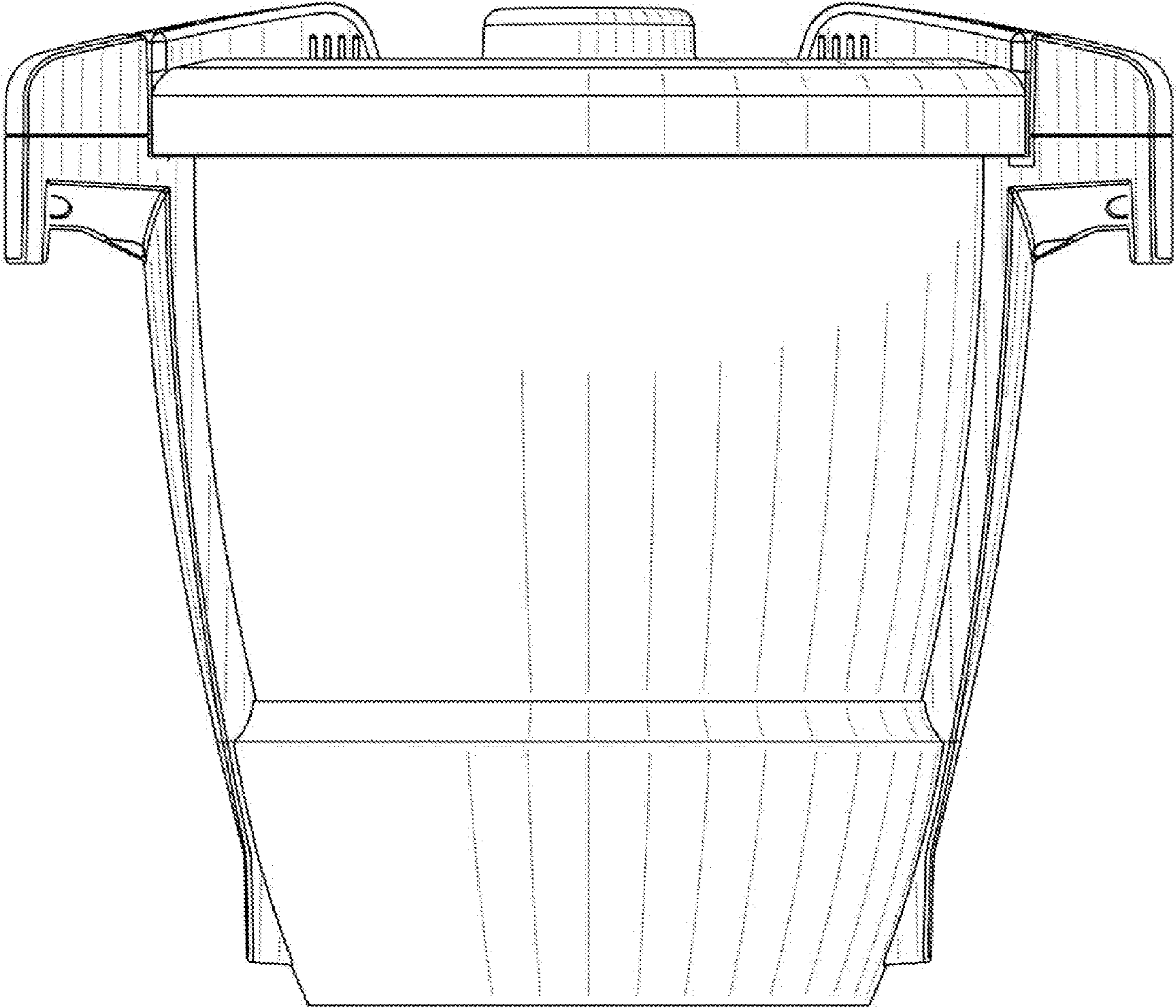


Figure 2

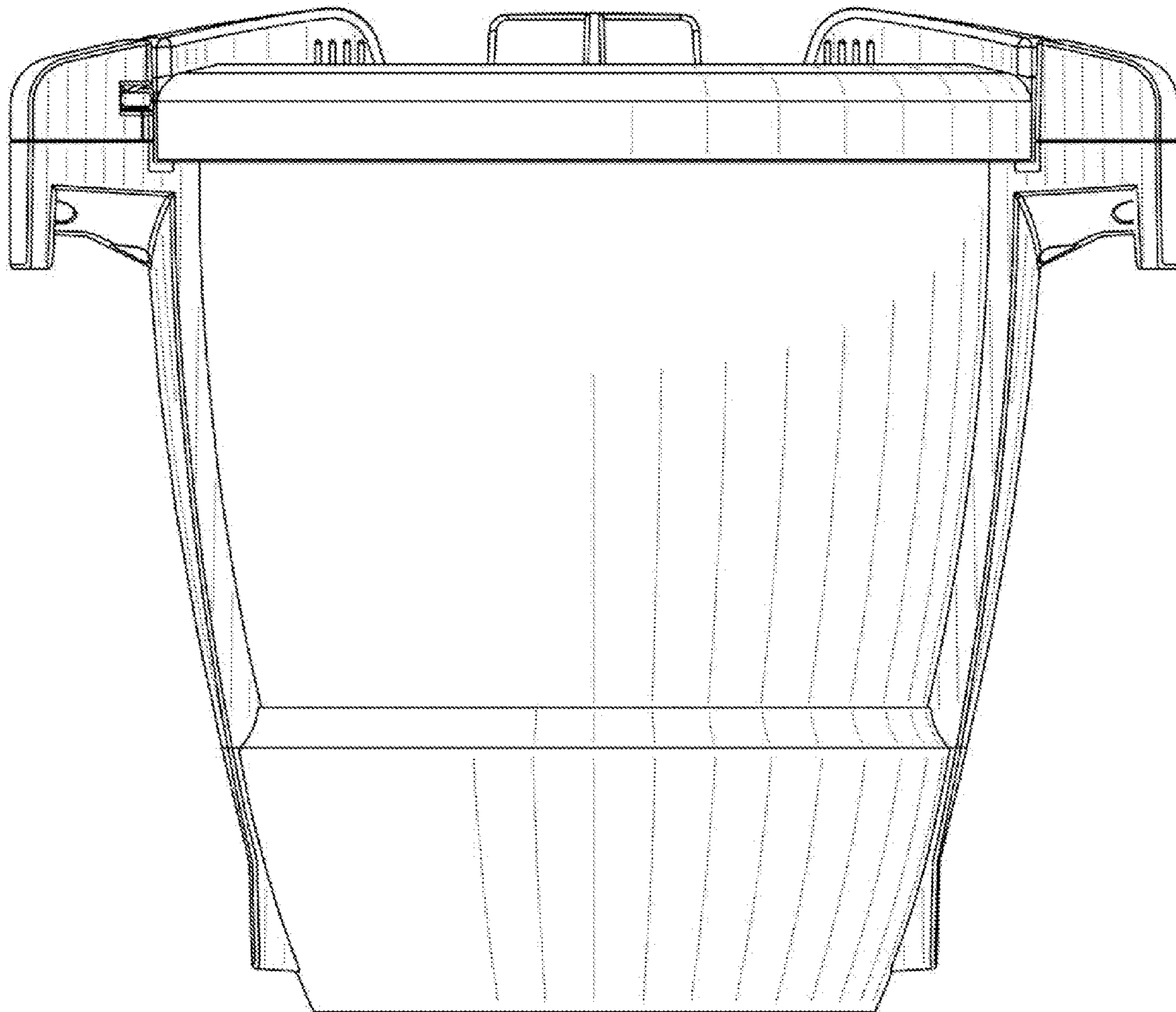


Figure 3

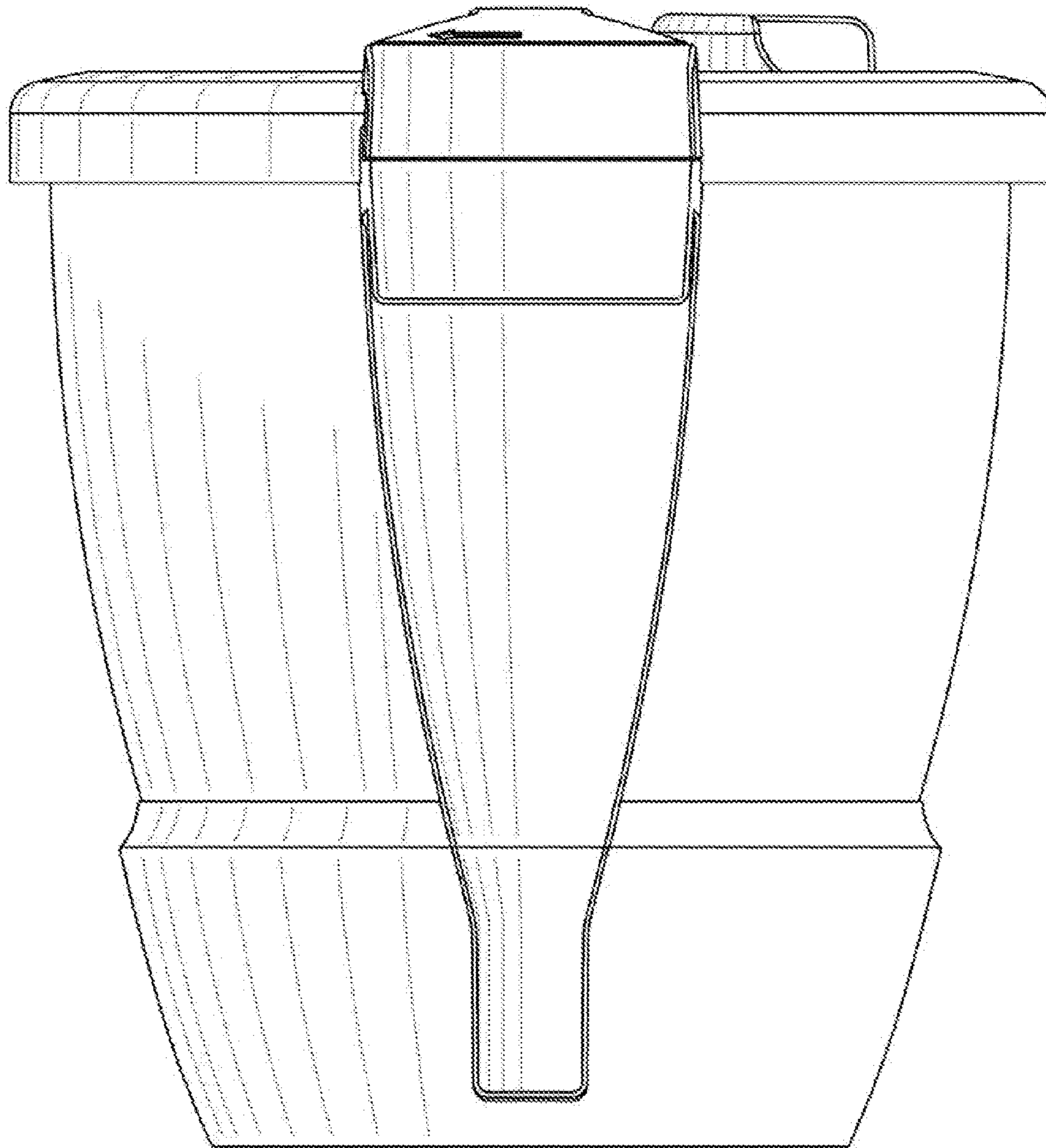


Figure 4

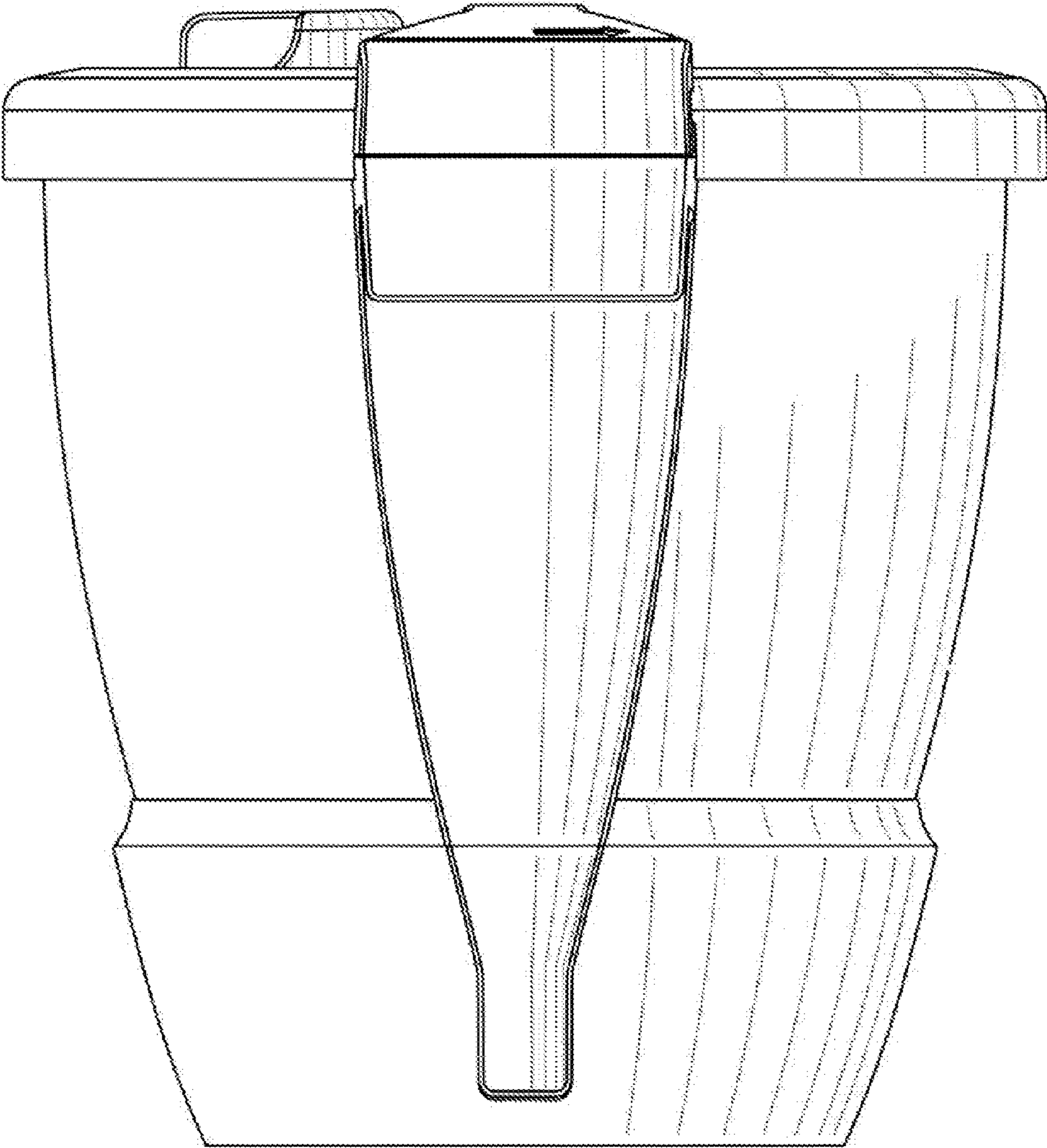


Figure 5

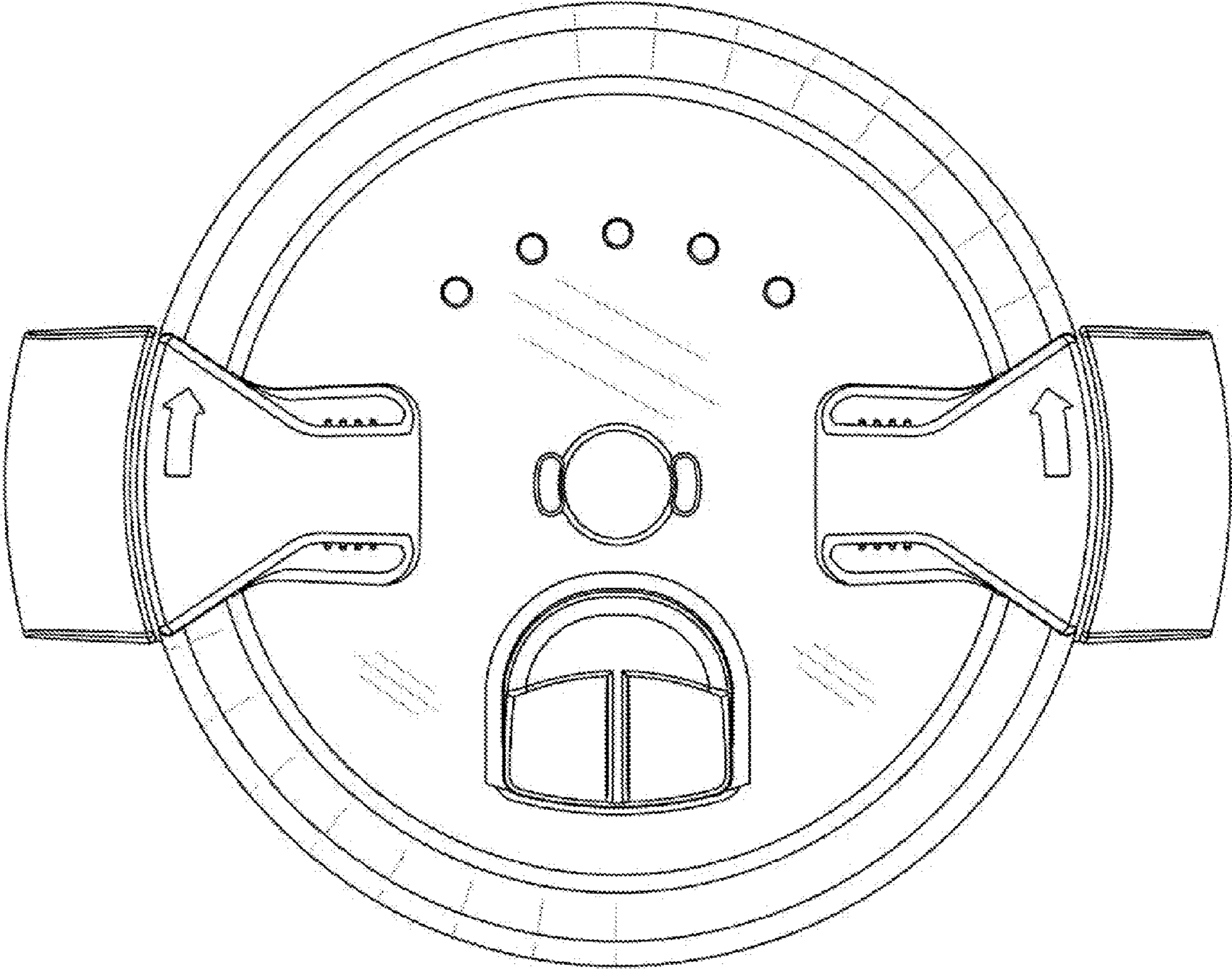


Figure 6

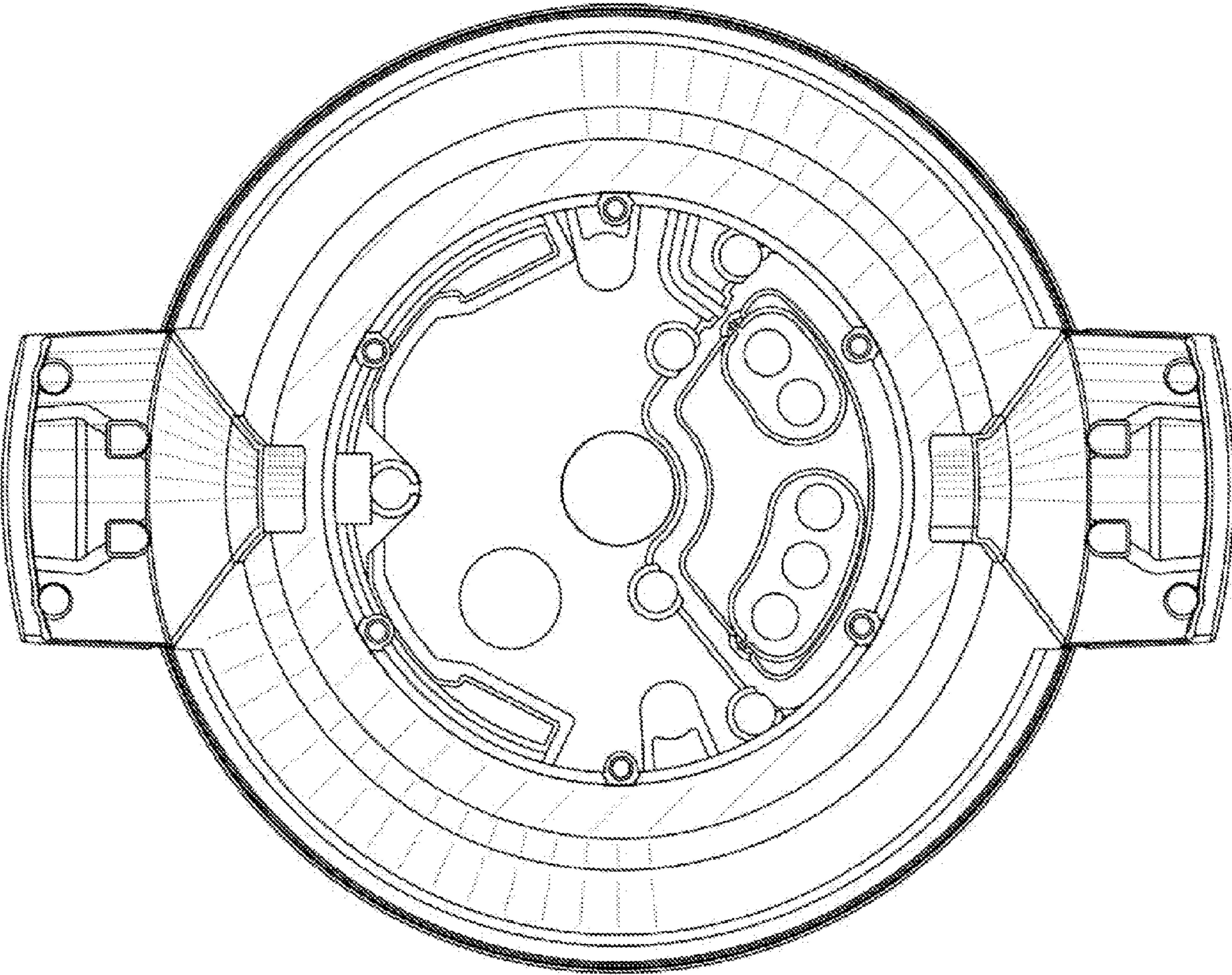


Figure 7