



US00D641197S

(12) **United States Design Patent**  
**Borin**

(10) **Patent No.:** **US D641,197 S**

(45) **Date of Patent:** **\*\* Jul. 12, 2011**

(54) **BABYFOOD HEATER**

(75) Inventor: **Giacomo Borin**, Pordenone (IT)

(73) Assignees: **De' Longhi Appliances SRL Con**  
**Unico Socio**, Treviso (TV) (IT); **Artsana**  
**SpA**, Grandate (CO) (IT)

(\*\*) Term: **14 Years**

(21) Appl. No.: **29/379,269**

(22) Filed: **Nov. 17, 2010**

(30) **Foreign Application Priority Data**

May 17, 2010 (EM) ..... 1214639-0002

(51) **LOC (9) Cl.** ..... **07-02**

(52) **U.S. Cl.** ..... **D7/326; D7/378; D7/384**

(58) **Field of Classification Search** ..... D7/300,  
D7/305-311, 317-318, 326, 372-373, 376-386,  
D7/397, 412-415; D21/525; D24/220;  
99/279-281, 300, 306-307, 348, 509-511;  
222/105, 129.1-129.4, 146.1-146.2, 146.4-146.6;  
241/30-37.5, 101.01-101.2, 166-169.1,  
241/199.12, 285.1-285.3, 291, 292.1; 366/64-67,  
366/98, 142, 197-211, 241-254, 279-292,  
366/341-347; 392/333

See application file for complete search history.

(56) **References Cited**

U.S. PATENT DOCUMENTS

3,385,950	A *	5/1968	Lipor .....	392/333
D259,133	S *	5/1981	Klawitter .....	D21/525
D348,797	S *	7/1994	Brady .....	D7/386
D368,204	S *	3/1996	Jonke .....	D7/386
D383,642	S *	9/1997	Feil .....	D7/376
D385,149	S *	10/1997	Feil .....	D7/378
D389,696	S *	1/1998	Feil .....	D7/386
D475,238	S *	6/2003	Feil .....	D7/376
D569,988	S *	5/2008	Koop .....	D24/220
D591,558	S *	5/2009	Barnard et al. ....	D7/412
D594,696	S *	6/2009	Day et al. ....	D7/378
2002/0027175	A1 *	3/2002	Capp .....	241/199.12

\* cited by examiner

*Primary Examiner* — Ricky Pham

(74) *Attorney, Agent, or Firm* — Hamre, Schumann, Mueller  
& Larson, P.C.

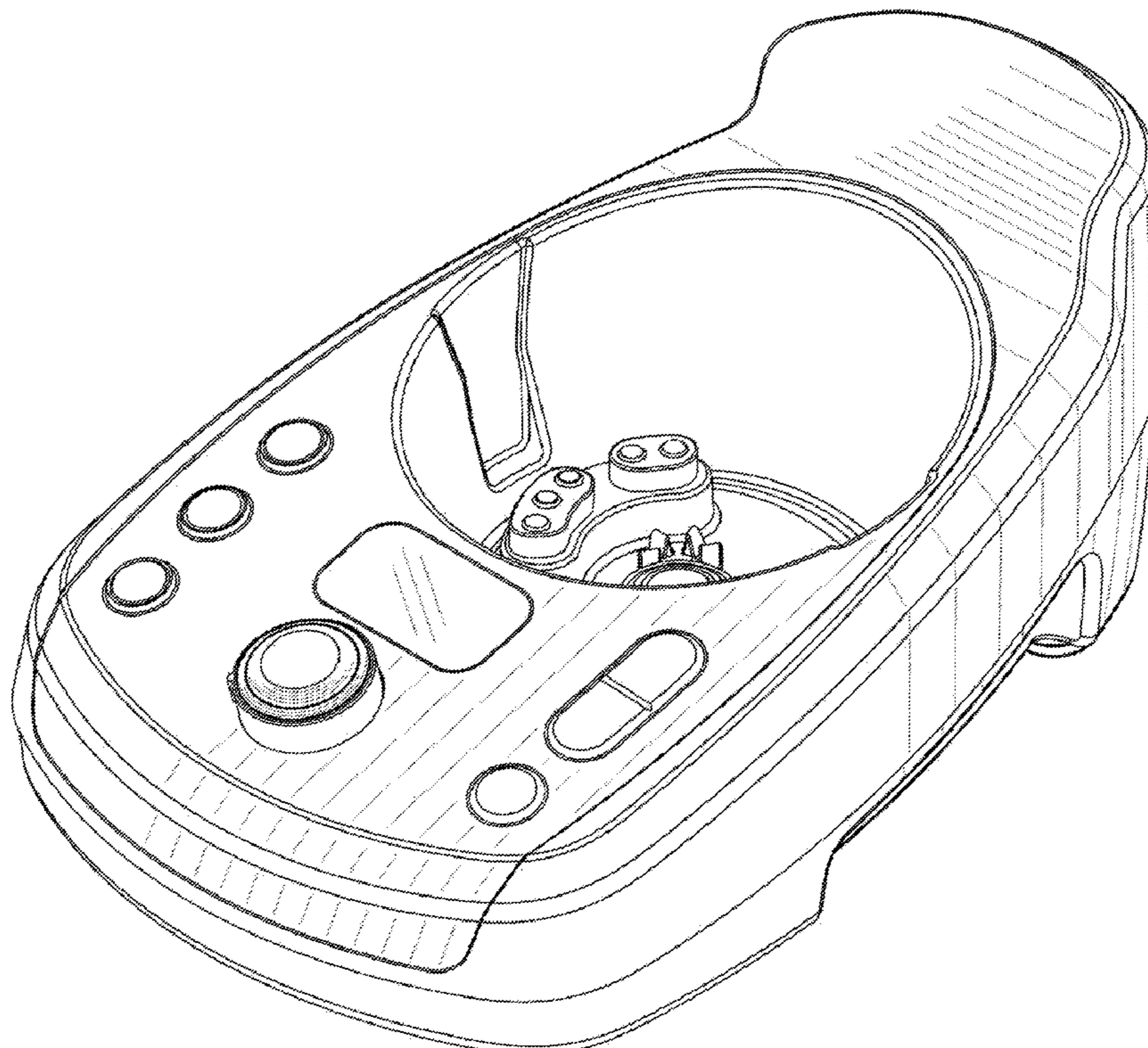
(57) **CLAIM**

The ornamental design for babyfood heater, as shown and described.

**DESCRIPTION**

FIG. 1 is a front right perspective view of babyfood heater showing my new design;  
FIG. 2 is a front view thereof;  
FIG. 3 is a back view thereof;  
FIG. 4 is a left side view thereof;  
FIG. 5 is a right side view thereof;  
FIG. 6 is a top view thereof; and,  
FIG. 7 is a bottom view thereof.

**1 Claim, 7 Drawing Sheets**



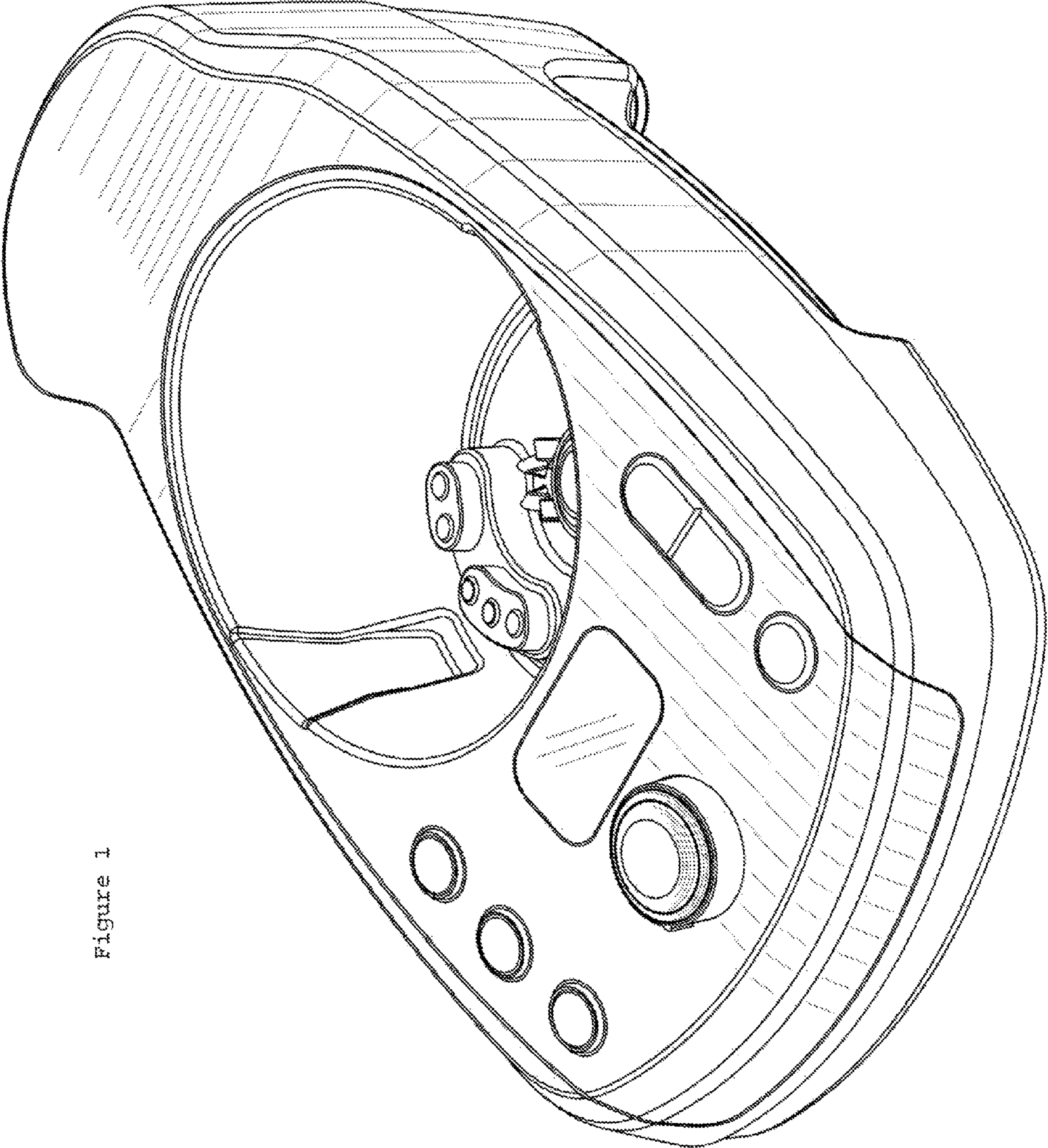


Figure 1

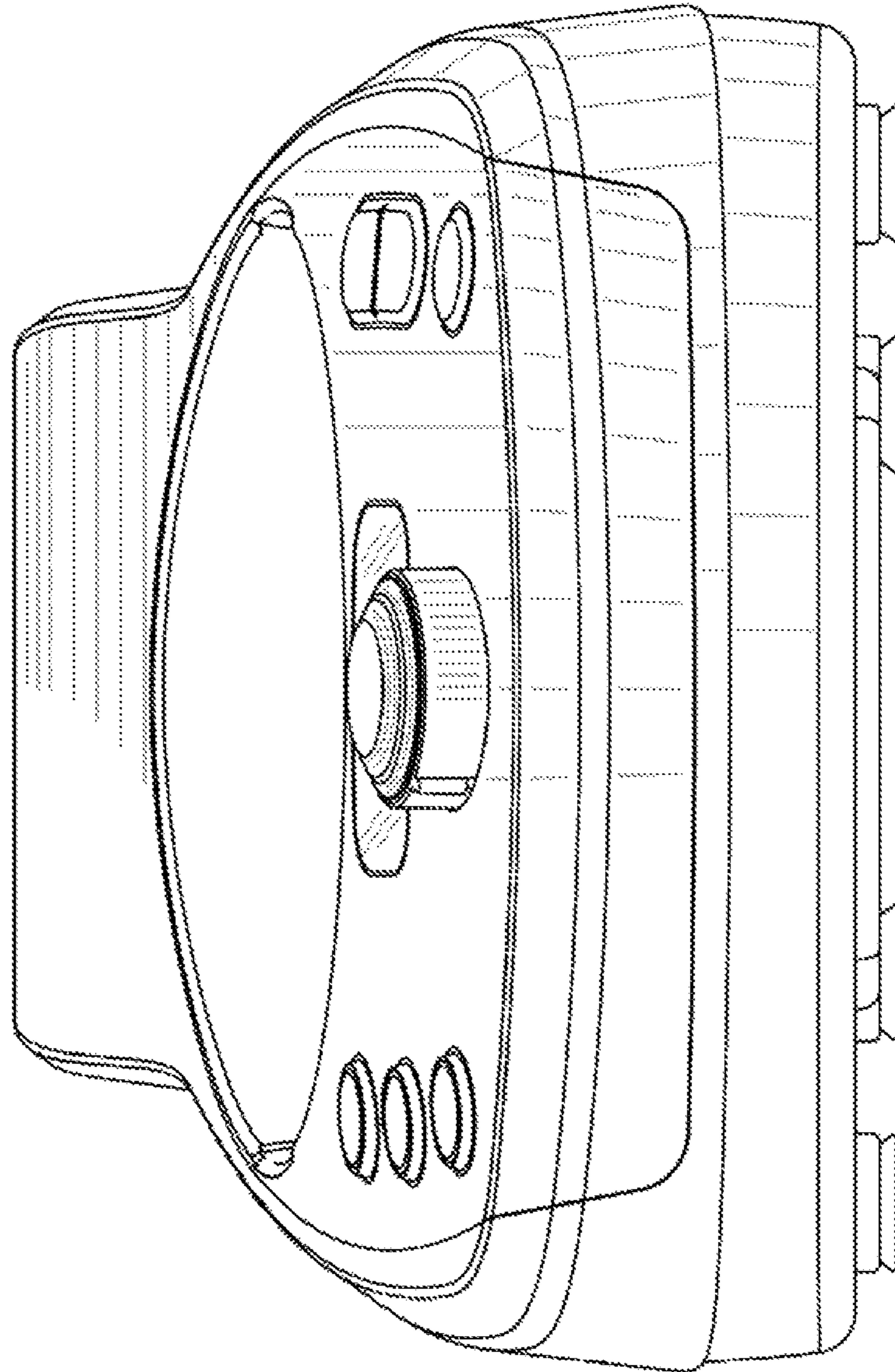


Figure 2

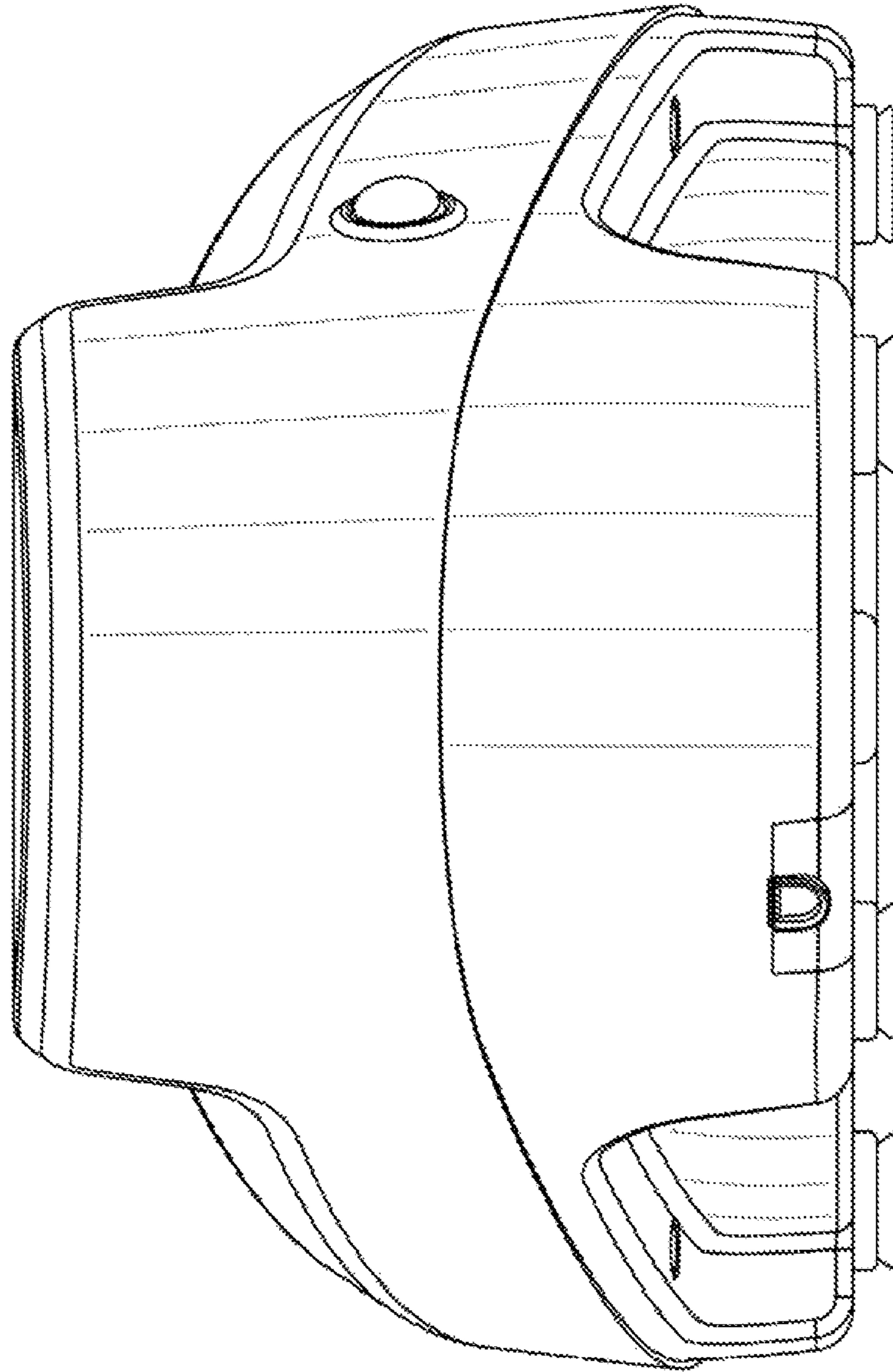


Figure 3

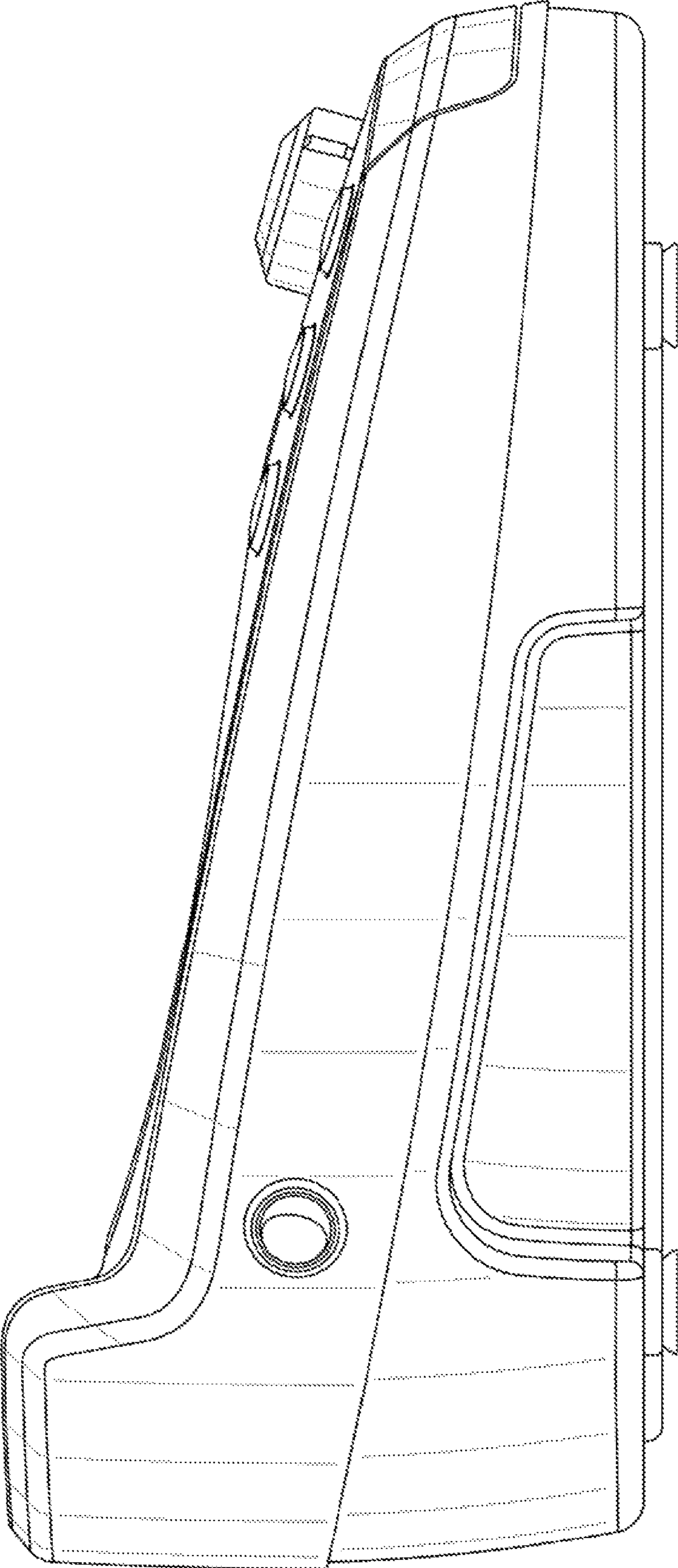


Figure 4

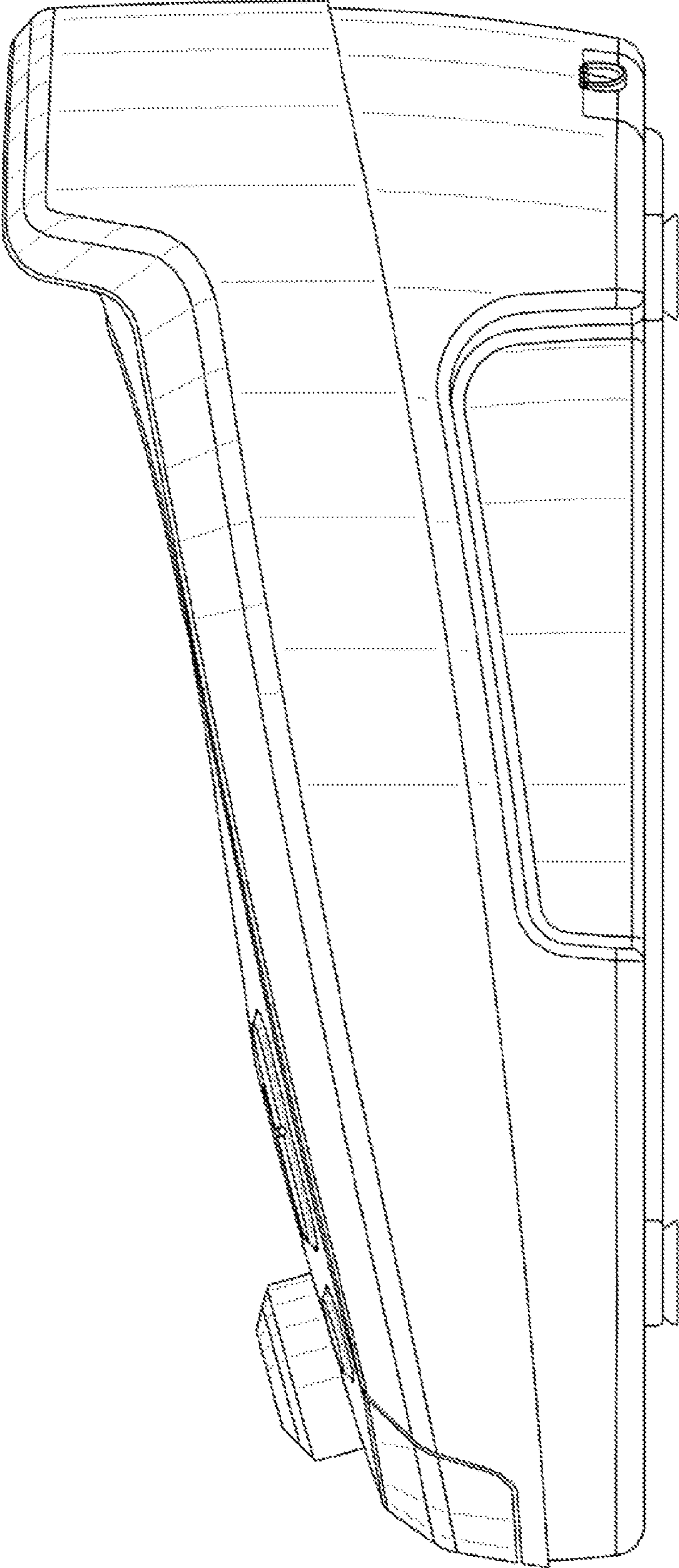


Figure 5

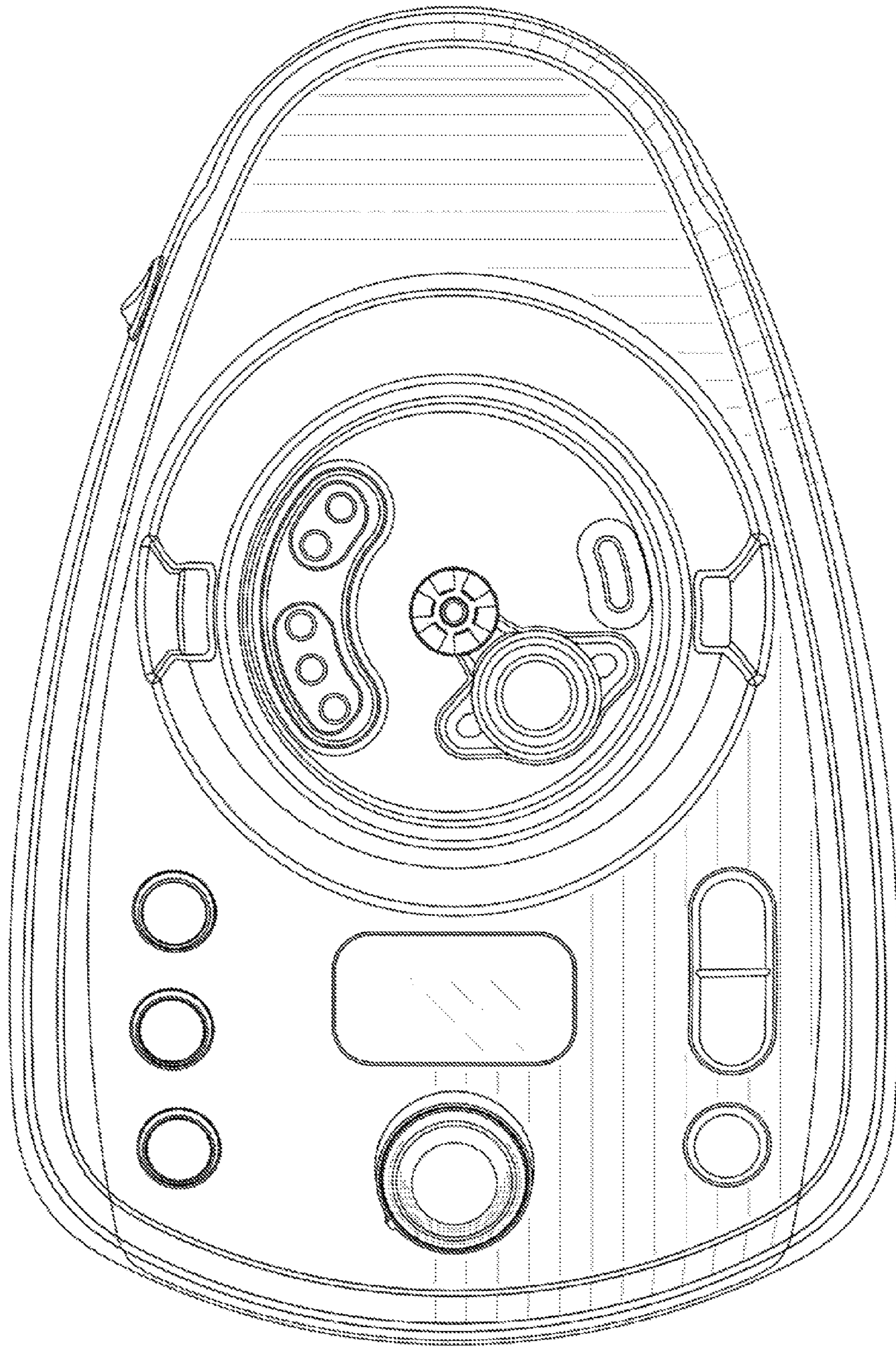


Figure 6

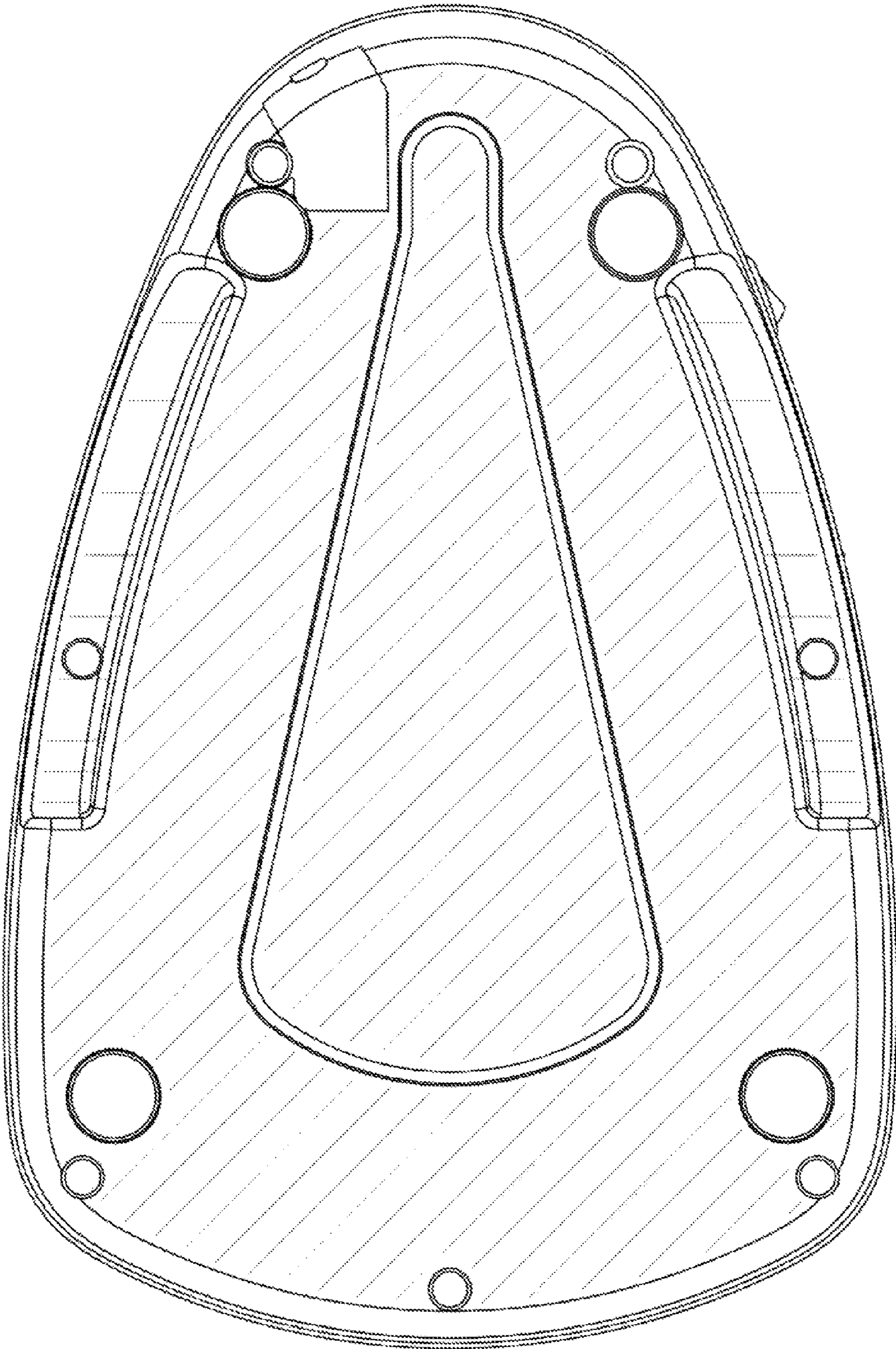


Figure 7