



US00D641195S

(12) **United States Design Patent**
Delong

(10) **Patent No.:** **US D641,195 S**
(45) **Date of Patent:** **** Jul. 12, 2011**

(54) **HOSPITAL BED HEADBOARD COVER WITH POCKETS**

(76) Inventor: **Angela L. Delong**, Houston, TX (US)

(**) Term: **14 Years**

(21) Appl. No.: **29/350,873**

(22) Filed: **Nov. 24, 2009**

(51) **LOC (9) Cl.** **12-13**

(52) **U.S. Cl.** **D6/610**

(58) **Field of Classification Search** D6/610-611,
D6/596, 601, 602, 603, 617; D12/401-405;
135/87, 88.01, 95; 150/165-167, 158, 154;
280/770; 296/136.01, 136.1, 136.11

See application file for complete search history.

(56) **References Cited**

U.S. PATENT DOCUMENTS

2,420,344	A *	5/1947	Alexander	2/69
D258,035	S *	1/1981	Fenwick	D6/603
D264,165	S *	5/1982	McVeigh	D6/596
D313,142	S *	12/1990	Truell	D6/603
5,457,829	A *	10/1995	Elliott	5/420
5,730,529	A *	3/1998	Fritz et al.	383/4
5,774,912	A *	7/1998	Dominique	5/419
6,061,849	A *	5/2000	Seals	5/417
6,129,452	A *	10/2000	Hakulin	383/4
D478,455	S *	8/2003	Papazian	D6/608

* cited by examiner

Primary Examiner — Caron D Veynar

Assistant Examiner — Katrina Kile

(74) *Attorney, Agent, or Firm* — QuickPatents, Inc.; Kevin Prince

(57) **CLAIM**

What is claimed is the ornamental design for a hospital bed headboard cover with pockets, as shown and described.

DESCRIPTION

FIG. 1 is a perspective view of a hospital bed headboard cover with pockets, illustrated with tie strings tied around legs of a bed, showing the new design;

FIG. 2 is a front elevational view thereof, illustrated with the tie strings untied;

FIG. 3 is a rear elevational view thereof, illustrated with the tie strings untied;

FIG. 4 is a left-side elevational view thereof, illustrated with the tie strings untied, the right-side elevational view being a mirror image thereof;

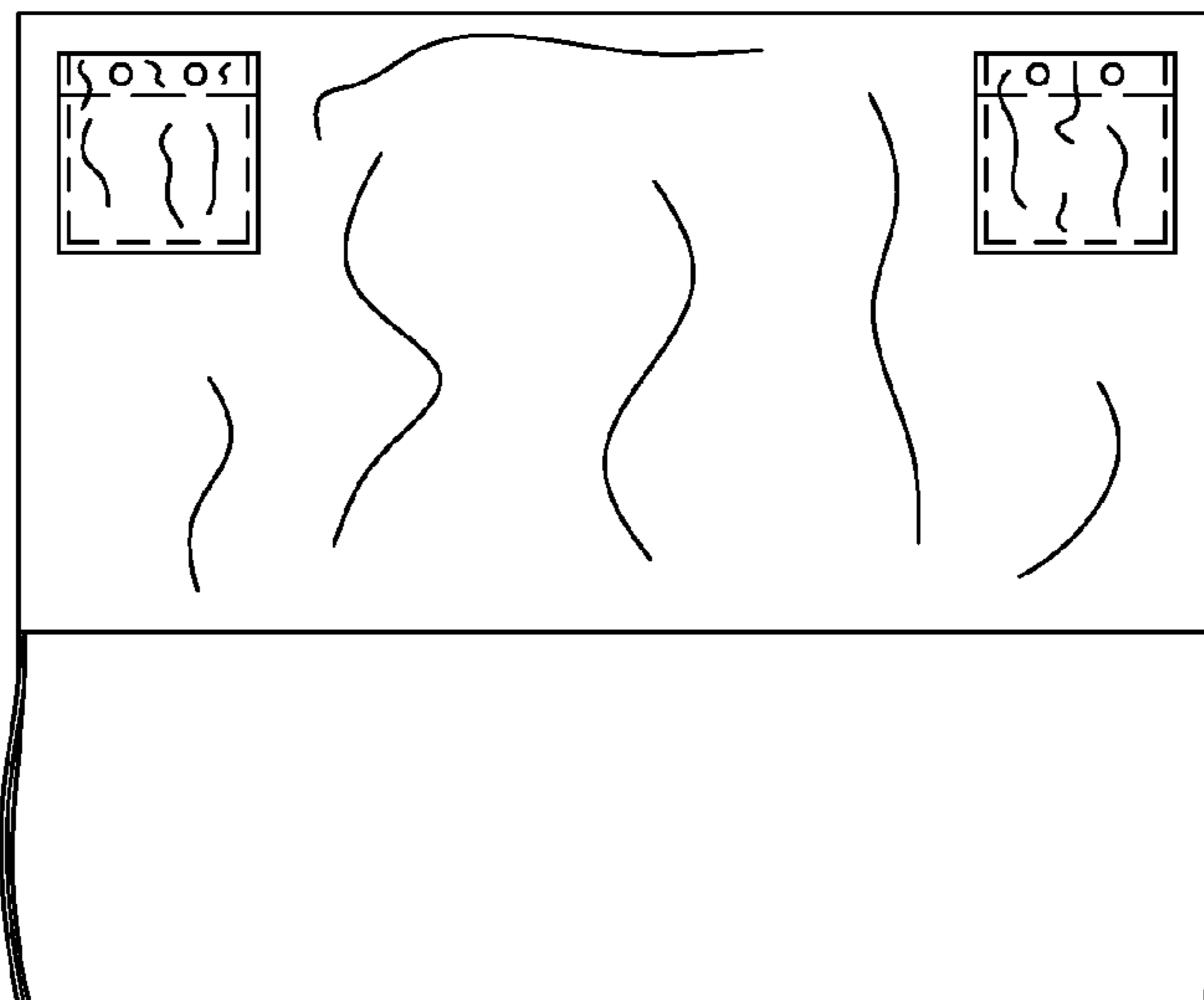
FIG. 5 is a top plan view thereof, illustrated with the tie strings untied; and,

FIG. 6 is a bottom plan view thereof, illustrated with the tie strings untied.

The broken lines showing a bed in FIG. 1 are included for the purpose of illustrating the invention in use, and form no part of the claimed design.

The broken lines in the figures represent stitching and form a part of the claimed design.

1 Claim, 2 Drawing Sheets



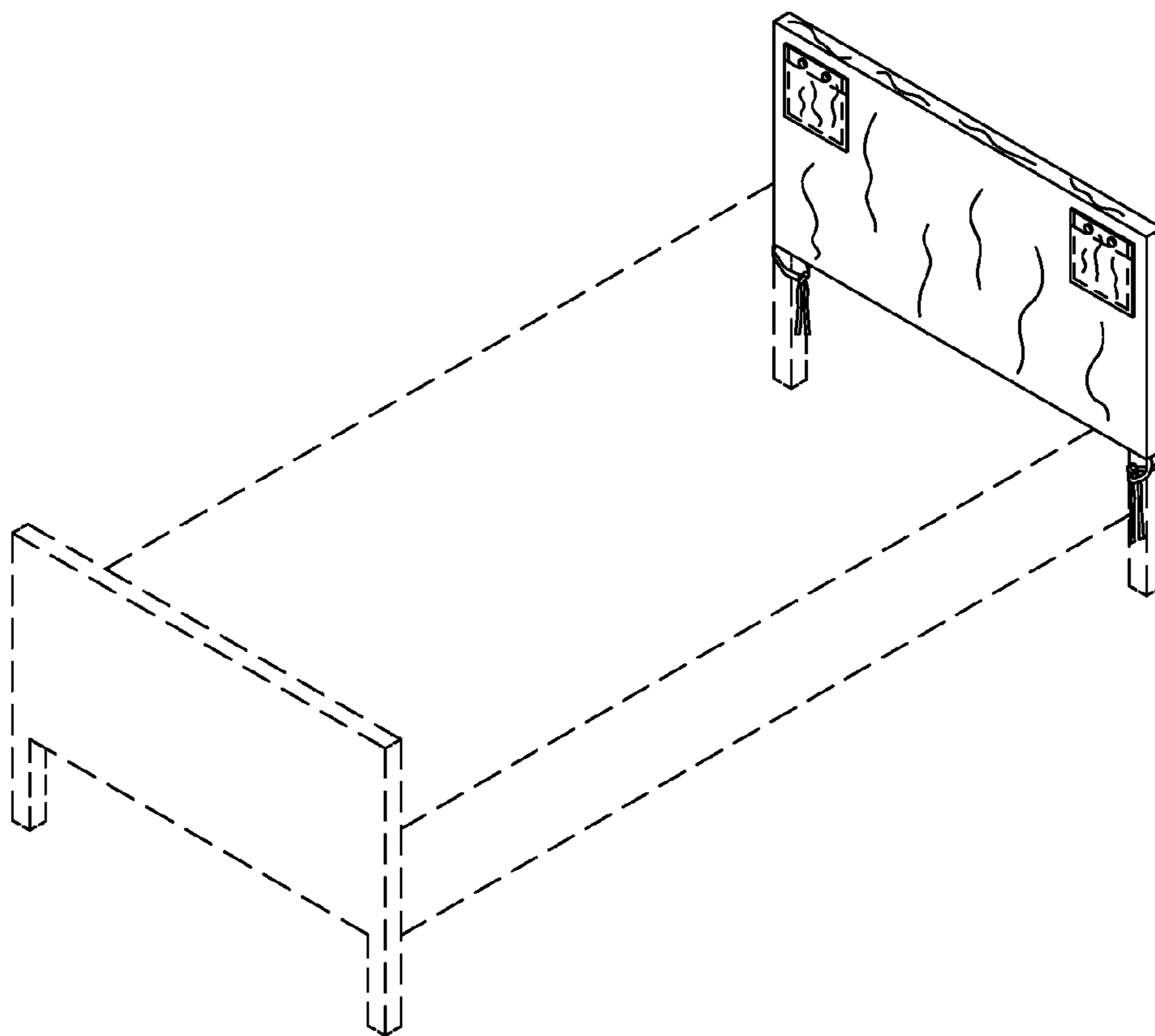


FIG. 1

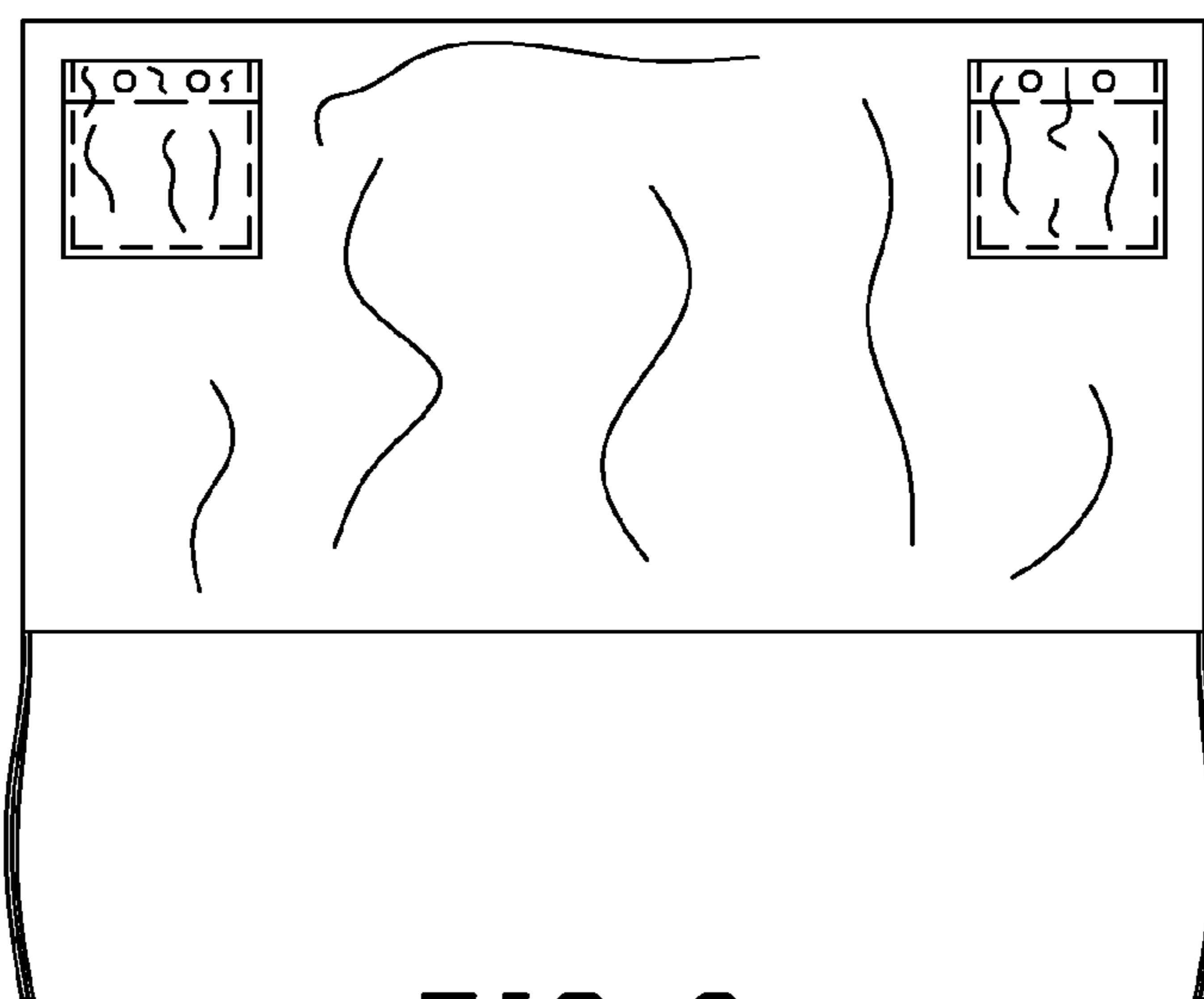


FIG. 2

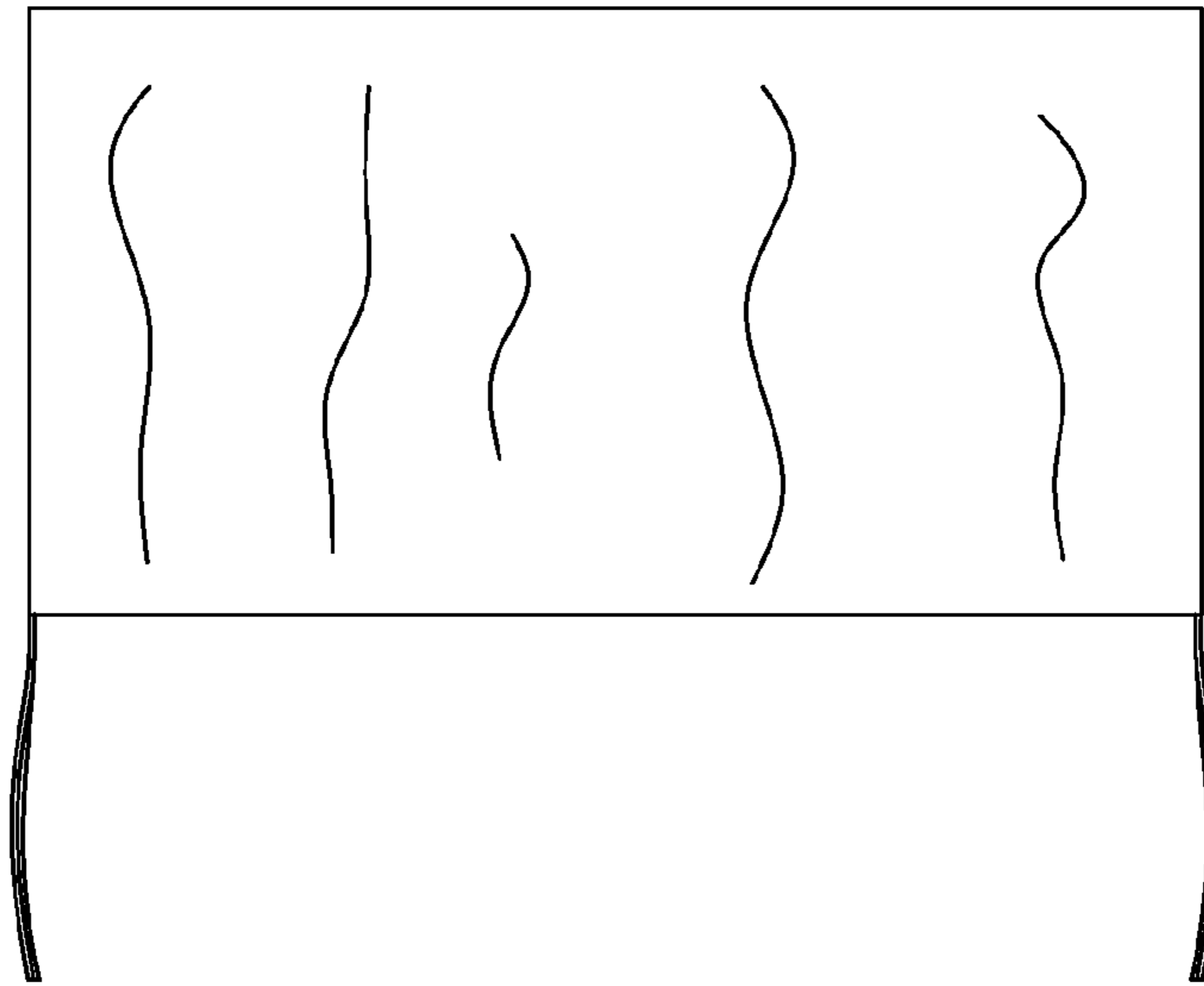


FIG. 3



FIG. 4

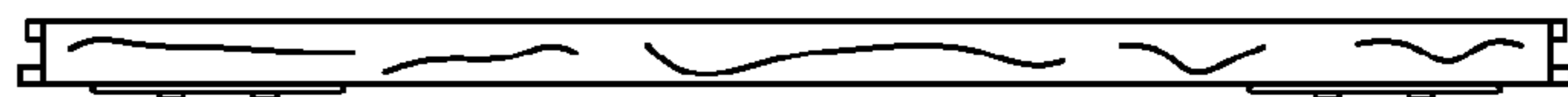


FIG. 5



FIG. 6