



US00D641194S

(12) **United States Design Patent**
Vaccaro

(10) **Patent No.:** **US D641,194 S**
(45) **Date of Patent:** **** Jul. 12, 2011**

(54) **SHOWER POLE CADDY**

(75) Inventor: **Joseph Vaccaro**, West Chester, PA (US)

(73) Assignee: **Zenith Products Corp.**, New Castle, DE (US)

(**) Term: **14 Years**

(21) Appl. No.: **29/384,404**

(22) Filed: **Jan. 31, 2011**

(51) **LOC (9) Cl.** **06-04**

(52) **U.S. Cl.** **D6/570; D6/566; D6/525**

(58) **Field of Classification Search** D6/524,
D6/525, 562, 566, 570; 211/13.1, 181.1,
211/41.3, 41.4, 71.01, 74, 75, 87.01, 88.01,
211/88.03, 90.01, 90.03, 126.1, 134

See application file for complete search history.

(56) **References Cited**

U.S. PATENT DOCUMENTS

D408,185 S	4/1999	Hofman	
D409,424 S	5/1999	Hofman et al.	
D415,916 S	11/1999	Hofman et al.	
D417,991 S *	12/1999	Hofman et al.	D6/525
D443,162 S *	6/2001	Winter	D6/570
D462,552 S *	9/2002	Emery et al.	D6/525
D472,750 S	4/2003	Clucas	
D473,084 S	4/2003	Suero, Jr.	
D473,411 S	4/2003	Walker	
D485,464 S	1/2004	Clucas	
D501,106 S	1/2005	Suero, Jr.	
D513,373 S	1/2006	Harwanko	
D562,608 S	2/2008	Kramer	
D562,609 S	2/2008	Kramer	
D568,656 S	5/2008	Kramer	
D569,149 S	5/2008	Walker	
D569,668 S	5/2008	Kramer	
D573,387 S *	7/2008	Walker	D6/525
D620,293 S *	7/2010	Guindi	D6/562

OTHER PUBLICATIONS

http://www.google.com/imgres?imgurl=http://ecx.images-ama-zon.com/images/1/51bDalESObL._SL160_.jpg
&imgrefurl=http://brushednickeltowelholder.com/gold-towel-holders.php&usq=__TFb7qM5AArFEUnfhV5IjqaY4NXk=&h=160&sz=160&sz=7&h1=en&start=2&zoom=1&tbnid=PTJ71h9U5Dy8eMATbnh=98&tbnw=98&ei=jxajTeDdlsrogQfP_LnaBQ&prev=iimages°/03Fq%3Dmetar/02Bscroll°/02Bpole%2Bcaddies.
<http://www.kitchensource.com/shelves/ao-ba1903.htm>; 2 pages; date unknown (Admitted prior art).

Inter Design USA Over the Shower Caddy; for sale in Wal-Mart on or about Mar. 1, 2011.

* cited by examiner

Primary Examiner — Brian N Vinson

(74) *Attorney, Agent, or Firm* — Panitch Schwarze Belisario & Nadel LLP

(57) **CLAIM**

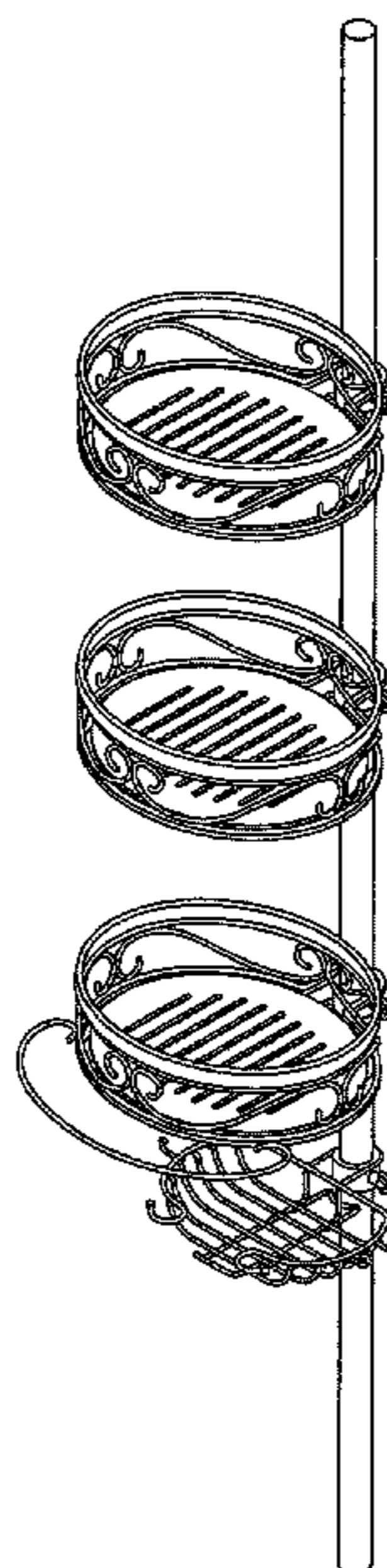
The ornamental design for a shower pole caddy, as shown and described.

DESCRIPTION

FIG. 1 is a front perspective view of a shower pole caddy in accordance with my new design;
FIG. 2 is a front elevational view thereof;
FIG. 3 is a right side elevational view thereof;
FIG. 4 is a left side elevational view thereof;
FIG. 5 is a top plan view thereof; and,
FIG. 6 is a bottom view thereof.

The rear elevational view of the shower pole caddy is not shown in the drawings or described in the specification and, therefore, forms no part of the claimed design.

1 Claim, 3 Drawing Sheets



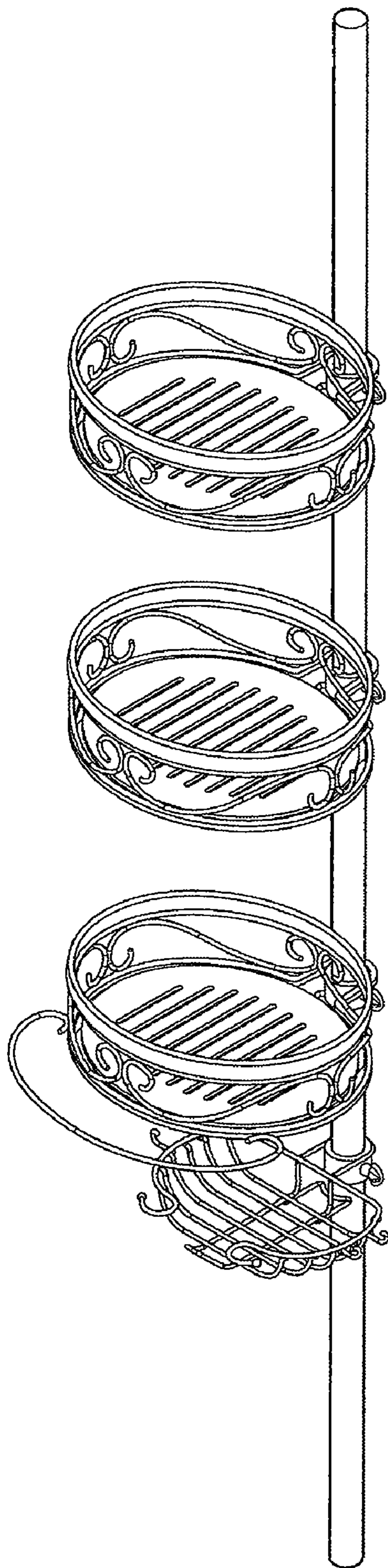


FIG. 1

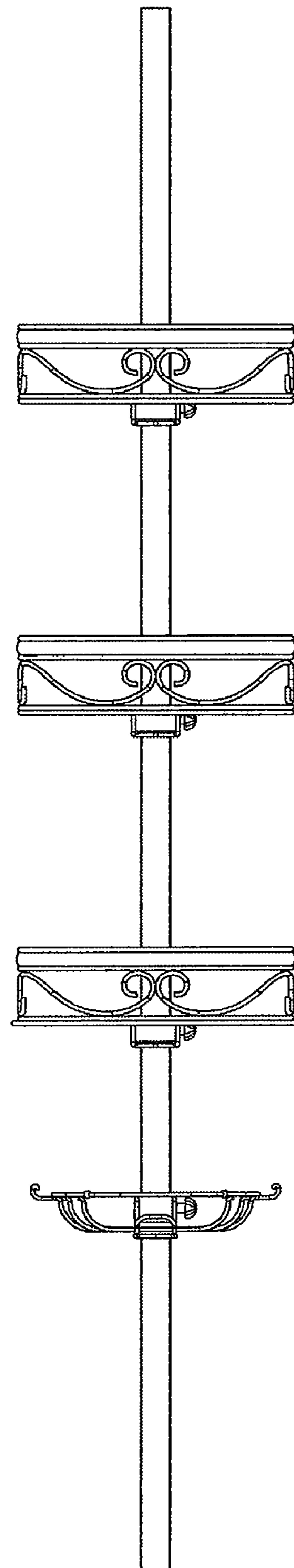


FIG. 2

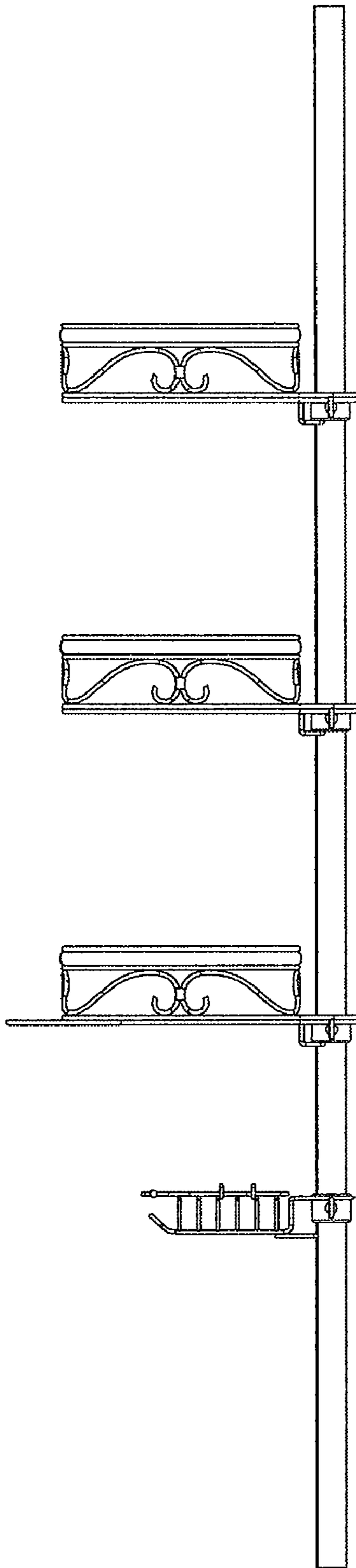


FIG. 3

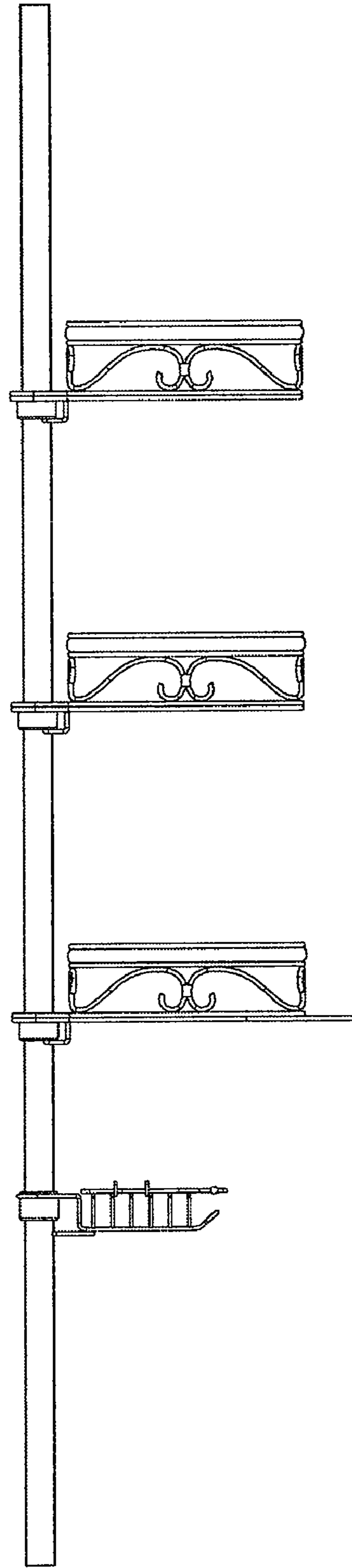


FIG. 4

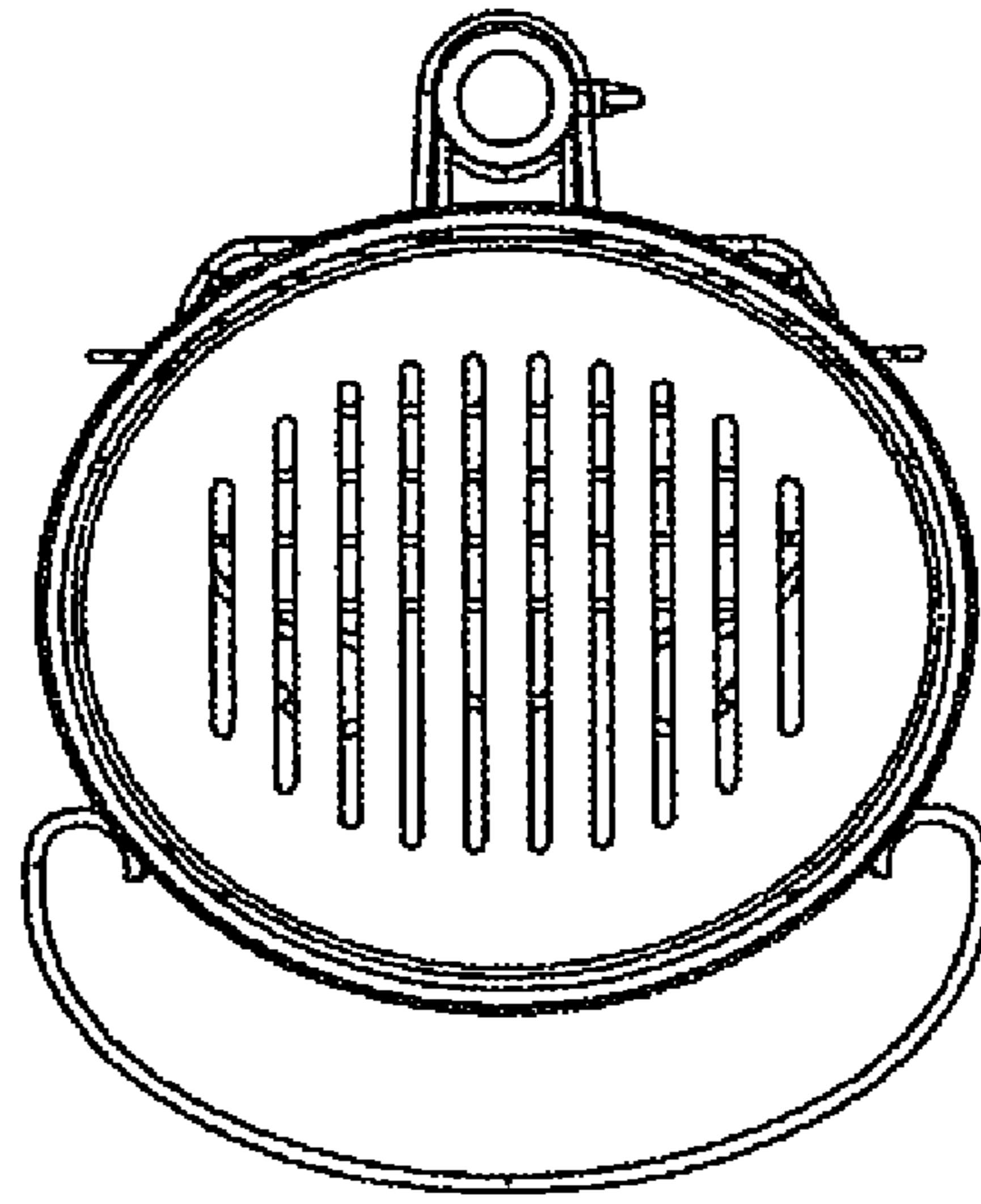


FIG. 5

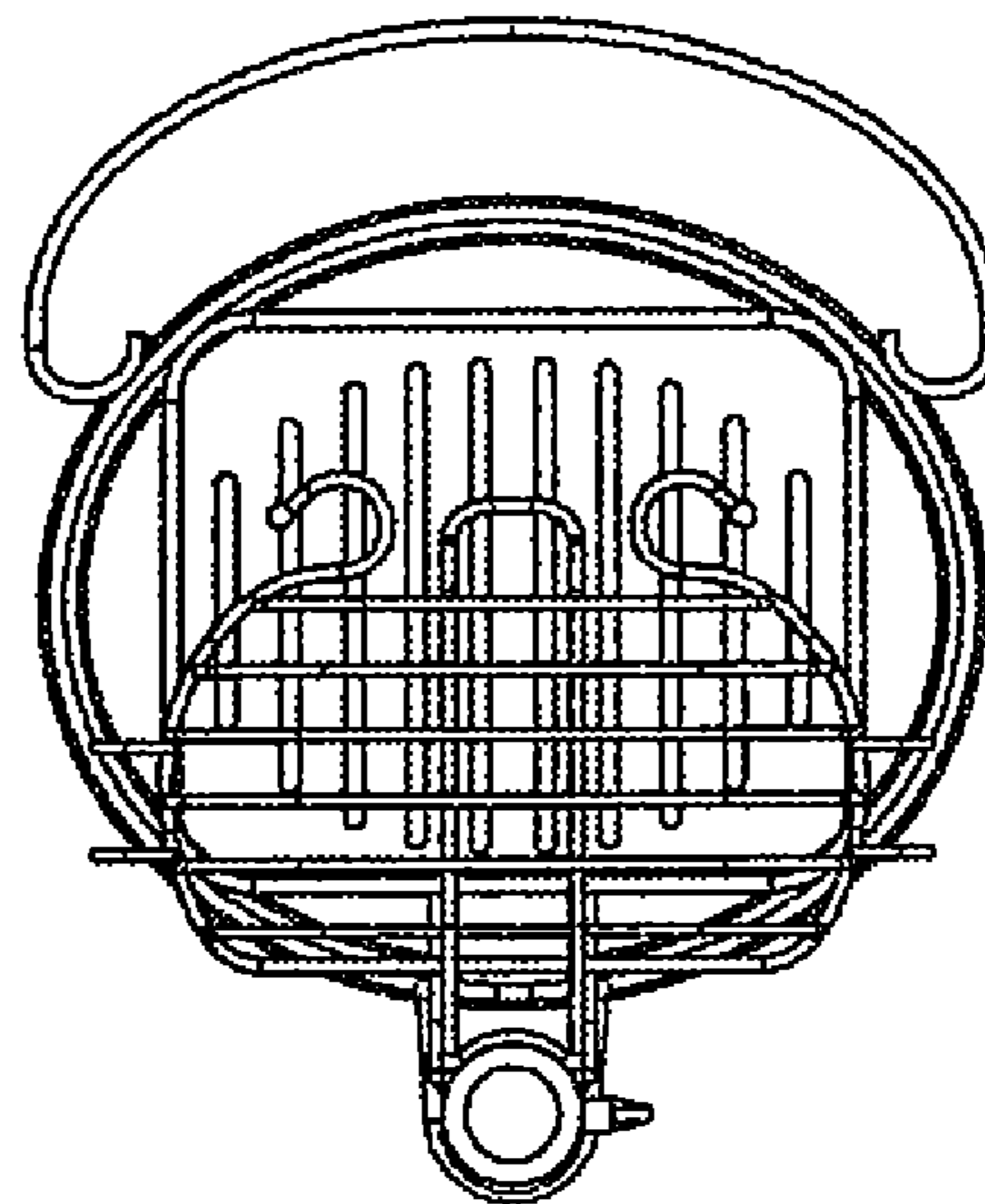


FIG. 6