



US00D641191S

(12) **United States Design Patent**
Walker

(10) **Patent No.:** **US D641,191 S**
(45) **Date of Patent:** **** Jul. 12, 2011**

(54) **SHOWER CADDY**
(75) Inventor: **David L. Walker**, Chester, PA (US)
(73) Assignee: **Zenith Products Corp.**, New Castle, DE (US)

D572,062 S * 7/2008 Snider D6/525
D573,387 S 7/2008 Walker
D575,087 S * 8/2008 Ghiorghie D6/525
D617,128 S * 6/2010 Guindi D6/525
D632,514 S * 2/2011 Didehvar et al. D6/525

* cited by examiner

(**) Term: **14 Years**

Primary Examiner — Brian N Vinson

(21) Appl. No.: **29/384,473**

(74) *Attorney, Agent, or Firm* — Panitch Schwarze Belisario & Nadel LLP

(22) Filed: **Jan. 31, 2011**

(51) **LOC (9) Cl.** **23-02**

(52) **U.S. Cl.** **D6/525**

(58) **Field of Classification Search** D6/524,
D6/525, 566, 536, 540; 211/13.1, 74, 71.01,
211/86.01, 75, 88.01, 90.01, 90.03, 106,
211/119, 126.1, 133.5, 181.1, 134
See application file for complete search history.

(57) **CLAIM**

The ornamental design for a shower caddy, as shown and described.

DESCRIPTION

FIG. 1 is a front perspective view of a shower caddy in accordance with my new design;
FIG. 2 is a front elevational view thereof;
FIG. 3 is a right side elevational view thereof, a mirror image of which is a left side elevational view thereof;
FIG. 4 is a top plan view thereof; and,
FIG. 5 is a bottom view thereof.

The broken lines in the figures are for illustrative purposes only and form no part of the claimed design.

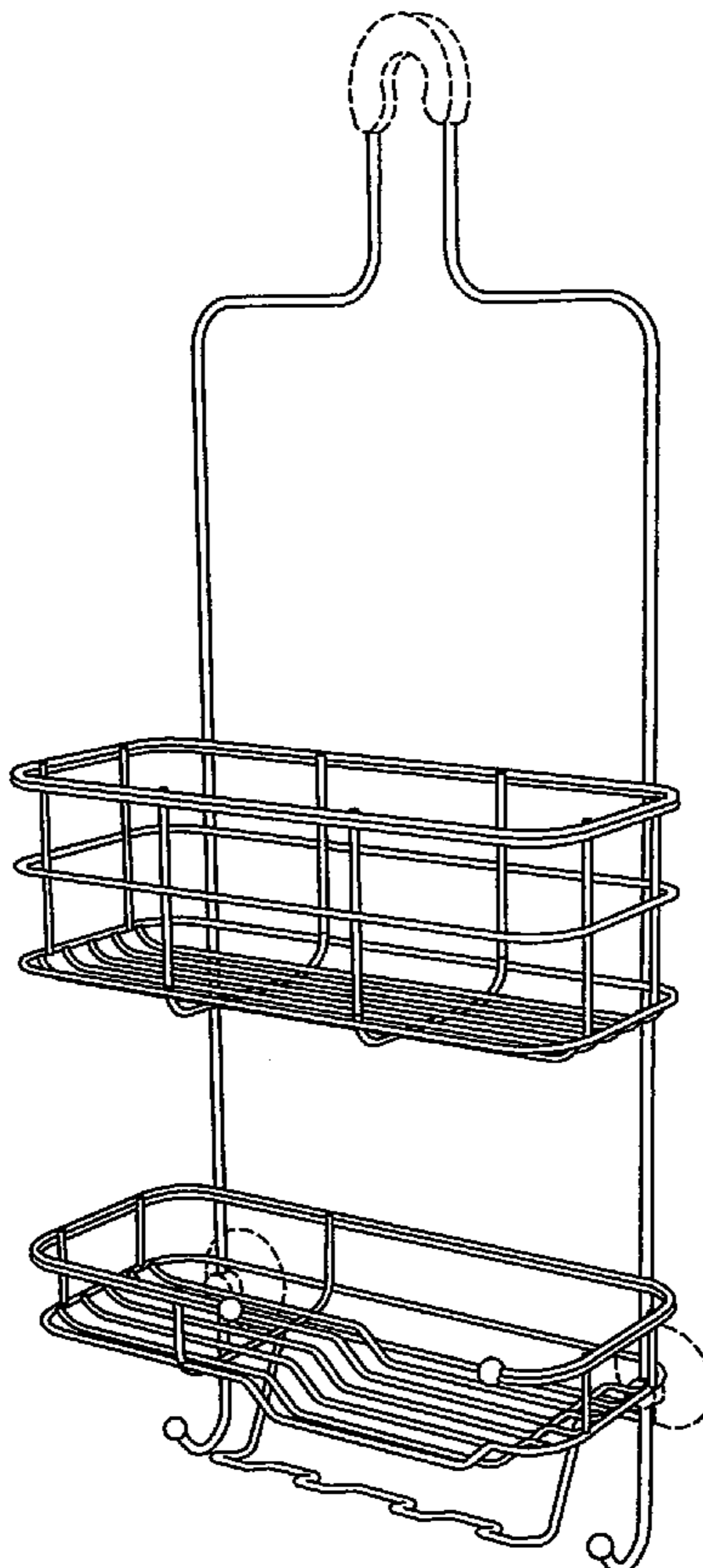
The rear elevational view of the shower caddy is not shown in the drawings or described in the specification and, therefore, forms no part of the claimed design.

(56) **References Cited**

U.S. PATENT DOCUMENTS

D417,991 S 12/1999 Hofman et al.
D472,747 S 4/2003 Walker
D498,102 S * 11/2004 Snell D6/525
D509,361 S 9/2005 Suero, Jr.
D530,551 S * 10/2006 Snell D6/525
D543,747 S 6/2007 Harwanko
D564,271 S * 3/2008 Snider D6/525
D566,991 S 4/2008 Harwanko

1 Claim, 3 Drawing Sheets



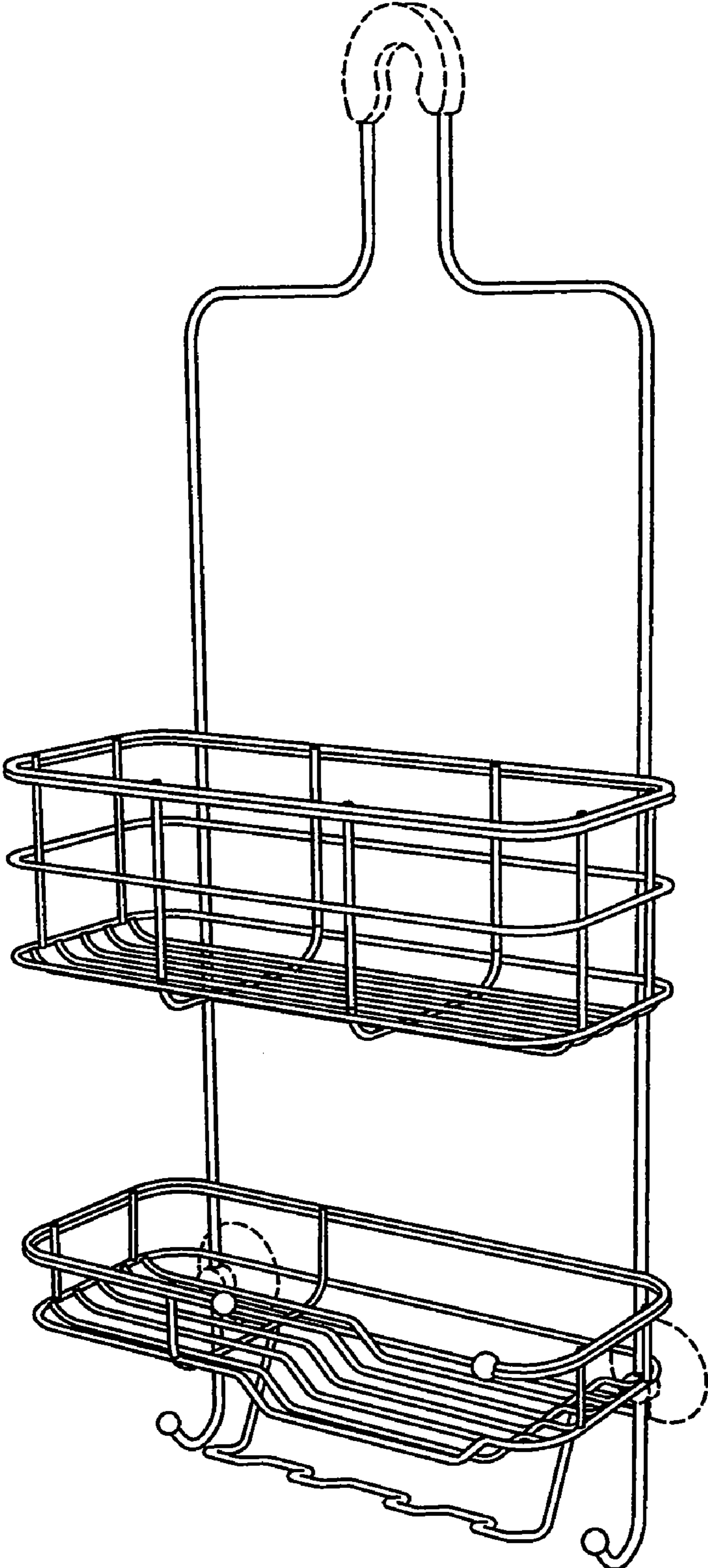


Fig. 1

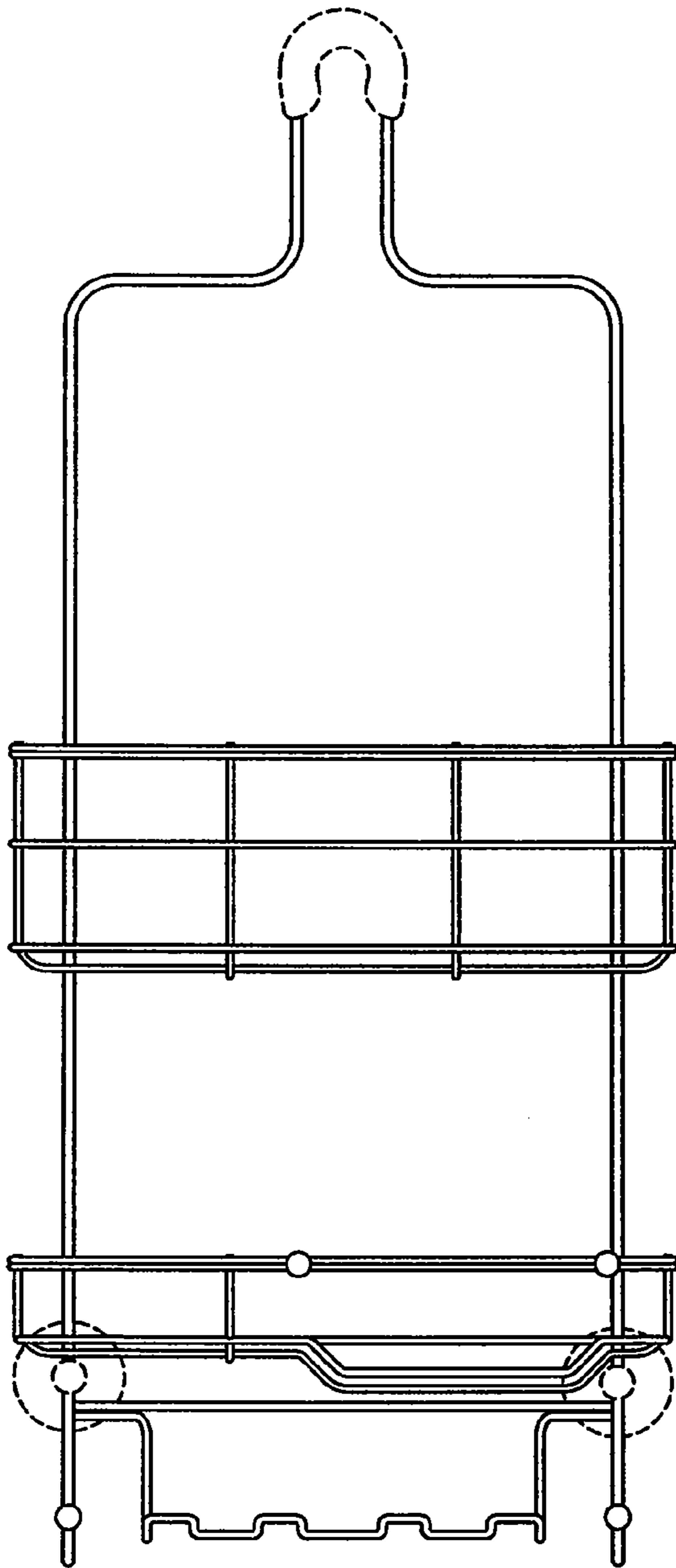


Fig. 2

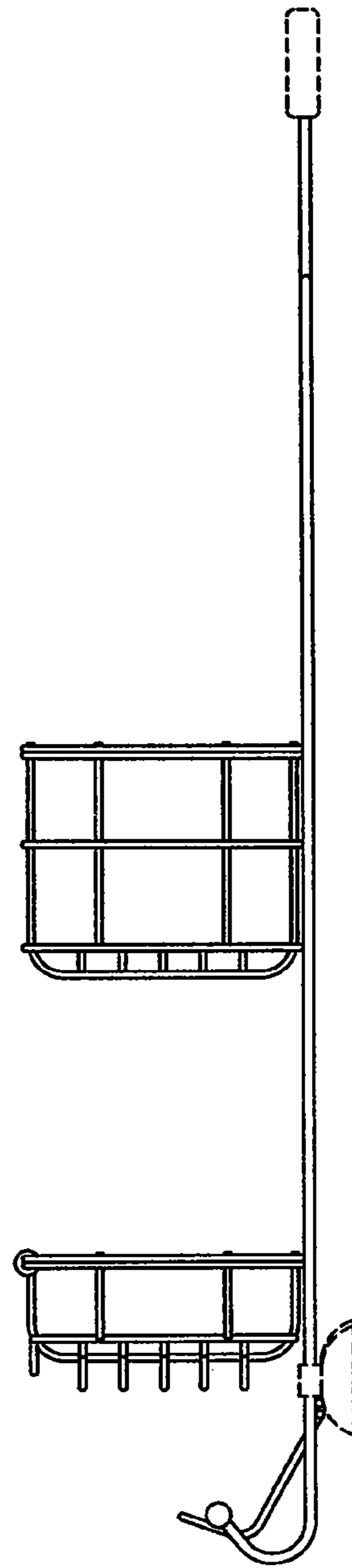


Fig. 3

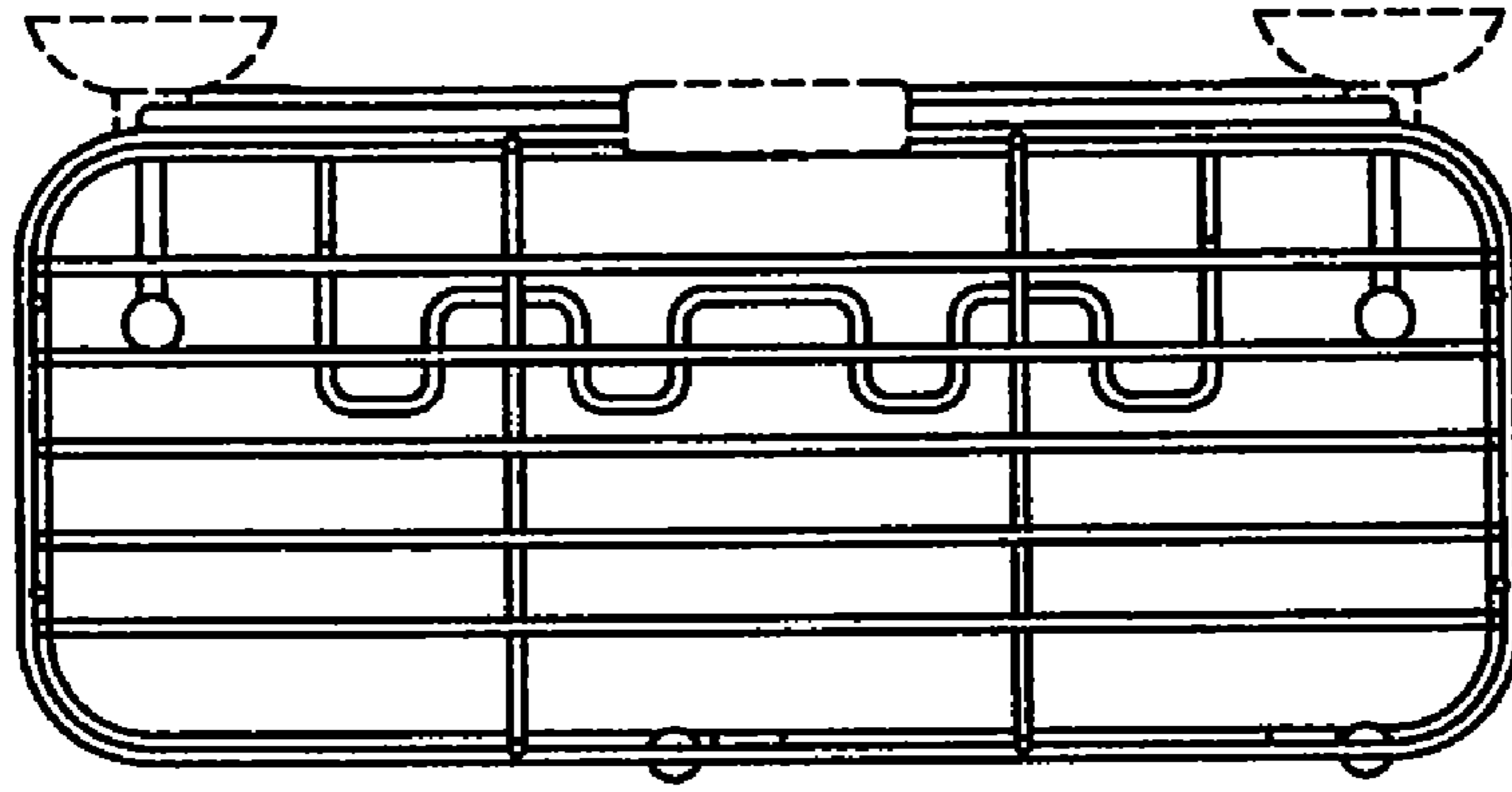


Fig. 4

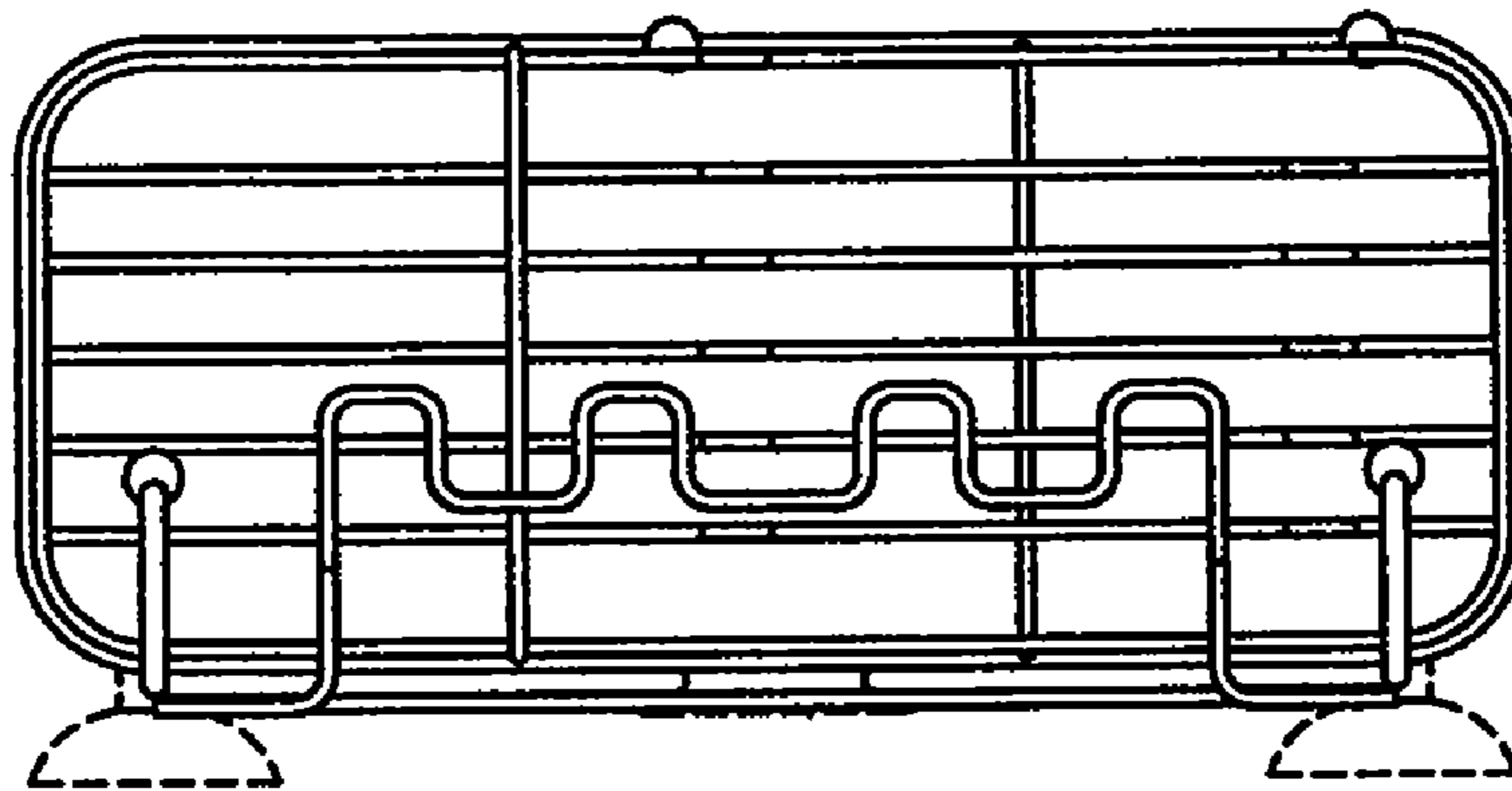


Fig. 5