



US00D641189S

(12) **United States Design Patent**
Klotz

(10) **Patent No.:** **US D641,189 S**

(45) **Date of Patent:** **** Jul. 12, 2011**

(54) **DRYING SHELF**

D637,815 S * 5/2011 Hsieh D3/313

* cited by examiner

(76) Inventor: **Jeffrey Klotz**, Erie, PA (US)

Primary Examiner — Elizabeth Albert

Assistant Examiner — Kelley Donnelly

(**) Term: **14 Years**

(74) *Attorney, Agent, or Firm* — Jonathan M. D’Silva;
MacDonald, Illig, Jones & Britton LLP

(21) Appl. No.: **29/389,078**

(22) Filed: **Apr. 6, 2011**

(57) **CLAIM**

(51) **LOC (9) Cl.** **06-02**

The ornamental design for a drying shelf, as shown and described.

(52) **U.S. Cl.** **D6/511**

(58) **Field of Classification Search** D6/396–397,
D6/449, 475, 465, 468, 510–511, 574; 211/34,
211/49.1, 85.26, 134; D3/304, 315, 317;
108/59–61, 91–93, 147.11, 158.11

DESCRIPTION

See application file for complete search history.

FIG. 1 is a perspective view of the drying shelf of my design;
FIG. 2 is a perspective view of the drying shelf shown in
environment;

FIG. 3 is a perspective view of a drying shelf shown in
environment;

FIG. 4 is a perspective view of the drying shelf in an exploded
view;

FIG. 5 is a front view of the drying shelf shown in FIG. 1;

FIG. 6 is a rear view of the drying shelf shown in FIG. 1; and

FIG. 7 is a top view of the drying shelf shown in FIG. 1;

FIG. 8 is a bottom view of the drying shelf shown in FIG. 1;

FIG. 9 is a right view of the drying shelf shown in FIG. 1; and,

FIG. 10 is a left view of the drying shelf shown in FIG. 1.

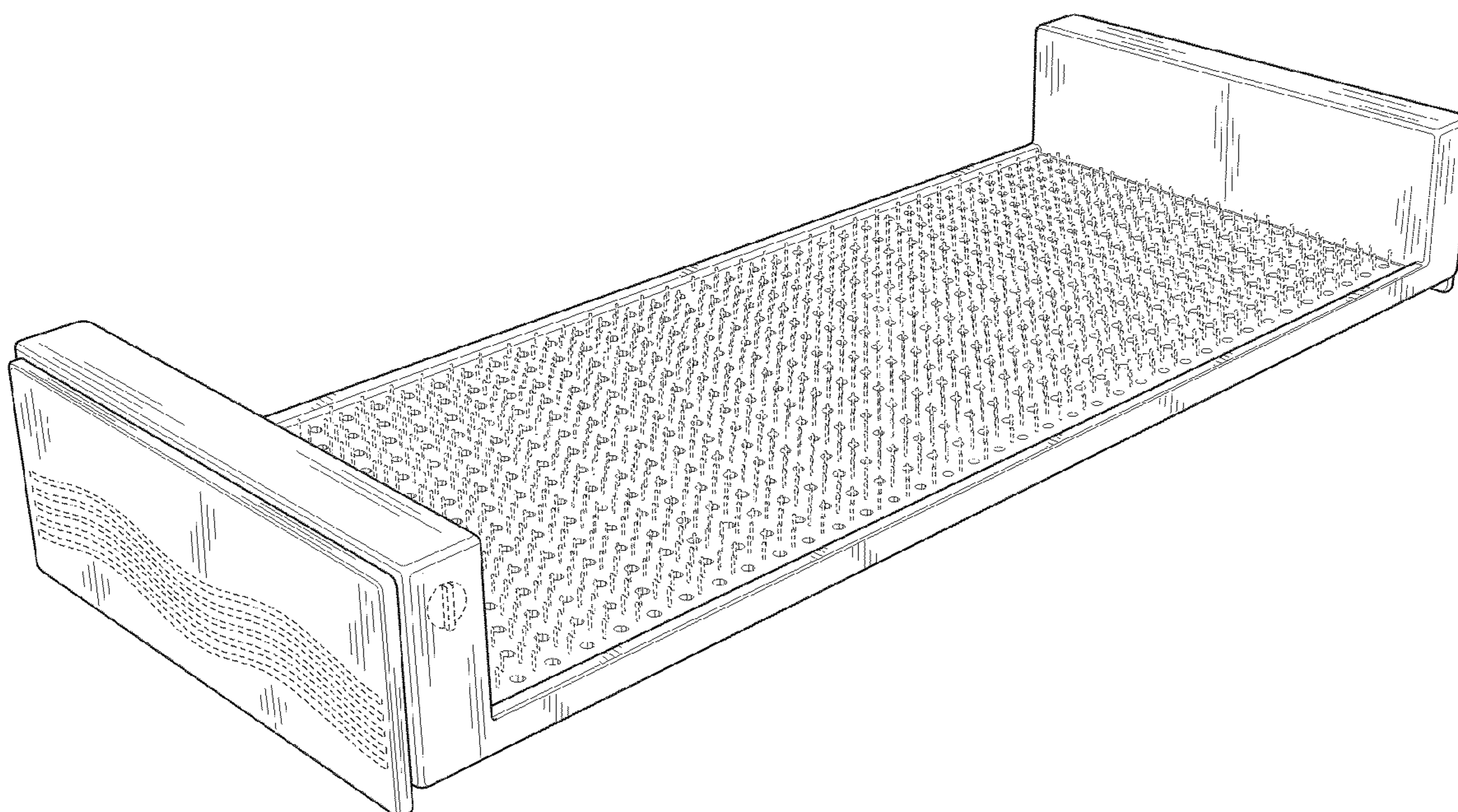
The bottom grid of the Shelf consisting of the small circular
openings and the surrounding surface are claimed. The many
small broken line spindles that stand up from the bottom
surface of the Shelf, the broken line wavy pattern, and other
features shown in FIGS. 1, 2, 3, 4, 5, 6, 7, 9, and 10 are
included for the purpose of illustrating the environment of the
design only and form no part of the claimed design.

(56) **References Cited**

U.S. PATENT DOCUMENTS

D329,764 S *	9/1992	Evans	D6/462
D358,733 S *	5/1995	Paul	D6/574
D391,719 S *	3/1998	Anderson	D32/58
D430,985 S *	9/2000	Jackson et al.	D6/574
D454,737 S *	3/2002	Carrabba	D6/511
D475,554 S *	6/2003	Ming-Shiue	D6/449
D483,204 S *	12/2003	Chang	D6/475
D519,769 S *	5/2006	Hoernig	D6/574
D520,239 S *	5/2006	Rand et al.	D3/304
D520,288 S *	5/2006	Grosfillex	D6/574
D520,795 S *	5/2006	Kivett	D6/574
D530,540 S *	10/2006	Stravitz	D6/473
D552,900 S *	10/2007	Wilenius	D6/509
D592,891 S *	5/2009	Alfonso	D6/479
D621,193 S *	8/2010	Bauchet et al.	D6/574

1 Claim, 4 Drawing Sheets



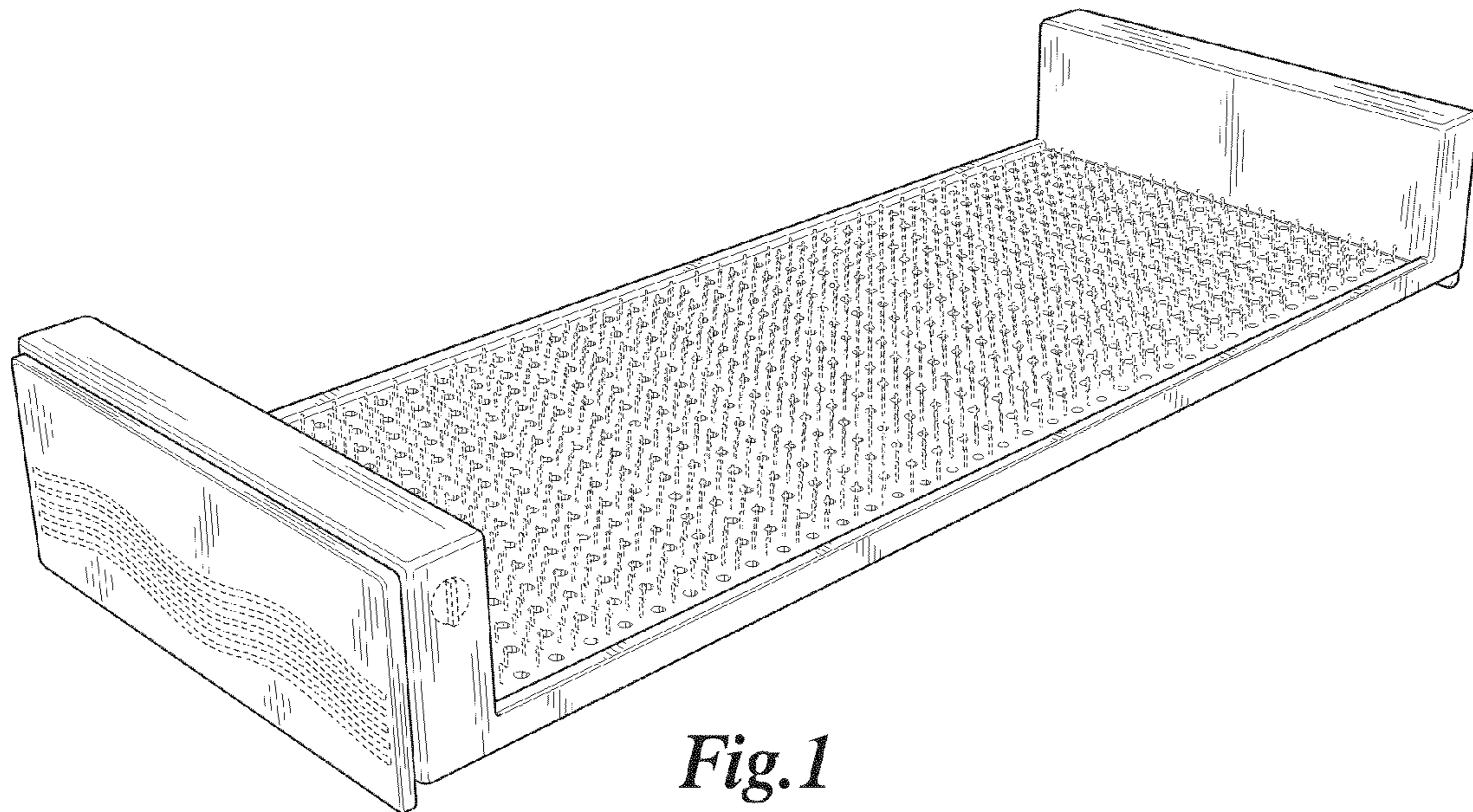


Fig. 1

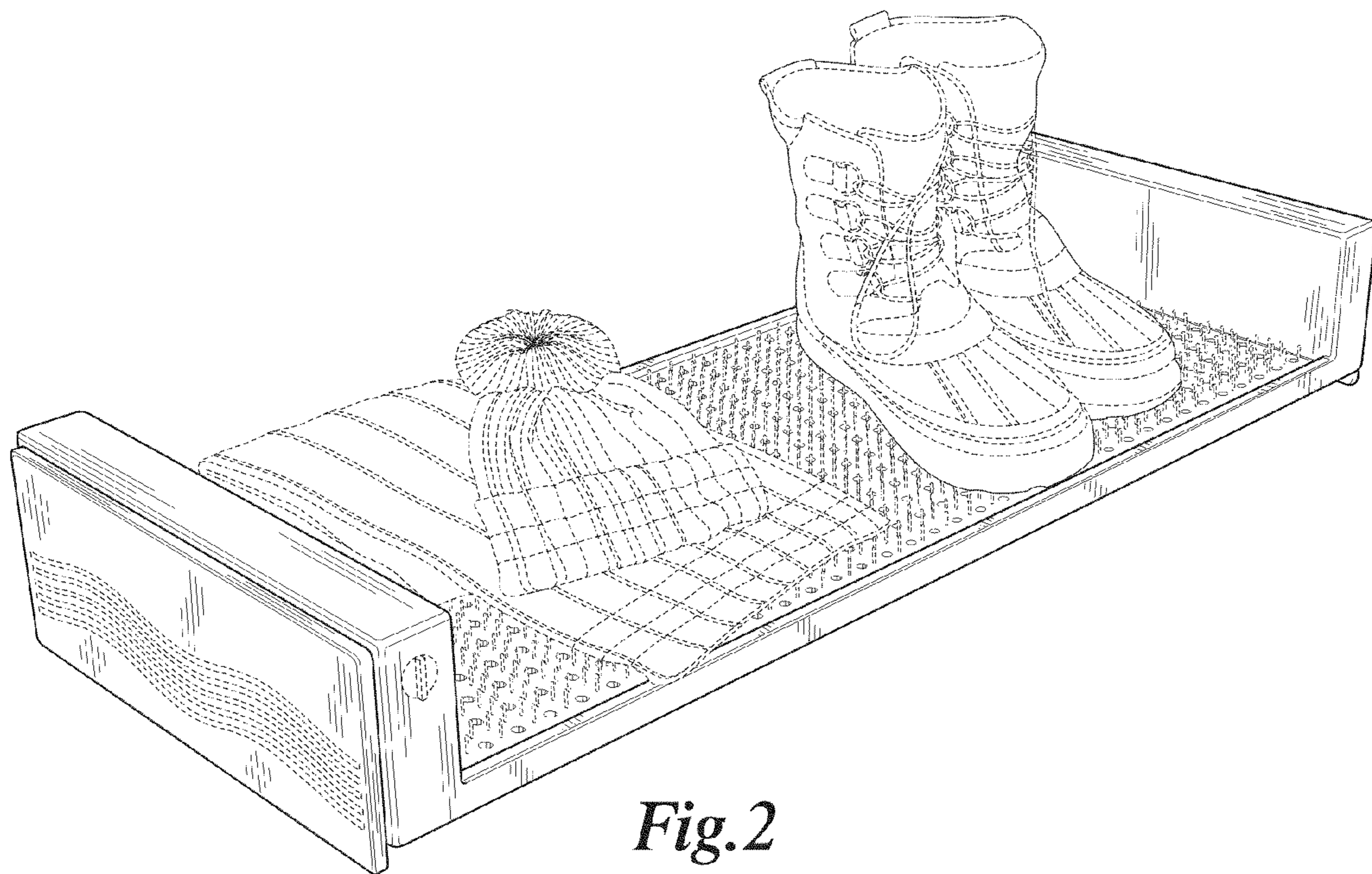


Fig. 2

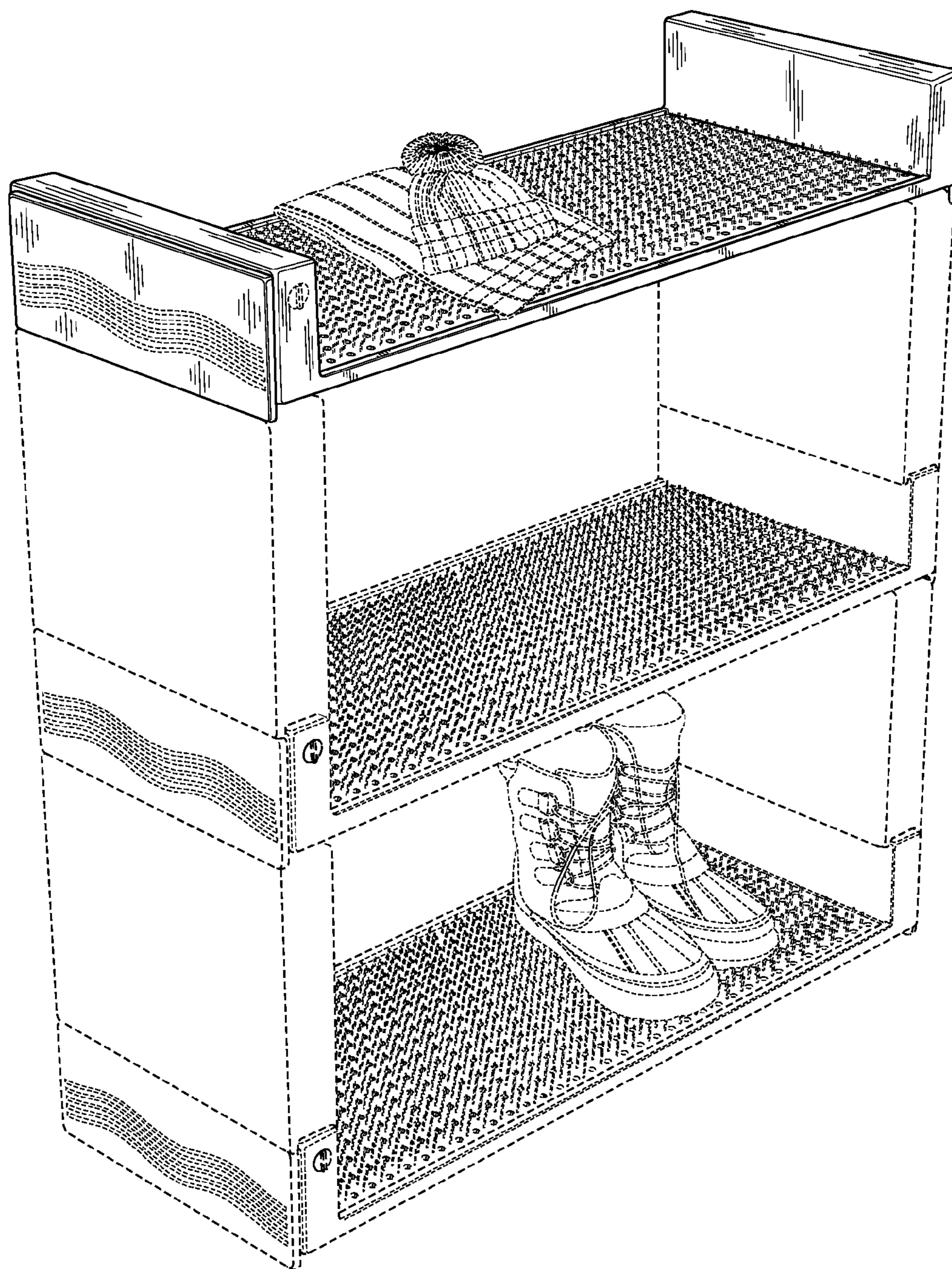


Fig.3

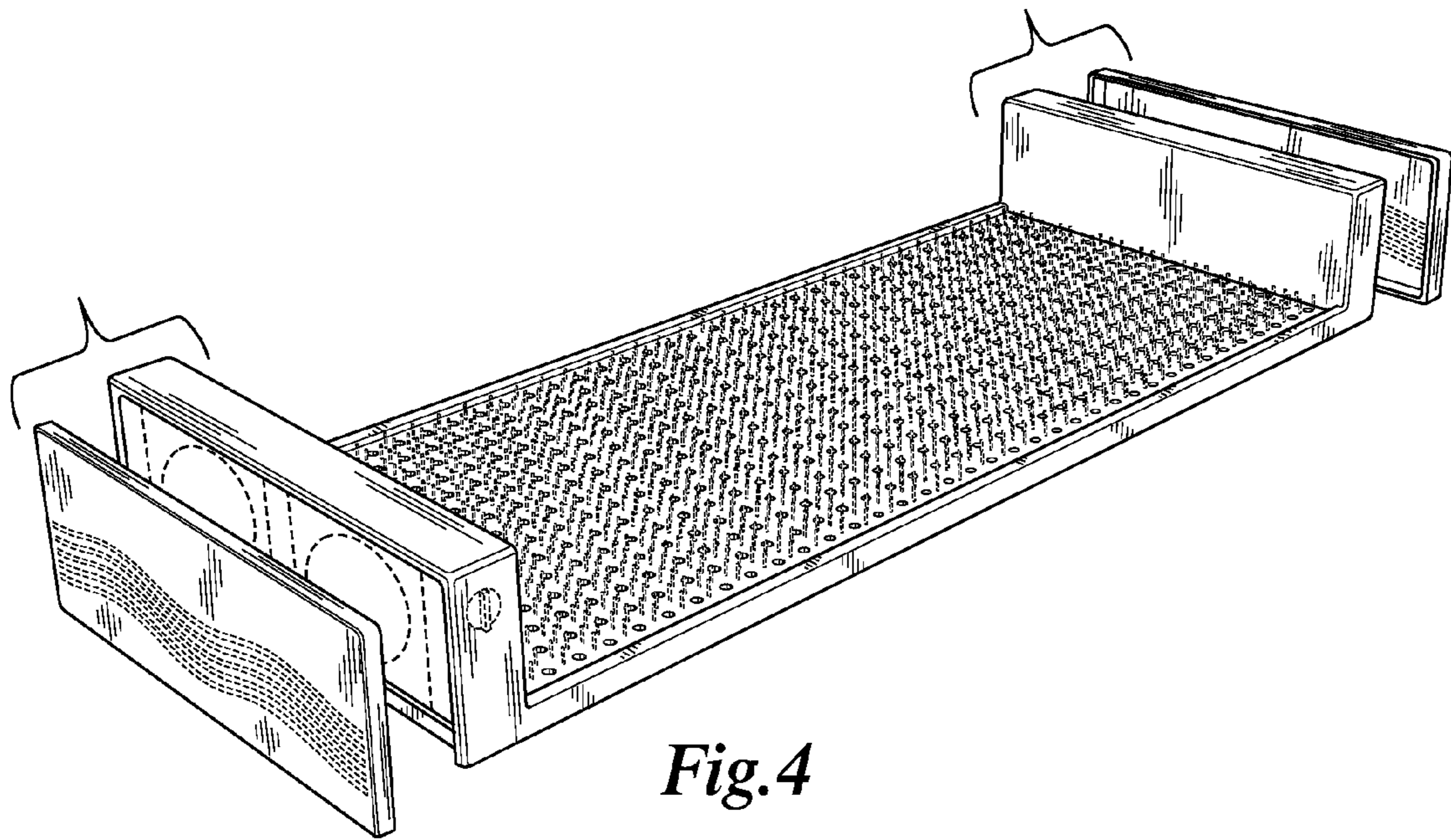


Fig.4

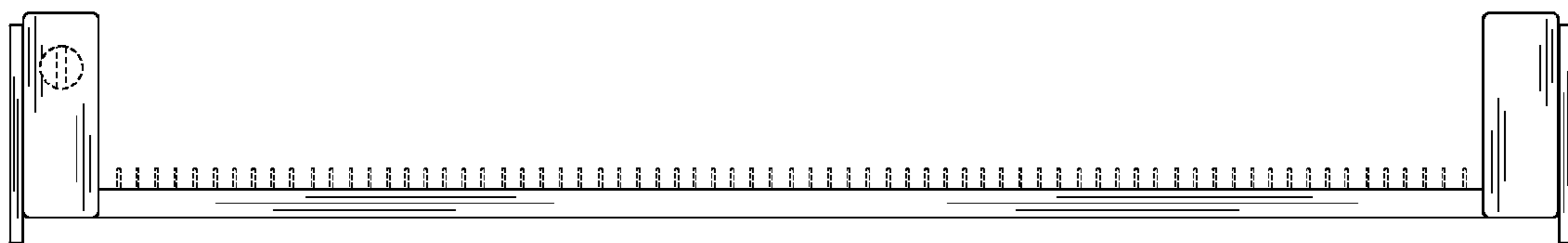


Fig.5

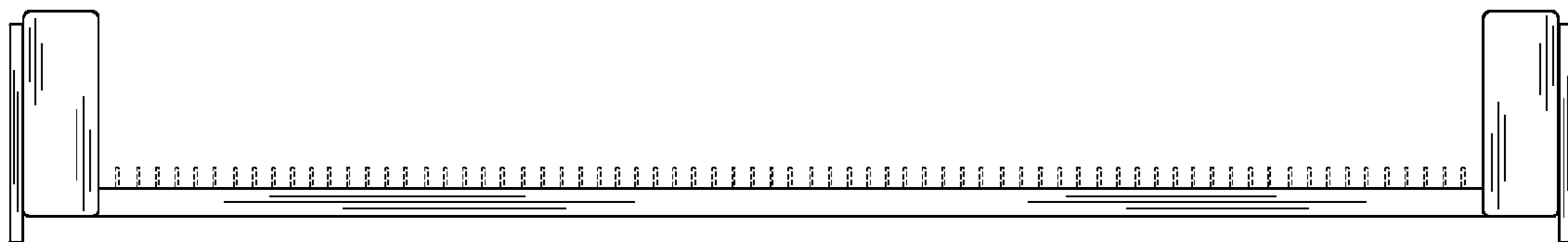


Fig.6

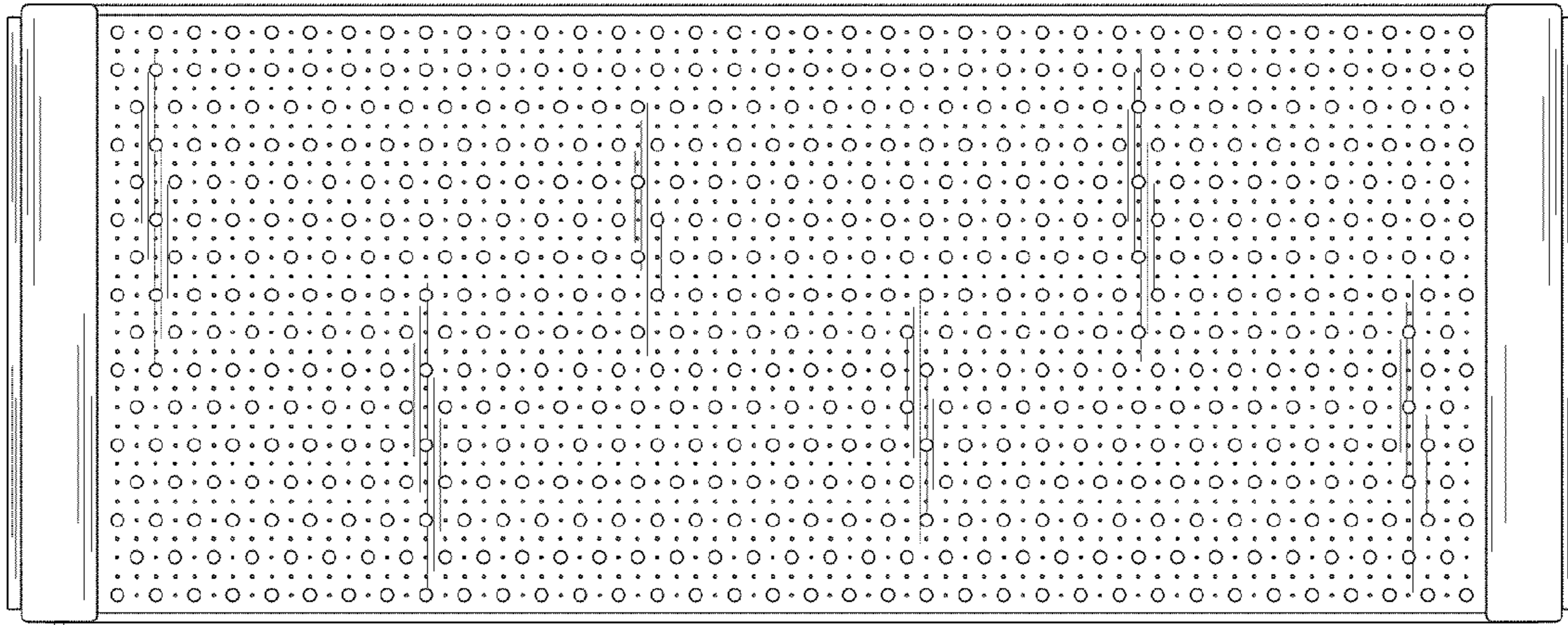


Fig. 7

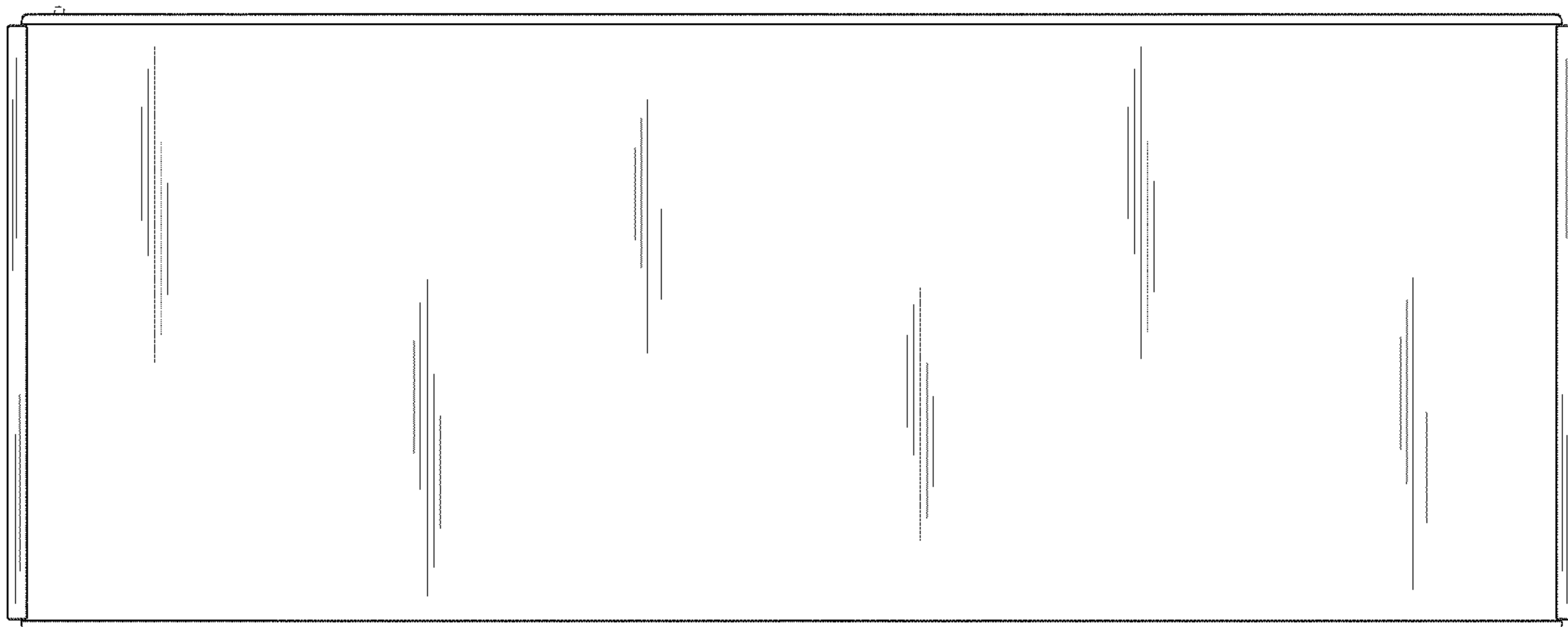


Fig. 8

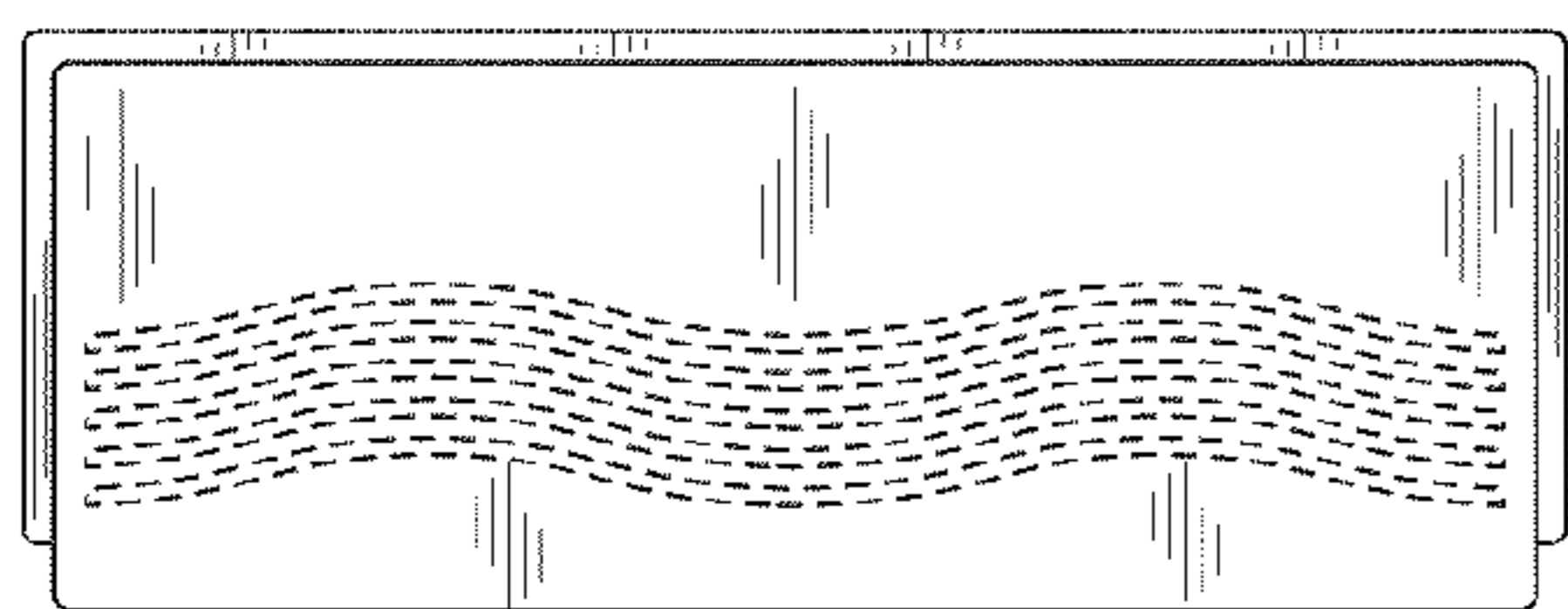


Fig. 9

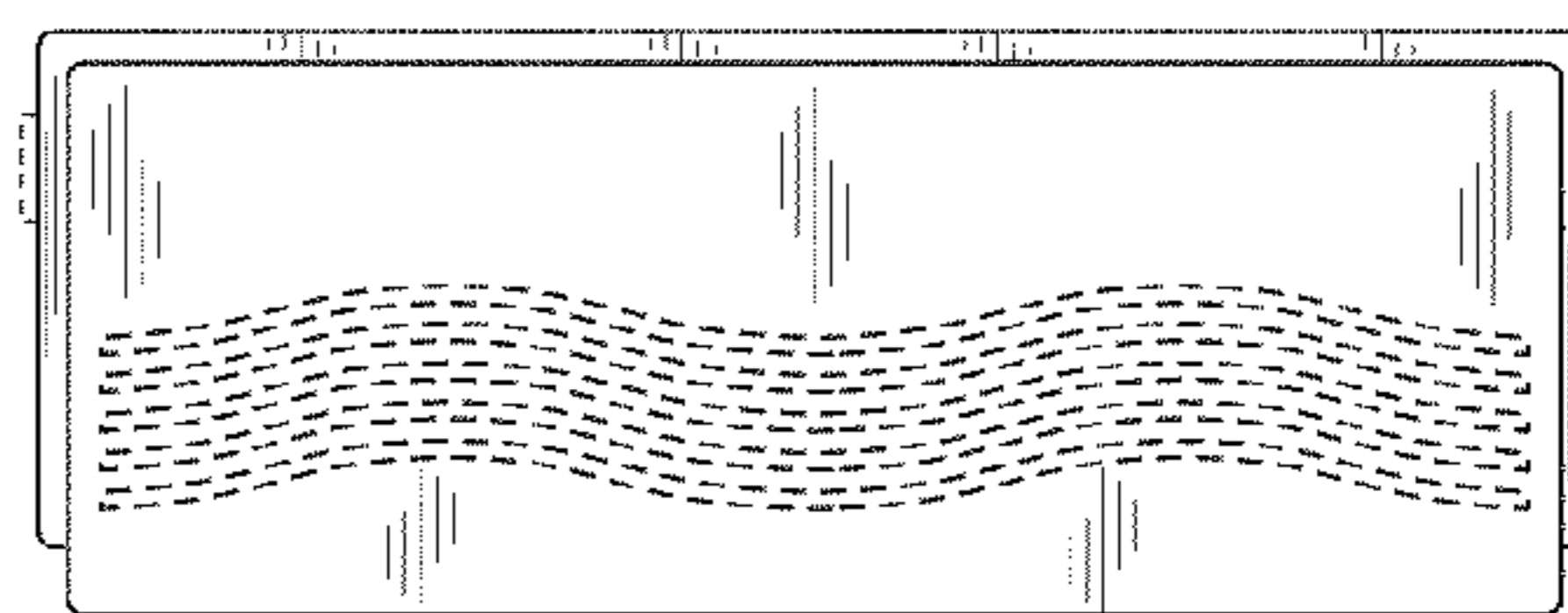


Fig. 10