



US00D641186S

(12) **United States Design Patent**
Martin et al.

(10) **Patent No.:** **US D641,186 S**
(45) **Date of Patent:** **** Jul. 12, 2011**

(54) **SUPPORT**

(75) Inventors: **Kirt Martin**, Alto, MI (US); **David Eberlein**, Hudsonville, MI (US)
(73) Assignee: **Steelcase Inc.**, Grand Rapids, MI (US)
(**) Term: **14 Years**
(21) Appl. No.: **29/362,943**
(22) Filed: **Jun. 2, 2010**

(51) **LOC (9) Cl.** **06-04**
(52) **U.S. Cl.** **D6/495**
(58) **Field of Classification Search** D6/492,
D6/334, 335, 336, 367, 396, 397, 449, 451,
D6/509; 182/186.5, 186.4, 181.1, 153; D25/67;
211/183, 134, 1
See application file for complete search history.

(56) **References Cited**

U.S. PATENT DOCUMENTS

983,903	A	2/1911	Horton	
2,903,316	A	9/1959	Schmidt	
4,951,782	A *	8/1990	Hanson	182/153
D322,133	S *	12/1991	Corneau et al.	D25/67
D379,278	S *	5/1997	Zeinfeld et al.	D6/492
6,059,071	A *	5/2000	Appezato	182/181.1
6,129,180	A *	10/2000	Brady	182/186.4
2005/0115768	A1 *	6/2005	Frey	182/186.5
2006/0162626	A1	7/2006	Brauning et al.	
2008/0224580	A1	9/2008	Gibbs et al.	
2008/0295745	A1	12/2008	Hamilton et al.	

FOREIGN PATENT DOCUMENTS

WO WO 2005001219 A2 * 1/2005
* cited by examiner

Primary Examiner — Phillip S Hyder
Assistant Examiner — Sydney Buffalow
(74) *Attorney, Agent, or Firm* — Quarles & Brady LLP

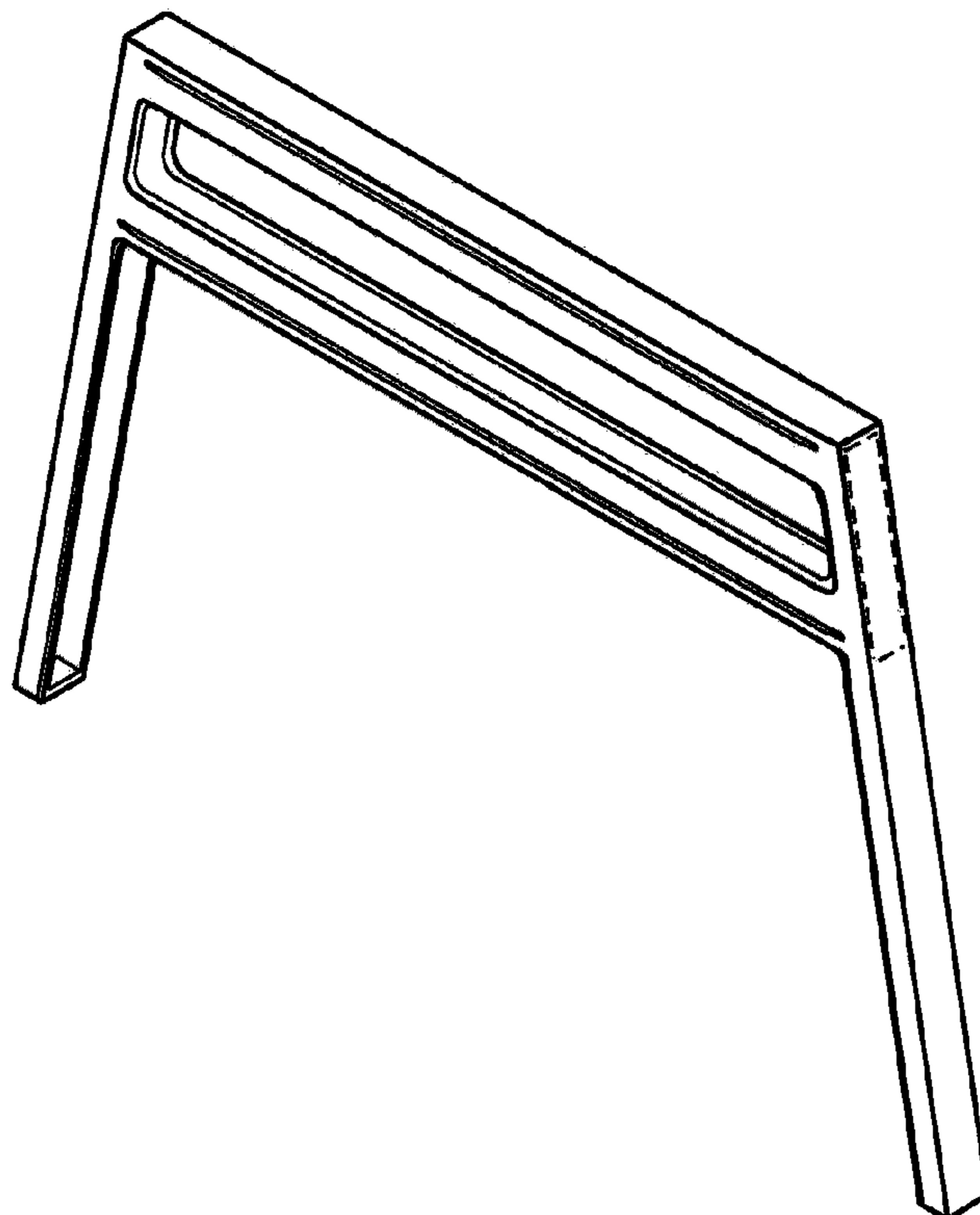
(57) **CLAIM**

The ornamental design for a support, as shown and described.

DESCRIPTION

FIG. 1 is a right, top, front perspective view of a support embodying our new design;
FIG. 2 is a front elevational view thereof, the rear elevational view thereof being a mirror image of the front shown;
FIG. 3 is a top plan view thereof;
FIG. 4 is a right side elevational view thereof, the left side elevational view thereof being a mirror image of the right side shown;
FIG. 5 is bottom plan view thereof;
FIG. 6 is a front elevation view thereof; wherein the upper support structure is shown for purposes of environment; and,
FIG. 7 is a front elevation view thereof, wherein the upper support structure is shown for purposes of environment.
The broken line representations in the figures are for the purpose of illustration only, and form no part of the claimed design.
In a preferred embodiment, the nature of this product is a support which is primarily useful for supporting a work surface, such as the end of a desk top, table top and the like.

1 Claim, 4 Drawing Sheets



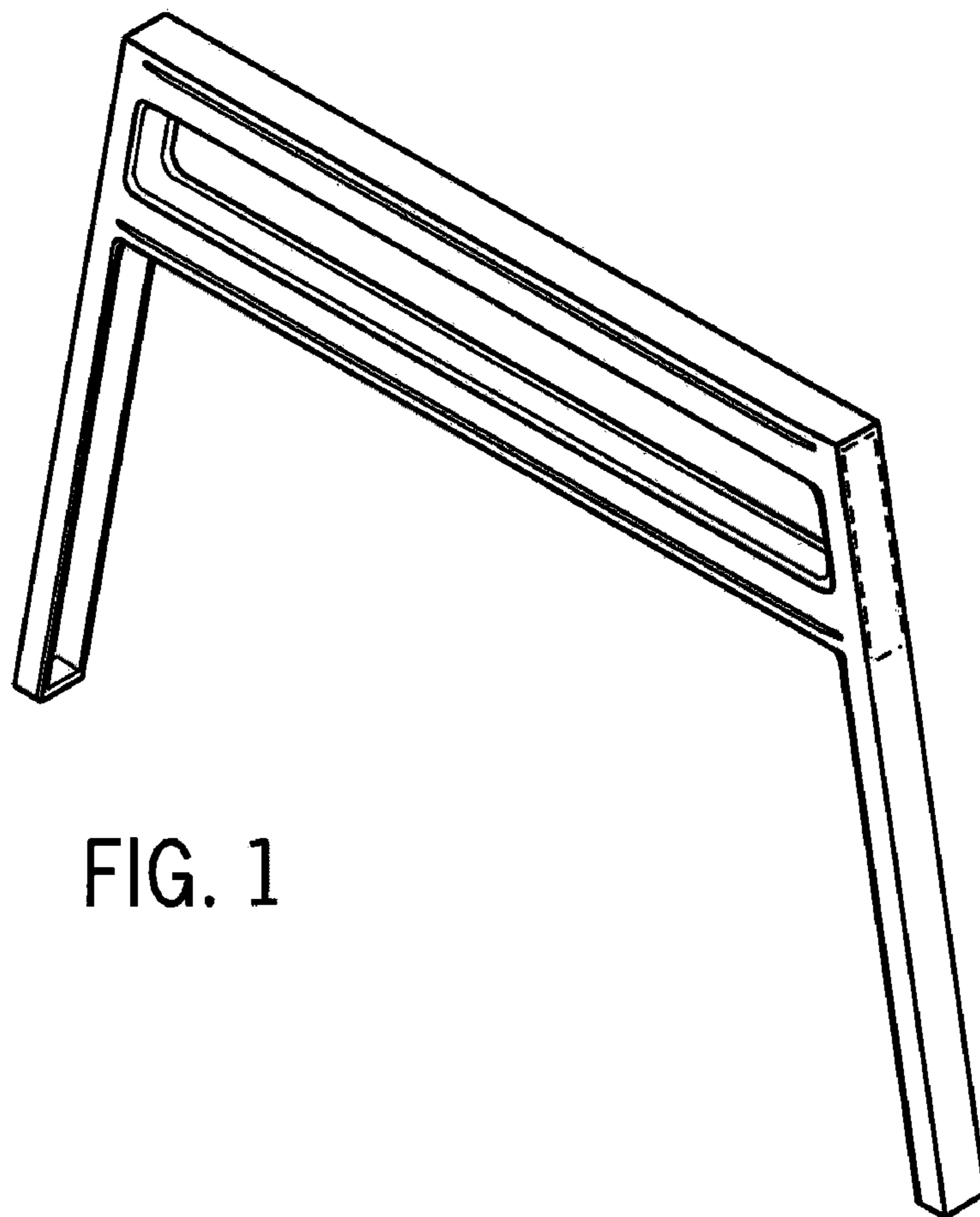


FIG. 1

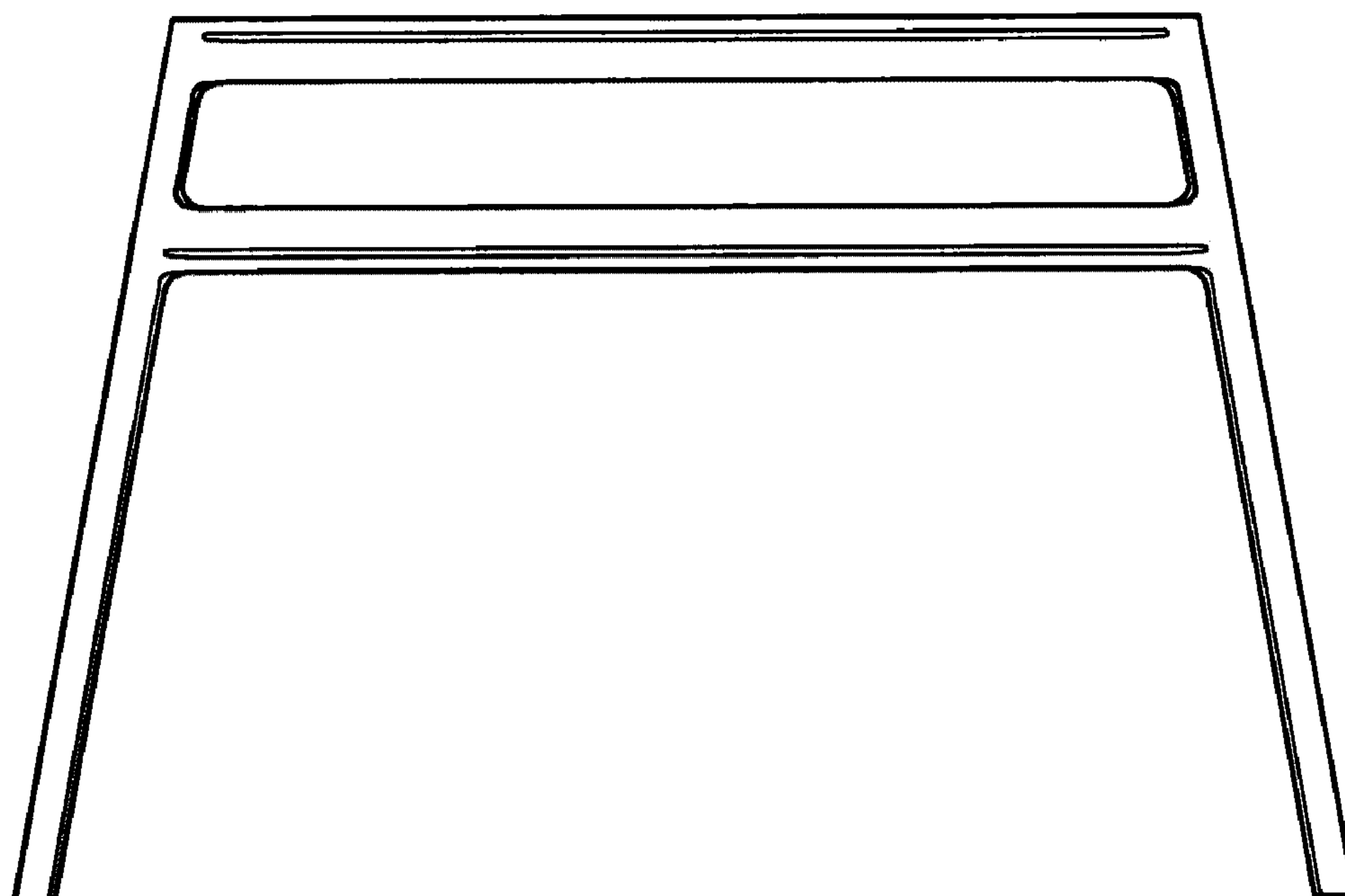


FIG. 2



FIG. 3



FIG. 4



FIG. 5

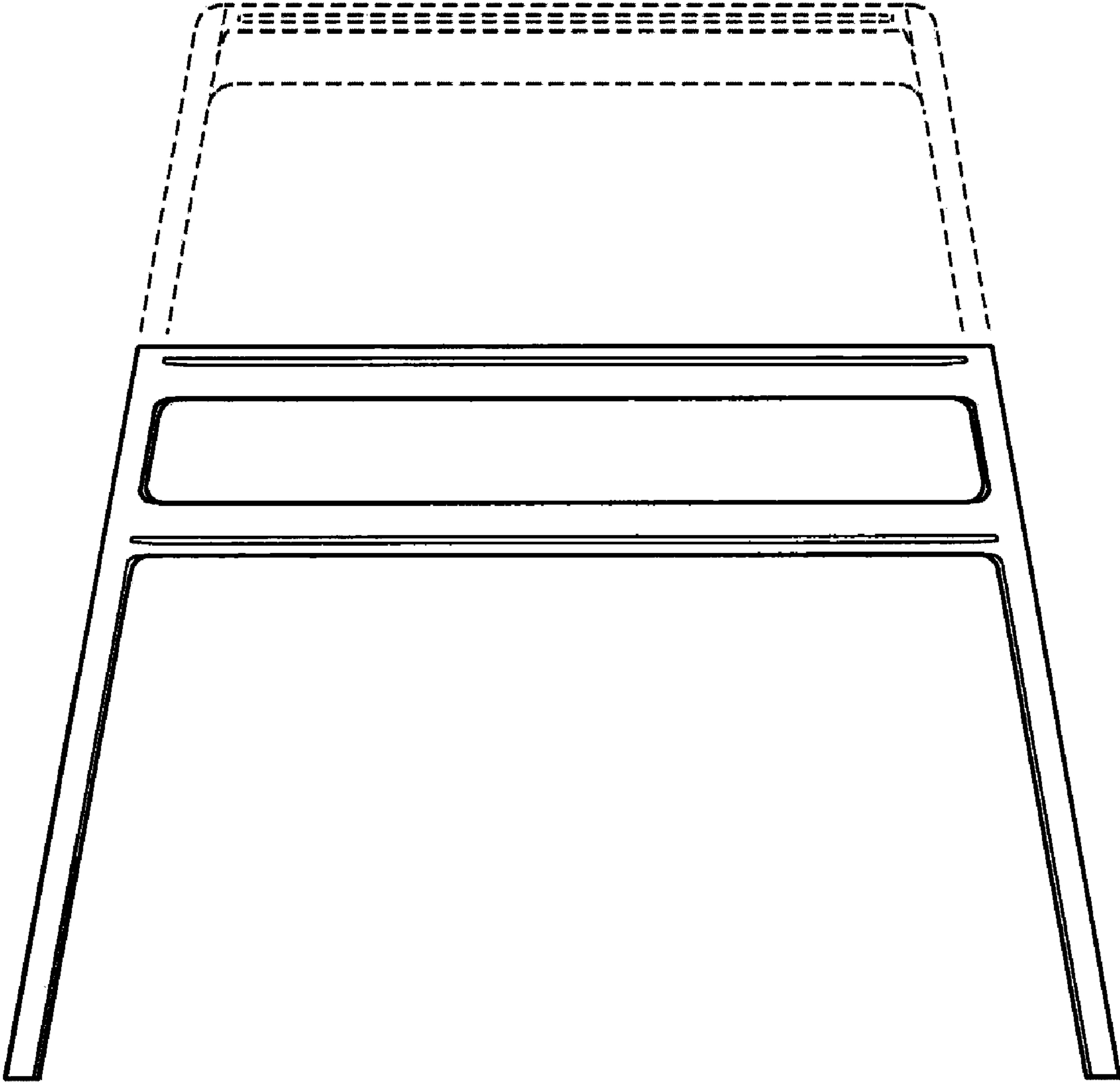


FIG. 6

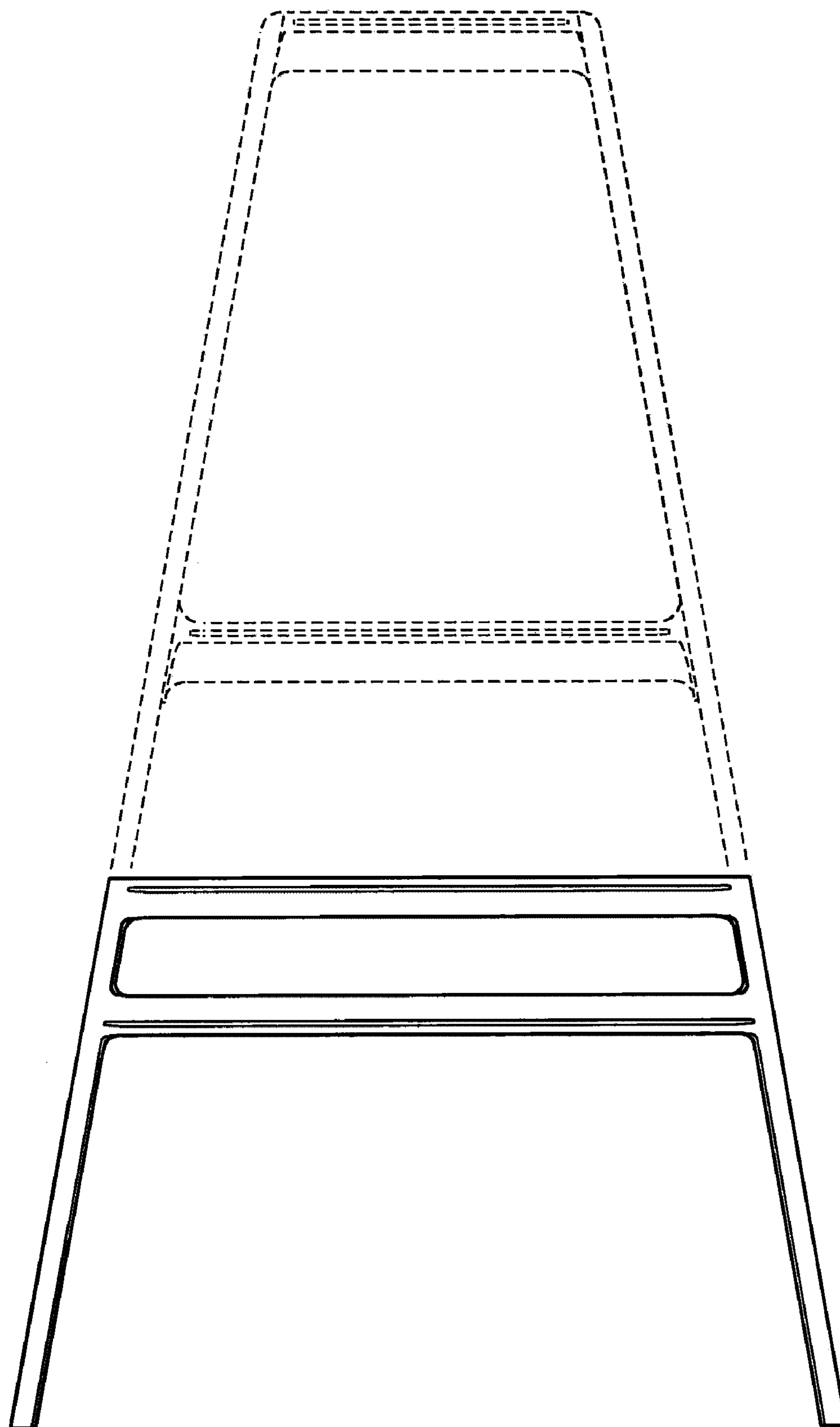


FIG. 7