



US00D641185S

(12) **United States Design Patent**
Schopmeyer

(10) **Patent No.:** **US D641,185 S**

(45) **Date of Patent:** **** Jul. 12, 2011**

(54) **FRETWORK**

D447,355 S * 9/2001 Copeland D6/380
D491,383 S * 6/2004 Swy et al. D6/380
D574,620 S * 8/2008 Lowsky D6/370

(75) Inventor: **Jesse Thomas Schopmeyer**, Morganton,
NC (US)

(73) Assignee: **Broyhill Furniture Industries, Inc.**,
Lenoir, NC (US)

(**) Term: **14 Years**

(21) Appl. No.: **29/316,877**

(22) Filed: **Nov. 10, 2009**

(51) **LOC (9) Cl.** **06-06**

(52) **U.S. Cl.** **D6/495; D6/492; D6/502**

(58) **Field of Classification Search** D6/480-489,
D6/495, 499, 451, 429-431, 370, 502, 492,
D6/494, 491; 108/153.1, 156, 157, 161;
248/188, 188.1, 188.7, 188.8

See application file for complete search history.

(56) **References Cited**

U.S. PATENT DOCUMENTS

D311,098 S * 10/1990 Lee et al. D6/380
D322,766 S * 12/1991 Leis et al. D11/132
D340,821 S * 11/1993 Gibilterra D6/488
D362,770 S * 10/1995 Green D6/480
D363,622 S * 10/1995 Walters et al. D6/477
D413,460 S * 9/1999 Schroeder D6/480
D421,354 S * 3/2000 Walters et al. D6/492

OTHER PUBLICATIONS

U.S. Appl. No. 29/316,843, filed Nov. 6, 2009, Schopmeyer.
U.S. Appl. No. 29/316,842, filed Nov. 6, 2009, Schopmeyer.
U.S. Appl. No. 29/316,879, filed Nov. 10, 2009, Schopmeyer.
Color Photograph of wall hanging shown in catalog (source unknown).

* cited by examiner

Primary Examiner — Janice Seeger

(74) *Attorney, Agent, or Firm* — Kilpatrick Townsend &
Stockton LLP

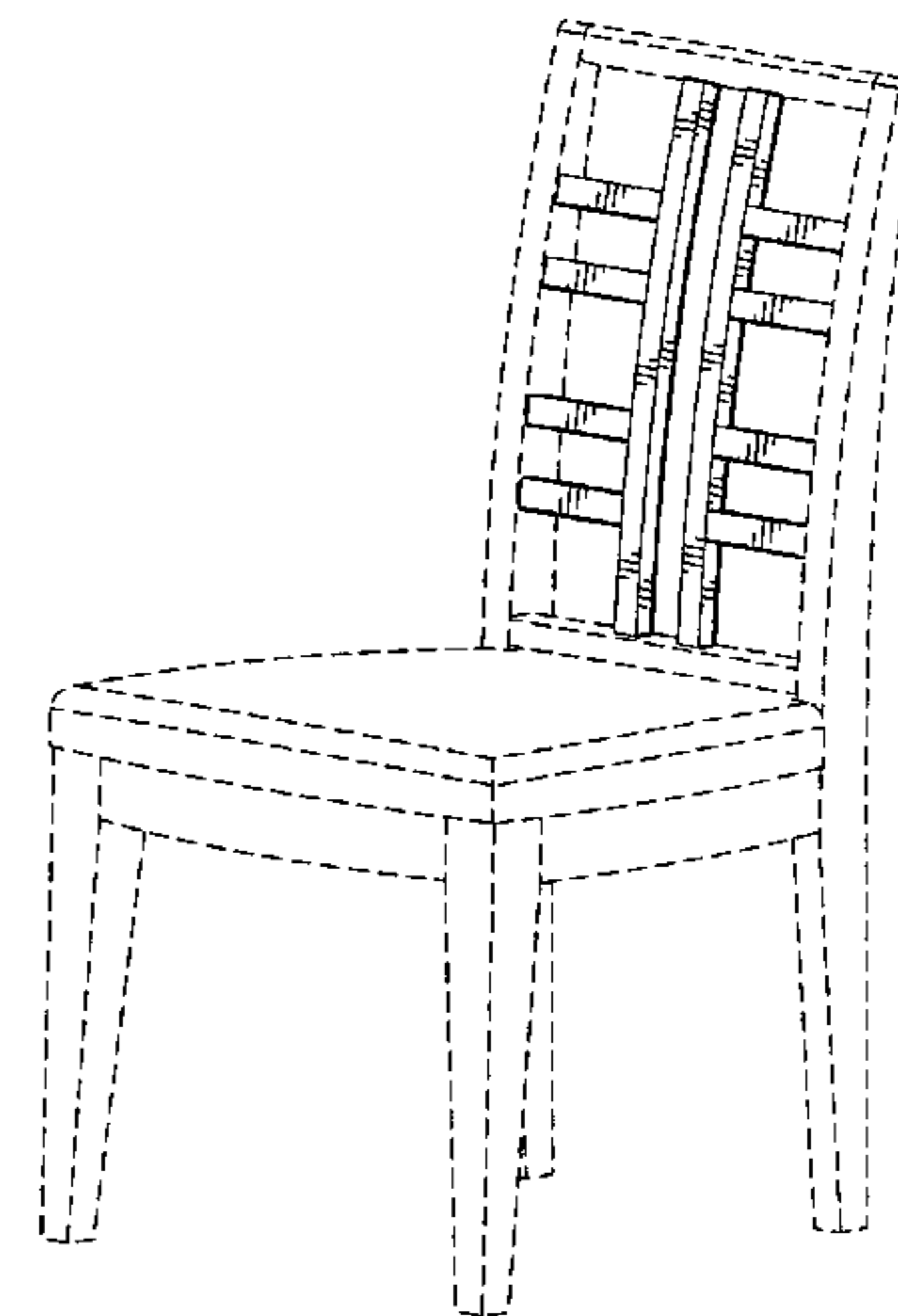
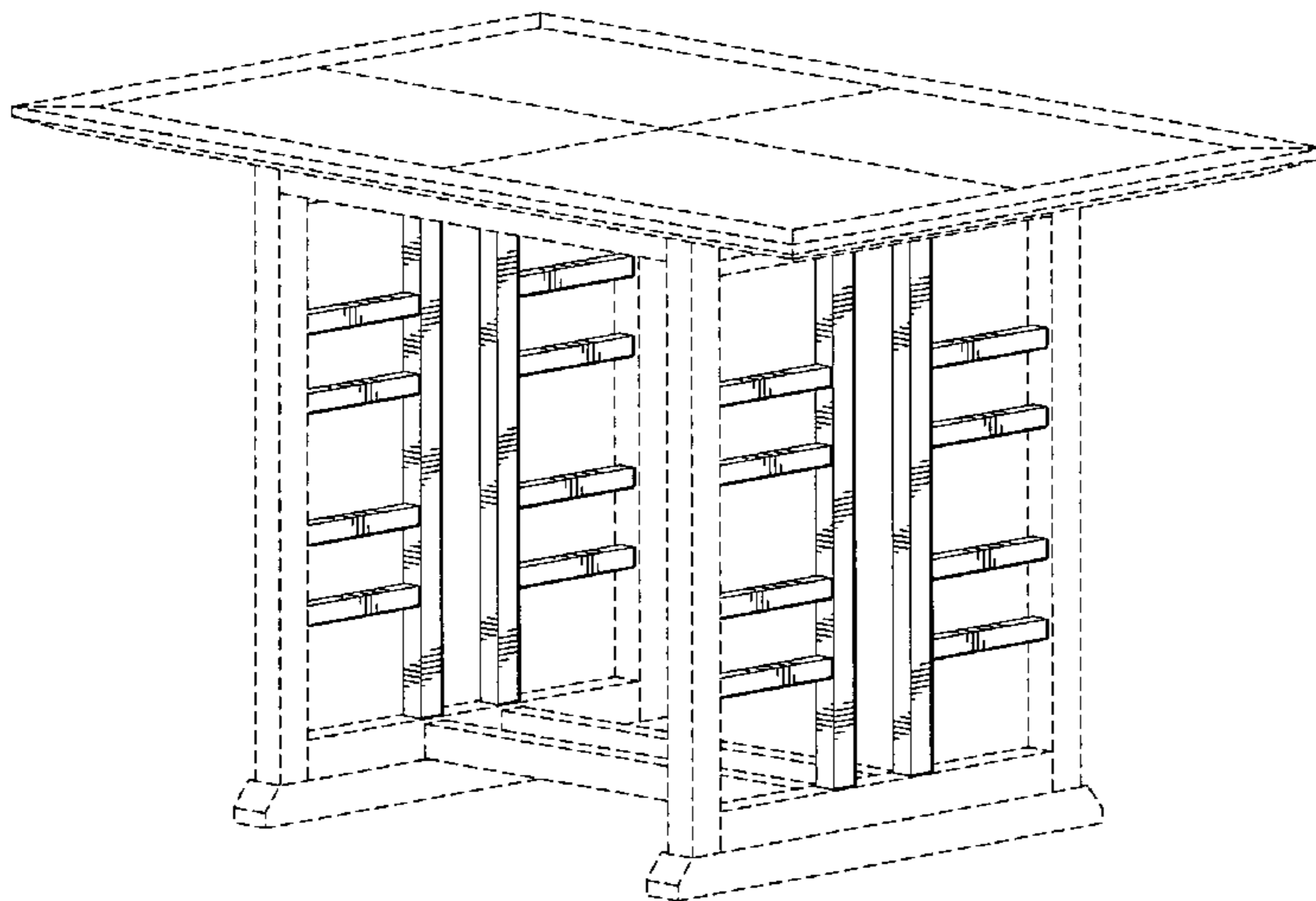
(57) **CLAIM**

The ornamental design for a fretwork, as shown and described.

DESCRIPTION

FIG. 1 a perspective view of a fretwork, showing my new design;
FIG. 2 is a front elevational view thereof;
FIG. 3 is a right side elevational thereof, the left side being identical thereto;
FIG. 4 is a top plan view thereof;
FIG. 5 is a bottom plan view thereof; and,
FIG. 6 is a perspective view showing a second embodiment in an alternate environment.
In the drawings, the broken lines form no part of the claimed design.

1 Claim, 6 Drawing Sheets



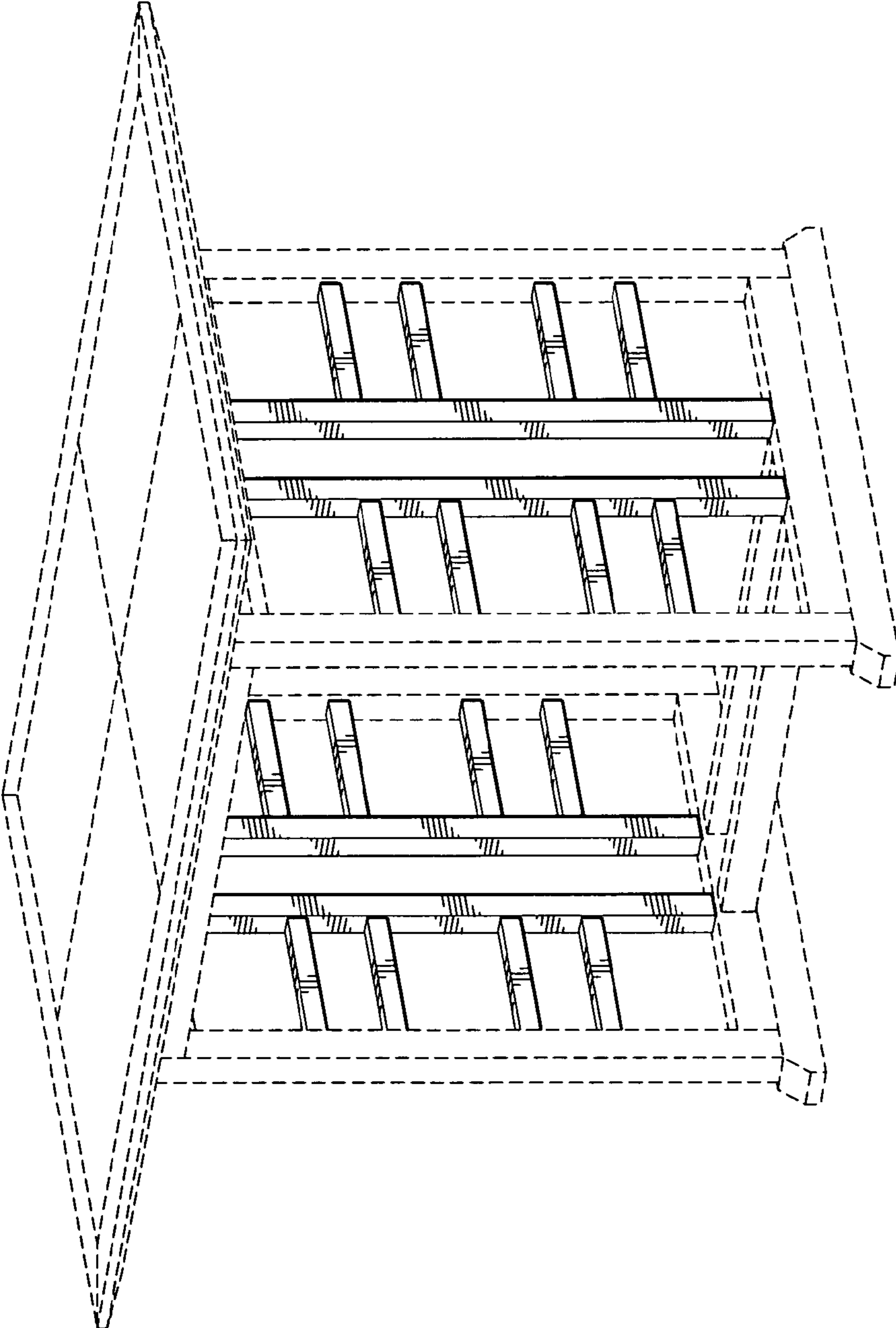


FIG. 1

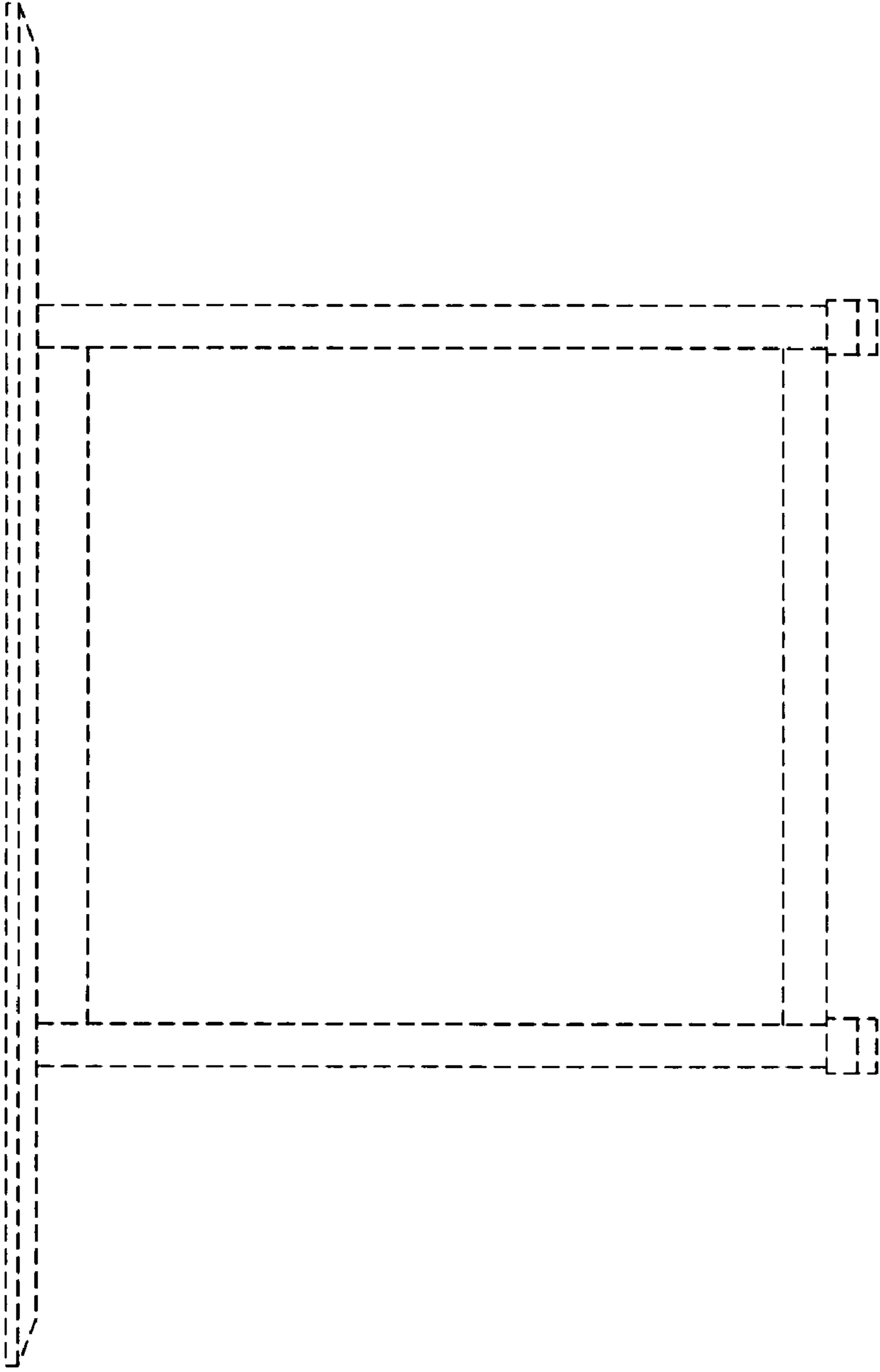


FIG. 2

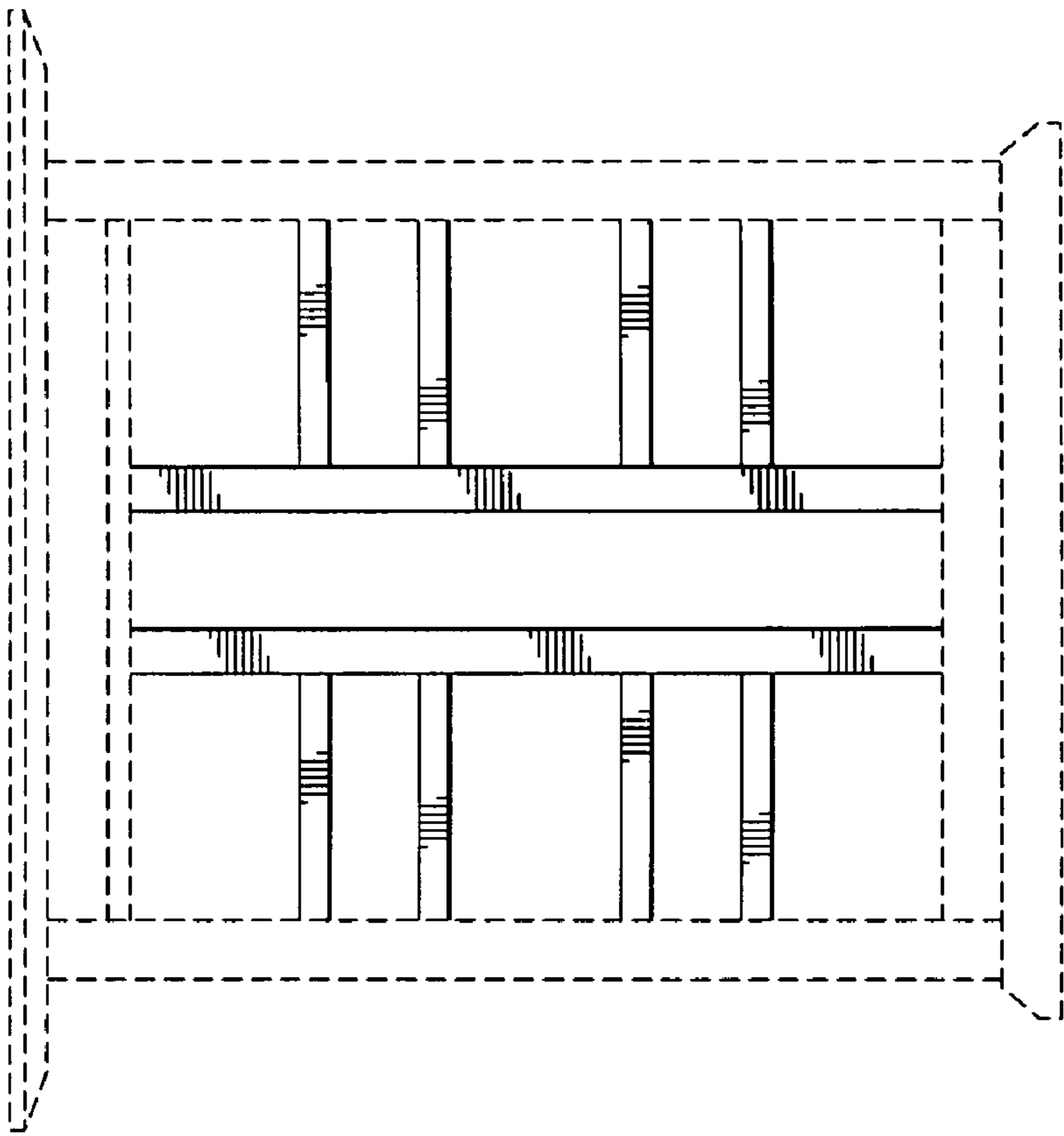


FIG. 3

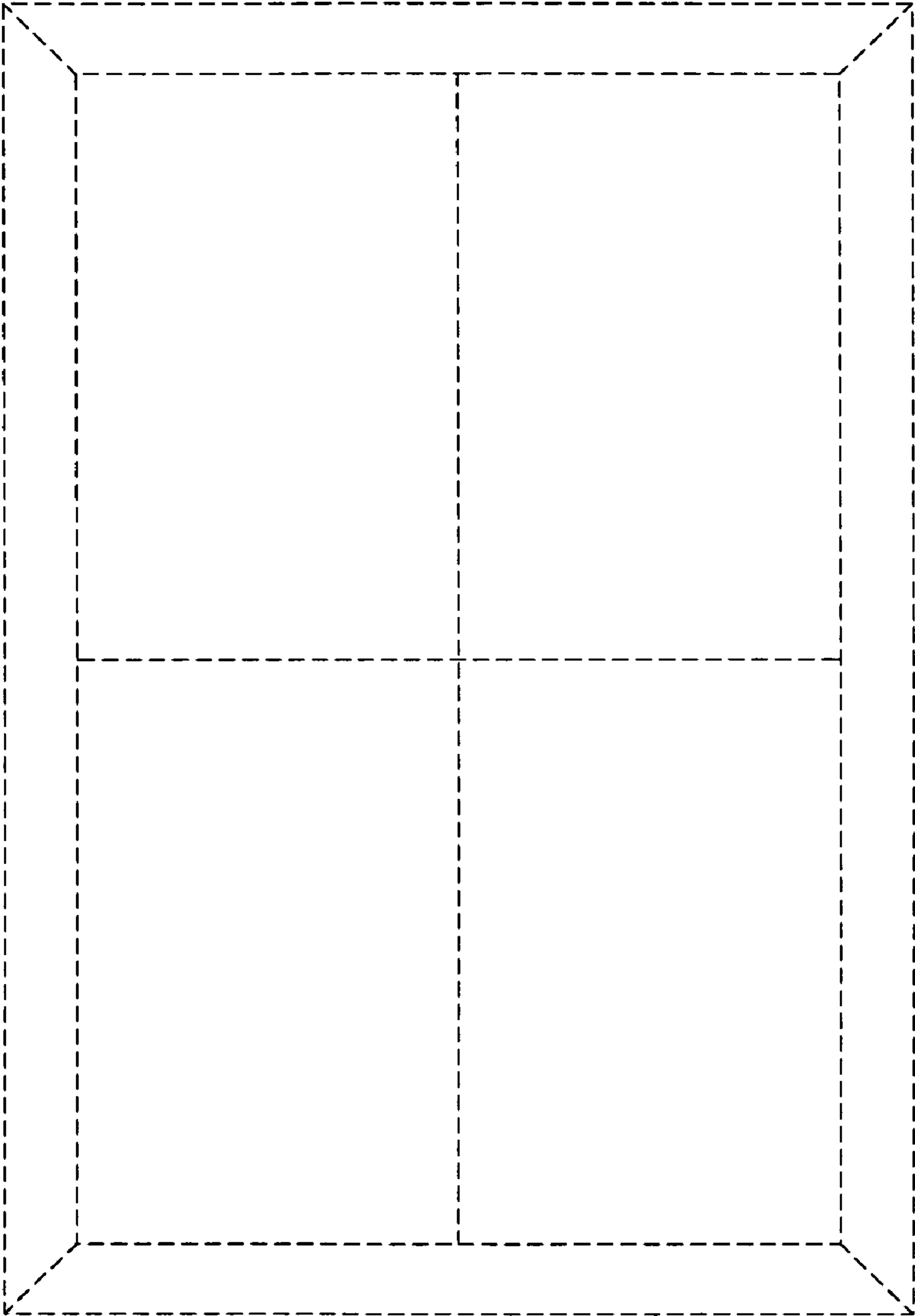


FIG. 4

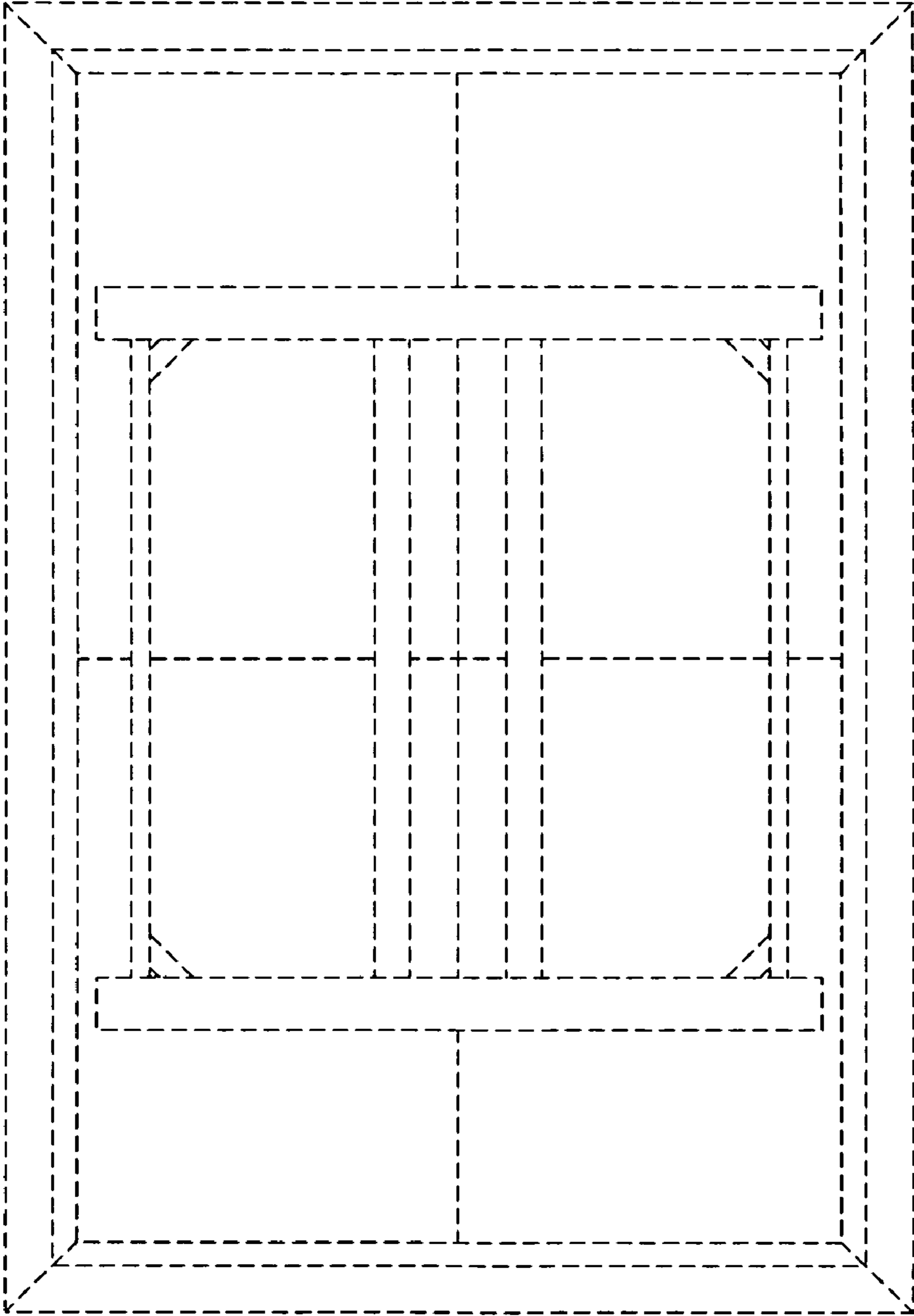


FIG. 5

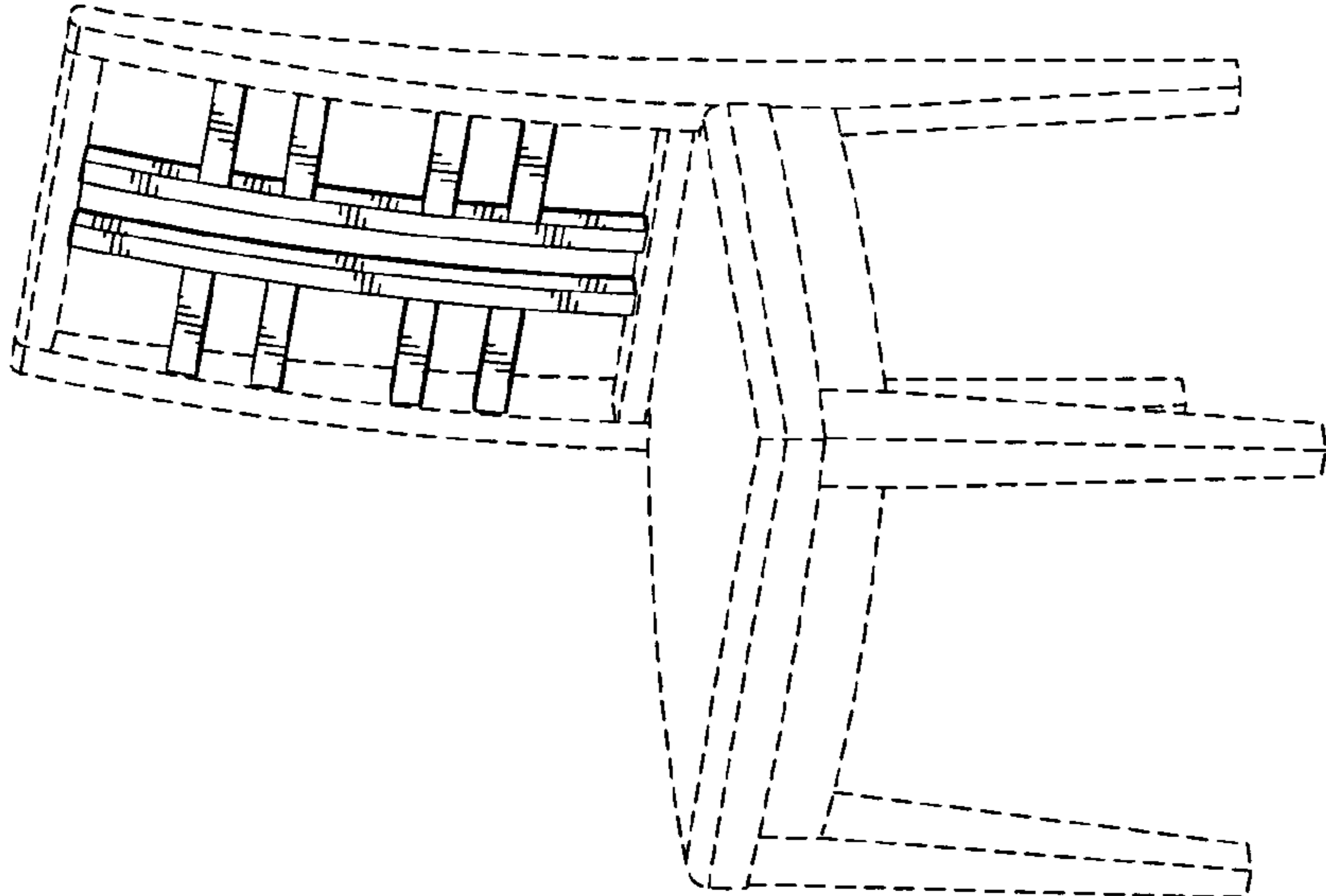


FIG. 6