



US00D641184S

(12) **United States Design Patent**
Chen

(10) **Patent No.:** **US D641,184 S**

(45) **Date of Patent:** **** Jul. 12, 2011**

(54) **SHELF FOR STEREO**

(76) Inventor: **Hsin-Yu Chen**, Kaohsiung (TW)

(**) Term: **14 Years**

(21) Appl. No.: **29/382,817**

(22) Filed: **Jan. 7, 2011**

(51) **LOC (9) Cl.** **06-01**

(52) **U.S. Cl.** **D6/474**

(58) **Field of Classification Search** D6/460–461,
D6/477–479, 474, 449–451, 455; 312/9.1,
312/8.1, 8.6; 108/59, 91–92, 96; 211/40,
211/41.12, 42, 49.1, 50, 153, 188

See application file for complete search history.

(56) **References Cited**

U.S. PATENT DOCUMENTS

D109,389 S *	4/1938	Beyle	D6/474
D262,076 S *	12/1981	Pracon	D6/407
D287,981 S *	1/1987	McNally	D19/92
D346,058 S *	4/1994	Samso	D34/21
D350,659 S *	9/1994	Di Tomasso	D6/479
D401,084 S *	11/1998	Martin	D6/474
D433,846 S *	11/2000	Chang	D6/474
D485,708 S *	1/2004	Robertson	D6/474
D524,578 S *	7/2006	Stenhouse et al.	D6/479
D537,656 S *	3/2007	Stenhouse et al.	D6/474
D539,566 S *	4/2007	Anderson	D6/474
D560,401 S *	1/2008	Hoglan et al.	D6/479

D560,402 S *	1/2008	Lev	D6/479
D566,426 S *	4/2008	Stenhouse et al.	D6/474
D623,440 S *	9/2010	Daniel et al.	D6/465

* cited by examiner

Primary Examiner — Elizabeth A Albert

Assistant Examiner — Kelley A Donnelly

(74) *Attorney, Agent, or Firm* — C. G. Mersereau; Nikolai & Mersereau, P.A.

(57) **CLAIM**

The ornamental design for a shelf for stereo, as shown and described.

DESCRIPTION

FIG. 1 is a perspective view of a shelf for stereo, showing my new design;

FIG. 2 is a front view thereof;

FIG. 3 is a rear view thereof;

FIG. 4 is a left view thereof;

FIG. 5 is a right view thereof;

FIG. 6 is a top view thereof;

FIG. 7 is a bottom view thereof;

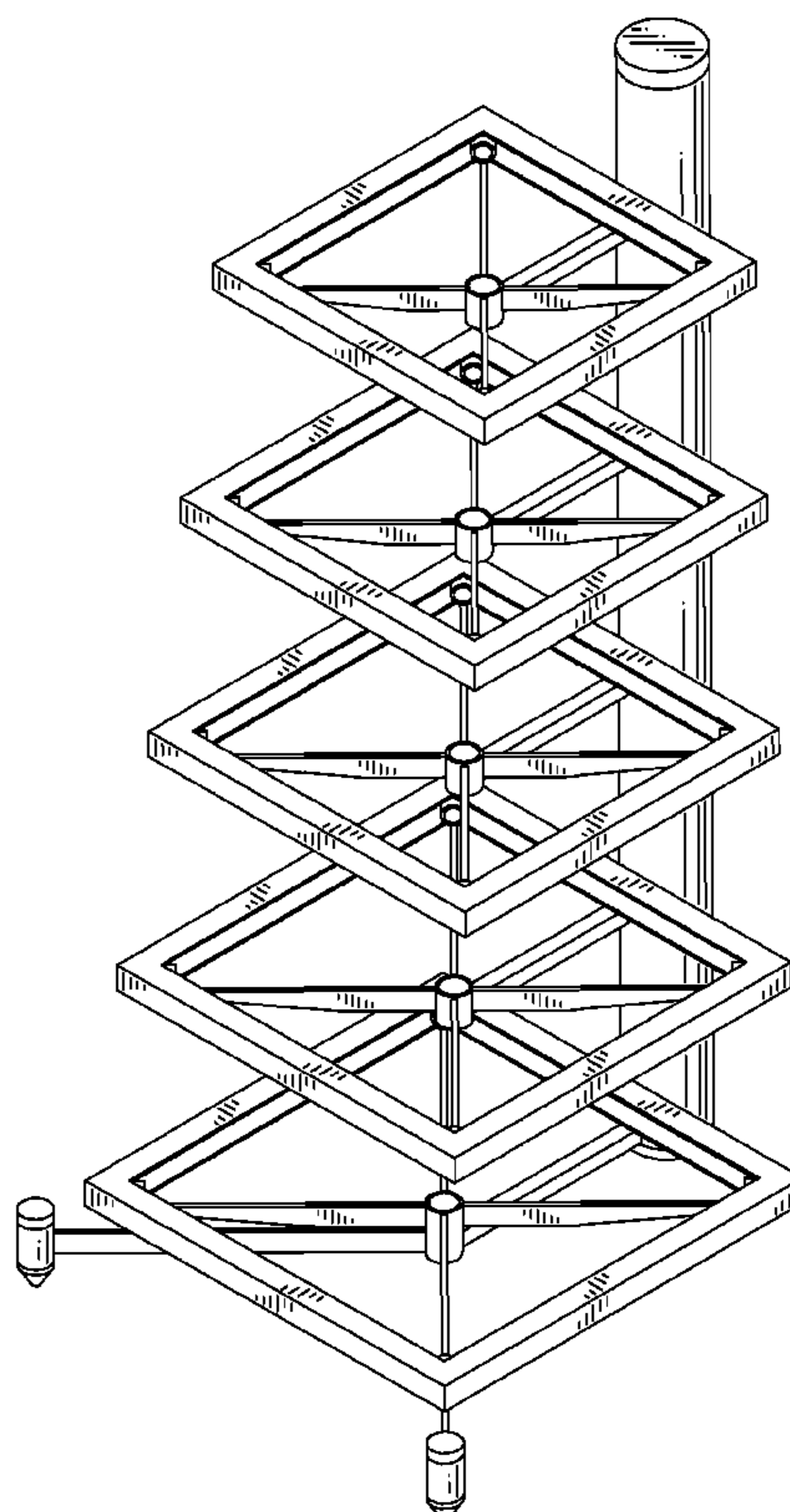
FIG. 8 is another perspective view thereof;

FIG. 9 is a first operational view showing a stereo system placed on the shelf; and,

FIG. 10 is a second operational view showing speakers placed on the shelf.

The broken lines illustrate portions of the shelf for stereo which form no part of the claimed design.

1 Claim, 10 Drawing Sheets



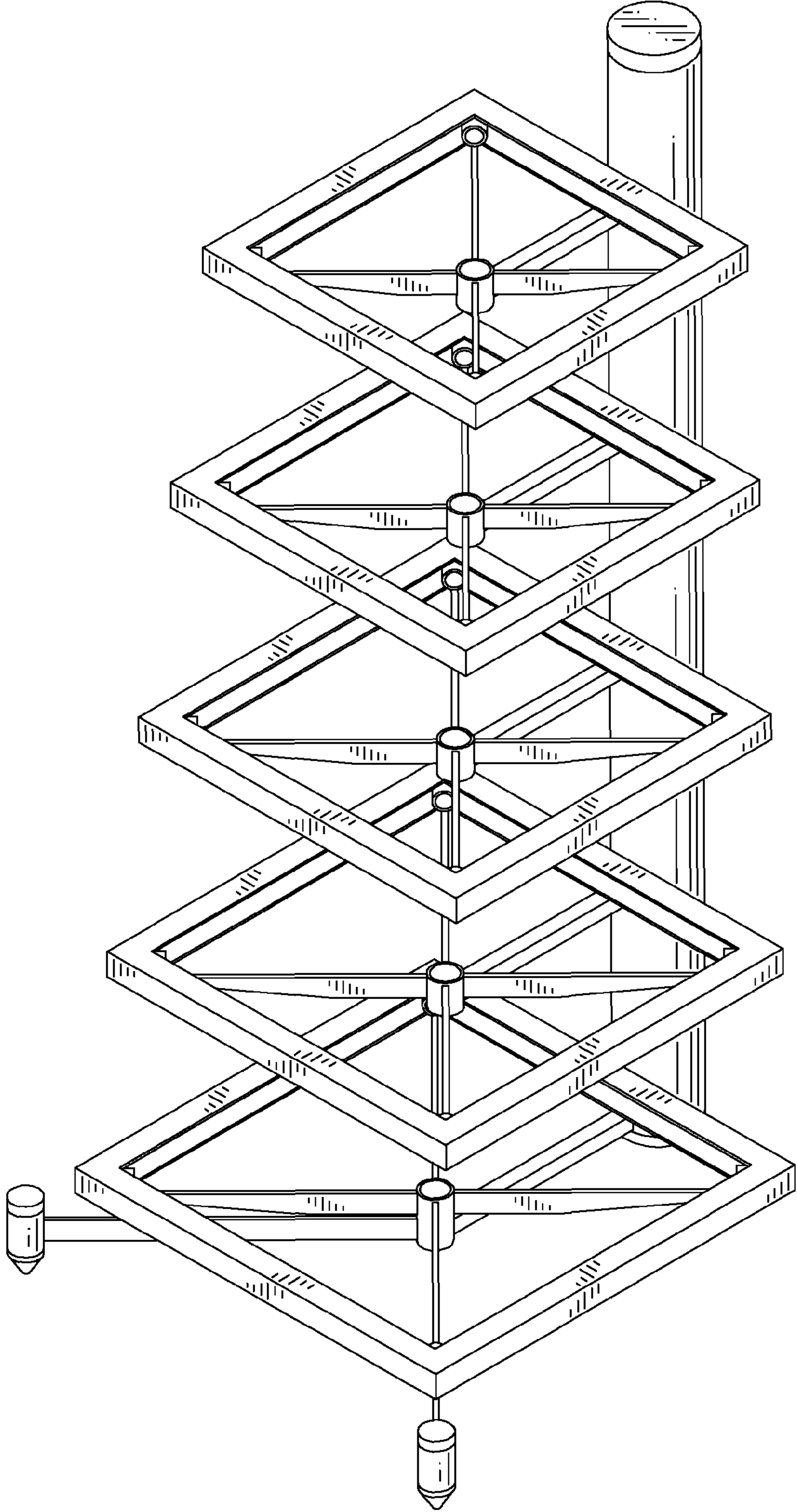


FIG.1

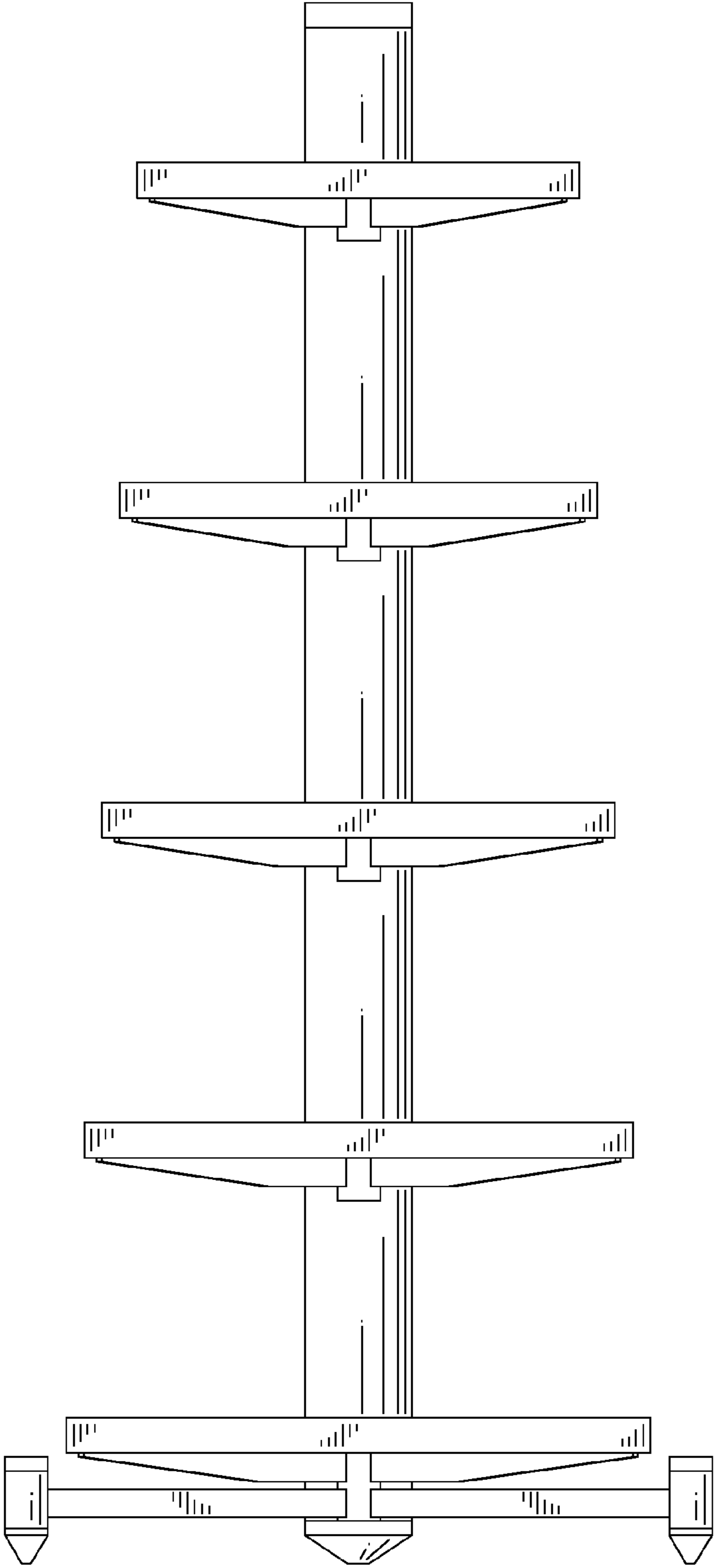


FIG.2

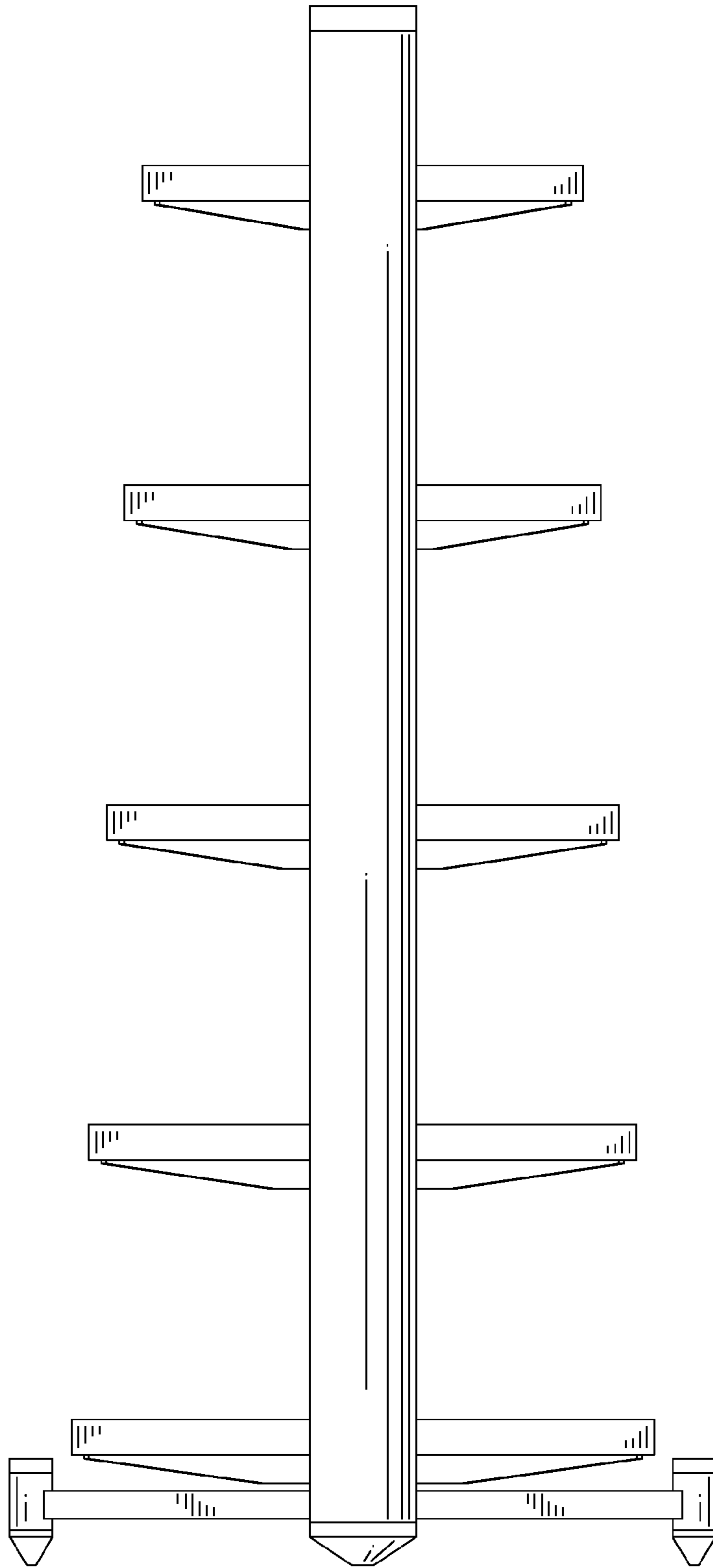


FIG.3

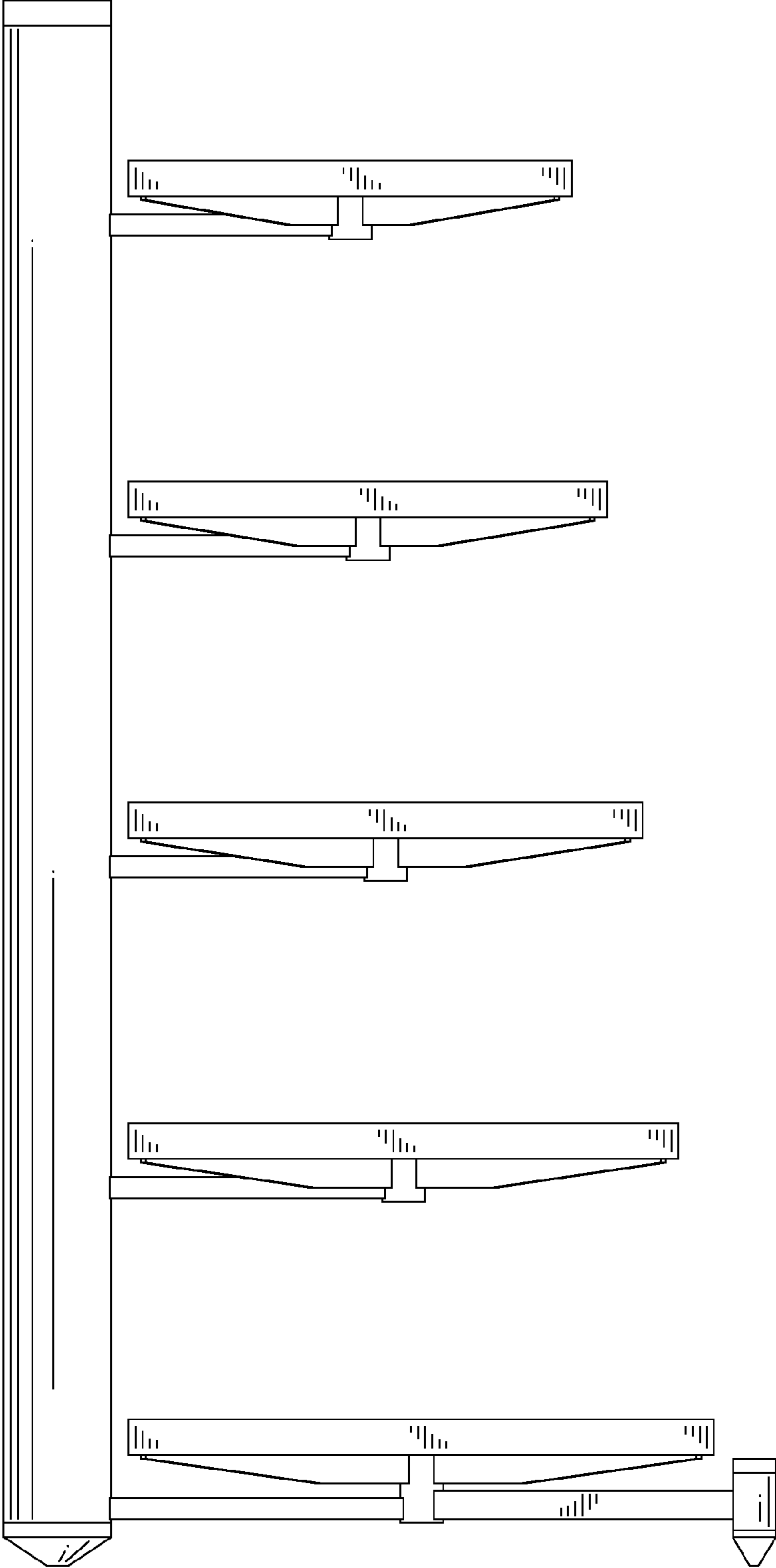


FIG.4

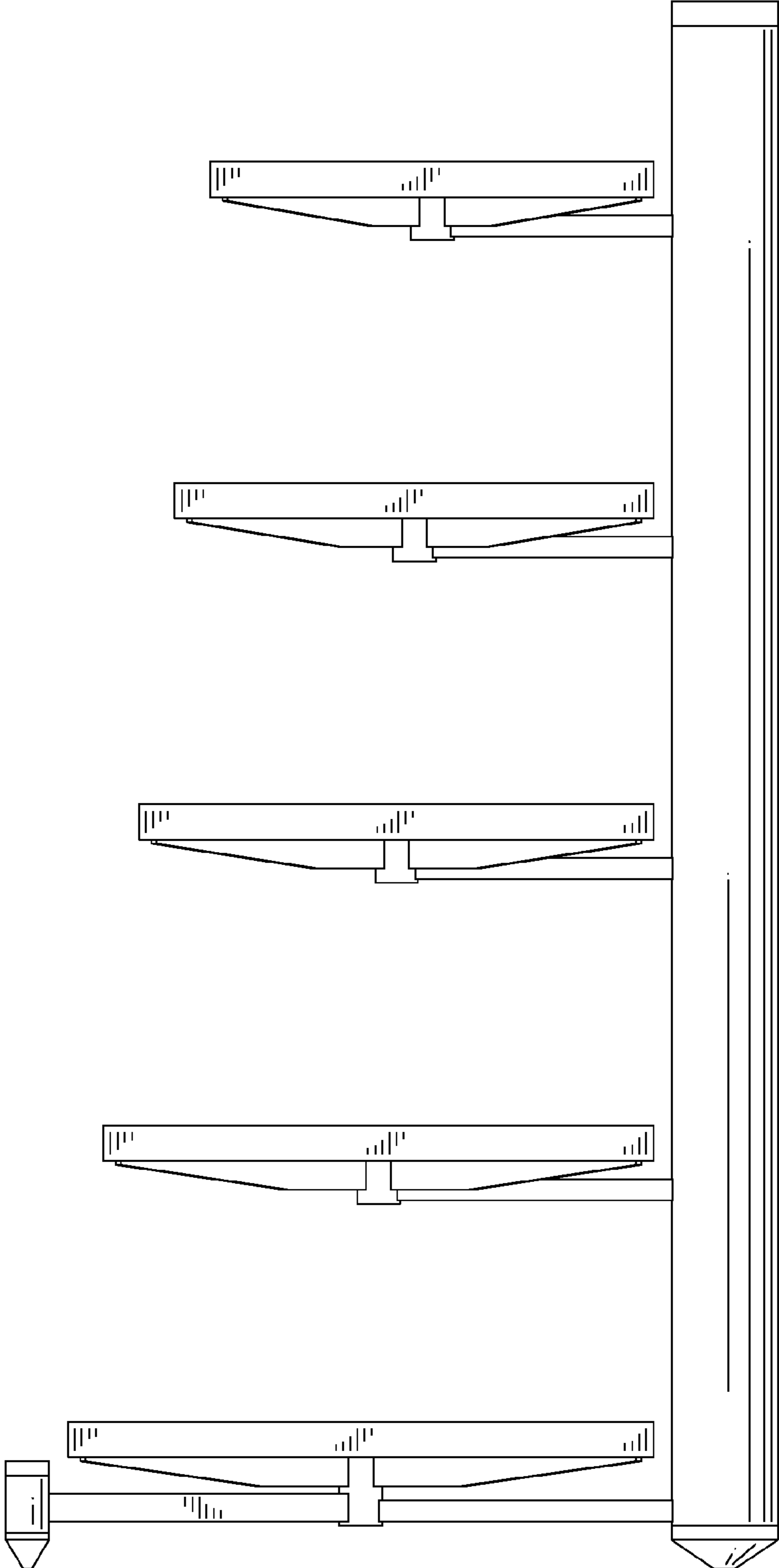


FIG.5

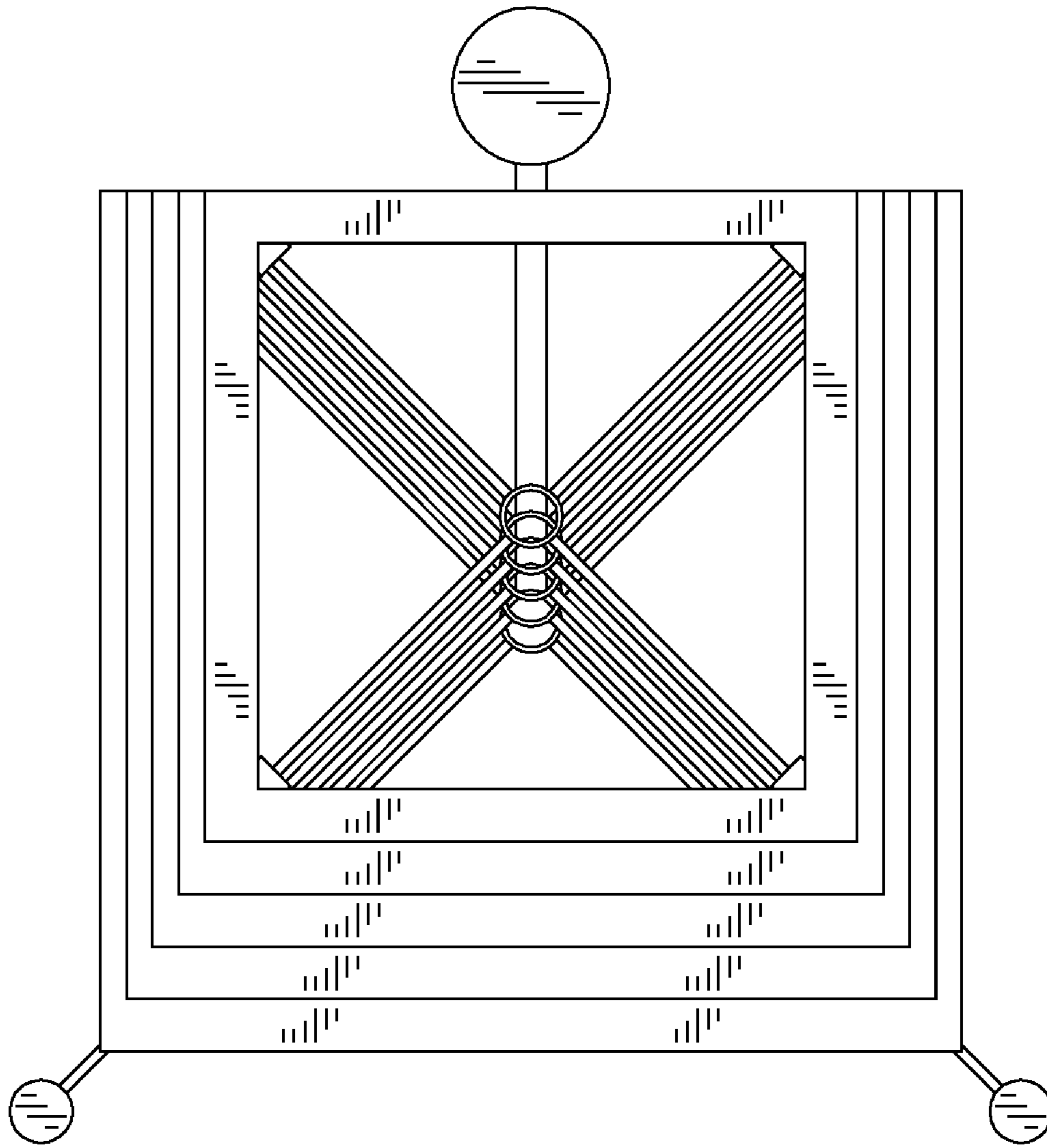


FIG.6

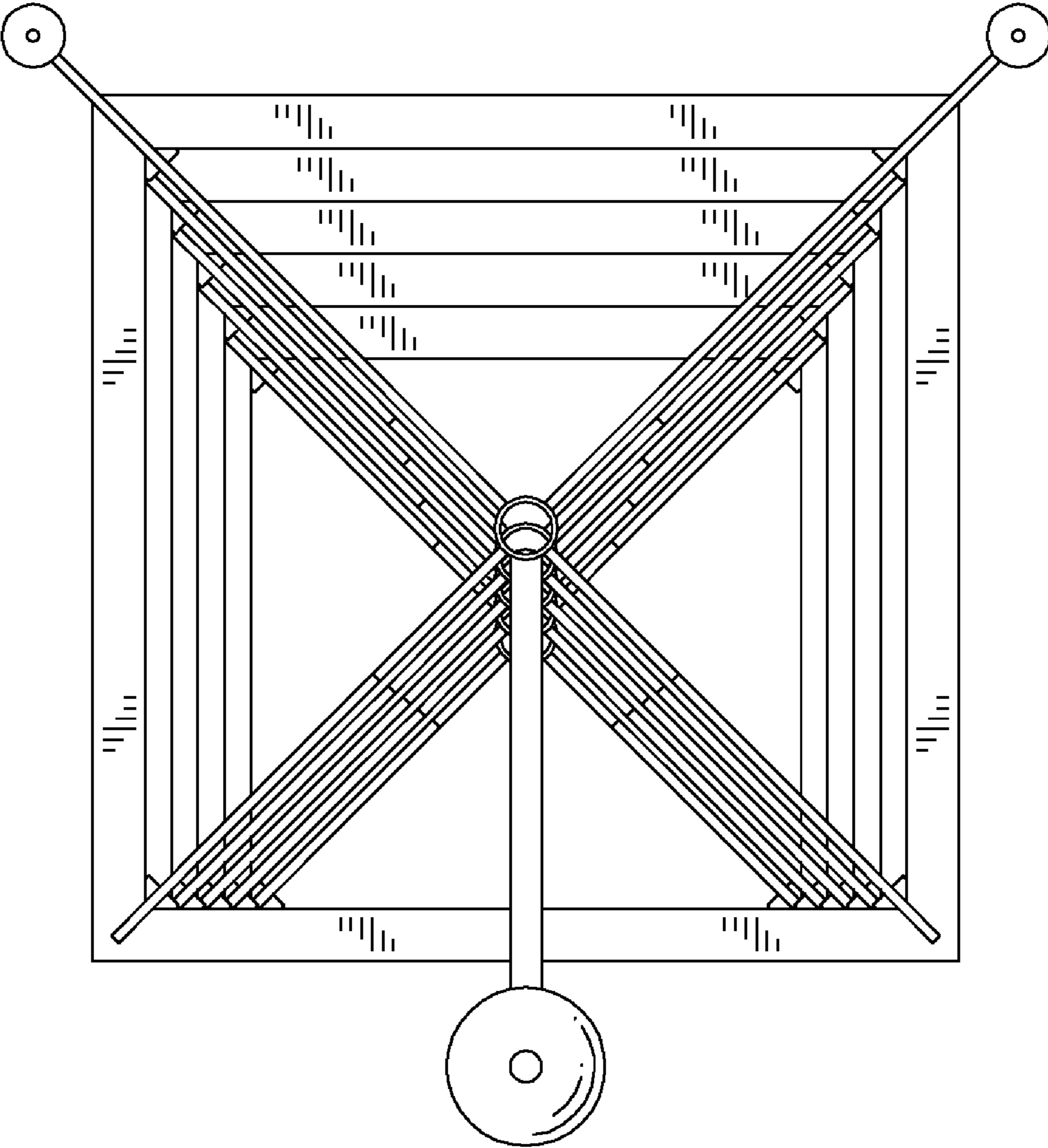


FIG. 7

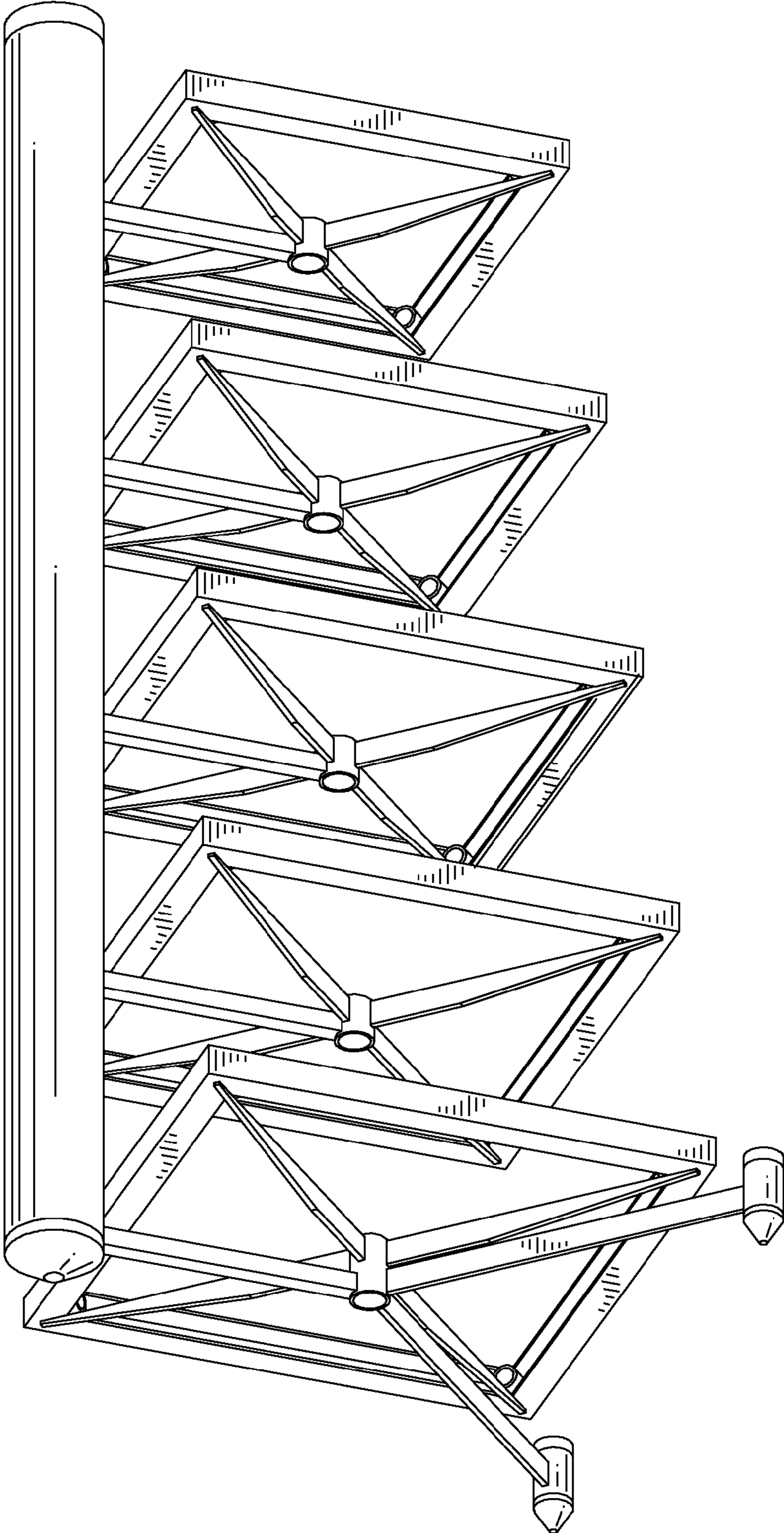


FIG.8

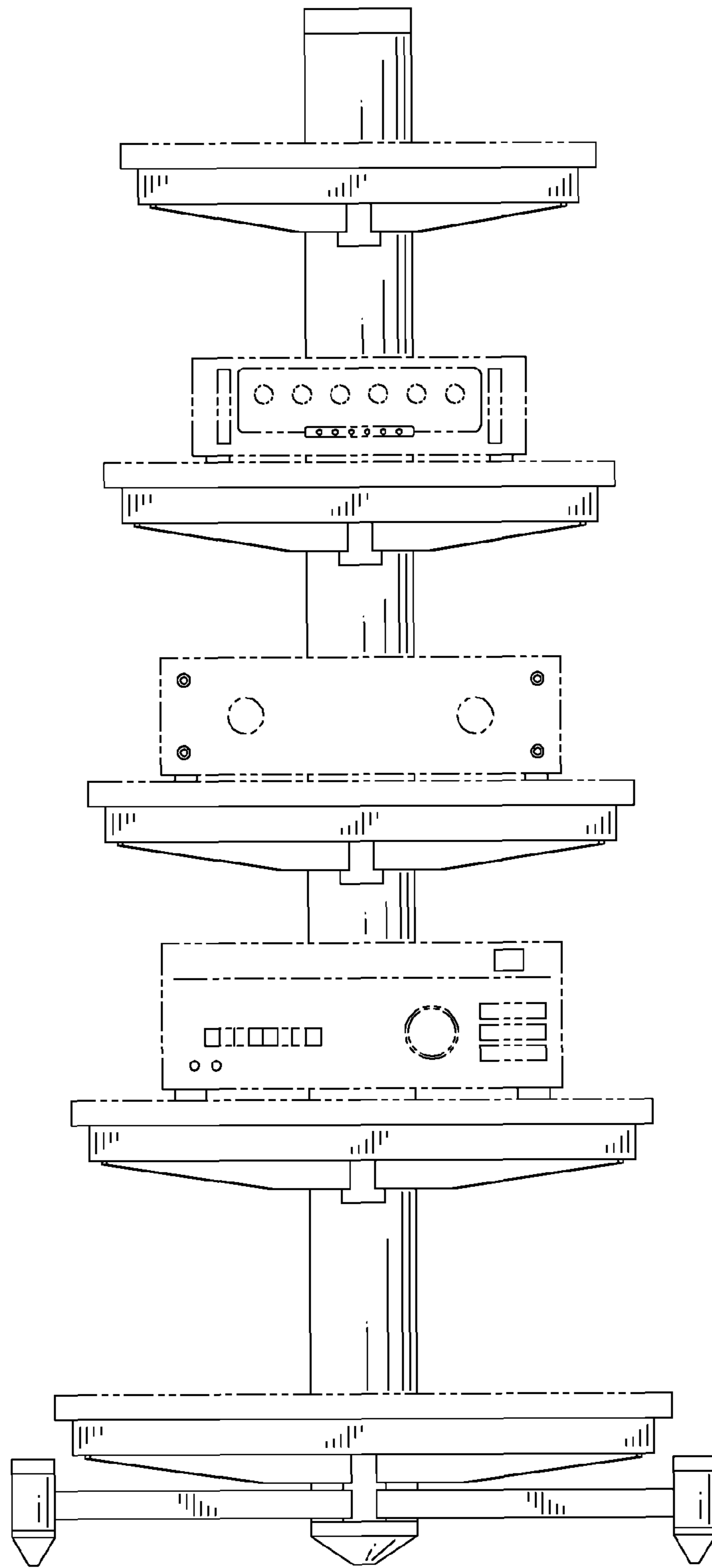


FIG.9

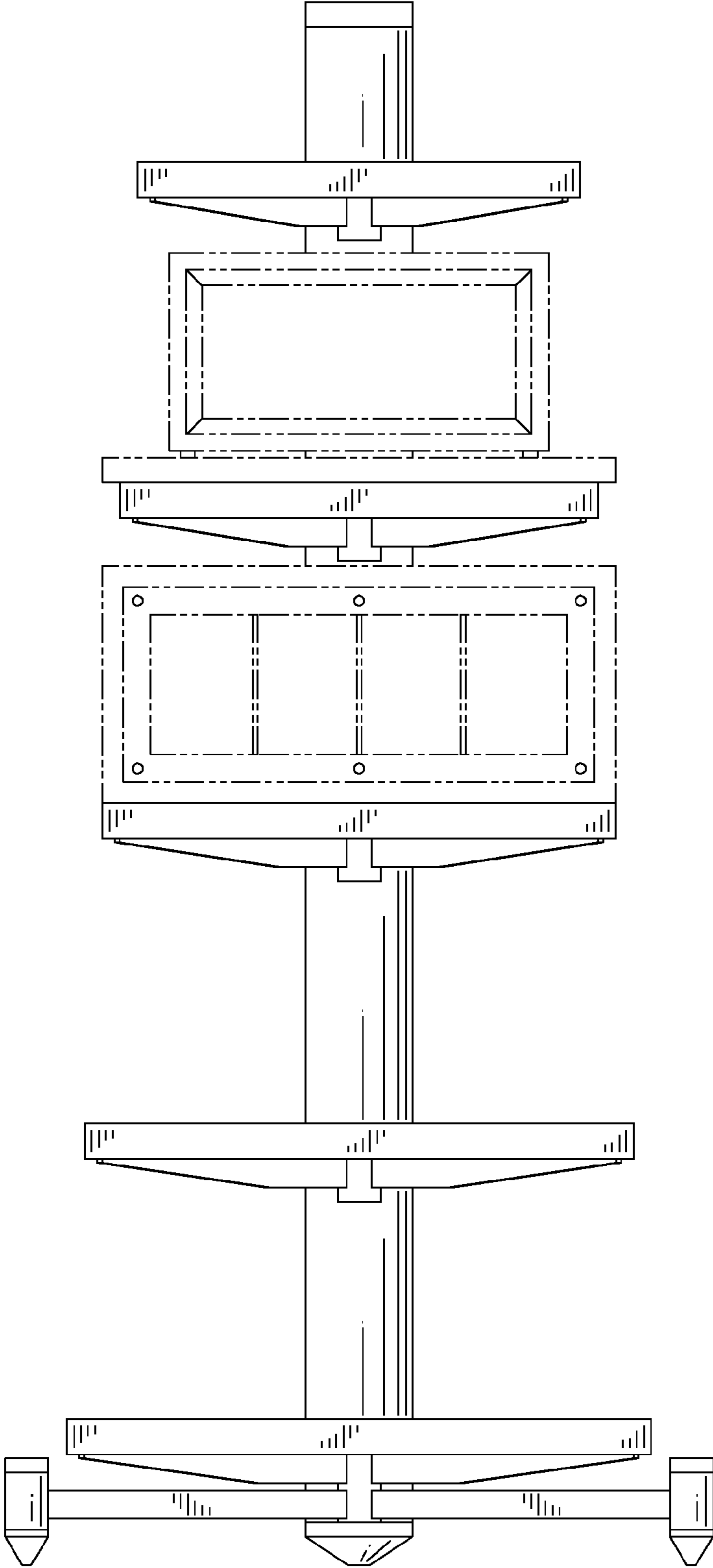


FIG.10