



US00D641182S

(12) **United States Design Patent**
Guy

(10) **Patent No.:** **US D641,182 S**
(45) **Date of Patent:** **** Jul. 12, 2011**

(54) **COMBINATION FURNITURE AND STORAGE CONTAINER**

(76) Inventor: **Zachary O. Guy**, Waynesville, NC (US)

(**) Term: **14 Years**

(21) Appl. No.: **29/357,129**

(22) Filed: **Mar. 8, 2010**

(51) **LOC (9) Cl.** **06-04**

(52) **U.S. Cl.** **D6/397**

(58) **Field of Classification Search** D6/396,
D6/397, 449, 406, 420; D10/119, 116; 446/397,
446/202, 200, 476; 206/600, 542, 451, 385,
206/459.1

See application file for complete search history.

(56) **References Cited**

U.S. PATENT DOCUMENTS

4,343,108	A *	8/1982	Lee	446/397
D360,160	S *	7/1995	Morningstar	D10/119
D415,054	S *	10/1999	Foster et al.	D10/119
6,669,528	B2 *	12/2003	Kaelin	446/397
D487,876	S *	3/2004	Atkinson	D10/116
7,575,500	B1	8/2009	Salter et al.		
2003/0114073	A1 *	6/2003	Kaelin, II	446/200
2006/0252341	A1 *	11/2006	Olinde	446/202

OTHER PUBLICATIONS

Cabela's; www.cabelas.com; online catalogue; H.S. Strut "Strut U" Box Calling 101 Turkey Call Kit with DVD.

* cited by examiner

Primary Examiner — Phillip S Hyder

Assistant Examiner — Sydney Buffalow

(74) *Attorney, Agent, or Firm* — David M. Carter

(57) **CLAIM**

The ornamental design for combination furniture and storage container, as shown and described.

DESCRIPTION

FIG. 1 is a perspective view with the top closed of a combination furniture and storage container showing my new design.

FIG. 2 is a top view thereof.

FIG. 3 is a front view thereof.

FIG. 4 is a rear view thereof.

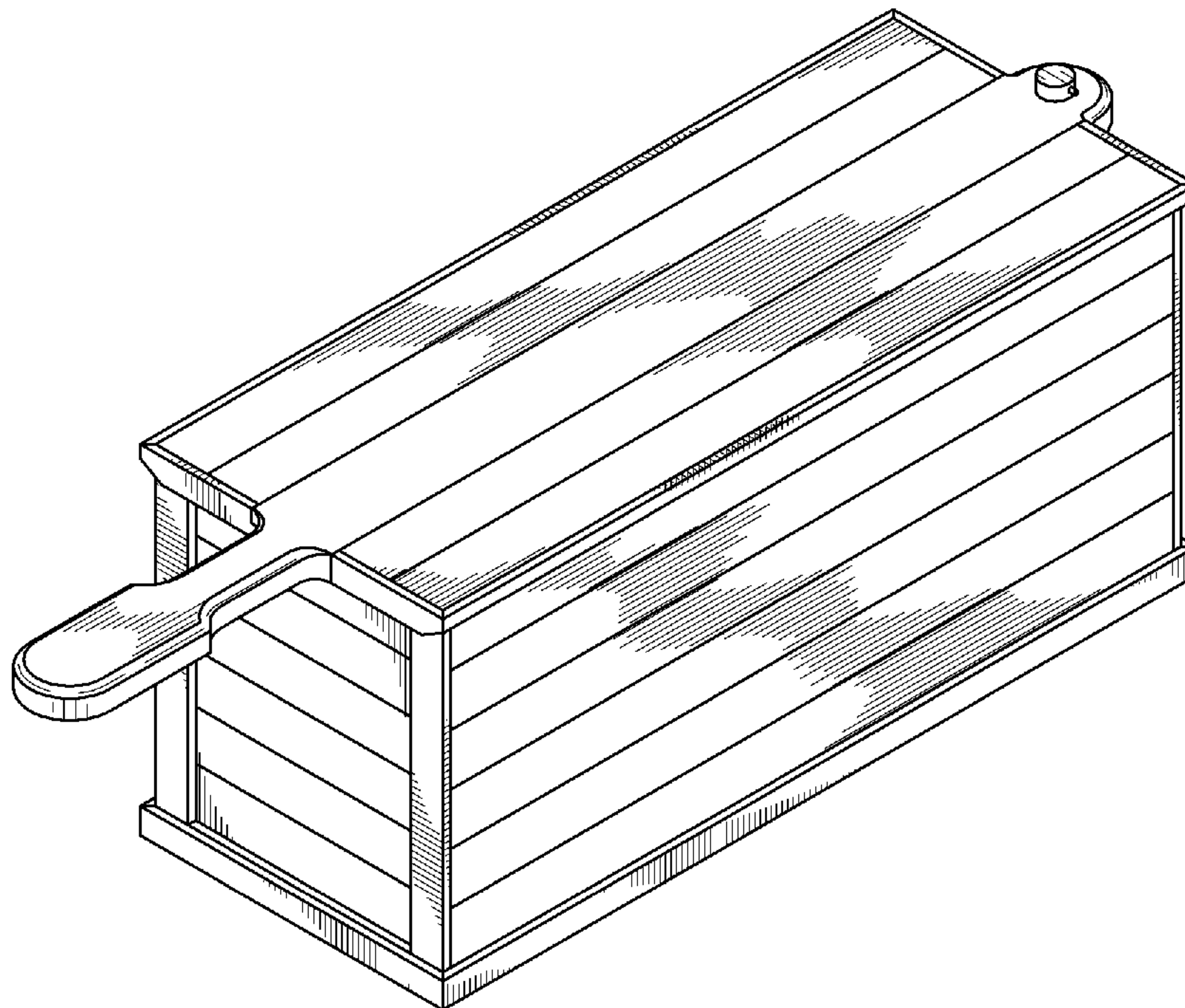
FIG. 5 is a left side view thereof.

FIG. 6 is a right side view thereof.

FIG. 7 is a bottom view thereof; and,

FIG. 8 is another perspective view thereof but with the top partially open.

1 Claim, 5 Drawing Sheets



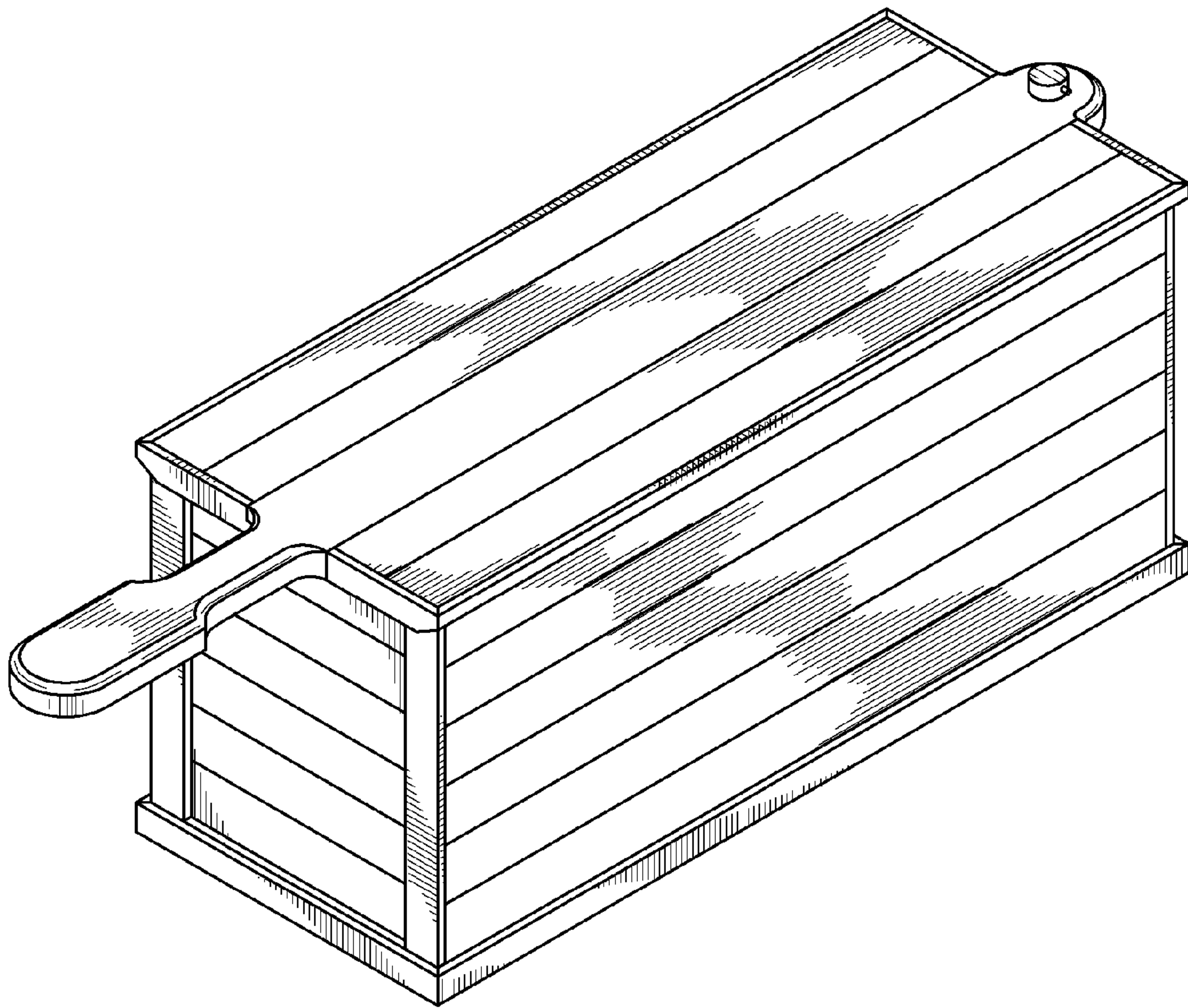


Fig. 1

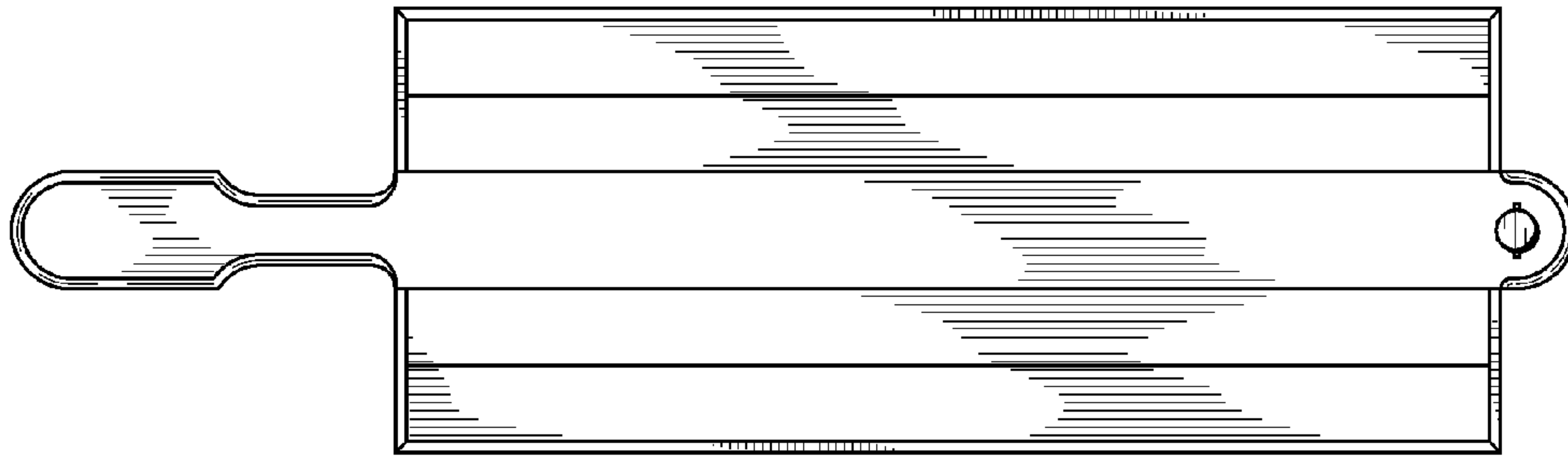


Fig. 2

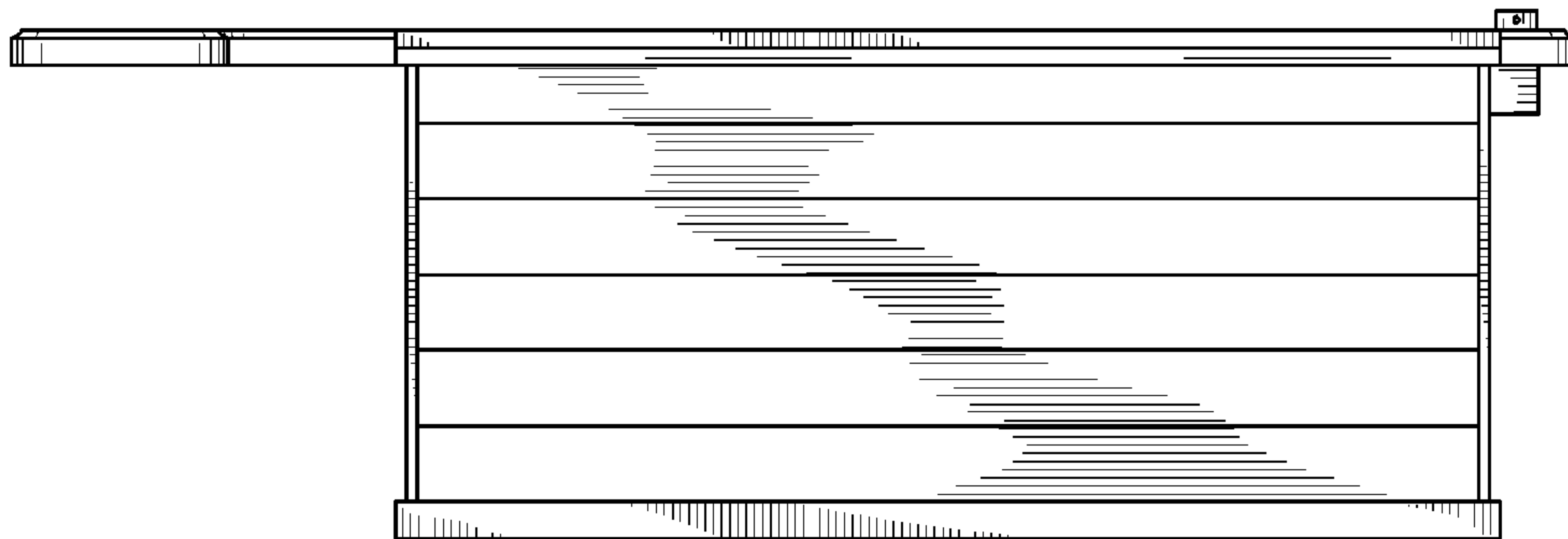


Fig. 3

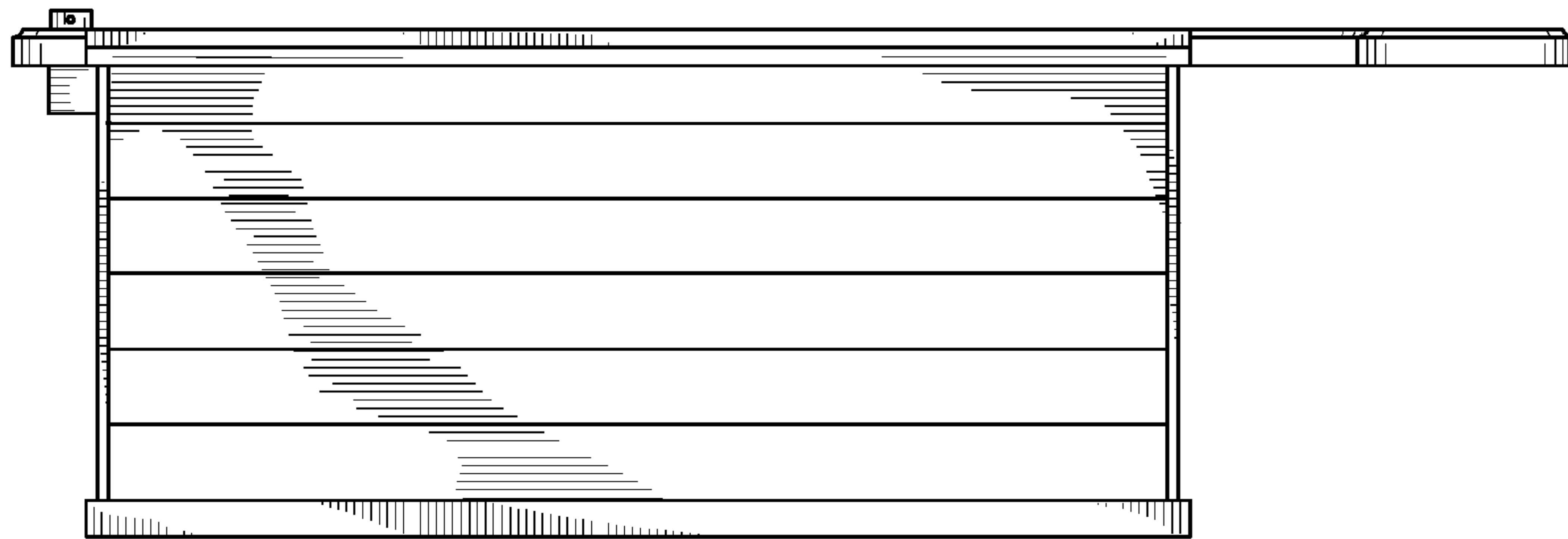


Fig. 4

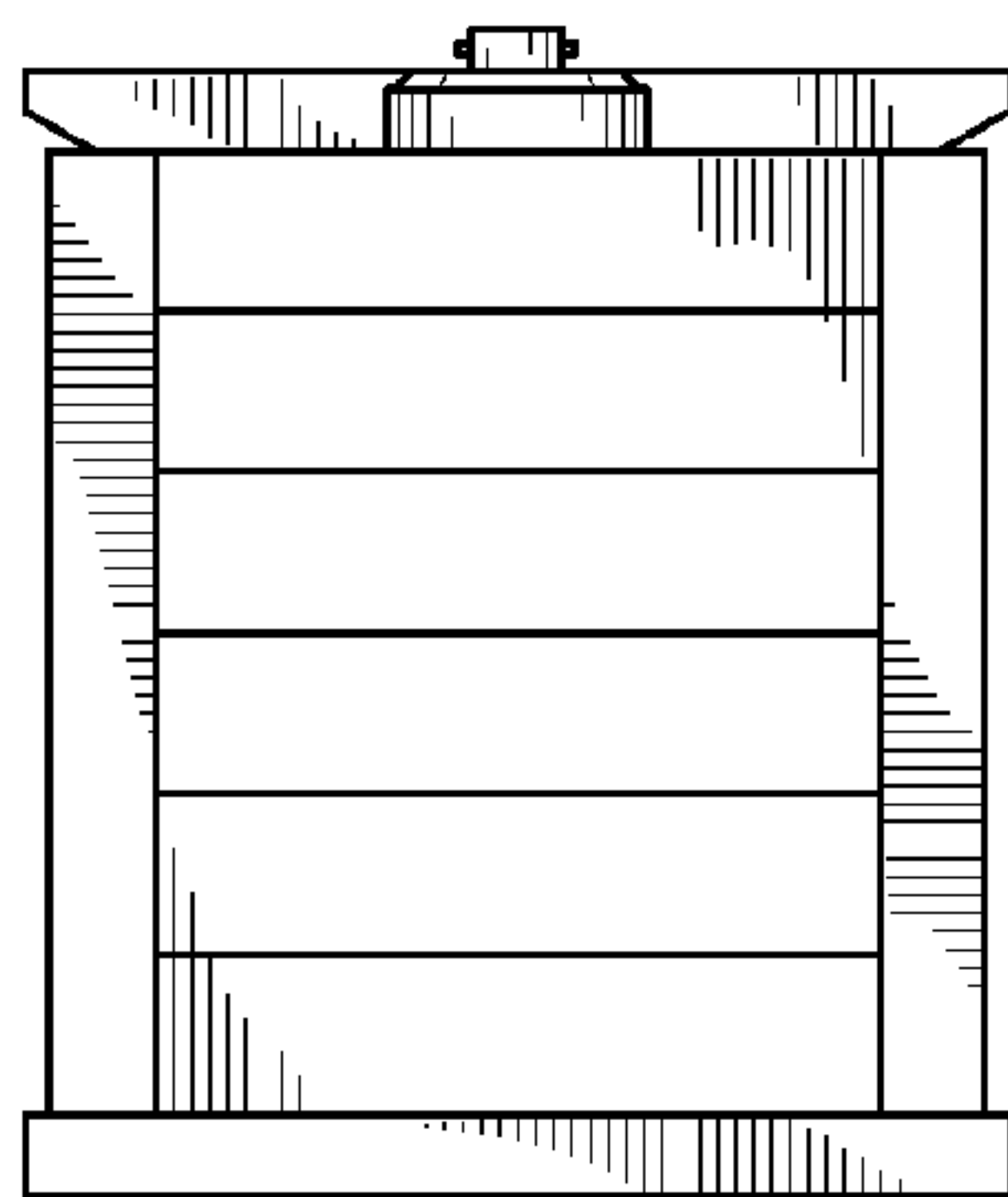


Fig. 5

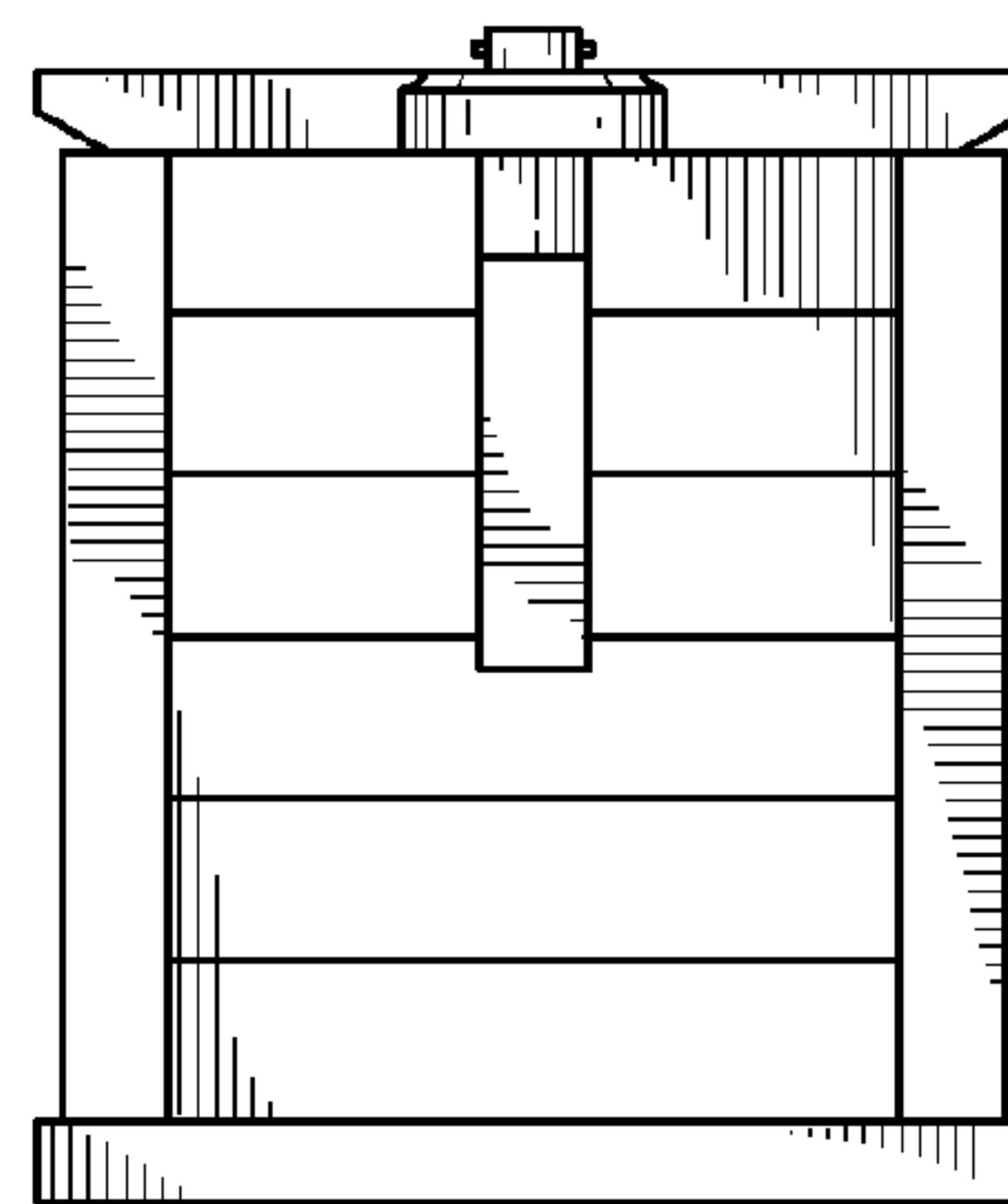


Fig. 6

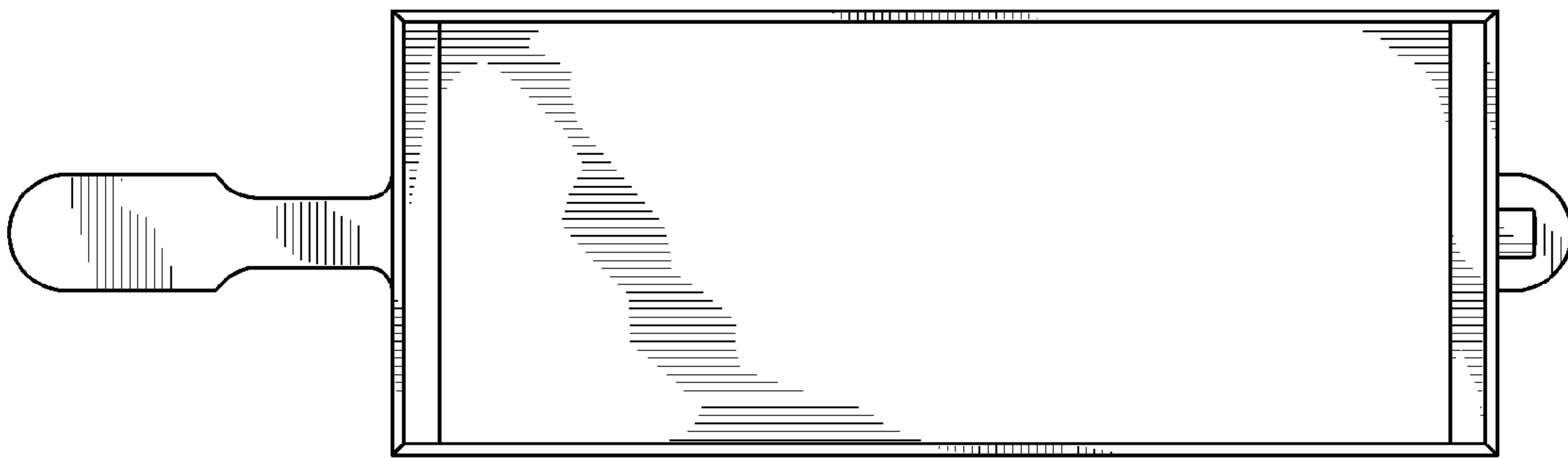


Fig. 7

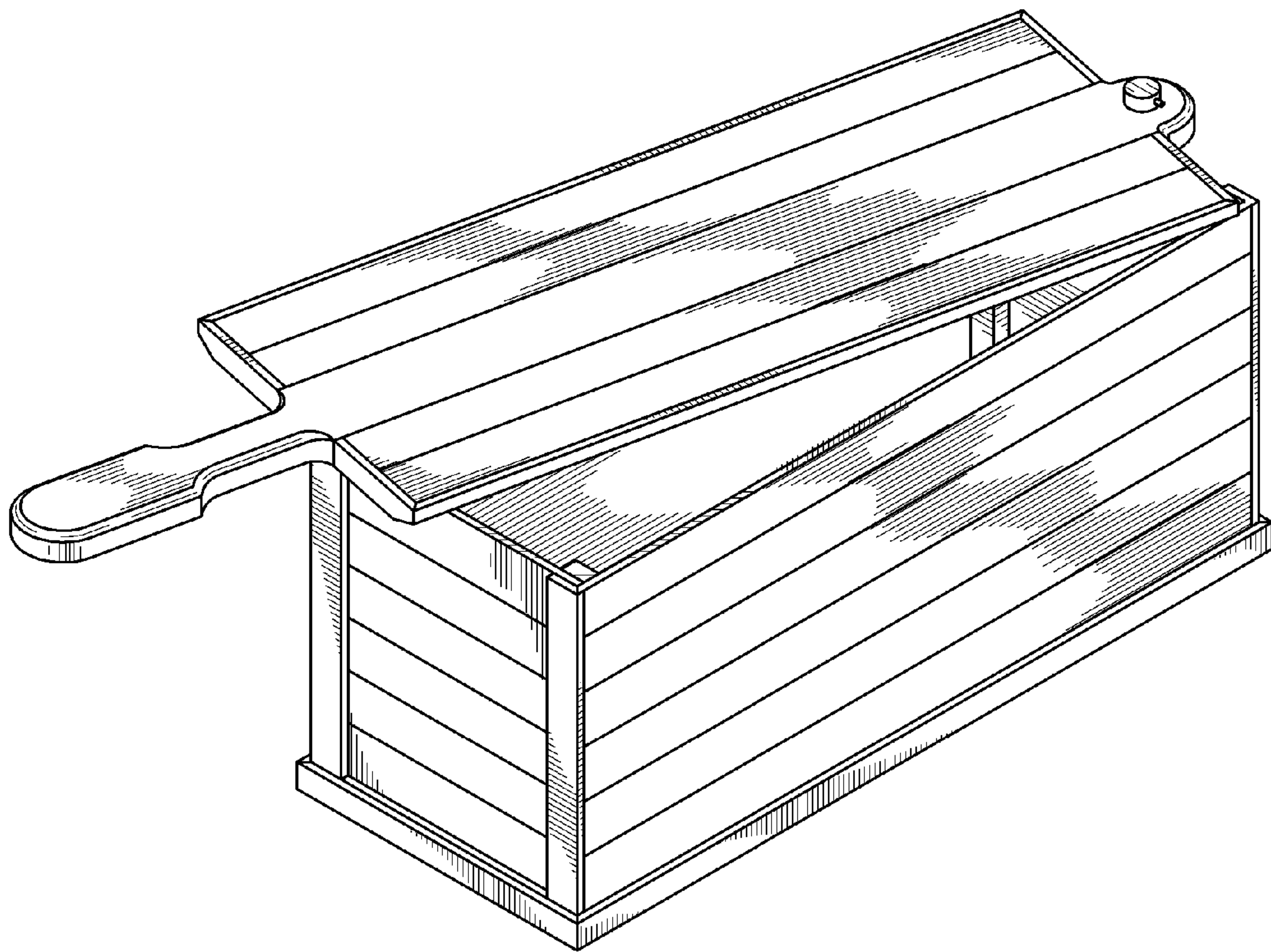


Fig. 8