



US00D641180S

(12) **United States Design Patent**
Kennedy et al.

(10) **Patent No.:** **US D641,180 S**
(45) **Date of Patent:** **** Jul. 12, 2011**

(54) **HIGHCHAIR**

(75) Inventors: **Brook Kennedy**, Glen Ridge, NJ (US);
Jonathan Cedar, Brooklyn, NY (US);
Colin Kelly, Brooklyn, NY (US); **Troy Phipps**, Brooklyn, NY (US); **Ryan Vernon**, New York, NY (US); **Nicholas Oxley**, New York, NY (US); **Eric Freitag**, New York, NY (US)

D362,554 S 9/1995 Grundner
D362,971 S 10/1995 Pacheco
5,489,138 A 2/1996 Mariol et al.
5,509,719 A 4/1996 Cone, II
D369,911 S 5/1996 Turner
5,527,090 A 6/1996 Cone, II
5,558,400 A 9/1996 Poulson et al.
5,560,680 A 10/1996 Salvador et al.

(Continued)

(73) Assignee: **Helen of Troy Limited** (BB)

(**) Term: **14 Years**

(21) Appl. No.: **29/316,309**

(22) Filed: **Sep. 11, 2009**

(51) **LOC (9) Cl.** **06-01**

(52) **U.S. Cl.** **D6/339**

(58) **Field of Classification Search** D6/339,
D6/333-335, 338, 491, 500-502; D12/129;
D21/412, 419; 280/30-31; 5/94, 98.1, 99.1,
5/101, 102, 105, 655; 297/183.1-183.4,
297/184.13, 250.1, 255, 256.15, 256.16,
297/174 R, 174 CS, 170-173

See application file for complete search history.

FOREIGN PATENT DOCUMENTS

KR 30-0319633 9/2001

(Continued)

OTHER PUBLICATIONS

IPO Search Report; Dated Sep. 6, 2010; ROC (Taiwan) Design Patent Application No. 099301173.

Primary Examiner — Caron D Veynar

Assistant Examiner — Abraham Bahta

(74) *Attorney, Agent, or Firm* — Seyfarth Shaw LLP

(57) **CLAIM**

The ornamental design for a highchair, as shown and described.

DESCRIPTION

FIG. 1 is a perspective view of the highchair showing our new design;

FIG. 2 is a front elevational view of the highchair shown in FIG. 1;

FIG. 3 is a rear elevational view of the highchair shown in FIG. 1;

FIG. 4 is a side elevational view of the other side of the highchair shown in FIG. 1;

FIG. 5 is a side elevational view of one side of the highchair shown in FIG. 1;

FIG. 6 is a top plan view of the highchair shown in FIG. 1; and,

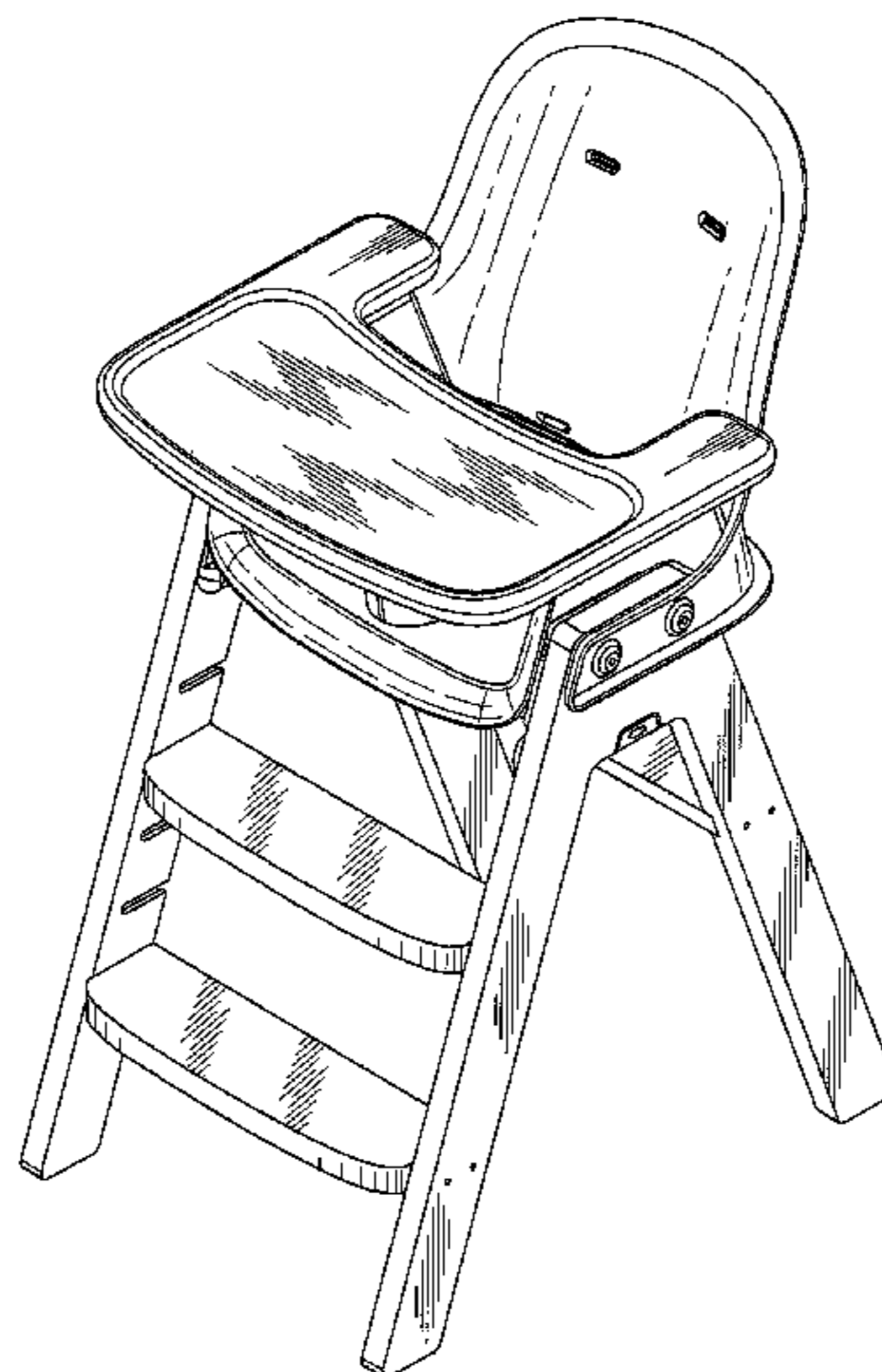
FIG. 7 is a bottom plan view of the highchair shown in FIG. 1.

(56) **References Cited**

U.S. PATENT DOCUMENTS

2,851,084 A 9/1958 Benjetsky
4,342,483 A 8/1982 Takada
4,582,359 A 4/1986 Wise et al.
4,655,506 A 4/1987 Wise et al.
4,738,489 A 4/1988 Wise et al.
4,819,988 A 4/1989 Hellstrom
4,826,246 A 5/1989 Meeker
4,880,277 A 11/1989 Takahashi et al.
5,061,012 A 10/1991 Parker et al.
5,082,325 A 1/1992 Sedlack
5,286,086 A 2/1994 Gunji
5,348,374 A 9/1994 Kuo
D355,775 S * 2/1995 Burstein D6/339
5,445,432 A 8/1995 Chien

1 Claim, 7 Drawing Sheets



US D641,180 S

Page 2

U.S. PATENT DOCUMENTS

5,673,969 A 10/1997 Frazier
5,690,382 A 11/1997 Cone
5,779,319 A 7/1998 Merrick
5,823,615 A 10/1998 Haut
5,951,102 A 9/1999 Poulson et al.
5,992,932 A 11/1999 Kain et al.
6,024,412 A 2/2000 Kain et al.
6,050,643 A 4/2000 Kain et al.
D426,965 S 6/2000 Wu
6,082,814 A 7/2000 Celestina-Krevh et al.
6,089,653 A 7/2000 Hotaling et al.
D428,715 S * 8/2000 Brevi D6/339
6,126,236 A 10/2000 Wu
6,196,629 B1 3/2001 Onishi et al.
6,247,755 B1 6/2001 Canna et al.
6,260,925 B1 7/2001 Miller
6,454,350 B1 9/2002 Celestina-Krevh et al.
6,481,794 B1 11/2002 Kassai et al.
6,511,123 B1 1/2003 Sitarski et al.
6,659,564 B2 12/2003 Kassai et al.
6,715,783 B1 4/2004 Hanson et al.
6,719,371 B2 4/2004 Yoshie et al.
8,746,080 6/2004 Tsugimatsu at al.
D493,965 S 8/2004 Kuester
6,811,216 B2 11/2004 Sedlack

6,893,088 B2 5/2005 Kassai et al.
6,951,371 B2 10/2005 Wang
D517,336 S 3/2006 Engelstad
7,066,542 B2 6/2006 Wang
7,077,475 B2 7/2006 Boyle
7,086,695 B2 8/2006 Hosoya
7,104,603 B2 9/2006 Keegan et al.
7,237,840 B2 7/2007 Furui
7,331,629 B2 2/2008 Knaven
7,387,337 B2 6/2008 Keegan et al.
7,419,210 B2 9/2008 Nolan et al.
7,445,286 B2 11/2008 Siewertsen et al.
D590,159 S * 4/2009 Lin D6/339
D603,175 S * 11/2009 Jacobs et al. D6/339
D614,873 S * 5/2010 Ebina D6/339
2008/0179922 A1 7/2008 Troutman et al.
2009/0045656 A1 2/2009 Chen et al.

FOREIGN PATENT DOCUMENTS

KR 30-0444743 4/2006
TW 541011 7/2002
TW D102511 3/2004
TW D109562 1/2005
TW D116098 3/2006
TW D127345 4/2009

* cited by examiner

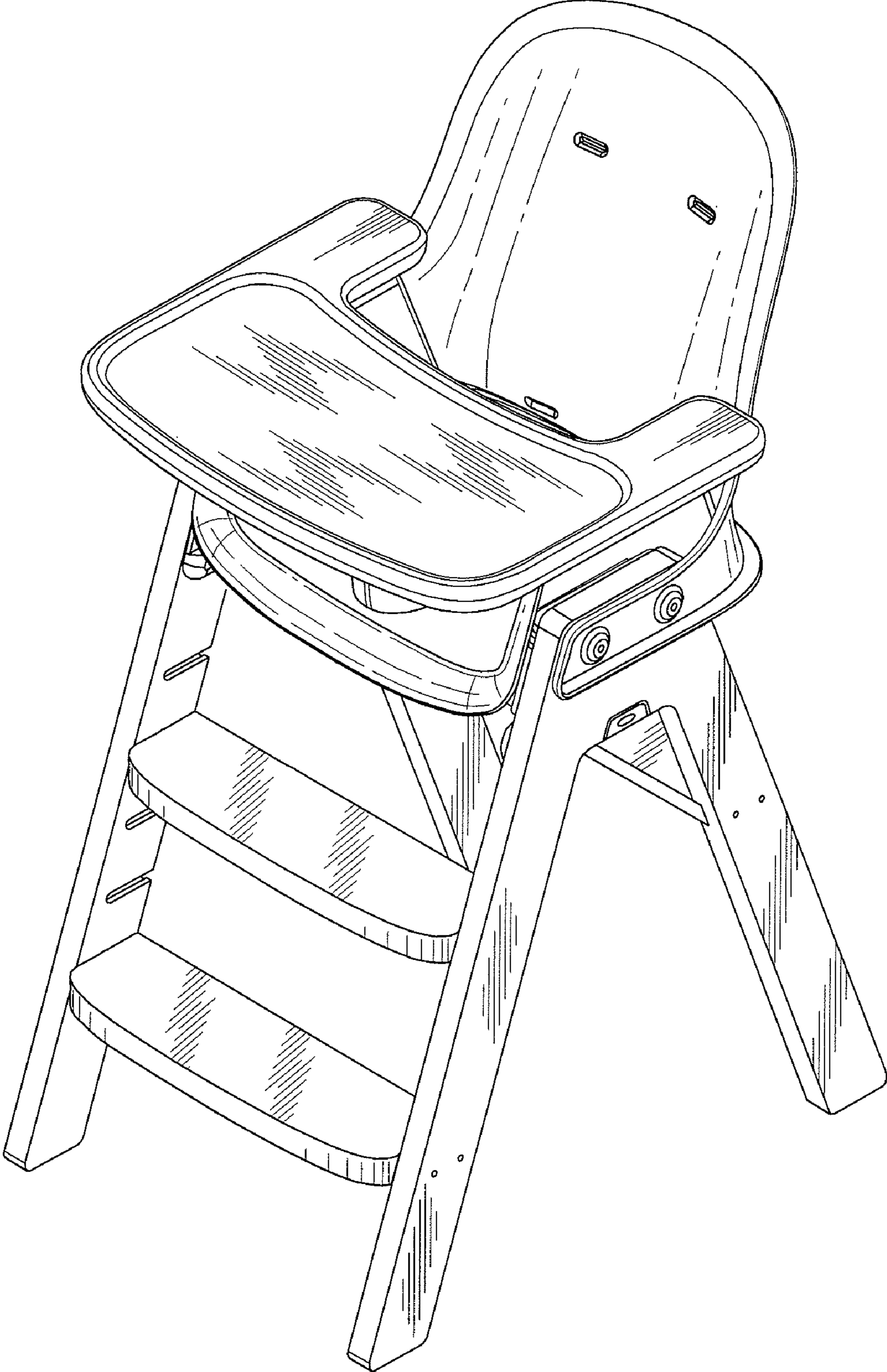


Fig. 1

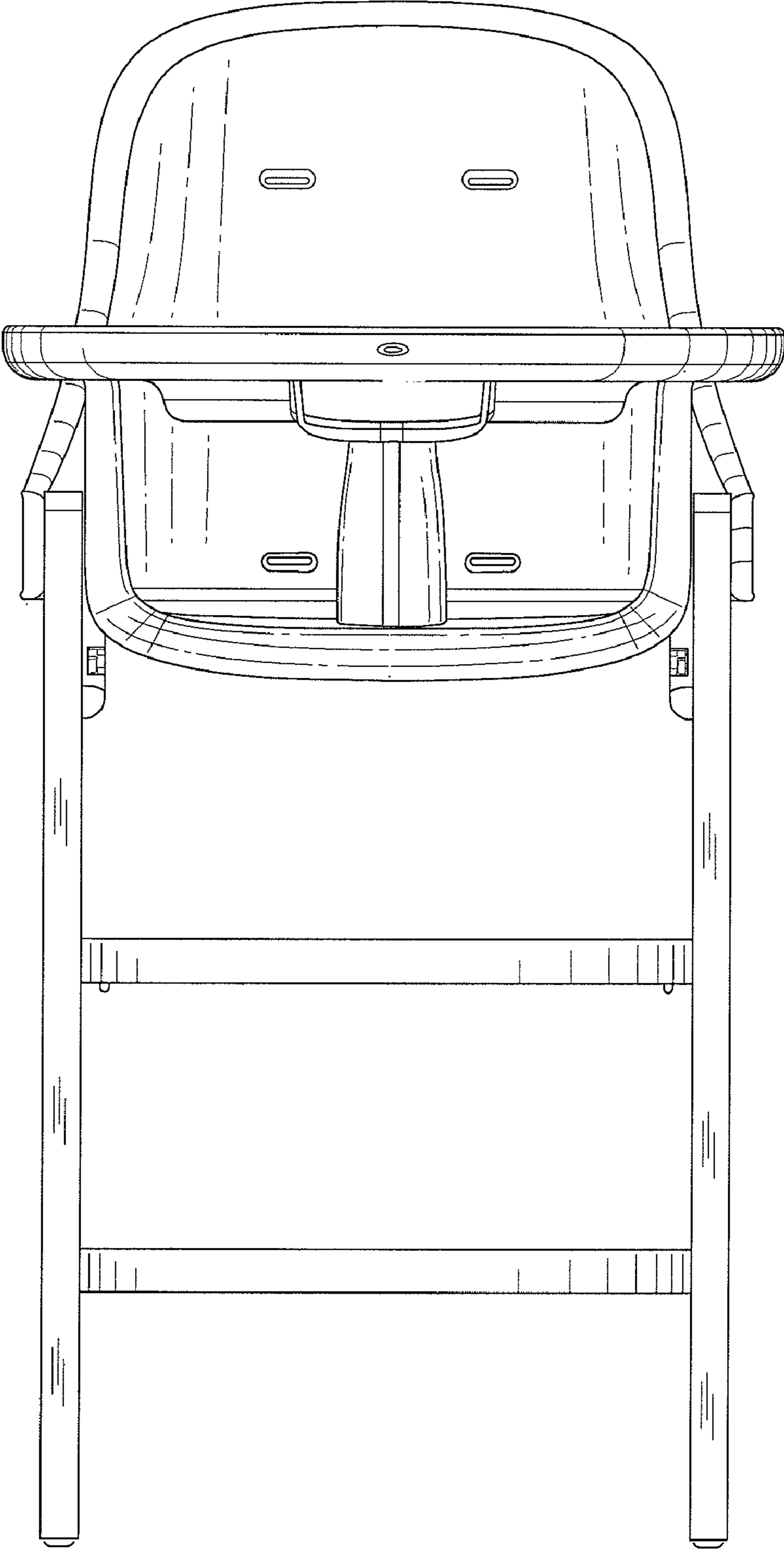


Fig. 2

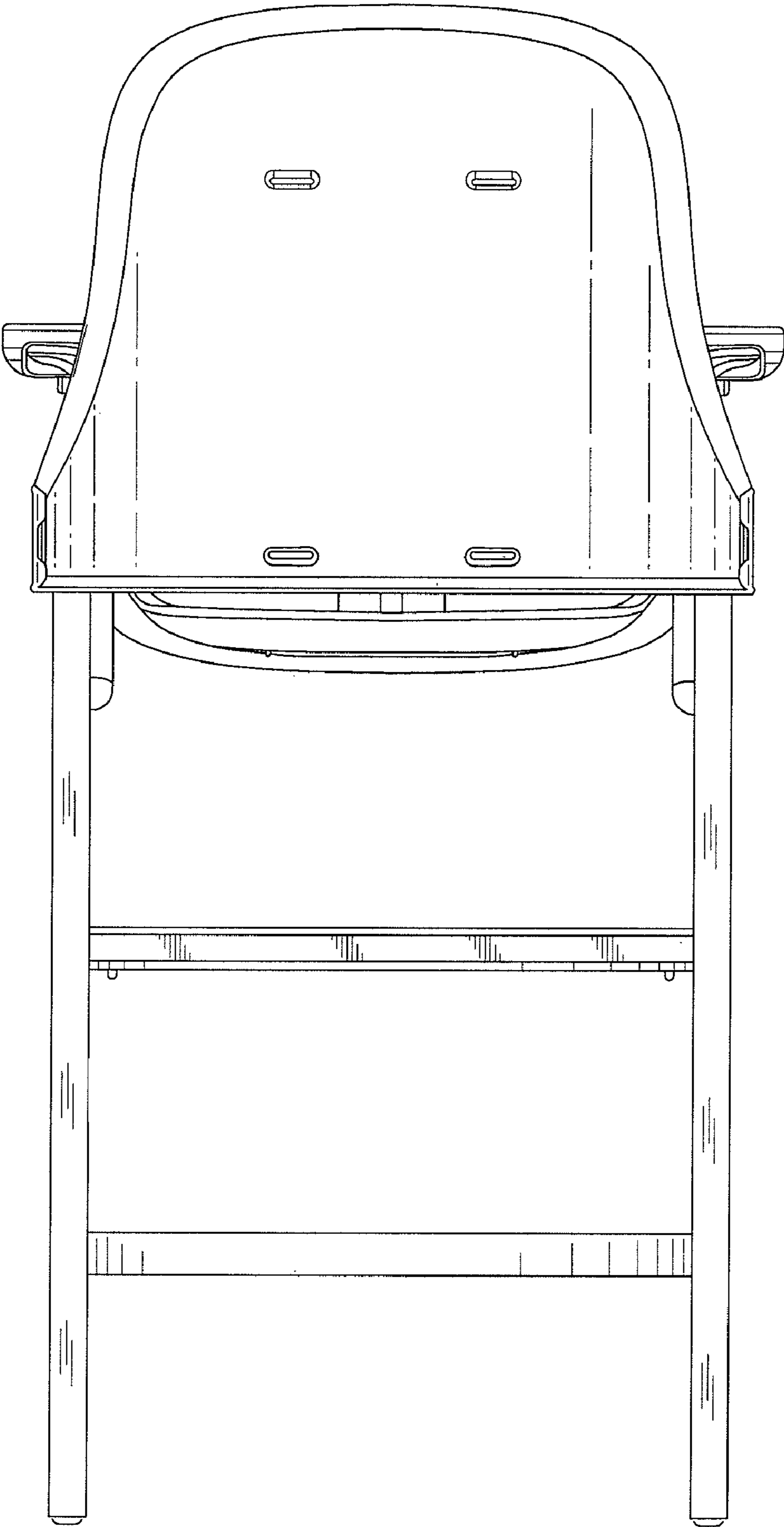


Fig. 3

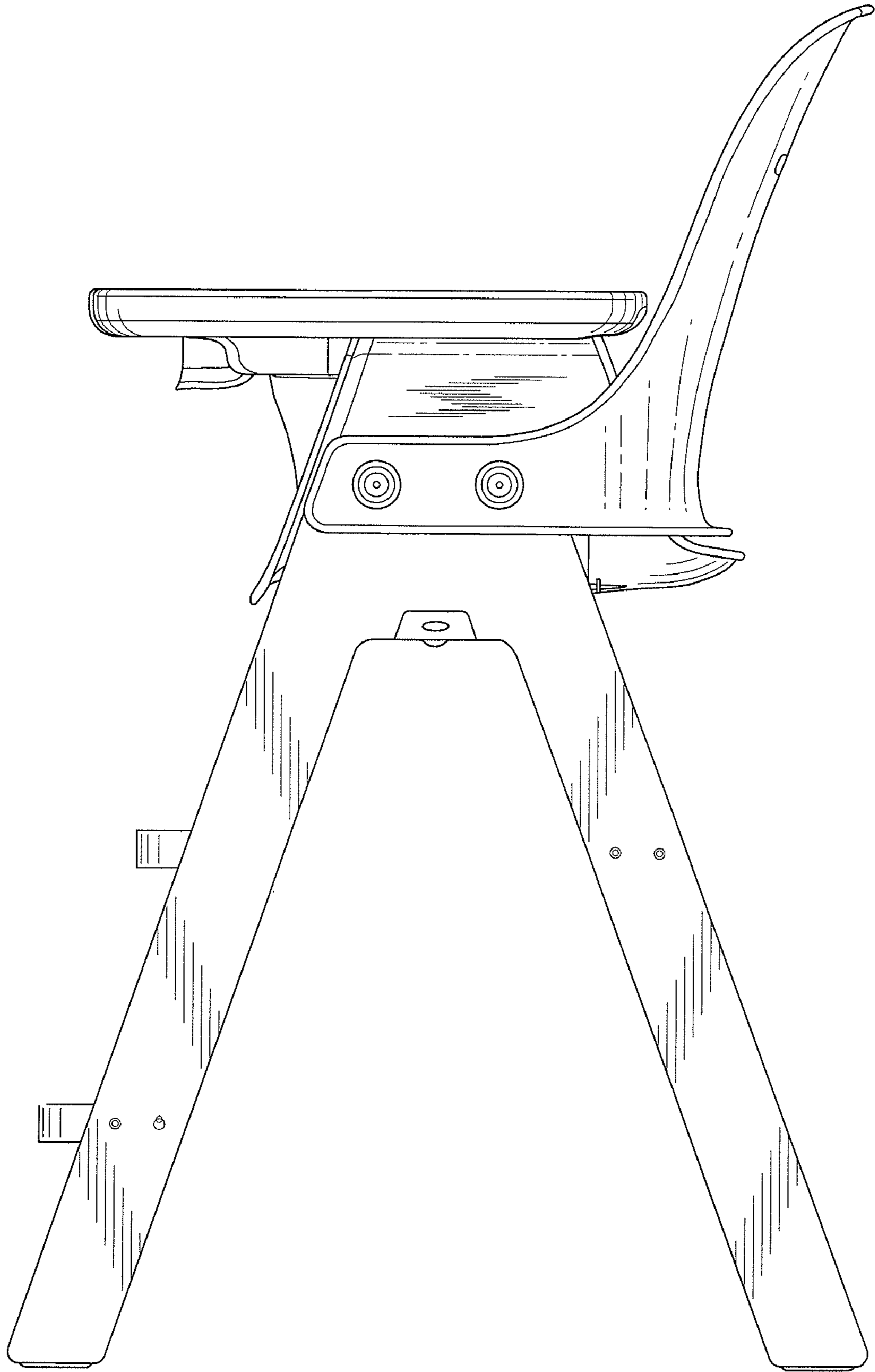


Fig. 4

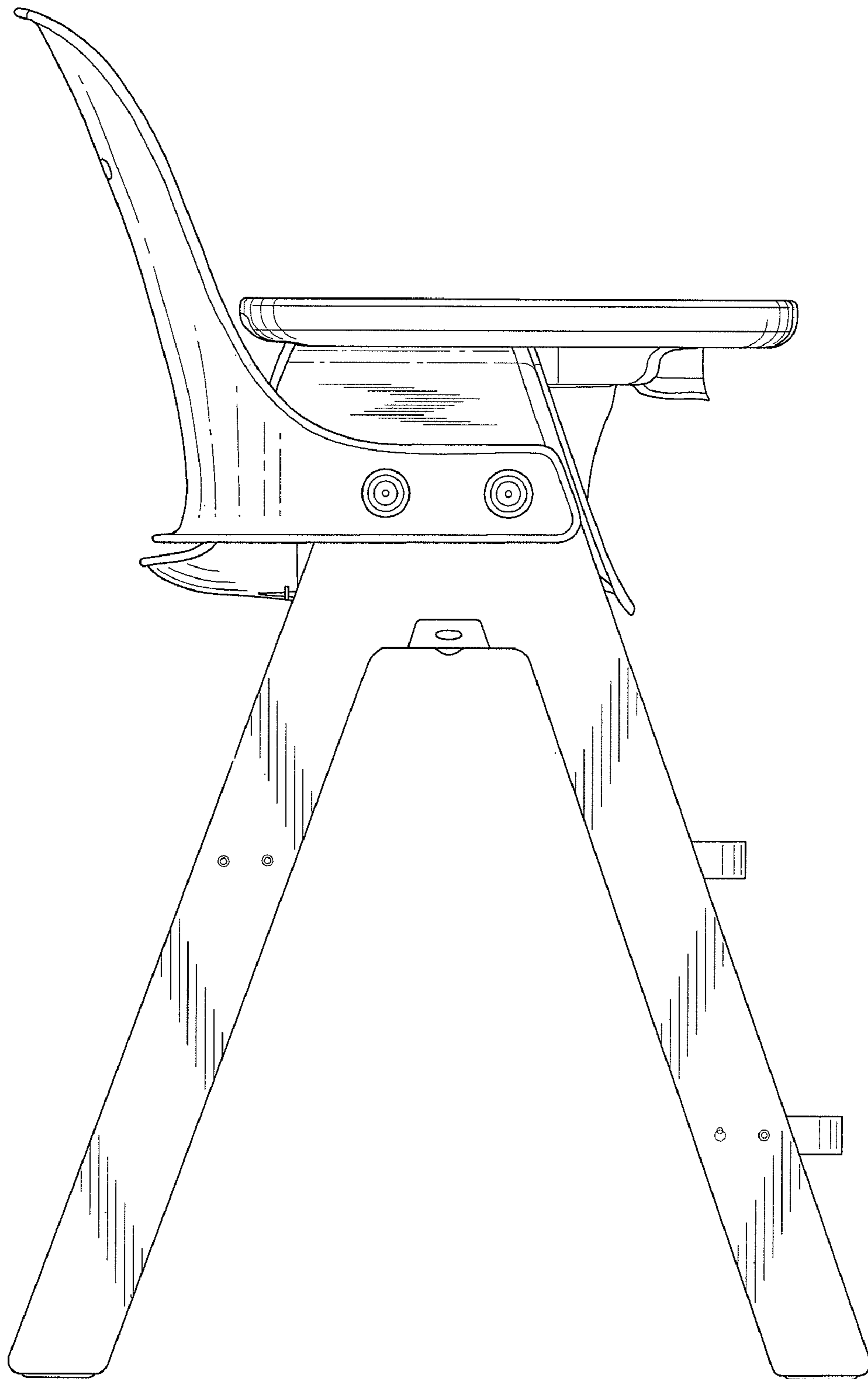


Fig. 5

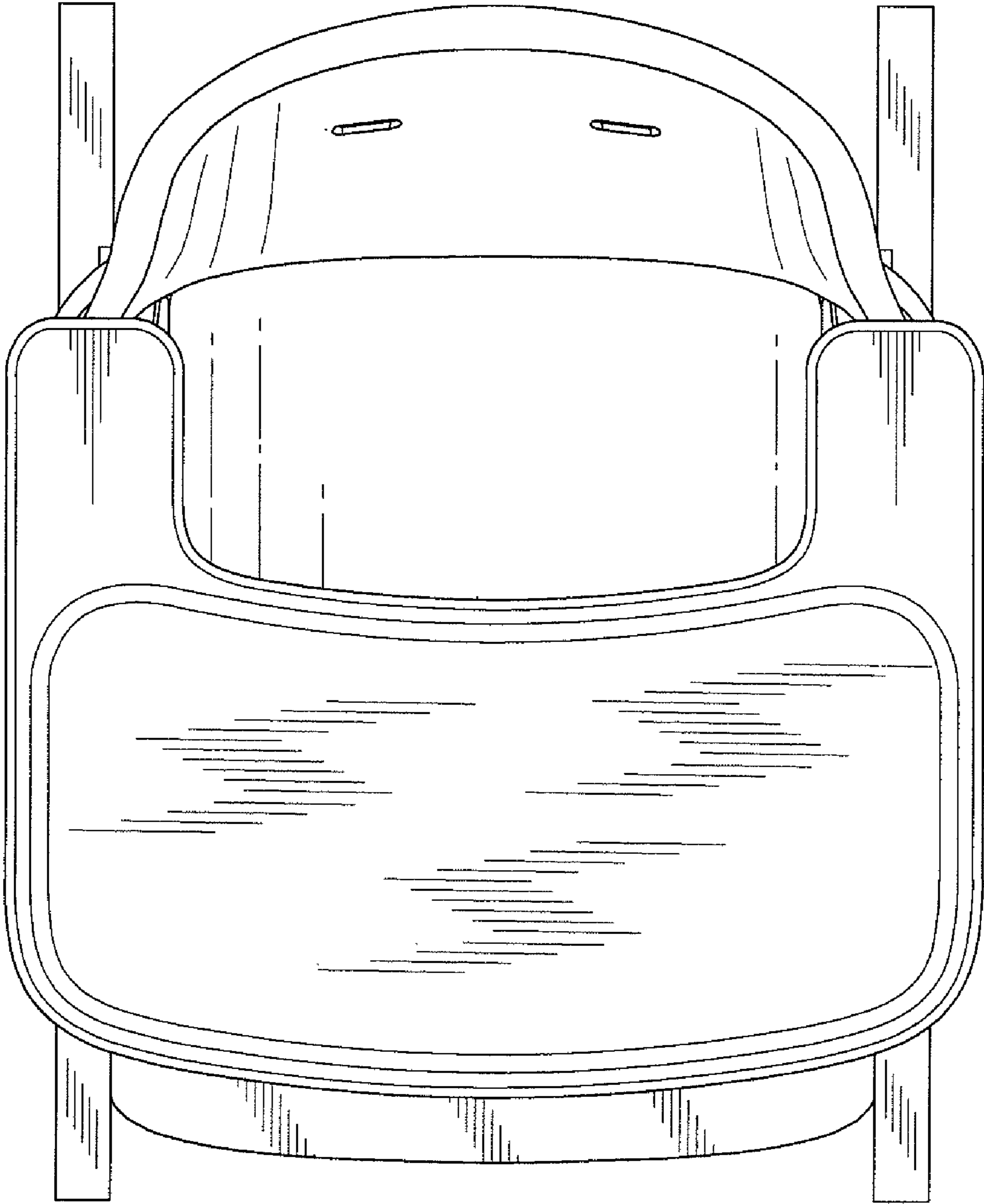


Fig. 6

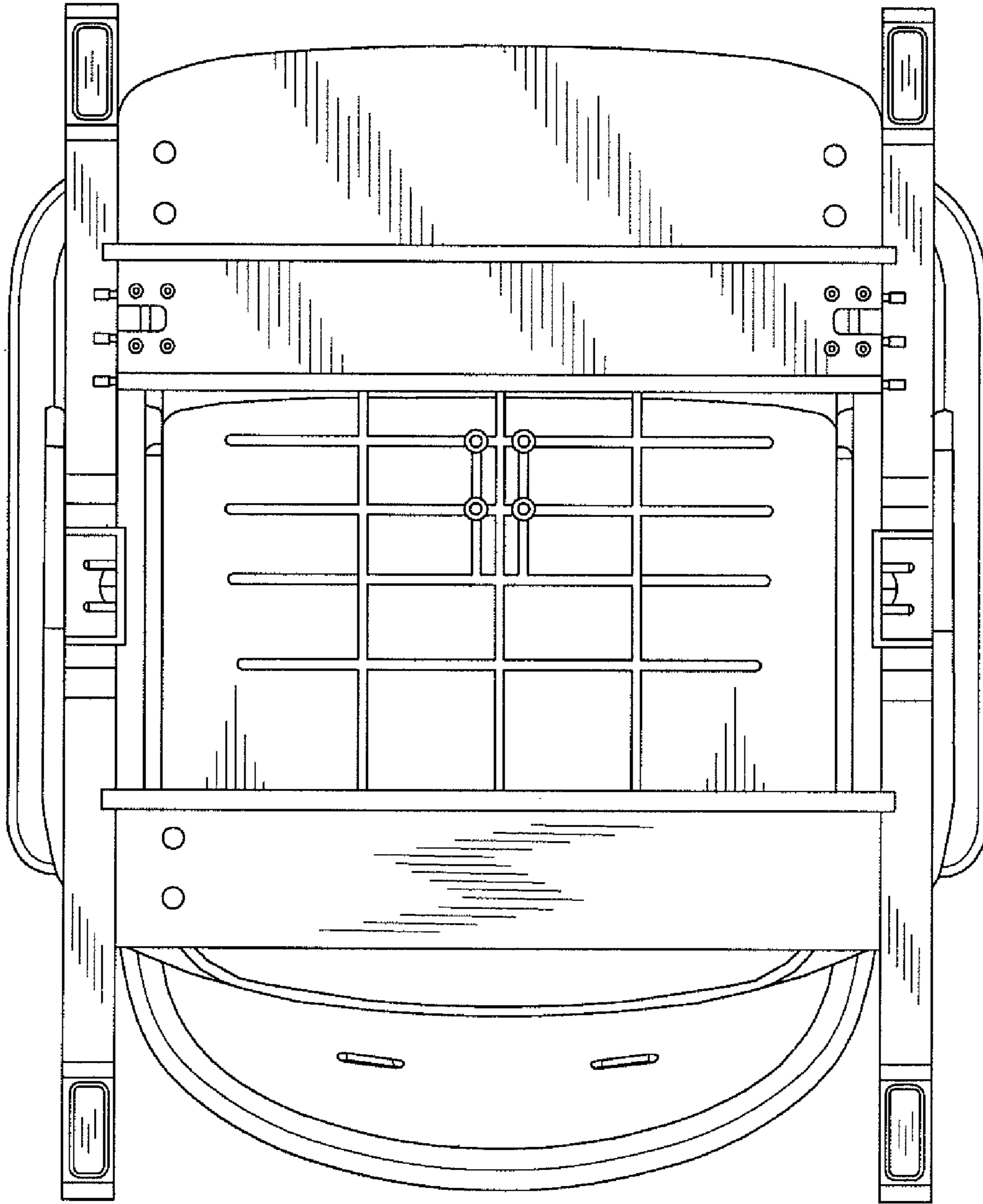


Fig. 7