



US00D641178S

(12) **United States Design Patent**  
**Drilling**

(10) **Patent No.:** **US D641,178 S**

(45) **Date of Patent:** **\*\* Jul. 12, 2011**

(54) **SLEEPER CHAIR**

(76) **Inventor:** **Stephen C. Drilling**, Southlake, TX  
(US)

(\*\*) **Term:** **14 Years**

(21) **Appl. No.:** **29/369,961**

(22) **Filed:** **Sep. 15, 2010**

(51) **LOC (9) Cl.** ..... **06-01**

(52) **U.S. Cl.** ..... **D6/334**

(58) **Field of Classification Search** ..... D6/334,  
D6/335, 337, 349, 353, 380, 381, 500-502;  
5/12.1, 12.2; 297/14, 43, 44, 118, 140, 245,  
297/300.1, 311, 353, 354.1, 445.1, 446.1,  
297/446.2, 447.4, 465, 900, DIG. 2, DIG. 7  
See application file for complete search history.

(56) **References Cited**

U.S. PATENT DOCUMENTS

2,217,426	A *	10/1940	Zareko	.....	297/117
3,742,526	A *	7/1973	Lillard	.....	5/12.1
D241,795	S *	10/1976	Fister, Jr.	.....	D6/334
4,442,556	A *	4/1984	Craigie	.....	5/13
4,447,921	A *	5/1984	Greenblatt	.....	5/12.1
4,628,551	A *	12/1986	Atimichuk	.....	5/12.1
D422,422	S *	4/2000	Black	.....	D6/369
D439,752	S *	4/2001	Natuzzi et al.	.....	D6/334
D462,533	S *	9/2002	Popham et al.	.....	D6/334
D480,567	S *	10/2003	Ricci	.....	D6/334
D489,188	S *	5/2004	Ricci	.....	D6/334
D495,153	S *	8/2004	Ricci	.....	D6/334
D506,323	S *	6/2005	White, III	.....	D6/334
D533,365	S *	12/2006	Martin	.....	D6/334
D538,054	S *	3/2007	Lissoni	.....	D6/334
D572,916	S *	7/2008	Galardo et al.	.....	D6/334
D580,664	S *	11/2008	Cramer et al.	.....	D6/334

D586,131	S *	2/2009	Cramer et al.	.....	D6/334
D603,613	S *	11/2009	Wilson	.....	D6/334
2006/0225201	A1 *	10/2006	Kristen	.....	5/12.1

\* cited by examiner

*Primary Examiner* — Sandra Snapp

(74) *Attorney, Agent, or Firm* — Fish & Richardson P.C.

(57) **CLAIM**

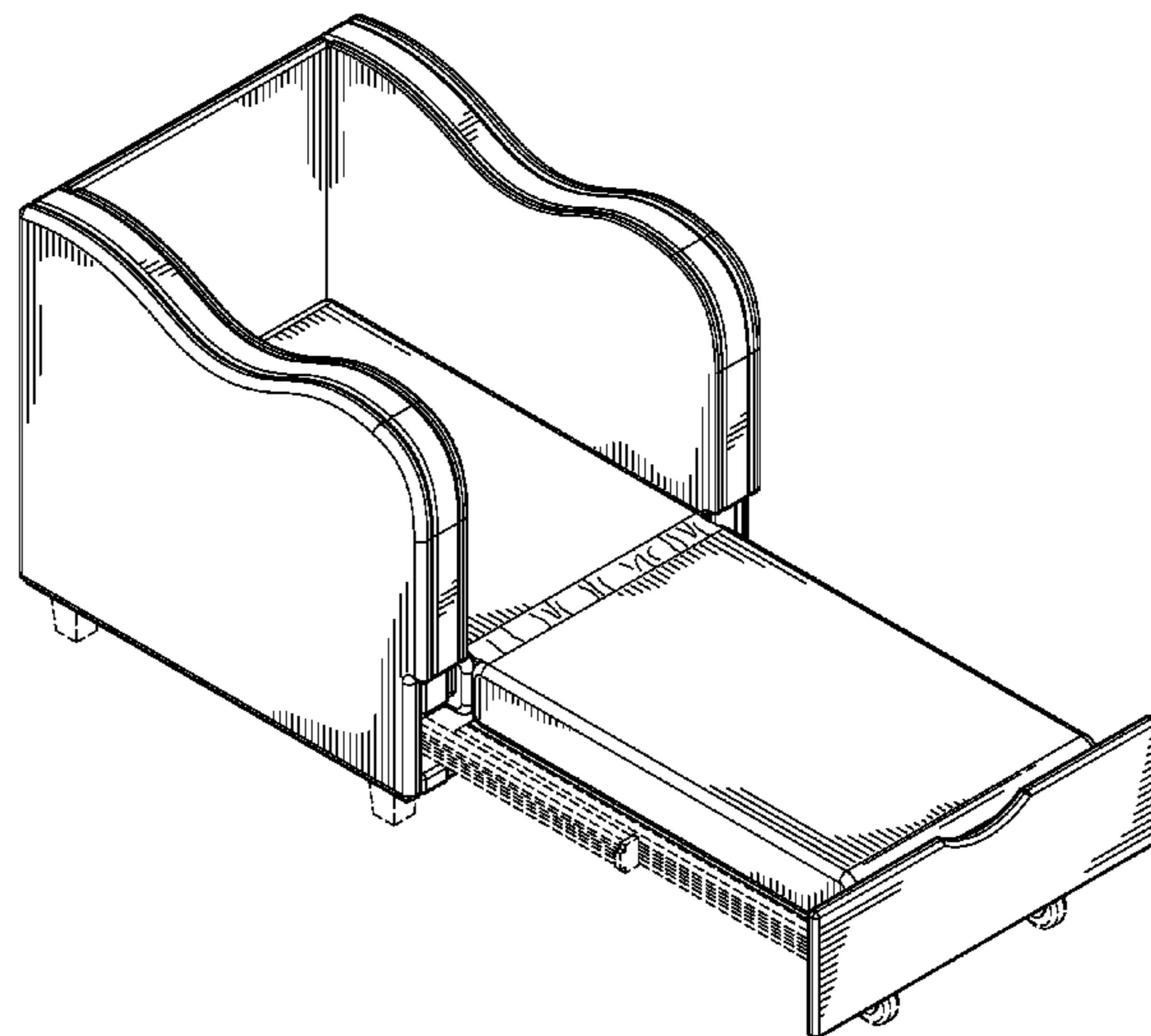
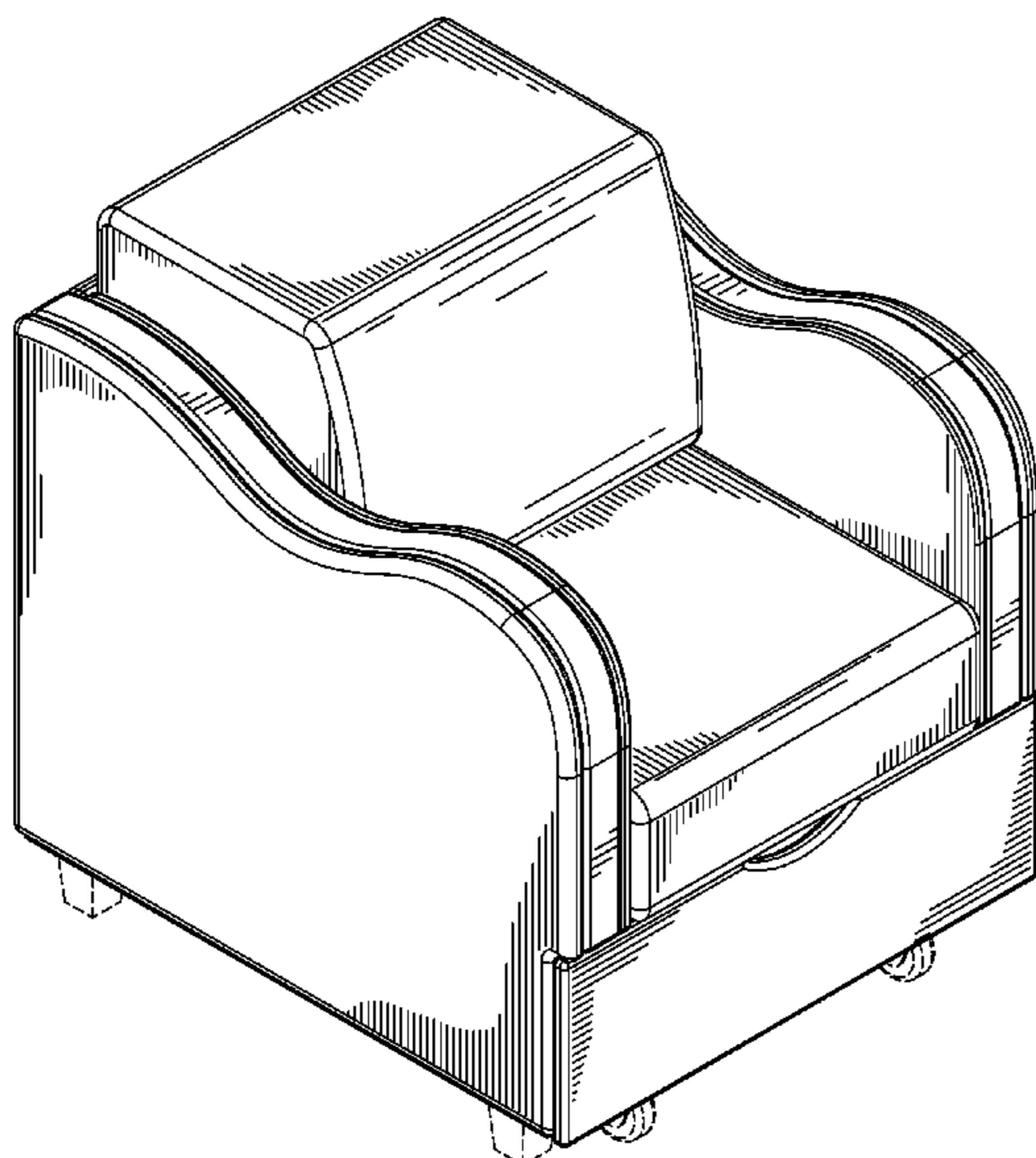
The ornamental design for a sleeper chair, substantially as shown and described.

**DESCRIPTION**

FIG. 1 is a perspective view of a sleeper chair with undulating armrests showing my new design;  
 FIG. 2 is a front-side view thereof;  
 FIG. 3 is a back-view thereof;  
 FIG. 4 is a left-side view thereof;  
 FIG. 5 is a right-side view thereof;  
 FIG. 6 is a top-side view thereof;  
 FIG. 7 is a bottom-side view of the sleeper chair;  
 FIG. 8 is a perspective view of an extended sleeper chair with undulating armrests;  
 FIG. 9 is a front-side view of the extended sleeper chair of FIG. 8;  
 FIG. 10 is a back-side view of the extended sleeper chair of FIG. 8;  
 FIG. 11 is a left-side view of the extended sleeper chair of FIG. 8;  
 FIG. 12 is a right-side view of the extended sleeper chair of FIG. 8; and  
 FIG. 13 is a top-side view of the extended sleeper chair of FIG. 8; and,  
 FIG. 14 is a bottom-side view of the extended sleeper chair of FIG. 8.

The broken lines in FIGS. 1-14 are environmental only and form no part of the claimed design.

**1 Claim, 13 Drawing Sheets**



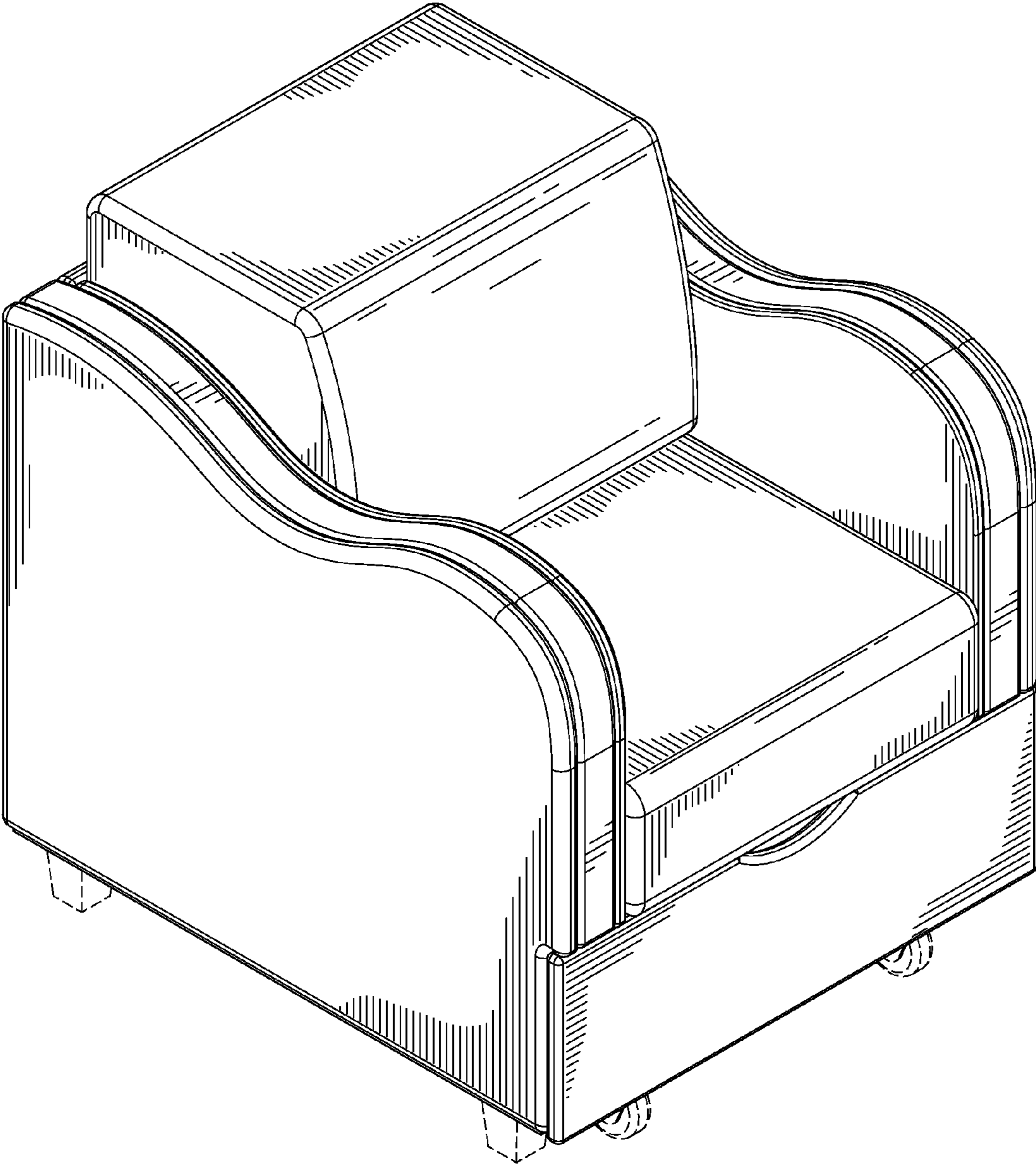


FIG. 1

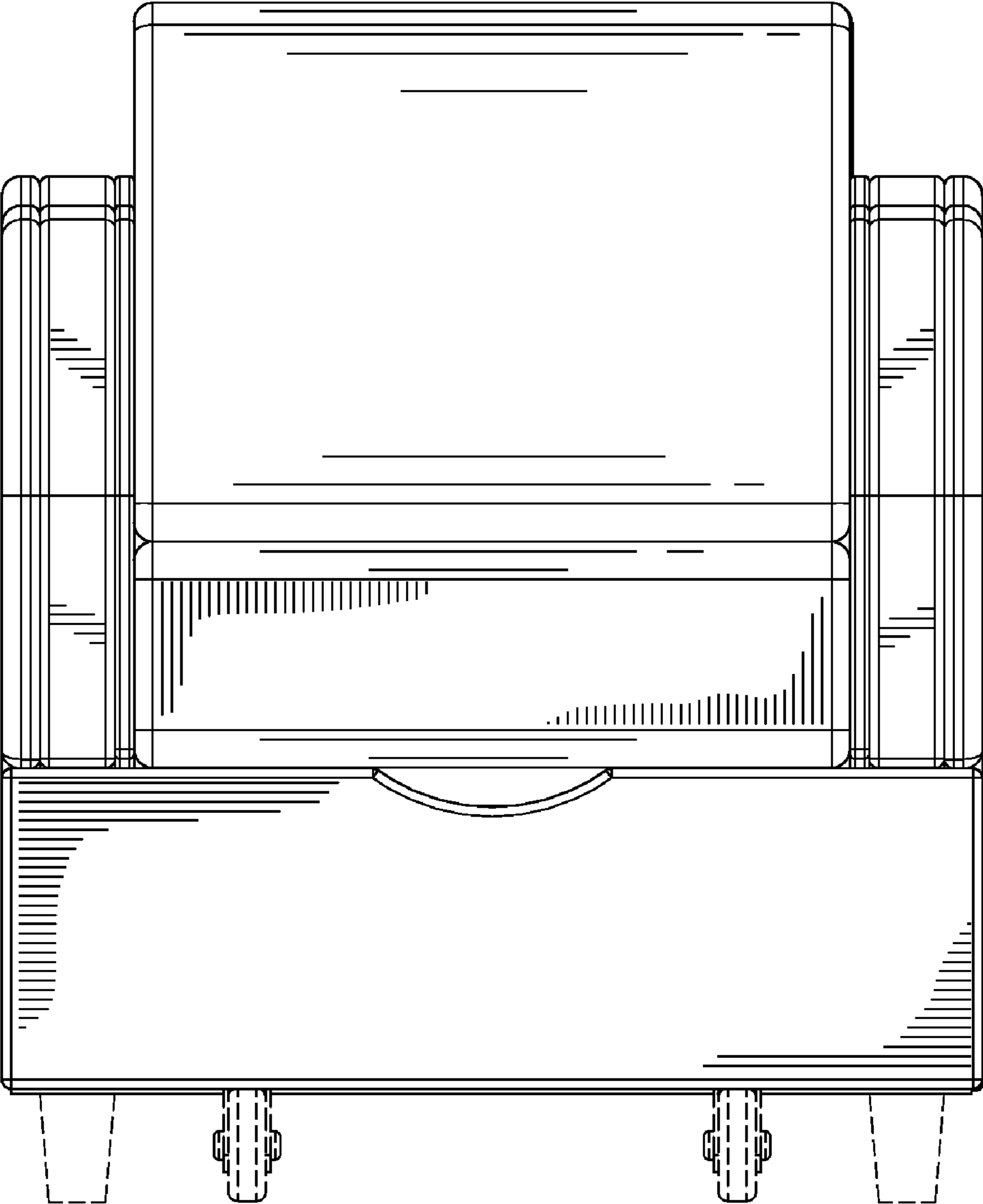


FIG. 2

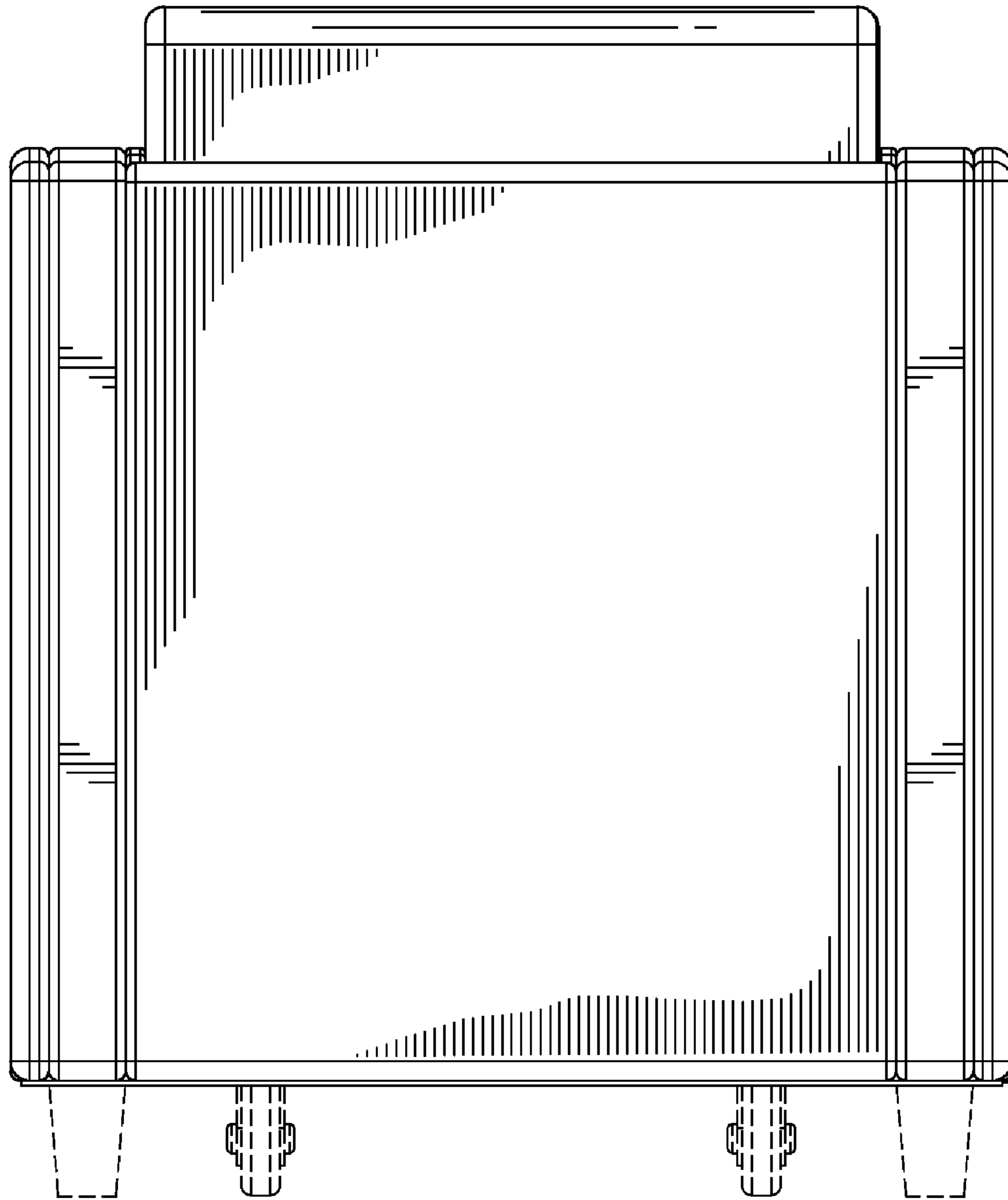


FIG. 3

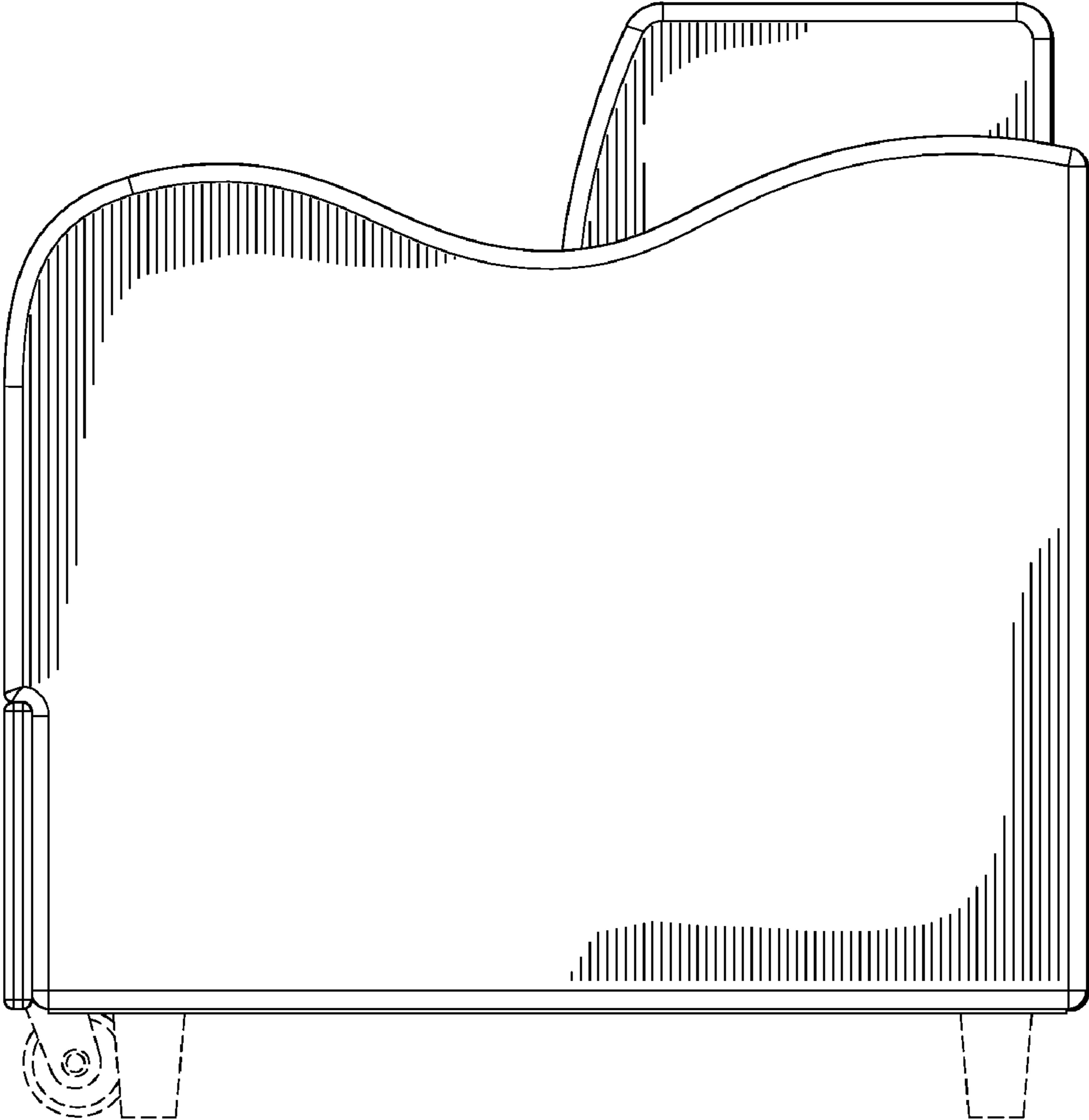


FIG. 4

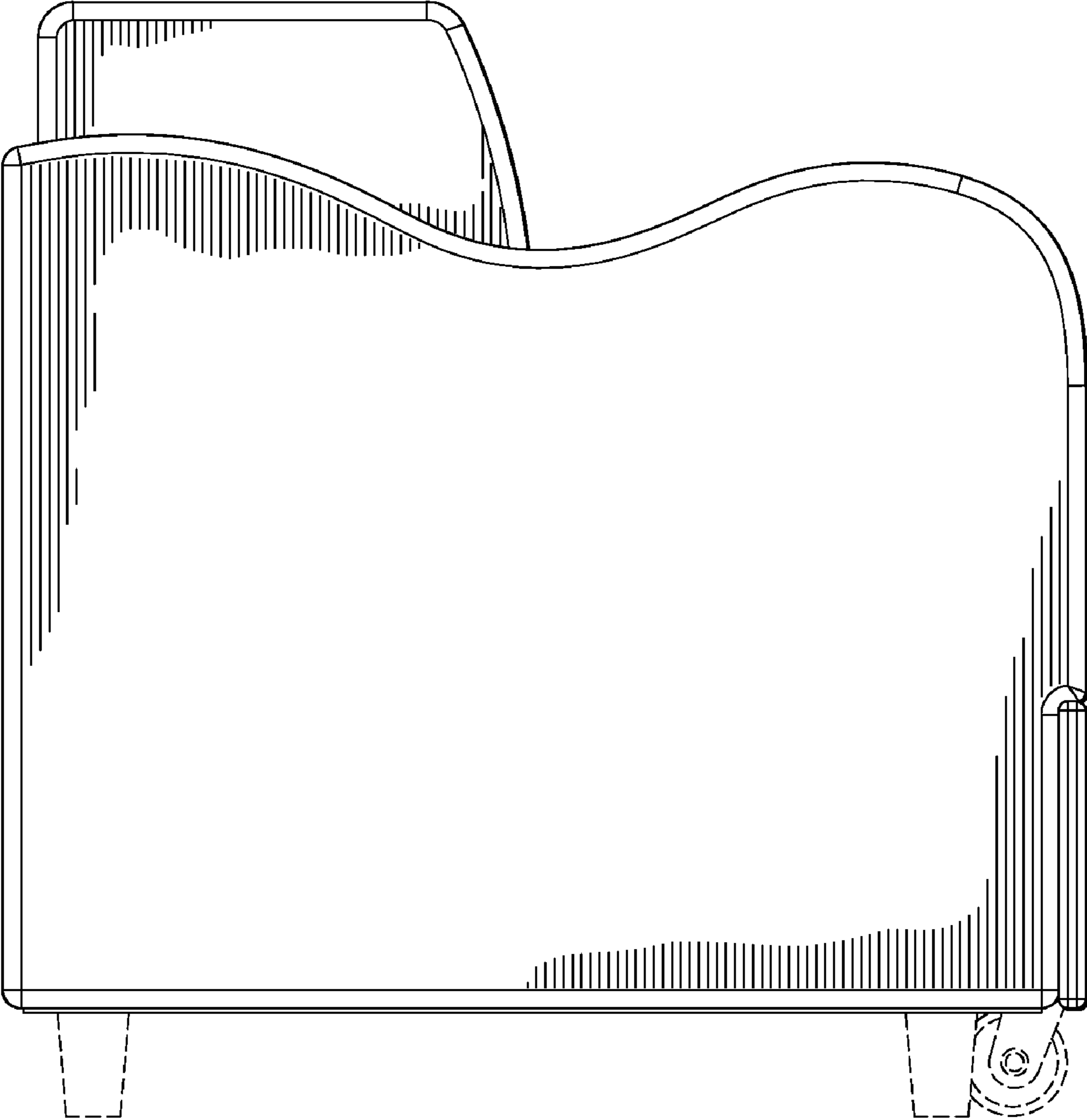


FIG. 5

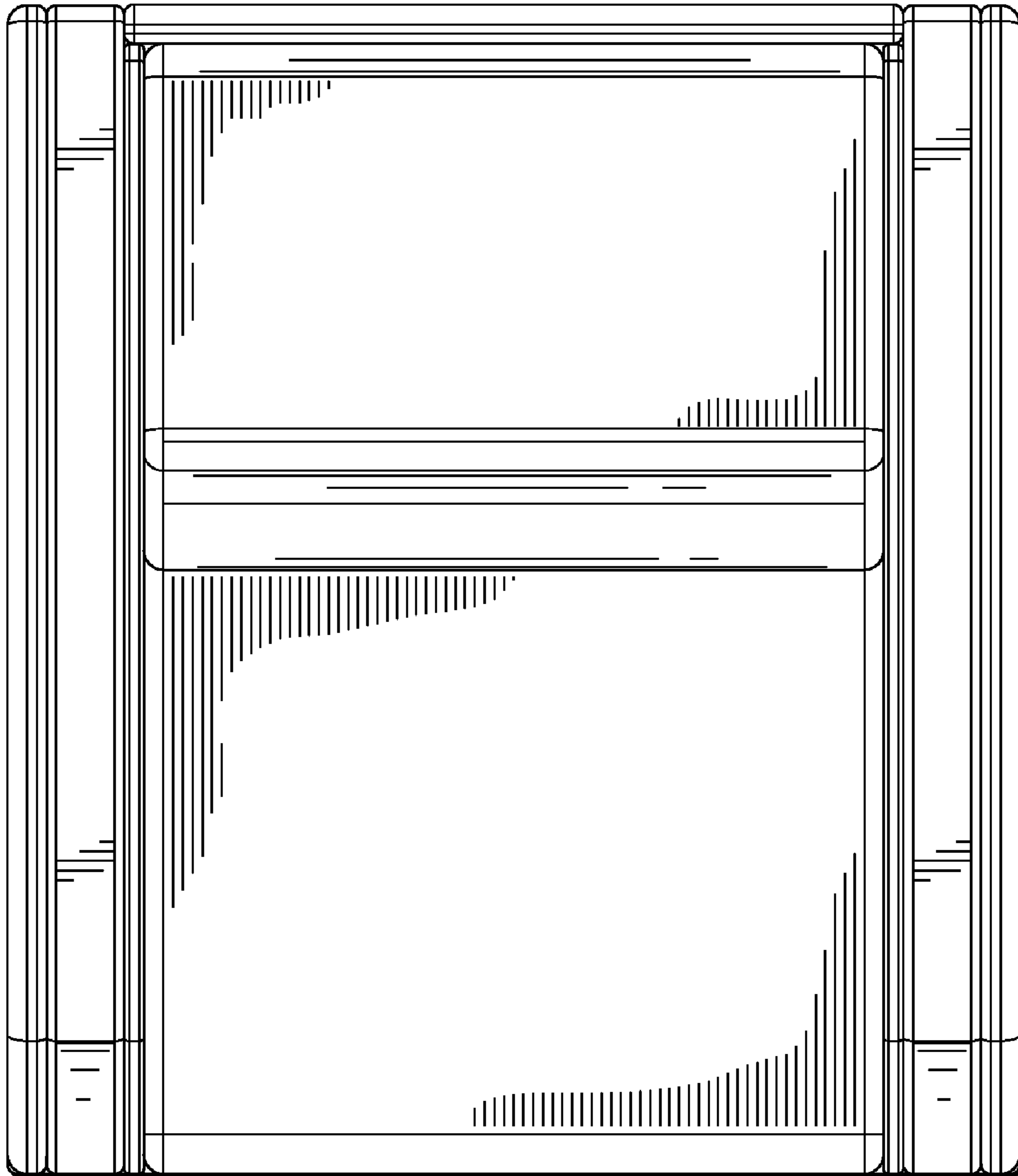


FIG. 6

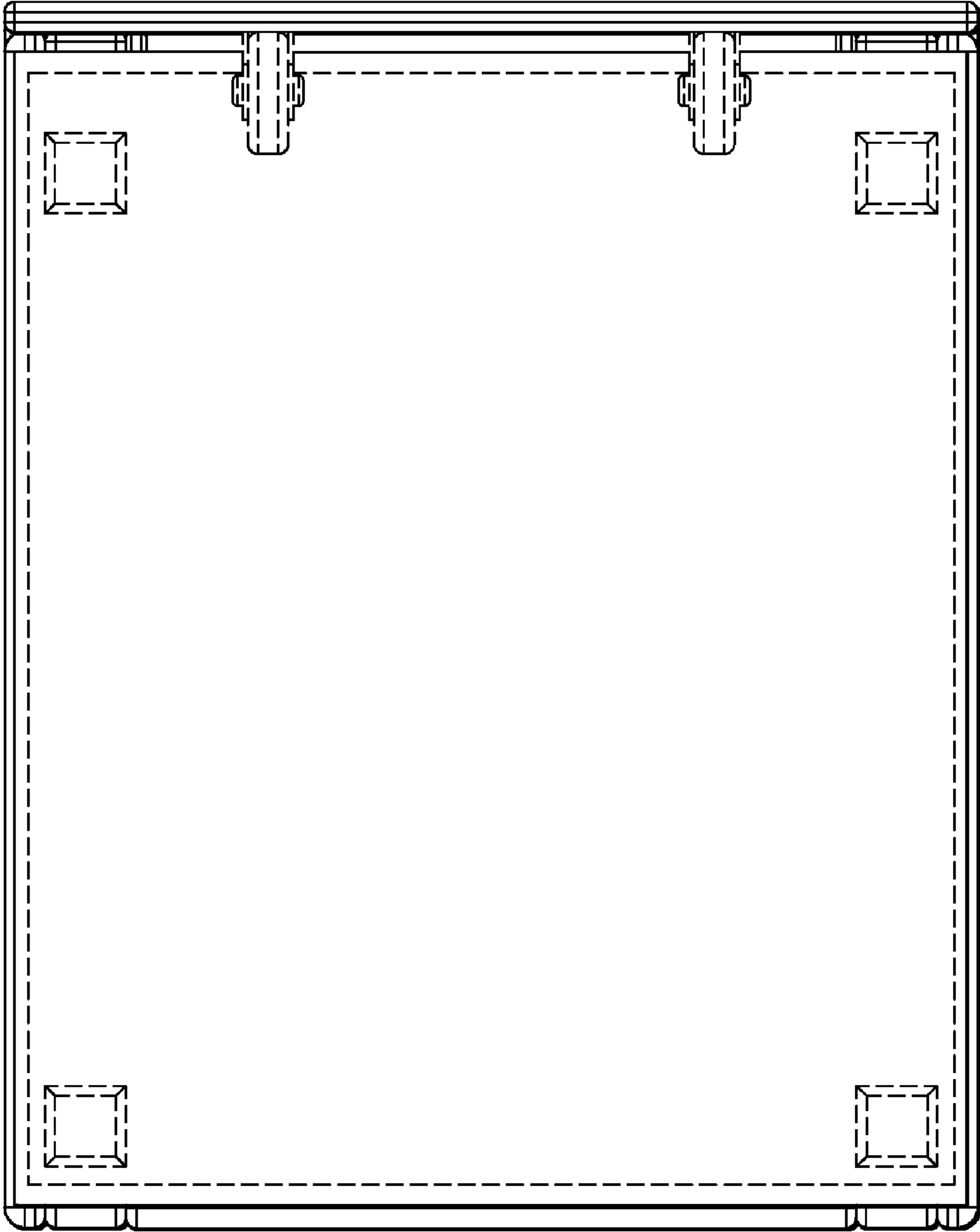


FIG. 7



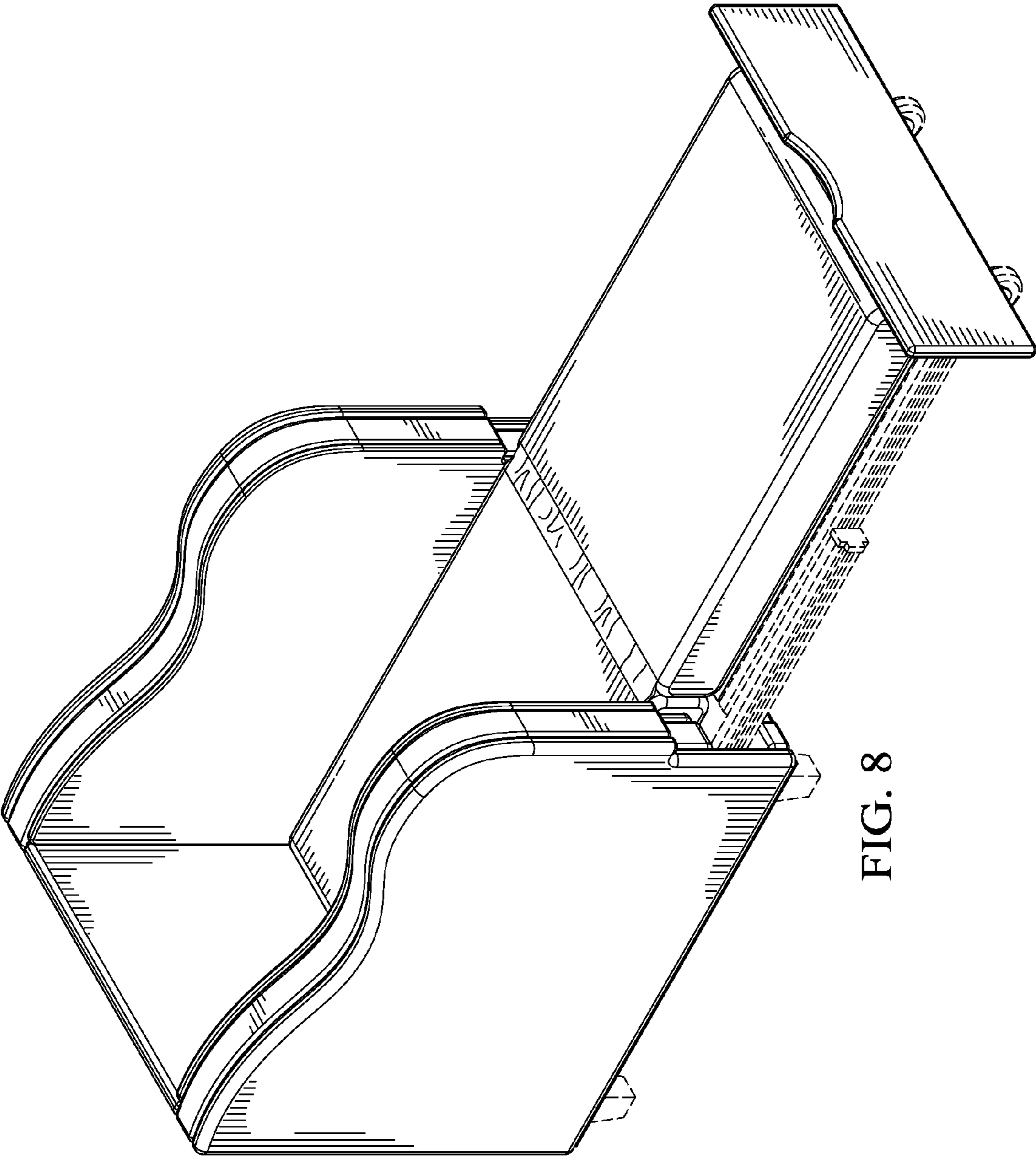


FIG. 8

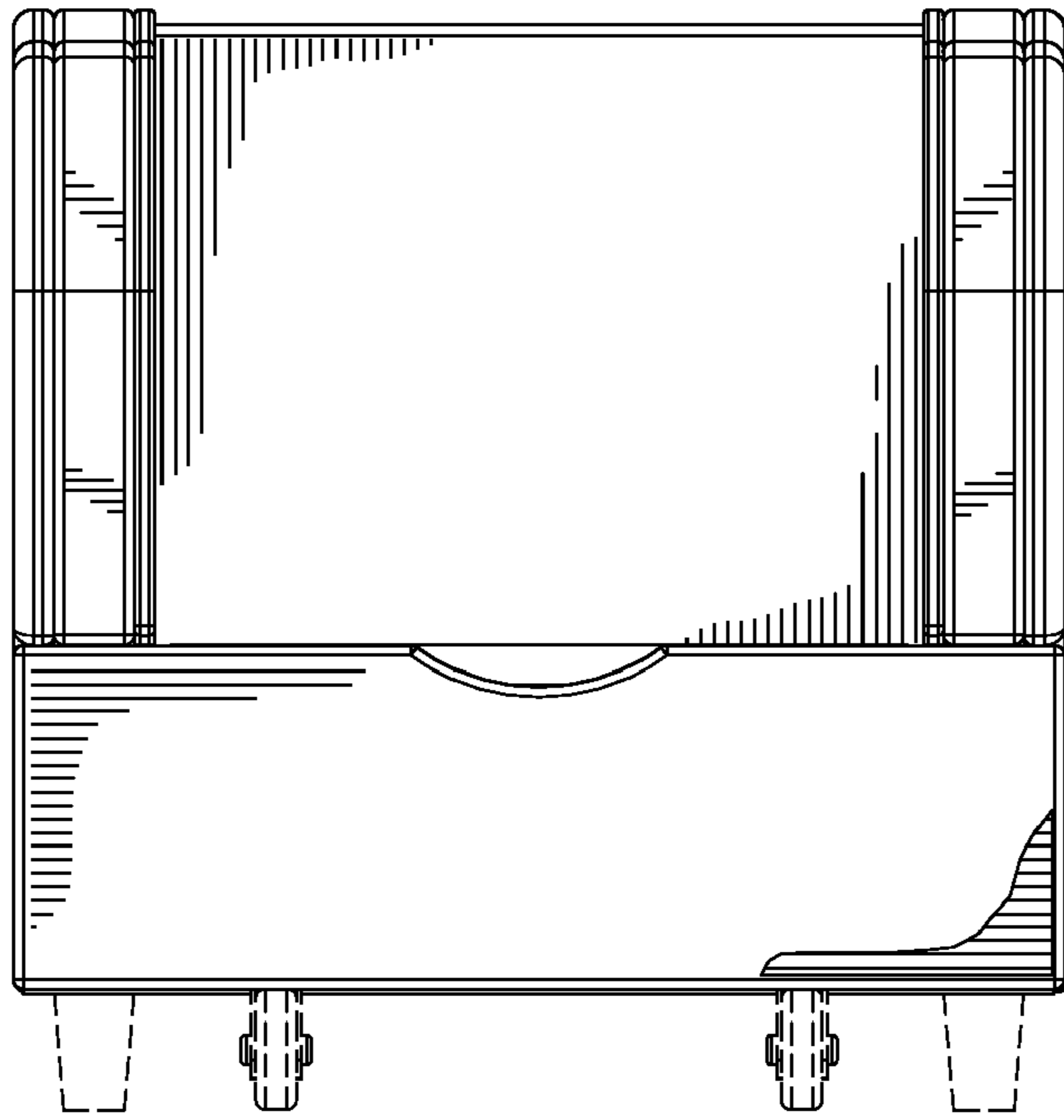


FIG. 9

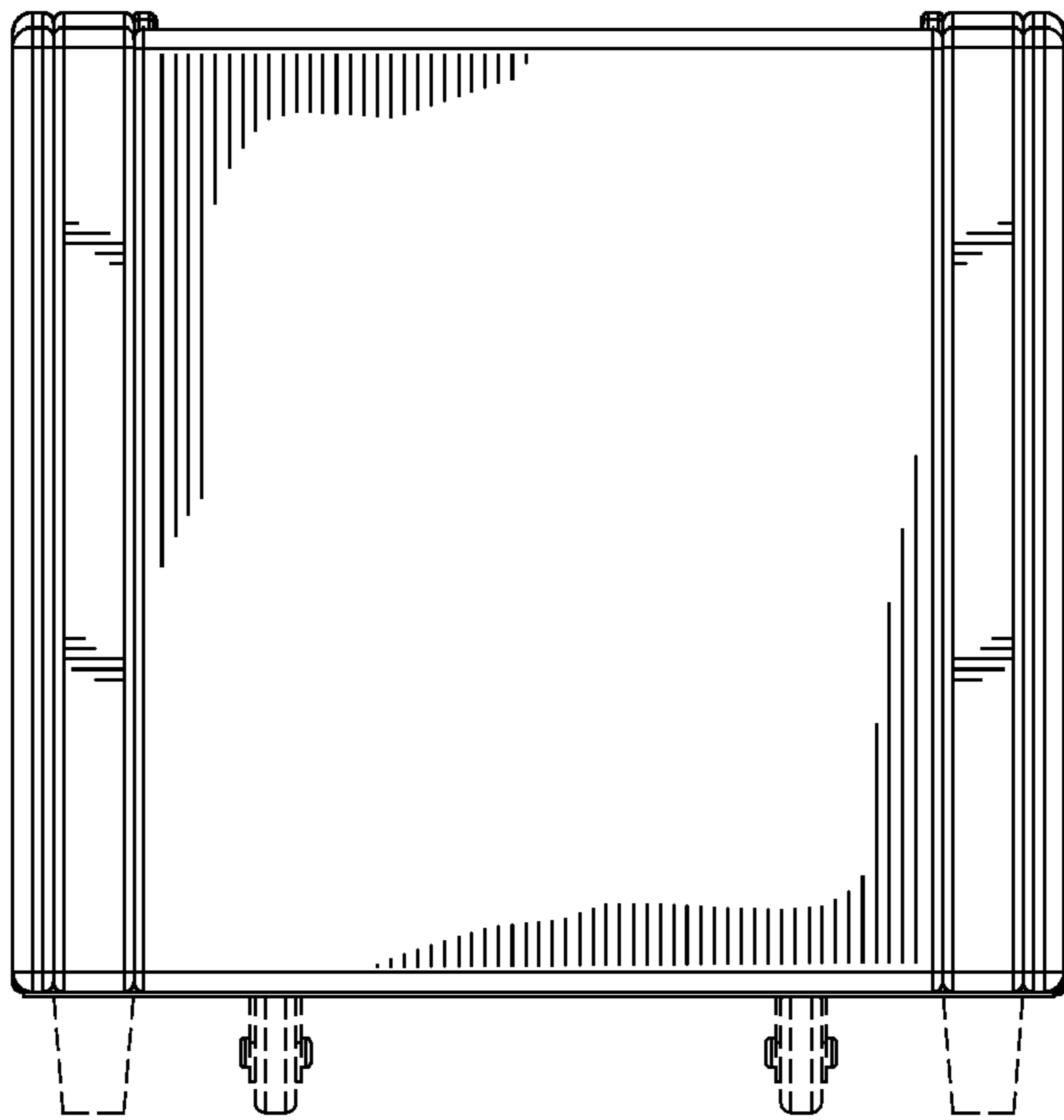


FIG. 10

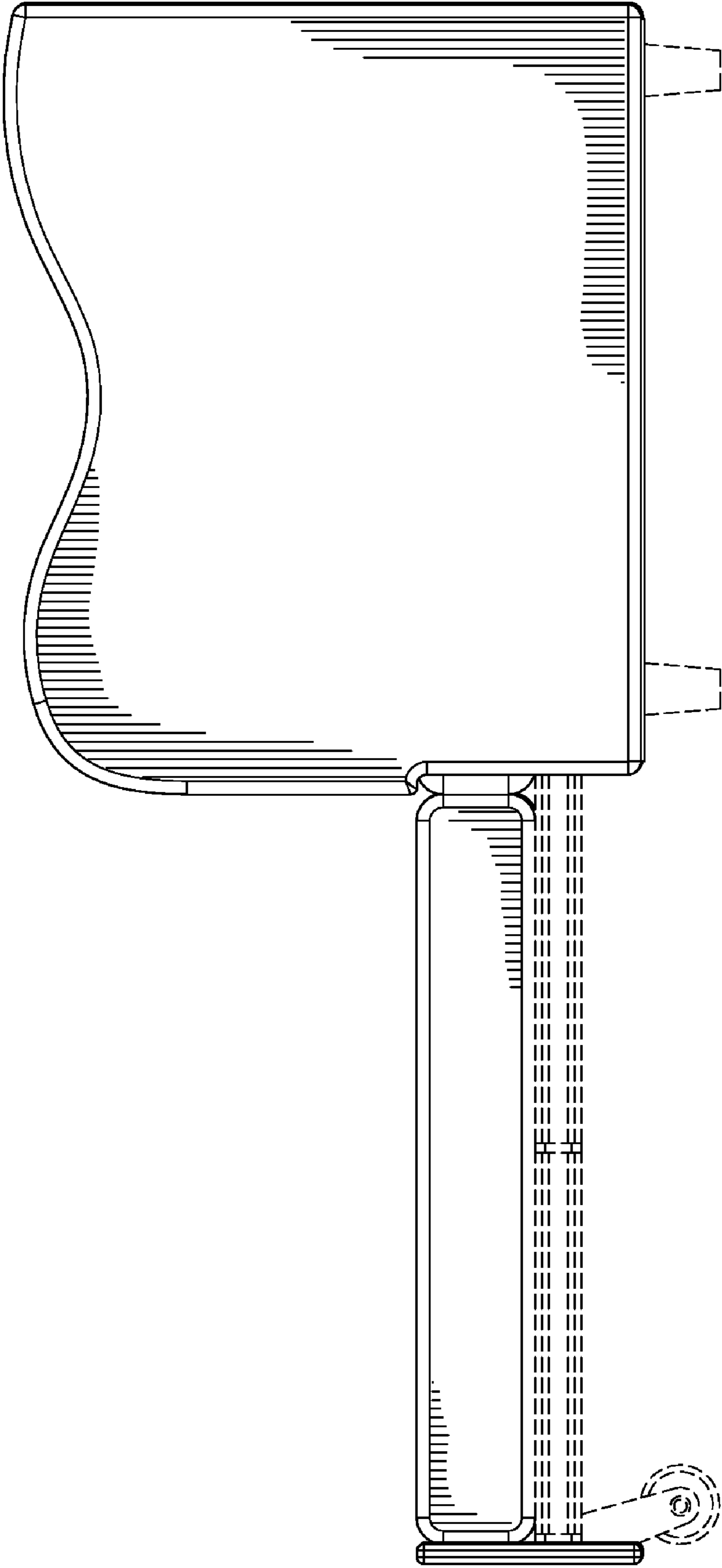


FIG. 11

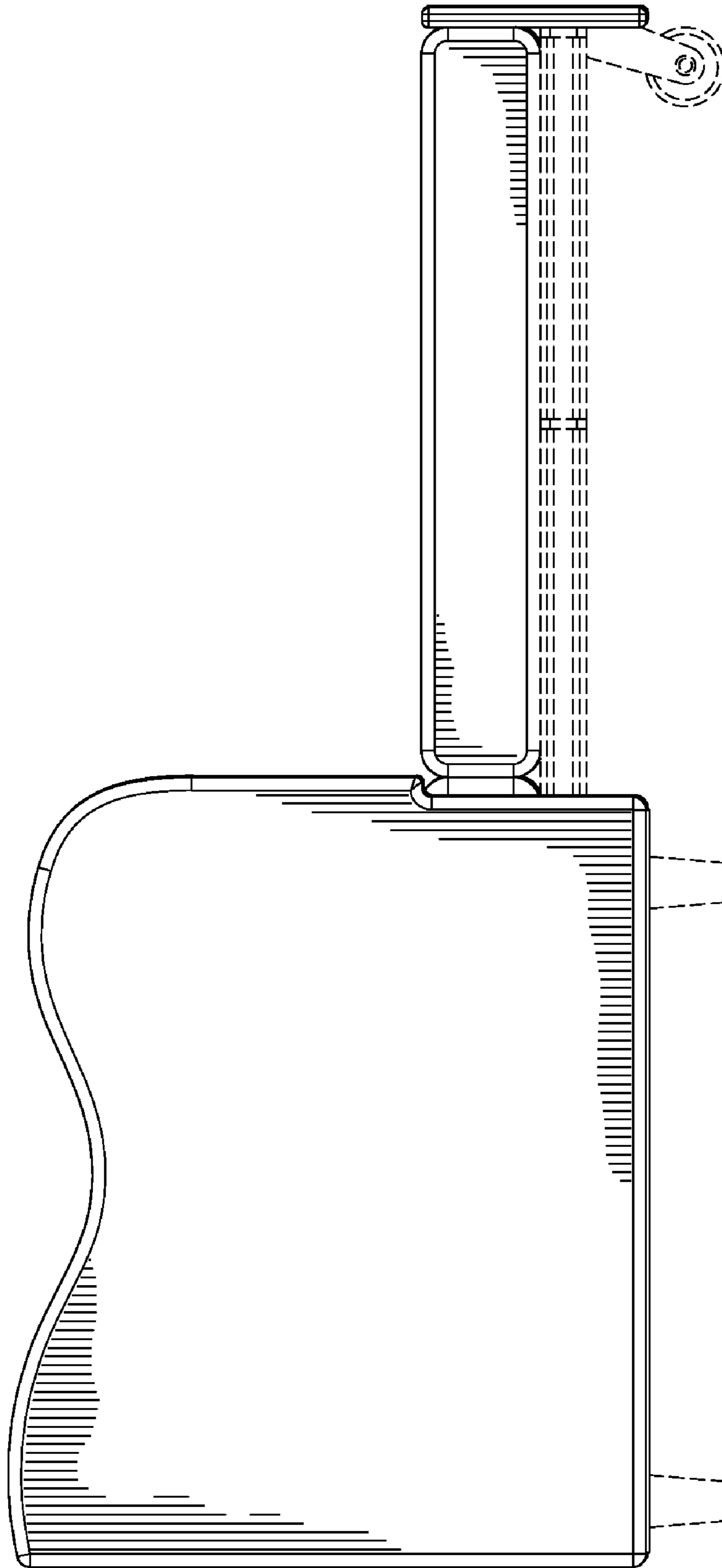


FIG. 12

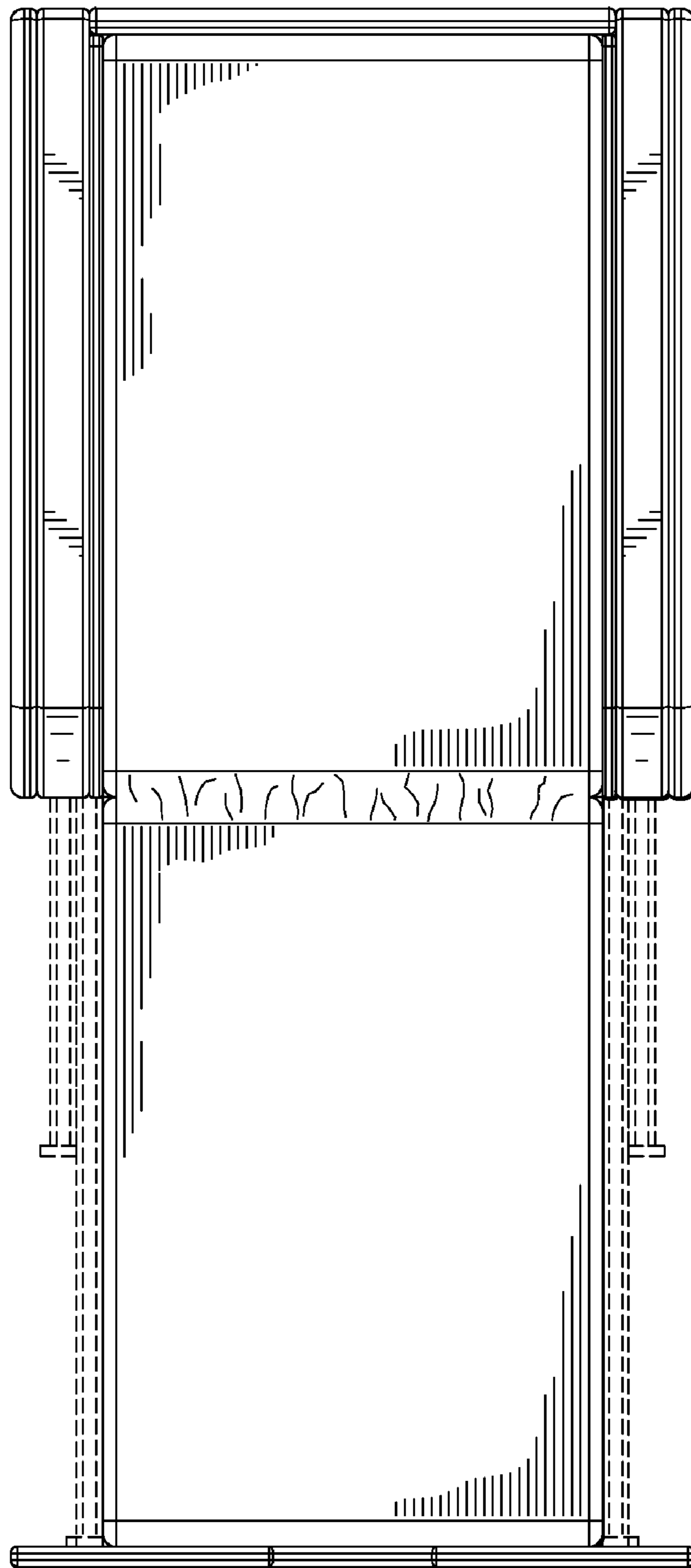


FIG. 13

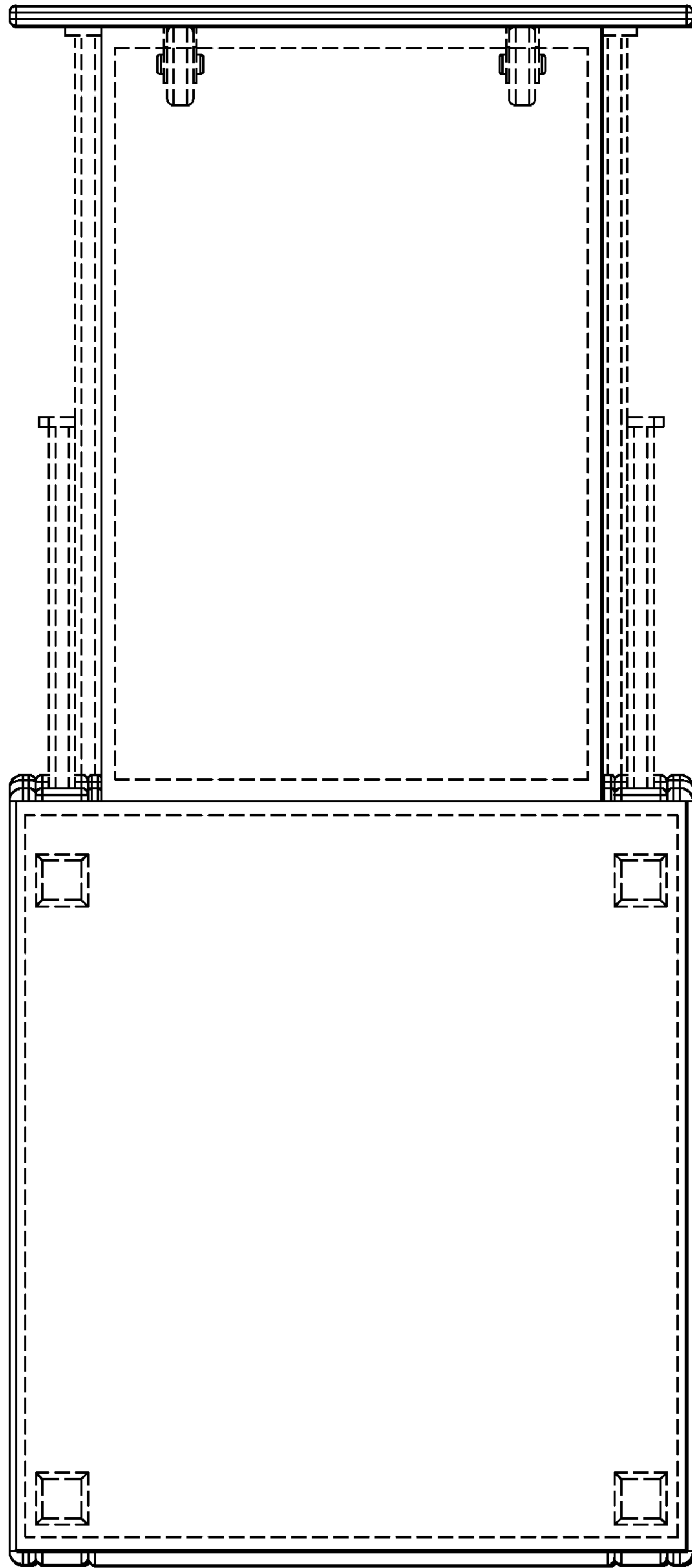


FIG. 14