



US00D641177S

(12) **United States Design Patent**
Chamberlain

(10) **Patent No.:** **US D641,177 S**
(45) **Date of Patent:** **** Jul. 12, 2011**

(54) **RECIPE EASEL**

(76) Inventor: **Joan Chamberlain**, Dallas, TX (US)

(**) Term: **14 Years**

(21) Appl. No.: **29/379,103**

(22) Filed: **Nov. 15, 2010**

(51) **LOC (9) Cl.** **06-07**

(52) **U.S. Cl.** **D6/310**

(58) **Field of Classification Search** D6/449.312,
D6/420, 406.3, 553, 310-314, 419; D3/201,
D3/276, 290; 206/213, 8, 243.8, 278.9; D19/88-91;
24/67.3, 67.5; 211/50; 248/447, 455, 460,
248/463, 464, 451-452, 450; D14/447
See application file for complete search history.

7,090,074 B2 8/2006 Isaacs
D533,596 S 12/2006 Braddock
D534,730 S * 1/2007 Hardy D6/312
D577,361 S * 9/2008 Beilstein et al. D14/447
D578,130 S * 10/2008 Sween et al. D14/447
D578,540 S * 10/2008 Bouwknecht et al. D14/447
D579,234 S * 10/2008 Decarlo et al. D6/449
D581,150 S 11/2008 Chamberlain
D588,354 S 3/2009 Chamberlain
2005/0274852 A1 12/2005 Saez

* cited by examiner

Primary Examiner — Phillip S Hyder

Assistant Examiner — Sydney Buffalow

(74) *Attorney, Agent, or Firm* — James R. Gourley; Colin P. Cahoon; Carstens & Cahoon, LLP

(56) **References Cited**

U.S. PATENT DOCUMENTS

2,325,273	A	12/1942	Pung
2,902,785	A	9/1959	Nichols
4,420,270	A	12/1983	Rossello
4,630,769	A	12/1986	Bell
D328,985	S	9/1992	Sheldon
5,284,445	A	2/1994	Dietterich
5,324,076	A	6/1994	Nieradka
5,339,950	A	8/1994	Li
D380,610	S	7/1997	Corrales
D381,197	S	7/1997	Green
5,653,333	A	8/1997	Webster
D388,263	S	12/1997	Amerault
D398,650	S	9/1998	Shamoon
6,010,158	A	1/2000	Croteau
6,164,976	A	12/2000	Wilson
D437,709	S	2/2001	Edstrom
6,217,075	B1	4/2001	Tsai
D443,999	S	6/2001	Cable
D444,178	S	6/2001	Citron
D475,748	S	6/2003	Shamoon
6,637,774	B2	10/2003	Gaska
6,846,090	B1	1/2005	Smith

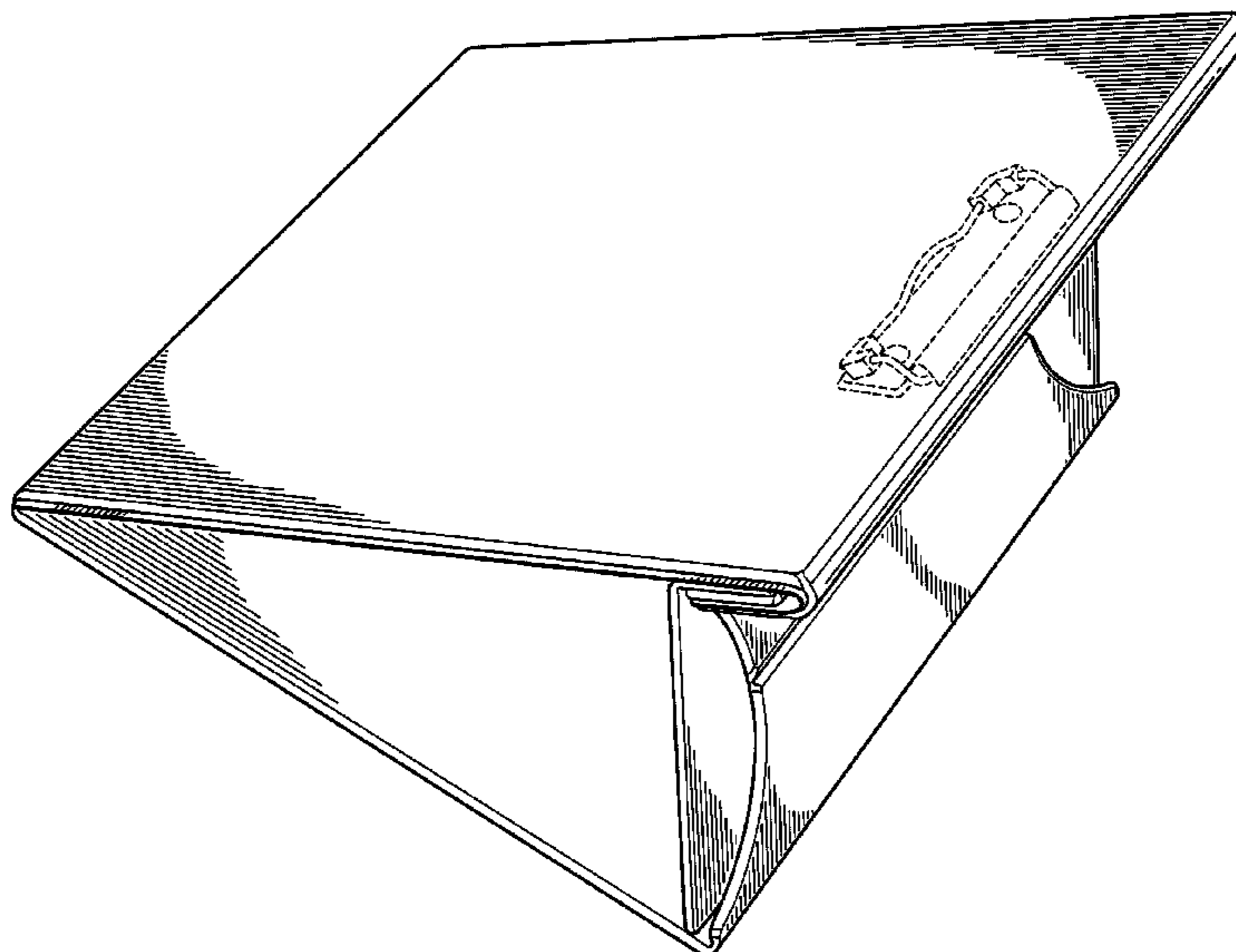
(57) **CLAIM**

The ornamental design for a recipe easel, as shown and described.

DESCRIPTION

FIG. 1 is a perspective view of the recipe easel of the present invention, with the easel extended;
FIG. 2 is a perspective view of the recipe easel of the present invention, with the easel partially collapsed;
FIG. 3 is a perspective view of the recipe easel of the present invention, with the easel completely collapsed;
FIG. 4 is a top elevation view of the recipe easel of the present invention;
FIG. 5 is a side view of the recipe easel of the present invention, with the easel collapsed;
FIG. 6 is a back side perspective of the recipe easel of the present invention, with the easel collapsed; and,
FIG. 7 is another back side perspective view of the recipe easel of the present invention, with the easel extended.
The broken lines are for illustrative purposes only and form no part of the claimed design.

1 Claim, 6 Drawing Sheets



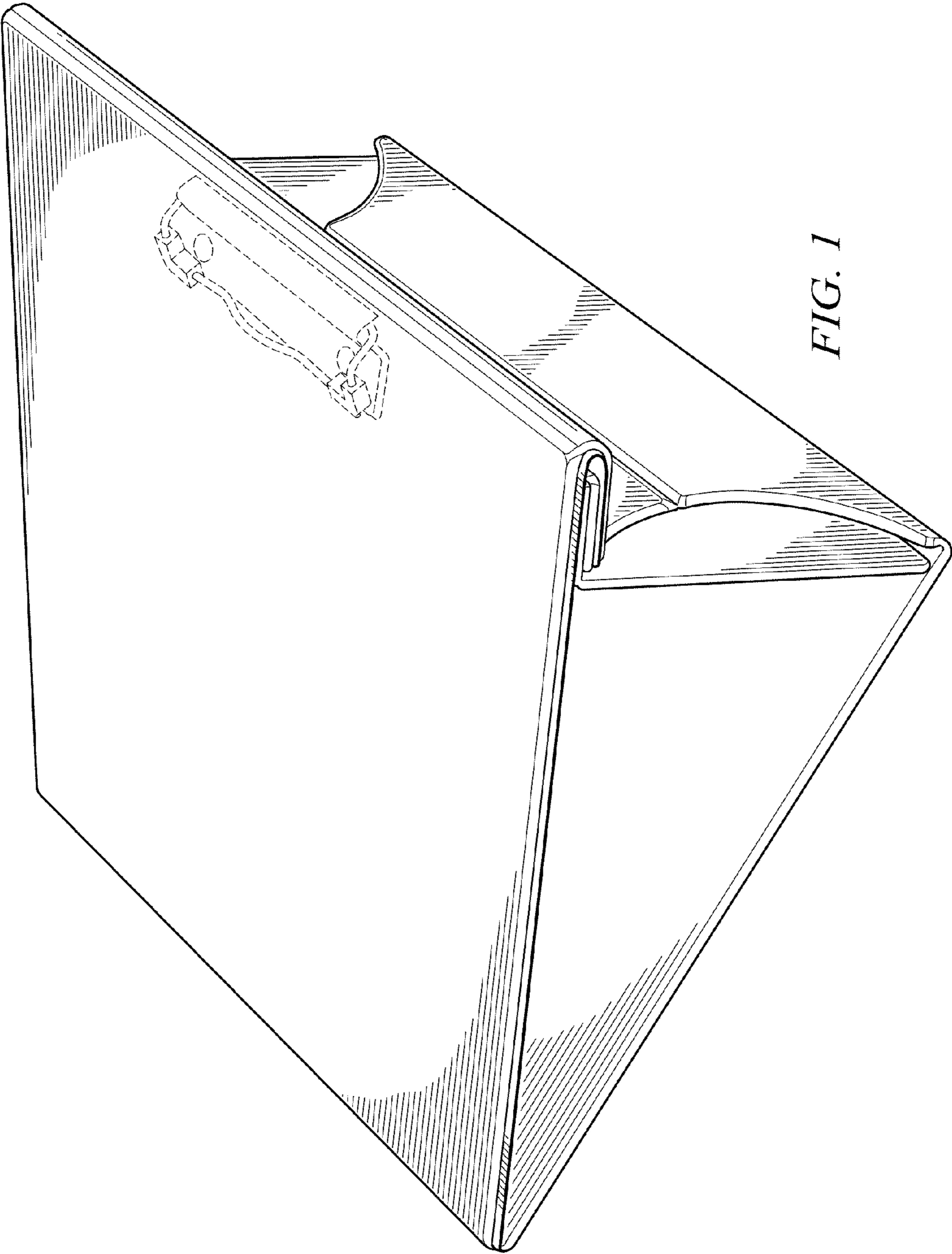


FIG. 1

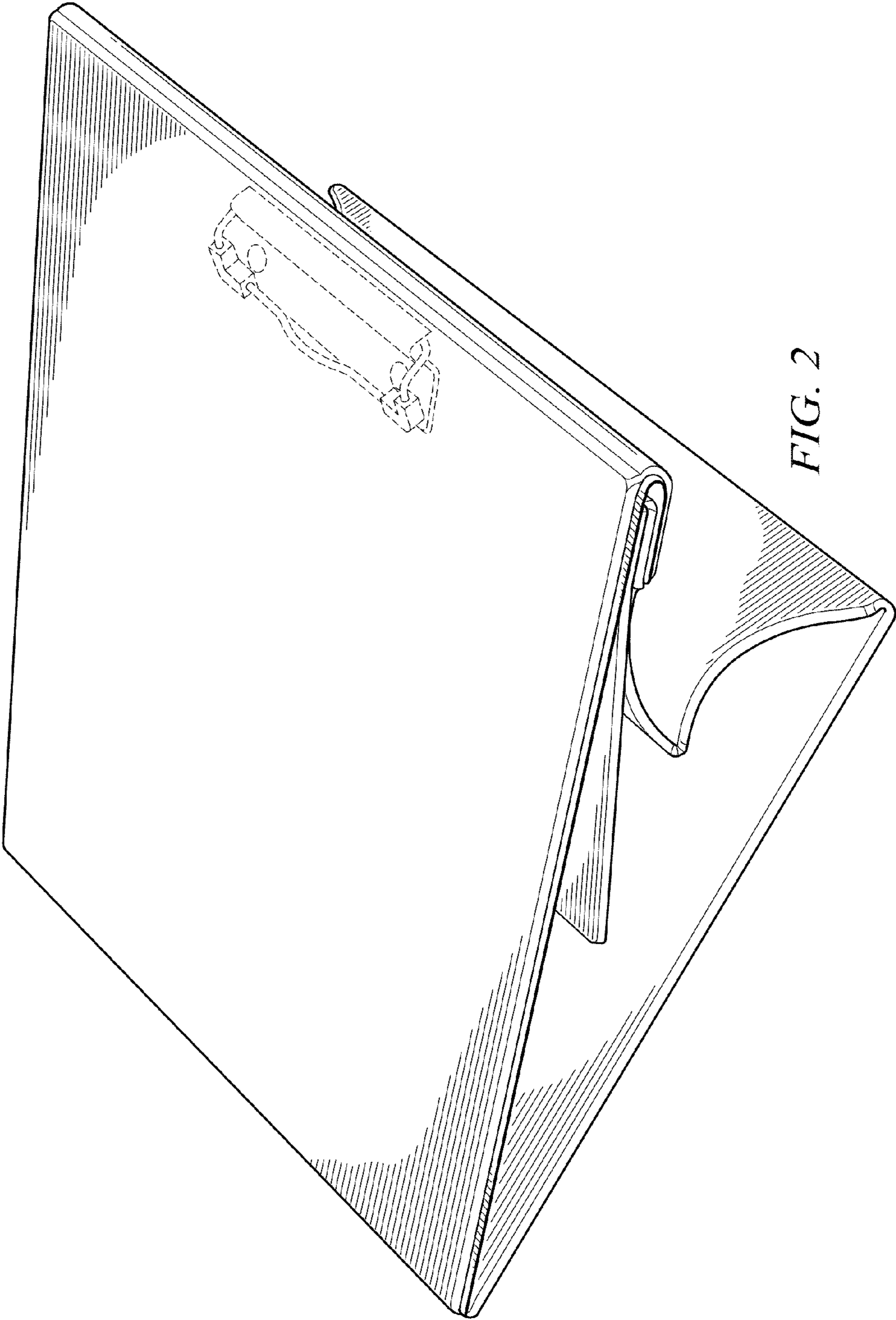


FIG. 2

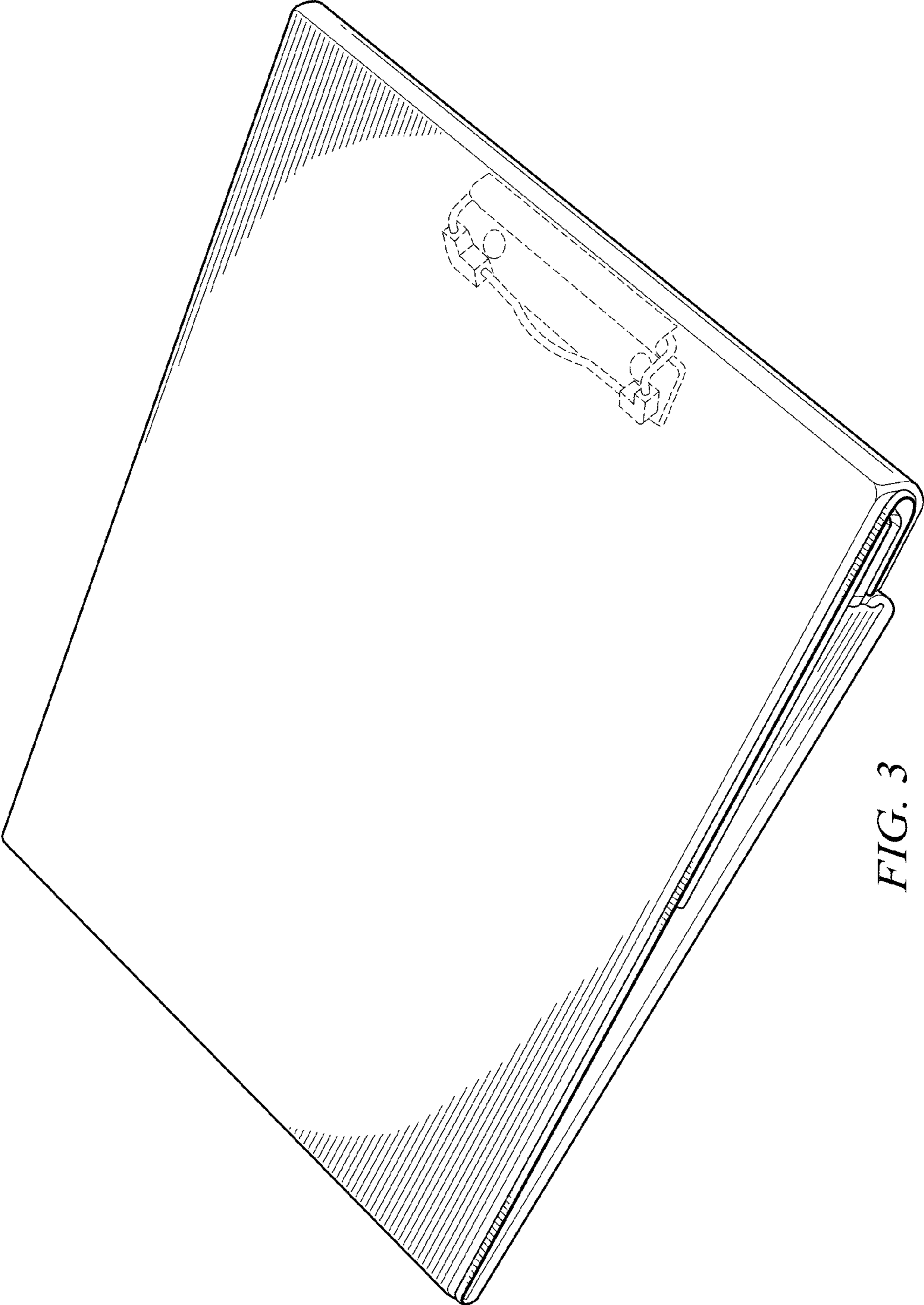


FIG. 3

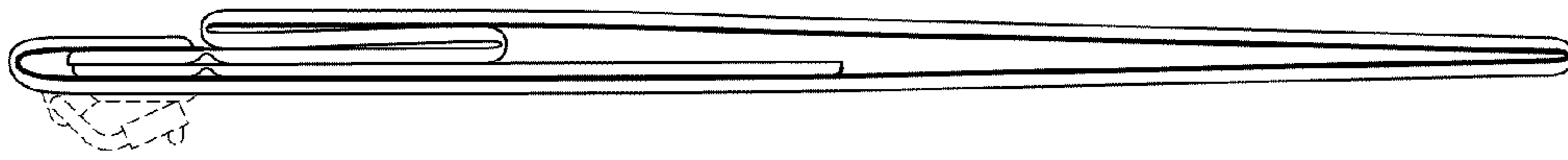


FIG. 5

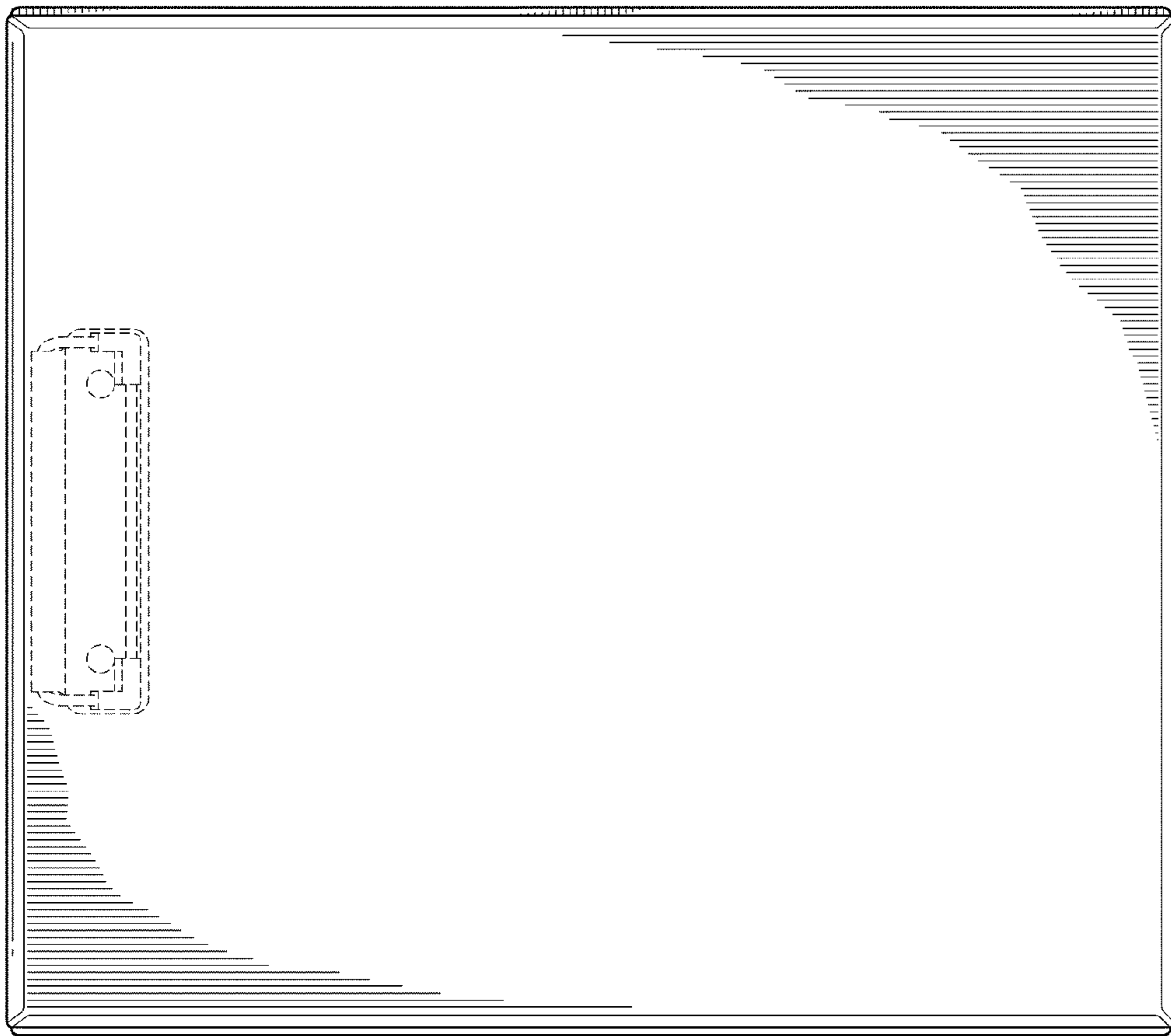


FIG. 4

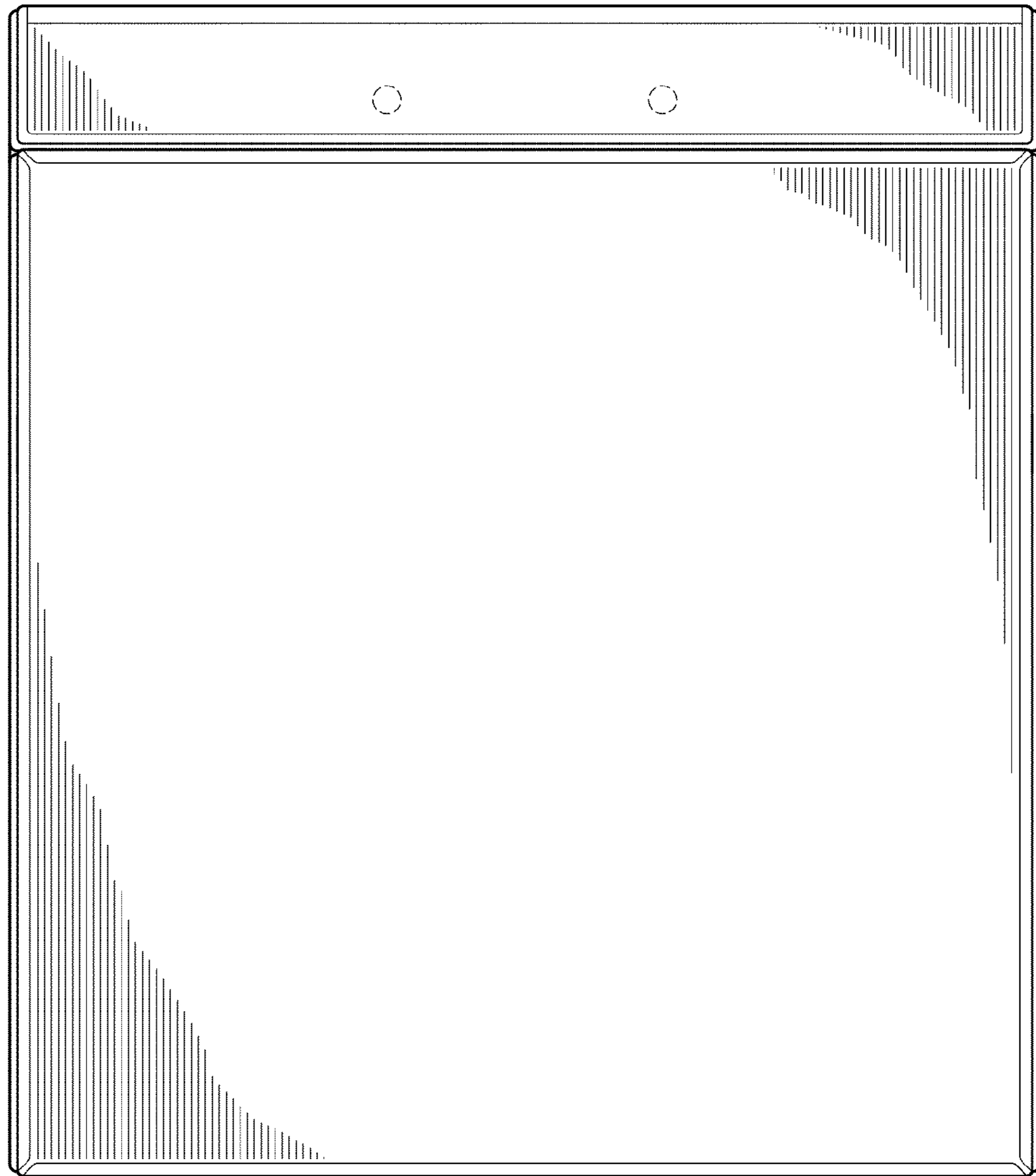


FIG. 6

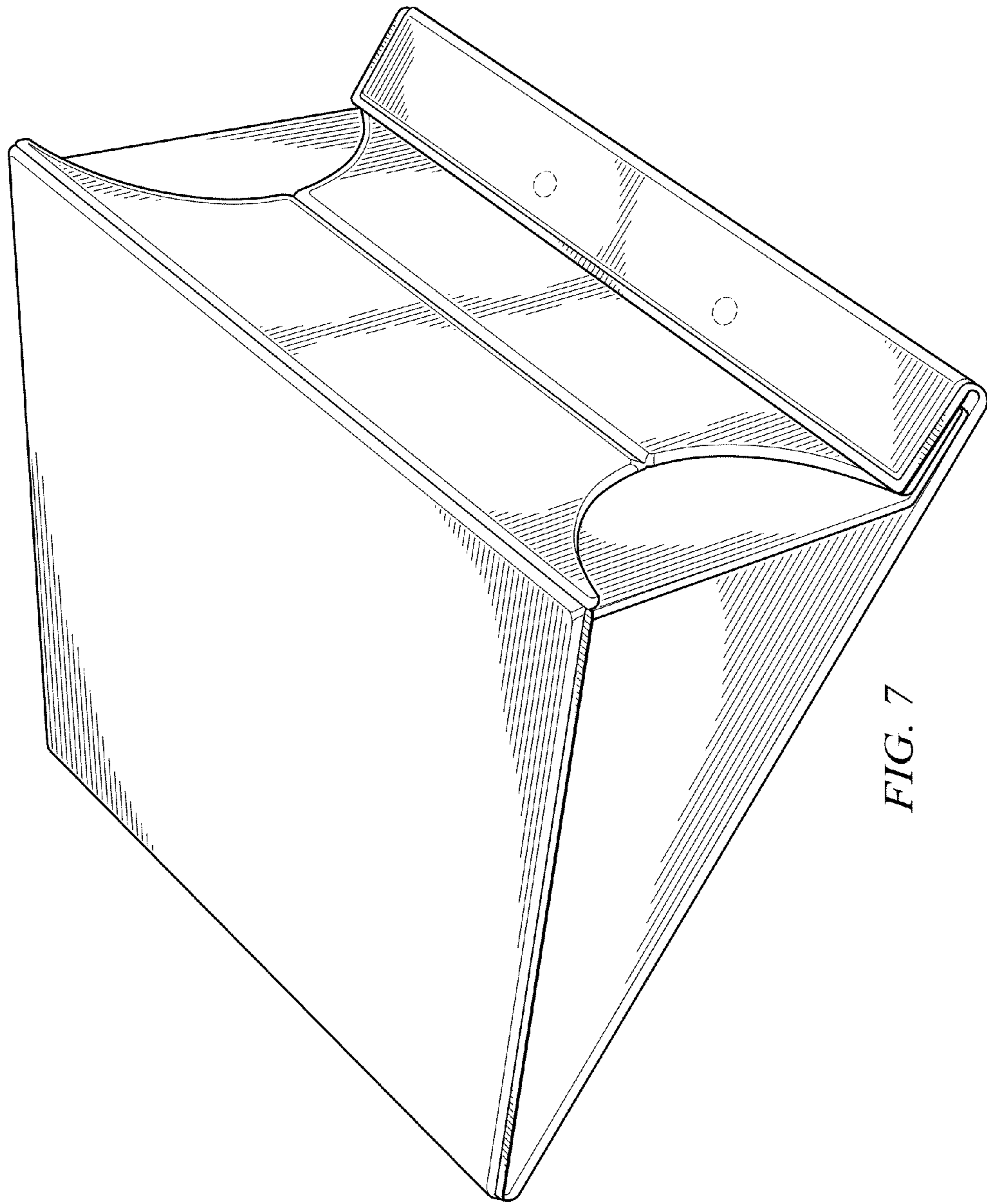


FIG. 7