



US00D641176S

(12) **United States Design Patent**  
**Bouthillier**

(10) **Patent No.:** **US D641,176 S**

(45) **Date of Patent:** **\*\* Jul. 12, 2011**

(54) **MIRRORED CABINET**

(75) Inventor: **Serge Bouthillier**, Ste-Marthe-sur-le-Lac (CA)

(73) Assignee: **Groupe VFG Inc.**, Bois-Des-Filion, Québec (CA)

(\*\*) Term: **14 Years**

(21) Appl. No.: **29/362,110**

(22) Filed: **May 20, 2010**

(51) **LOC (9) Cl.** ..... **06-07**

(52) **U.S. Cl.** ..... **D6/309**

(58) **Field of Classification Search** ..... D6/309,  
D6/444, 406.6, 396, 397, 399; 4/553, 619,  
4/621; D23/284, 285, 270, 271, 272, 286;  
312/225, 228, 204, 257  
See application file for complete search history.

(56) **References Cited**

**U.S. PATENT DOCUMENTS**

D36,562 S *	9/1903	Collins	.....	D6/309
D36,563 S *	9/1903	Collins	.....	D6/309
D36,691 S *	12/1903	Collins	.....	D6/309
D37,860 S *	2/1906	Collins	.....	D6/309
D37,861 S *	2/1906	Collins	.....	D6/309
D116,579 S *	9/1939	Smith	.....	D6/444
D156,509 S *	12/1949	Hollowell	.....	D7/307
D318,579 S *	7/1991	Palmer	.....	D6/406.6
D346,915 S *	5/1994	Roser, Jr.	.....	D6/444
D354,120 S *	1/1995	Pajetta	.....	D23/286

D362,052 S \* 9/1995 Pajetta ..... D23/286  
D522,762 S \* 6/2006 Hutton ..... D6/309

\* cited by examiner

*Primary Examiner* — Phillip S Hyder  
*Assistant Examiner* — Sydney Buffalow

(74) *Attorney, Agent, or Firm* — Norton Rose Or LLP

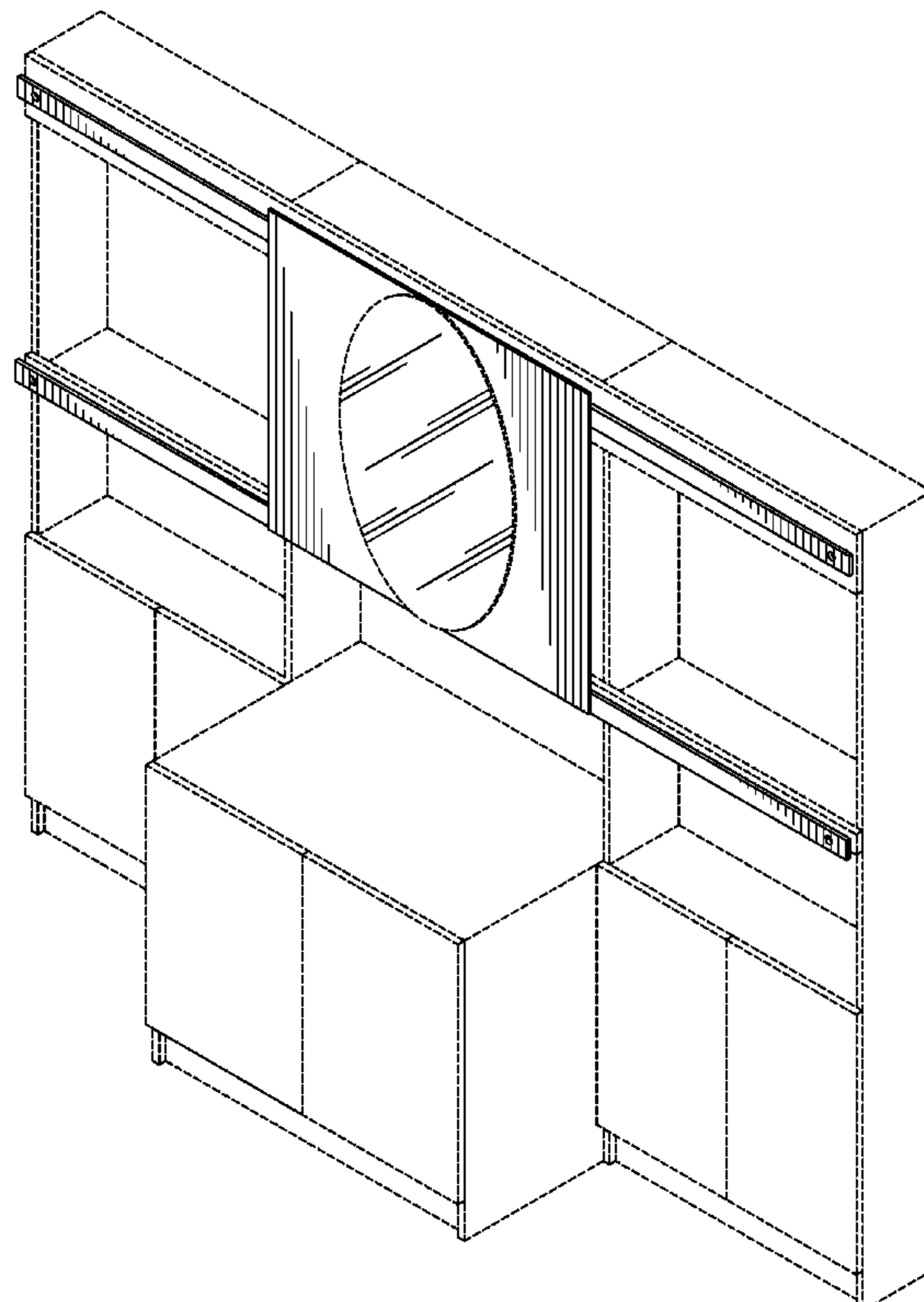
(57) **CLAIM**

The ornamental design for a mirrored cabinet, as shown and described.

**DESCRIPTION**

FIG. 1 is a perspective view of a mirrored cabinet in accordance with the present design, with mirrored doors closed; FIG. 2 is a front elevation view of the mirrored cabinet of FIG. 1; FIG. 3 is a top plan view of the mirrored cabinet of FIG. 1; FIG. 4 is a bottom plan view of the mirrored cabinet of FIG. 1; FIG. 5 is a right-side elevation view of the mirrored cabinet of FIG. 1; FIG. 6 is a left-side elevation view of the mirrored cabinet of FIG. 1; FIG. 7 is a rear elevation view of the mirrored cabinet of FIG. 1; and, FIG. 8 is a perspective view of the mirrored cabinet of FIG. 1, with the mirrored doors opened. The broken lines in some figures are for illustrative purposes only and form no part of the claimed design.

**1 Claim, 6 Drawing Sheets**



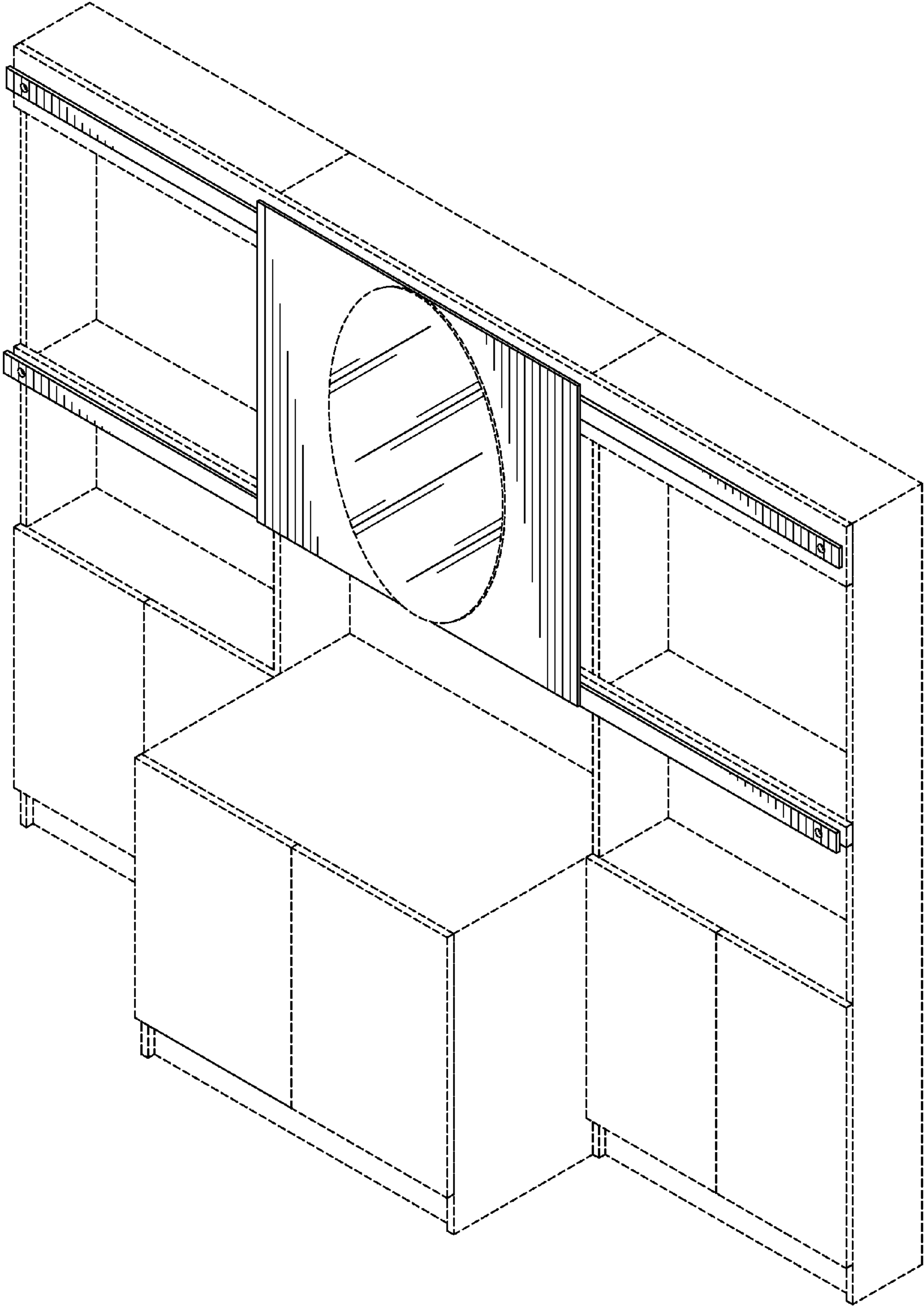
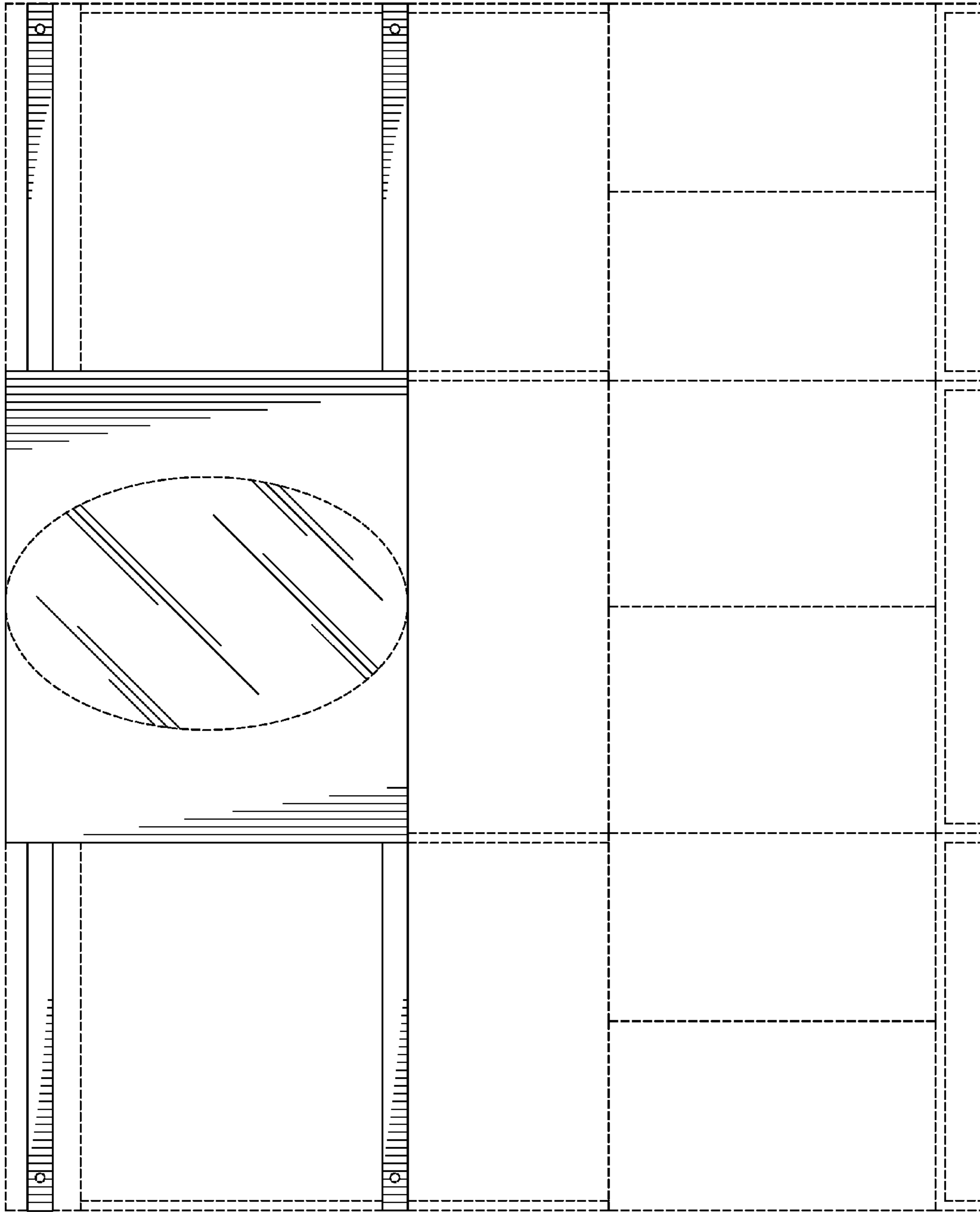


FIG-1

FIG. 2



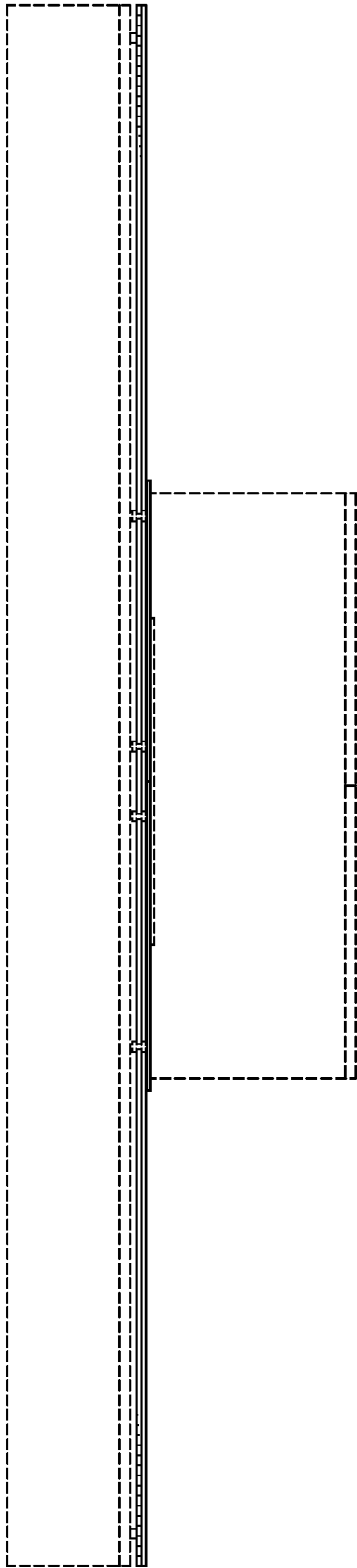


FIG. 3

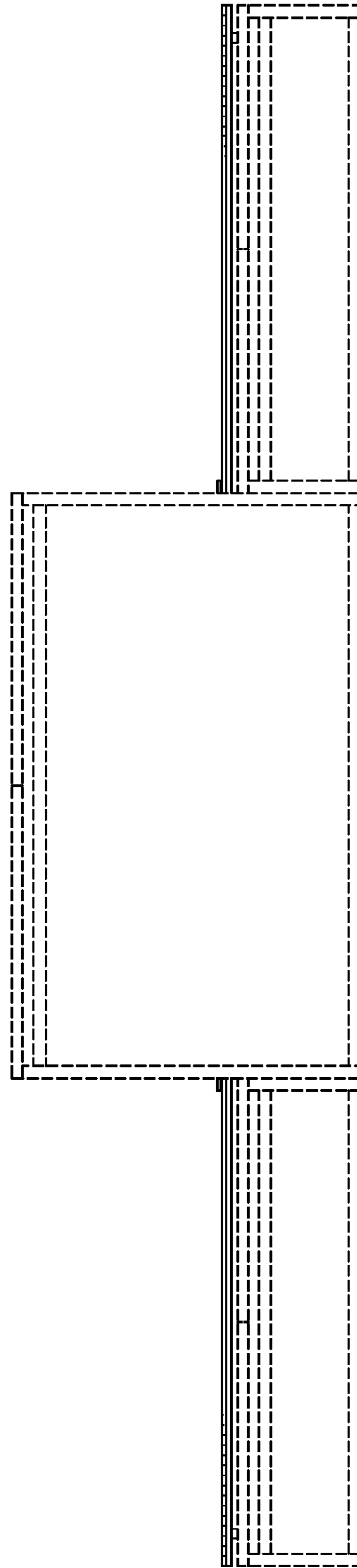
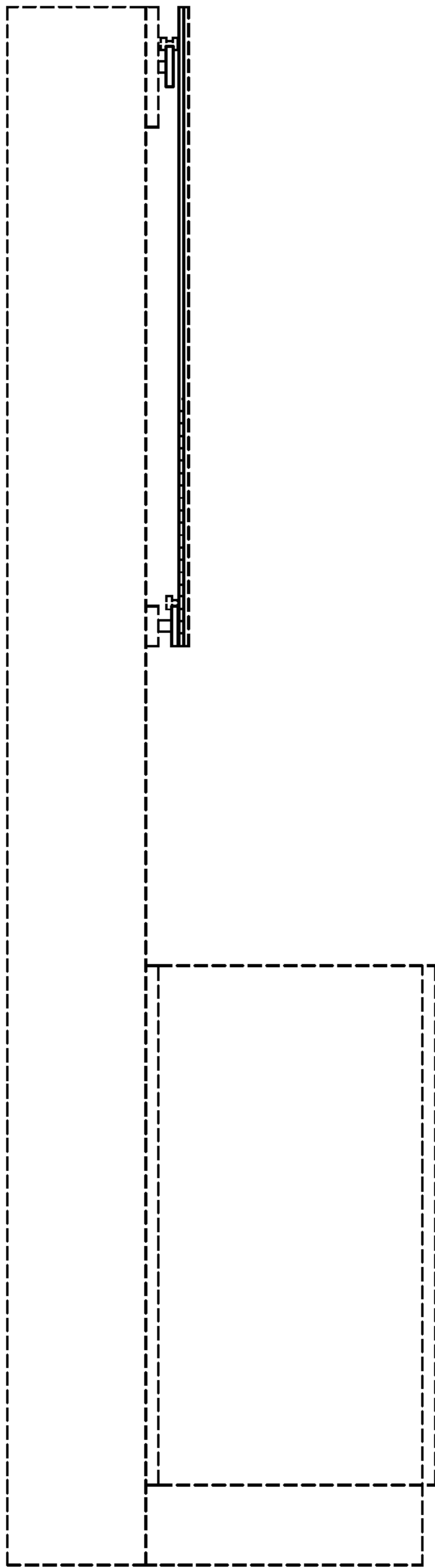
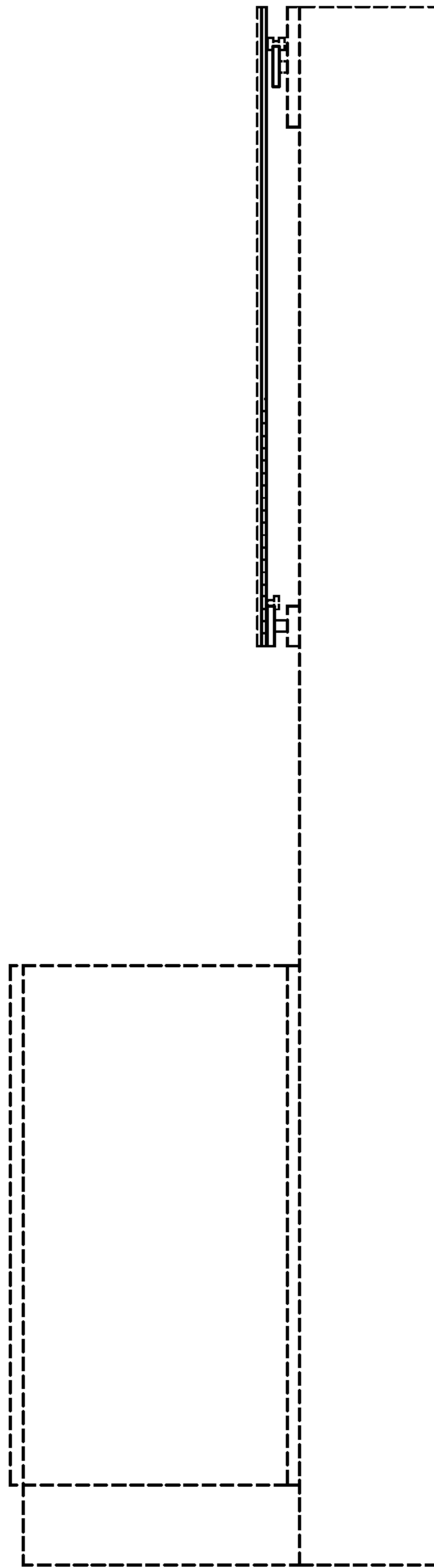


FIG. 4

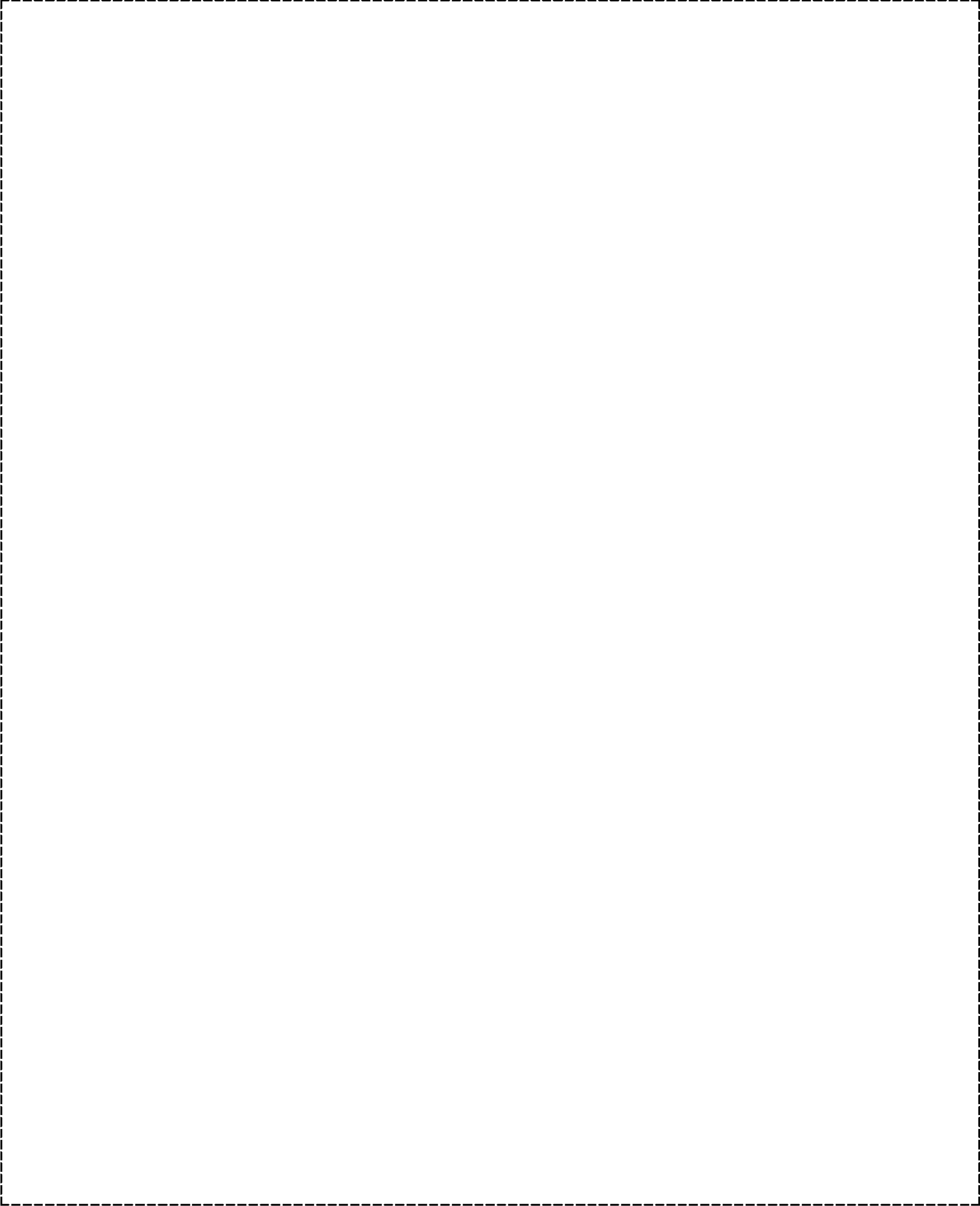


*Fig-5*



*Fig-6*

FIG. 7



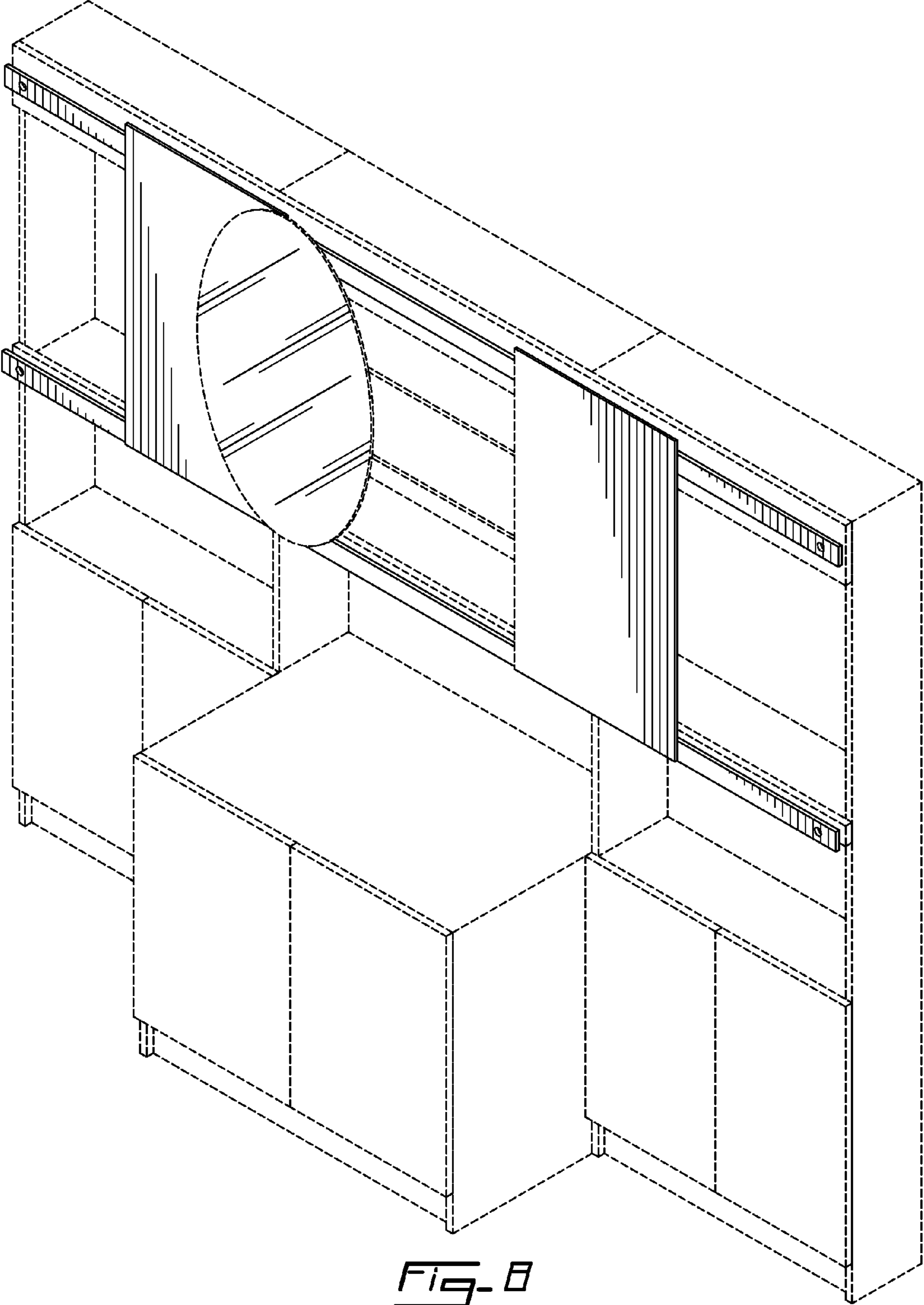


Fig. 8