



US00D641171S

(12) **United States Design Patent**  
**Mor et al.**

(10) **Patent No.:** **US D641,171 S**

(45) **Date of Patent:** **\*\* Jul. 12, 2011**

(54) **HAIR BRUSH**

(75) Inventors: **Alon Mor**, Greenwood Village, CO (US); **Rikki Mor**, Greenwood Village, CO (US)

(73) Assignee: **Beans Hair LLC**, Greenwood Village, CO (US)

(\*\*) Term: **14 Years**

(21) Appl. No.: **29/383,043**

(22) Filed: **Jan. 11, 2011**

(51) **LOC (9) Cl.** ..... **04-99**

(52) **U.S. Cl.** ..... **D4/199; D4/130**

(58) **Field of Classification Search** ..... D4/130, D4/136, 138, 199; 15/143.1, 159.1, 160, 15/167.3, 171, 186-188; D24/200, 211, D24/214, 215; D28/63; 601/136, 137  
See application file for complete search history.

(56) **References Cited**

**U.S. PATENT DOCUMENTS**

804,680	A *	11/1905	Smith	.....	15/188
1,398,035	A *	11/1921	Morrison	.....	15/171
D62,634	S *	7/1923	Kriehn	.....	D4/130
D98,536	S *	2/1936	Maher	.....	D4/130
2,607,064	A	8/1952	Sullivan et al.		
2,889,567	A	6/1959	Solomon		
4,287,898	A	9/1981	Konesky		
D576,804	S *	9/2008	Pulfrey	.....	D4/130
2010/0101594	A1	4/2010	Pulfrey		

**FOREIGN PATENT DOCUMENTS**

WO WO 2008/117009 10/2008

**OTHER PUBLICATIONS**

EM 1177190-0003 Registered Design Application, (Tangle Teezer Ltd.) Nov. 25, 2009, [online], [retrieved on Feb. 27, 2011] Retrieved from the Community Design Database of the Office for Harmonization in the Internal Market using the Internet: <URL: http://oami.europa.eu>.\*

JP D1388016 Registered Design Application, (O. M. Yamamoto) May 24, 2010, [online], [retrieved on Feb. 27, 2011] Retrieved from the Design Database of the Questel Intellectual Property Portal using the Internet: <URL: http://www.orbit.com>.\*

\* cited by examiner

*Primary Examiner* — Melanie H Tung

*Assistant Examiner* — Lavone D Tabor

(74) *Attorney, Agent, or Firm* — Sheridan Ross P.C.

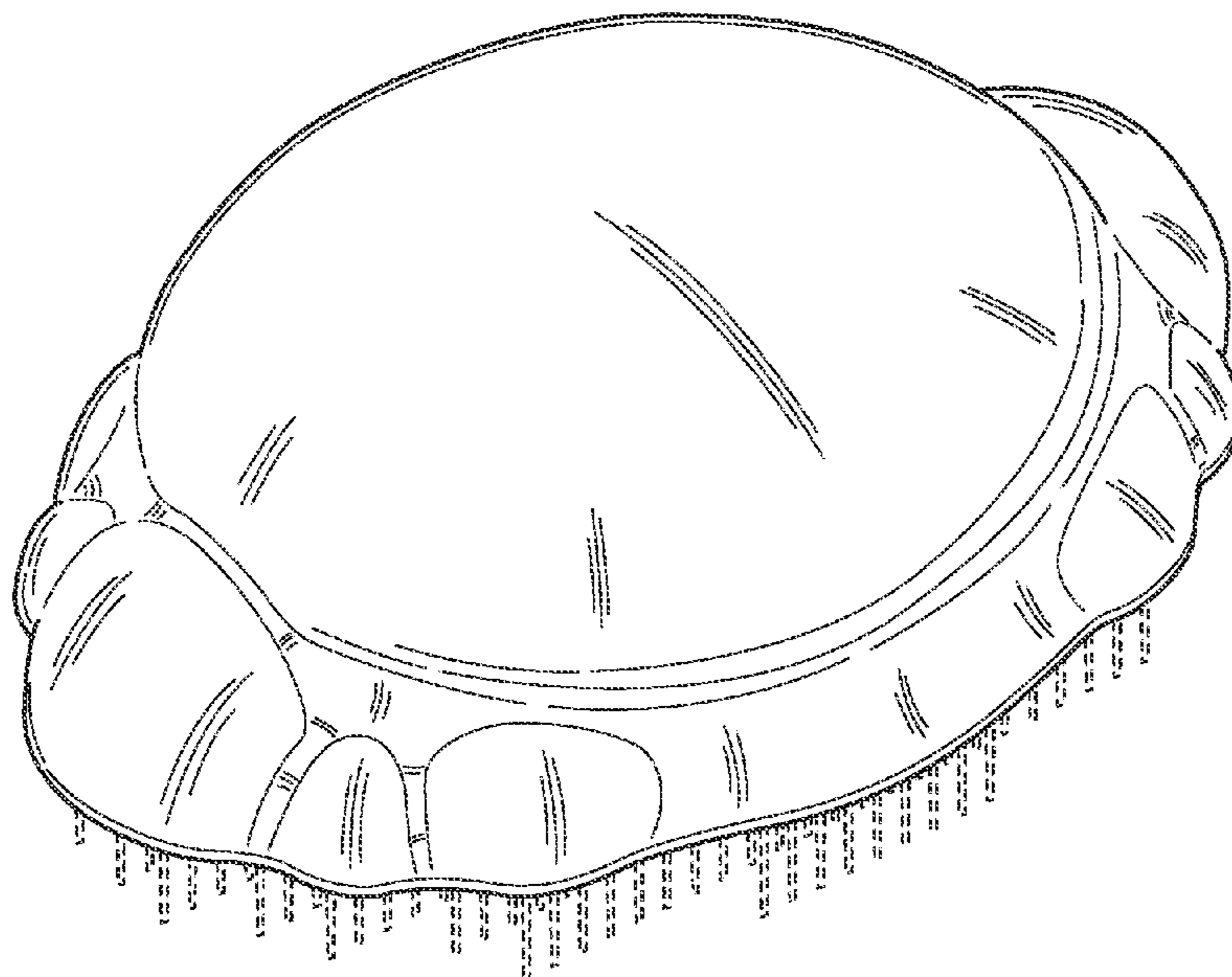
(57) **CLAIM**

The ornamental design for a hair brush, as shown and described.

**DESCRIPTION**

FIG. 1 is a front perspective view of a hair brush; FIG. 2 is a front elevation view thereof; FIG. 3 is a rear elevation view thereof; FIG. 4 is left elevation view thereof; FIG. 5 is a right elevation view thereof; FIG. 6 is a top plan view thereof; and, FIG. 7 is a bottom plan view thereof. The broken lines showing environment are for illustrative purposes only and form no part of the claimed design.

**1 Claim, 5 Drawing Sheets**



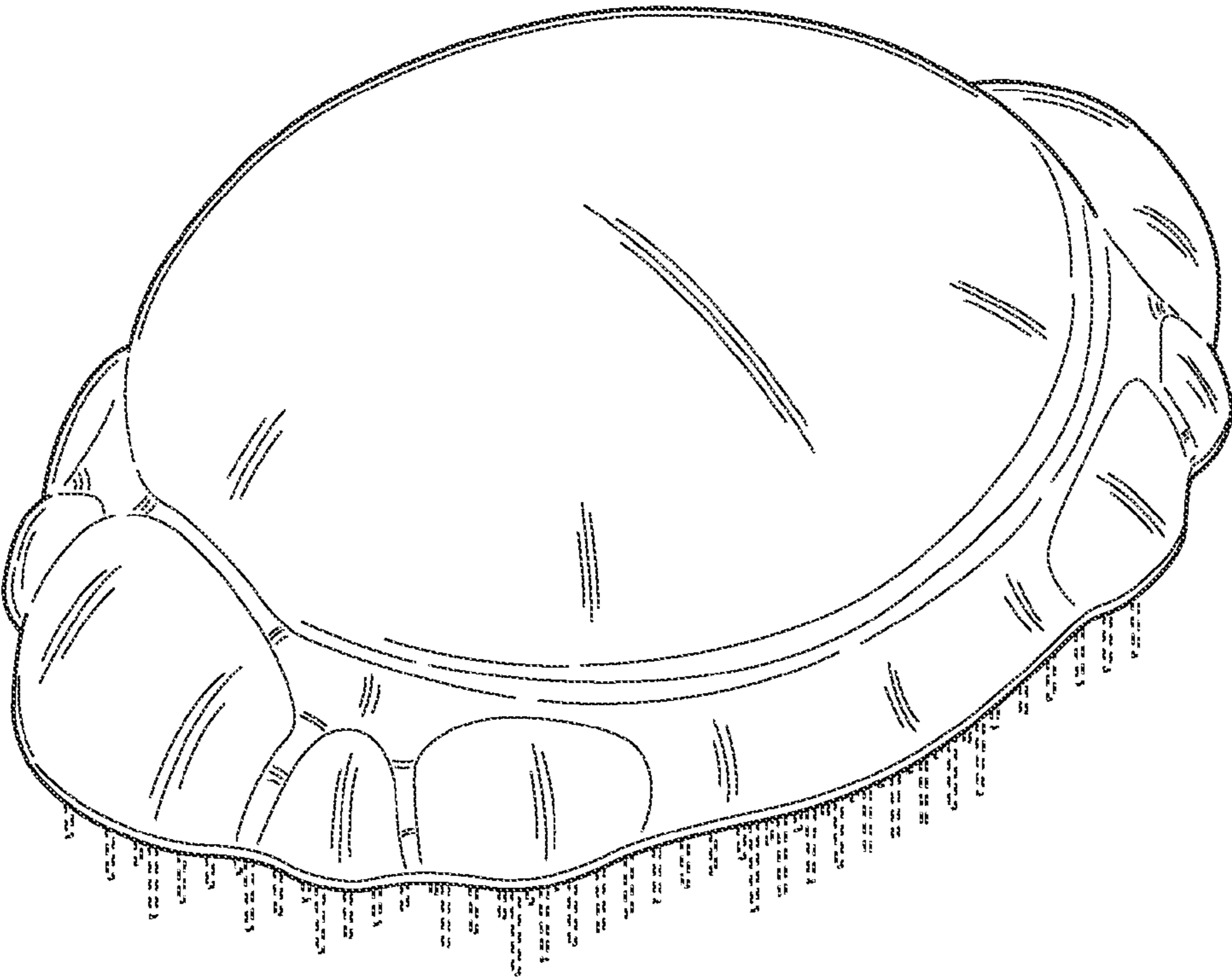


FIG. 1

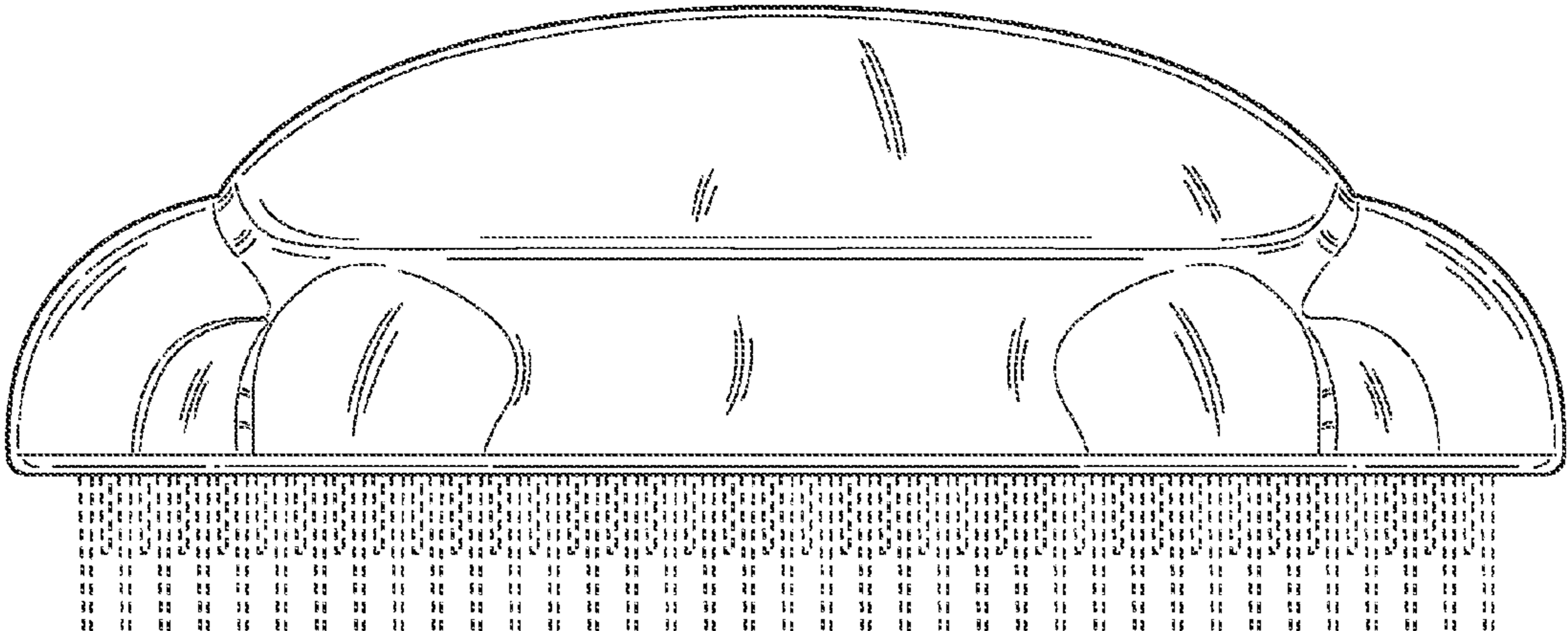


FIG. 2

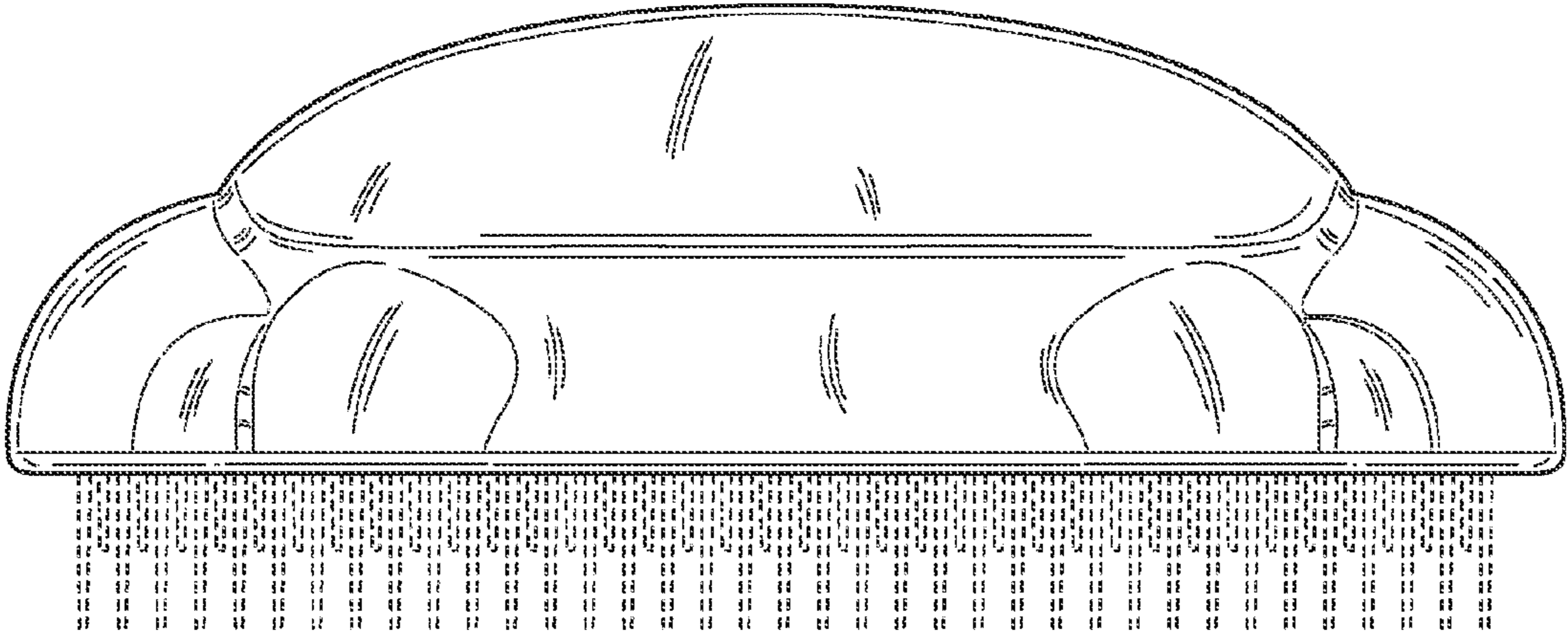


FIG. 3

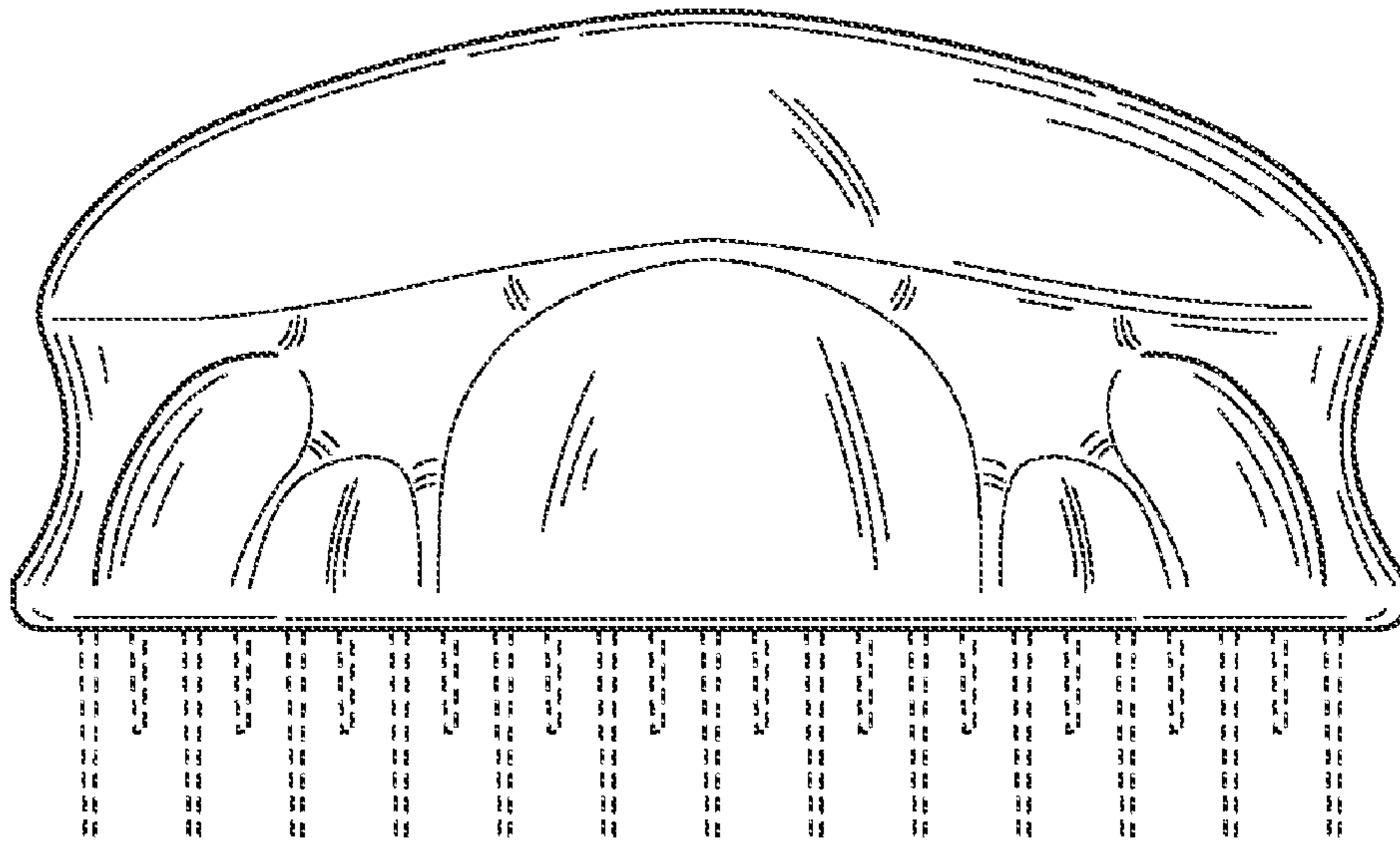


FIG. 4

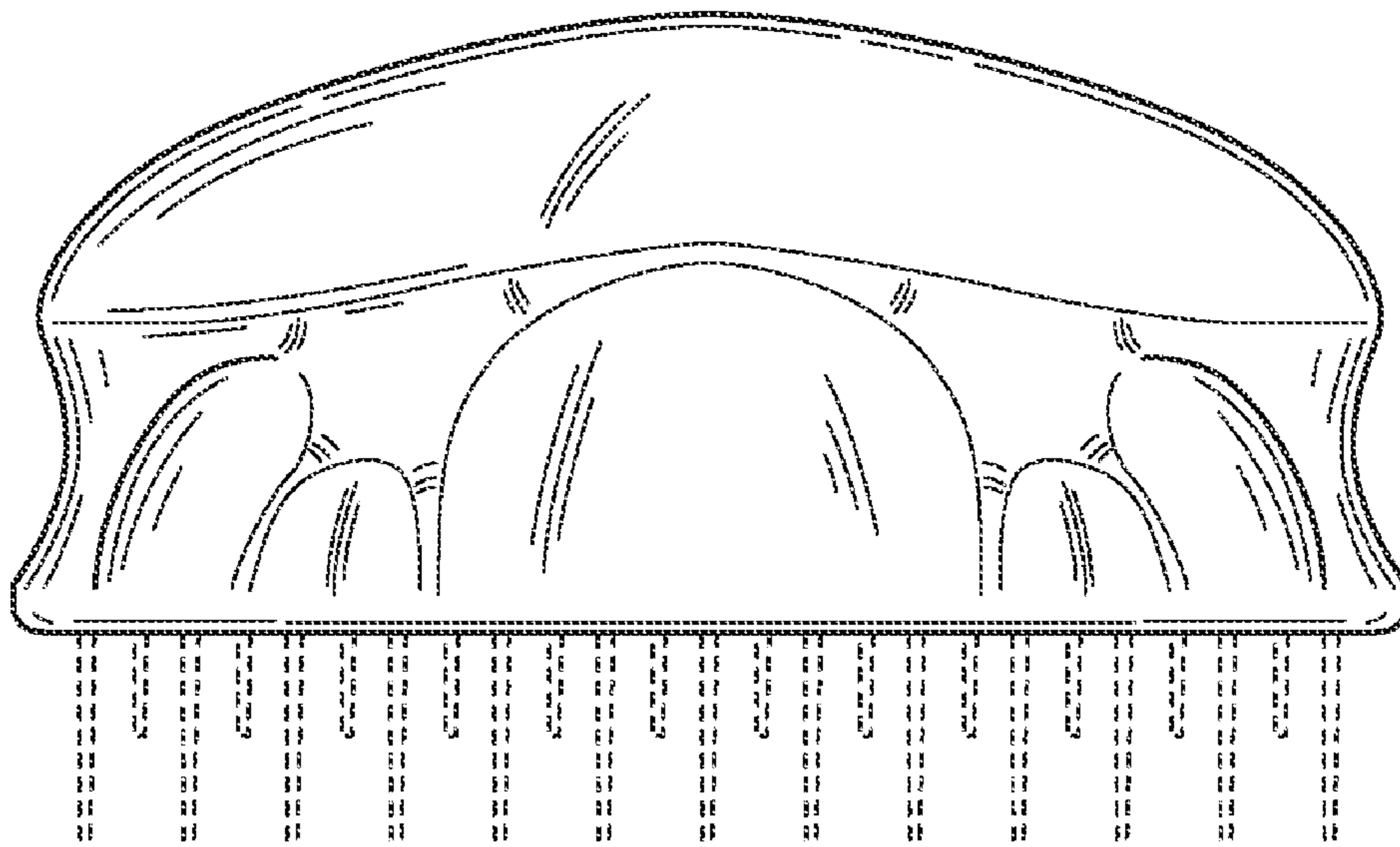


FIG. 5

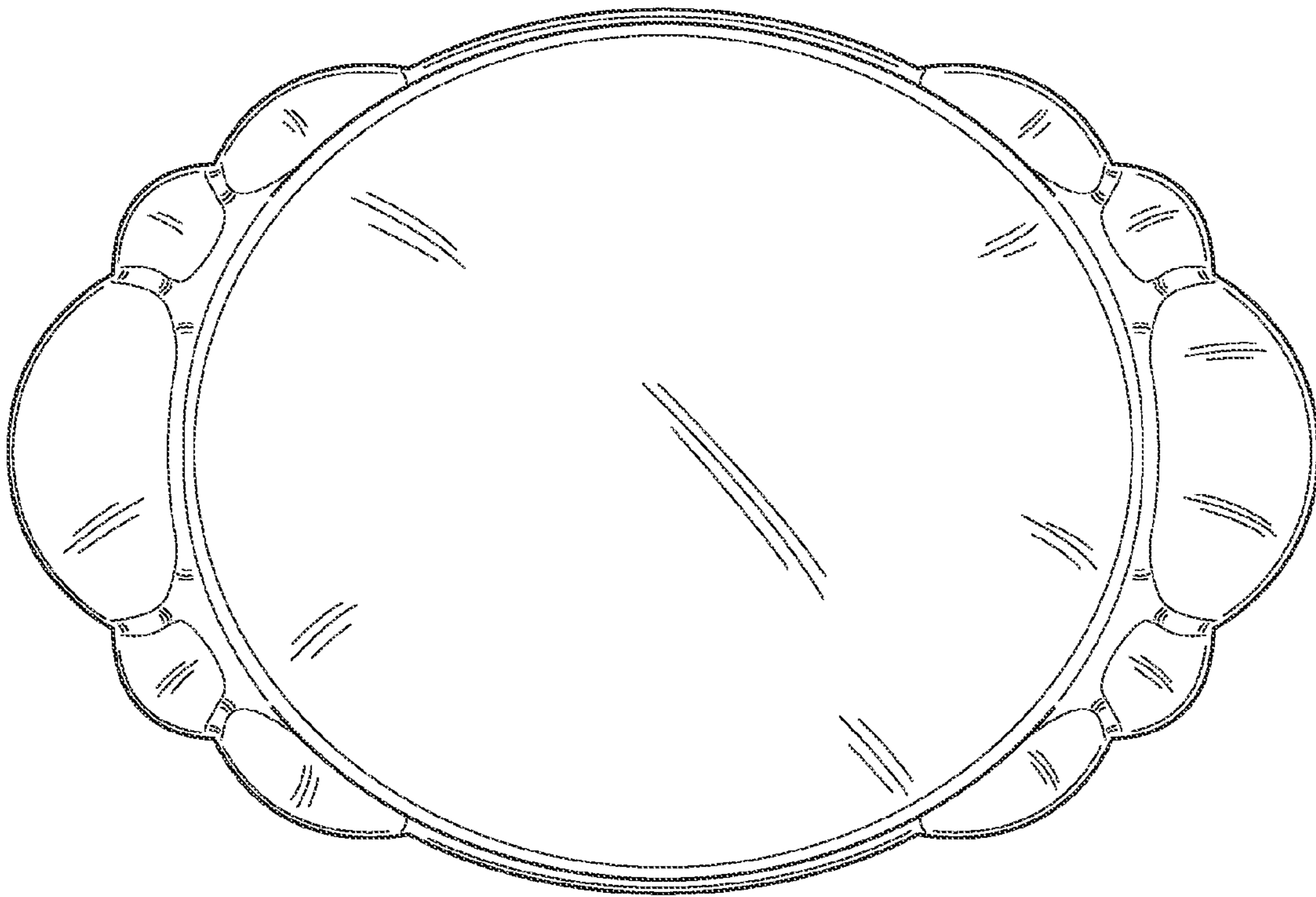


FIG.6

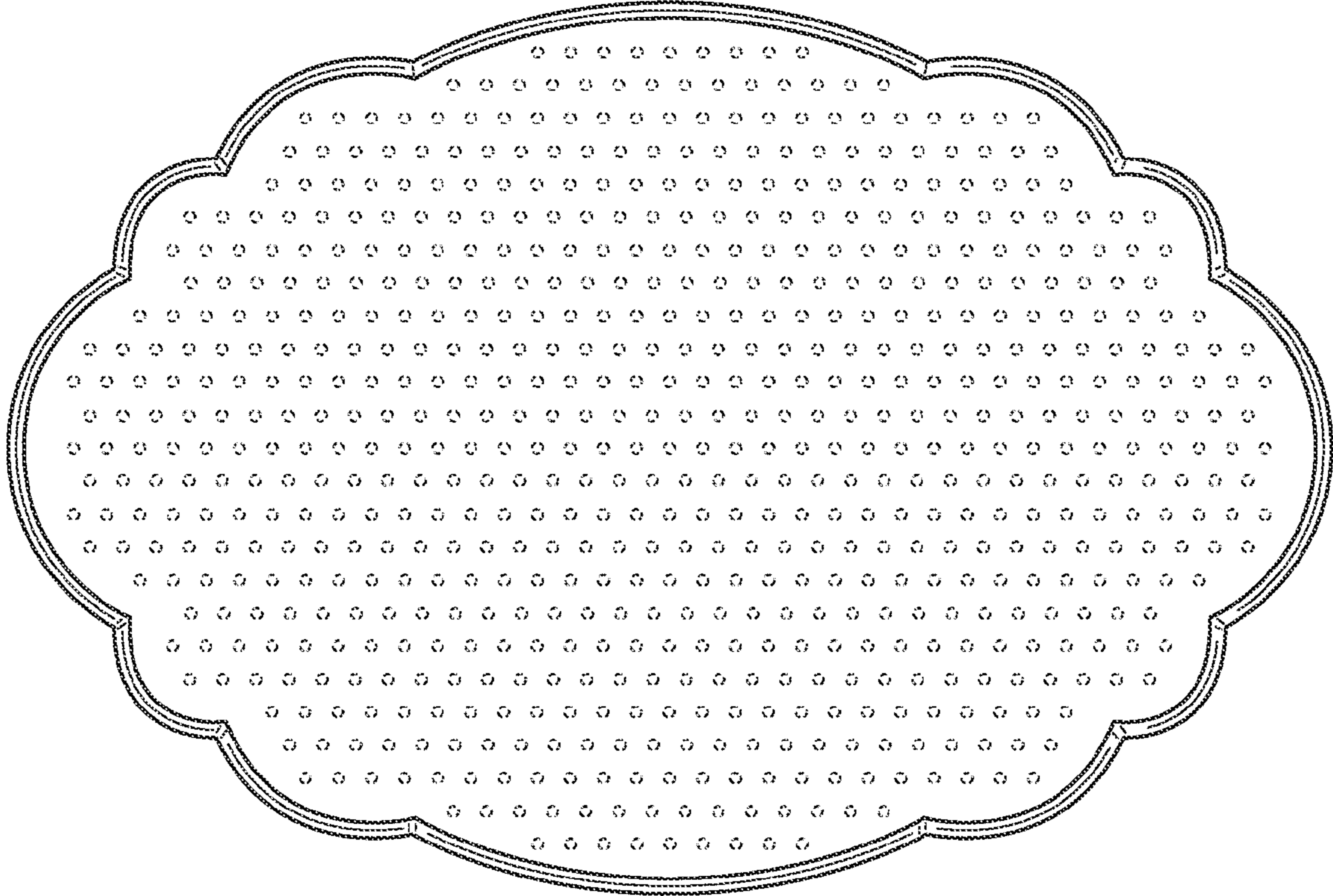


FIG.7