



US00D641169S

(12) **United States Design Patent**
Clary

(10) **Patent No.:** **US D641,169 S**
(45) **Date of Patent:** **** Jul. 12, 2011**

(54) **DOUBLE DOOR CRATE COVER**

(76) Inventor: **Stella Clary**, Mechanicsville, VA (US)

(**) Term: **14 Years**

(21) Appl. No.: **29/377,970**

(22) Filed: **Oct. 28, 2010**

(51) **LOC (9) Cl.** **03-01**

(52) **U.S. Cl.** **D3/318**

(58) **Field of Classification Search** D3/289,
D3/318, 272-273; D30/119; 220/812, 315
See application file for complete search history.

(56) **References Cited**

U.S. PATENT DOCUMENTS

1,737,411	A	*	11/1929	Deans	220/812
D333,783	S	*	3/1993	Perugini	D3/272
D496,530	S	*	9/2004	Wolf	D3/273
D532,561	S	*	11/2006	La Luzerne	D30/119
D539,138	S	*	3/2007	Mittelstaedt et al.	D3/294
D546,674	S	*	7/2007	Limber	D3/294
D598,194	S	*	8/2009	Turvey et al.	D3/289
D602,253	S	*	10/2009	Rees et al.	D3/289

* cited by examiner

Primary Examiner — Holly Baynham

(74) *Attorney, Agent, or Firm* — Bernard G. Pike, Esquire;
Troutman Sanders, LLP

(57) **CLAIM**

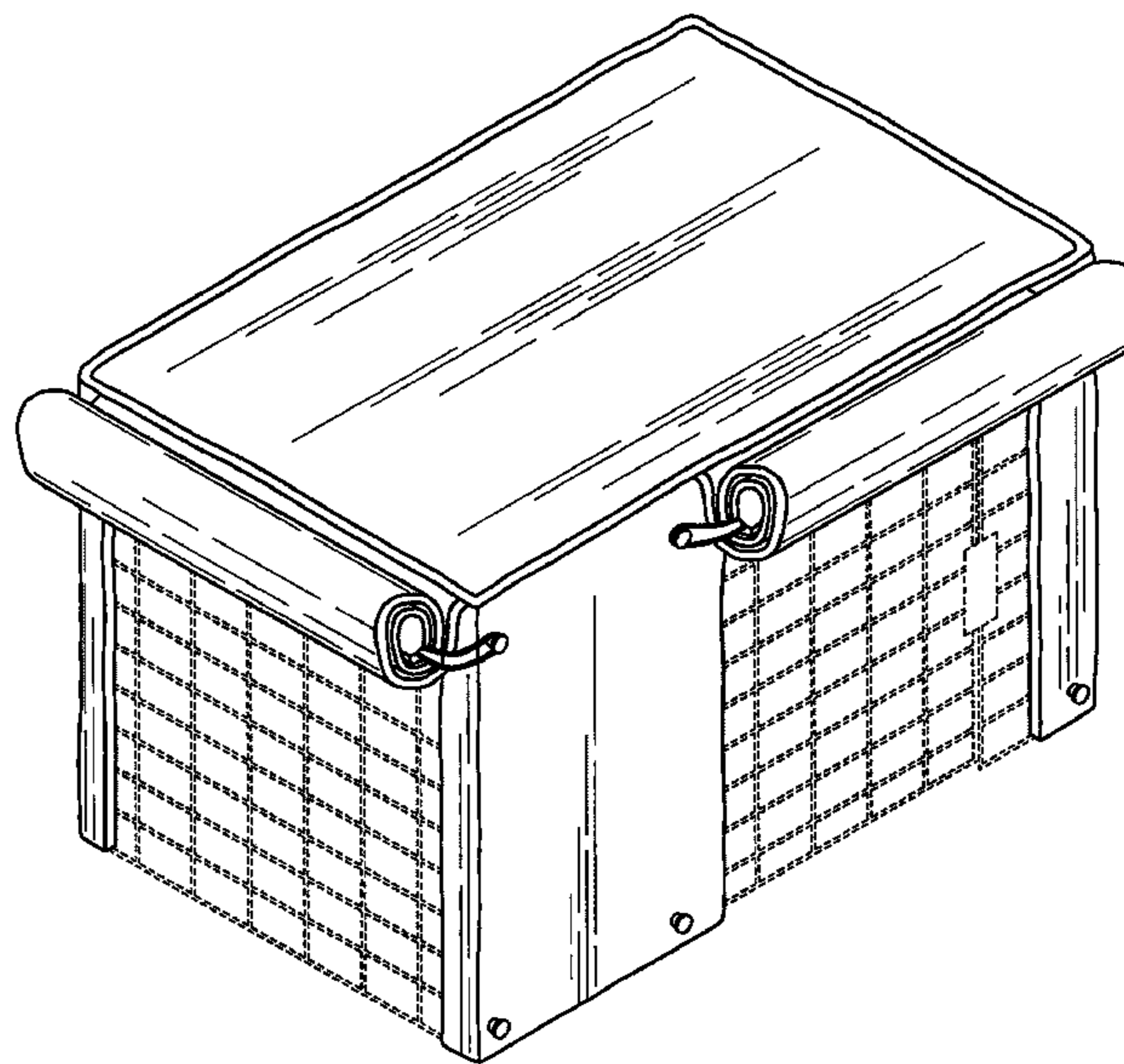
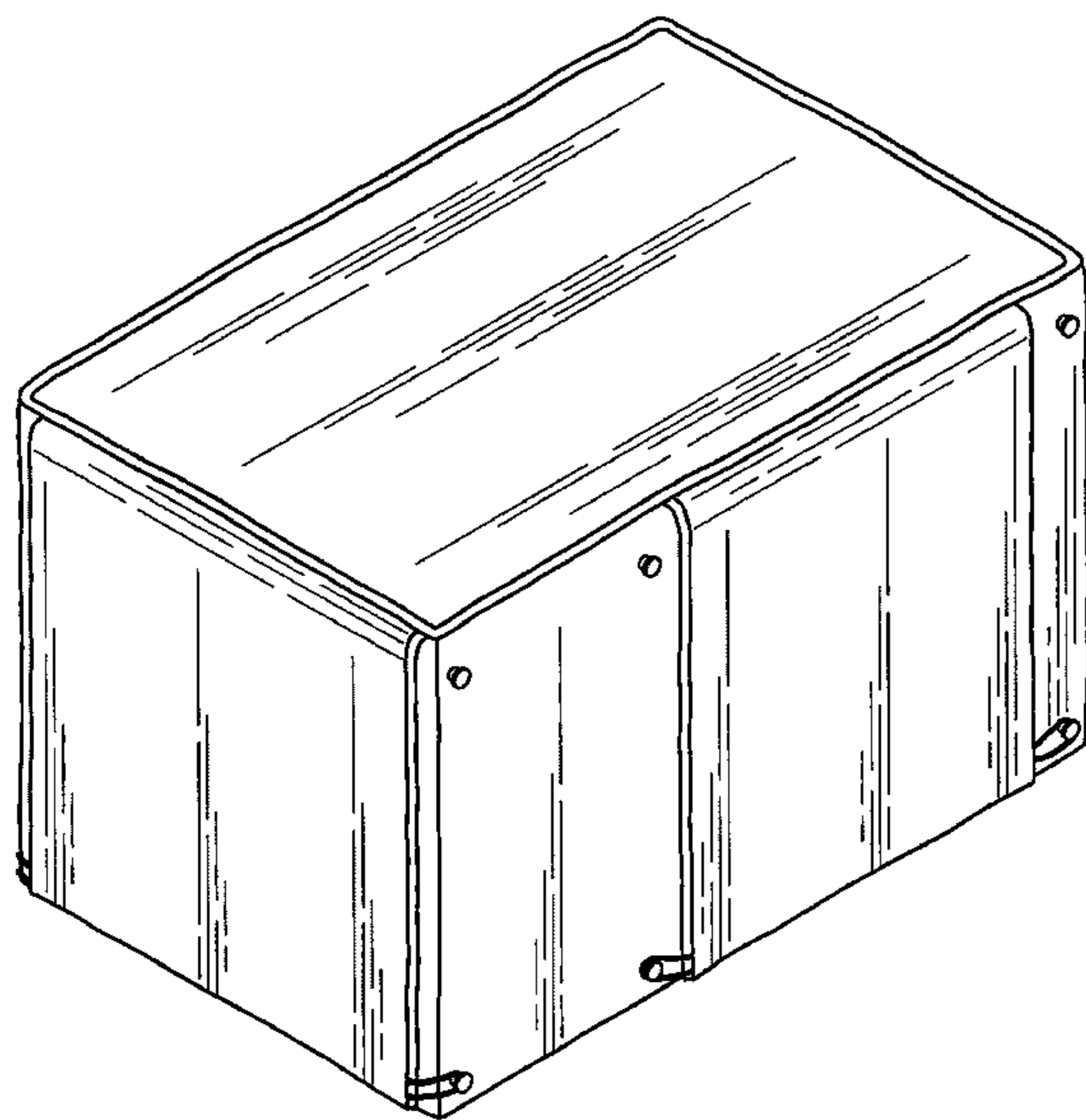
The ornamental design for a double door crate cover, as shown and described.

DESCRIPTION

FIG. 1 illustrates an angled, front perspective view of a double door crate cover in a closed position;
 FIG. 2 illustrates a top view of a double door crate cover;
 FIG. 3 illustrates a right side view of the panels of a double door crate cover in the closed position;
 FIG. 4 illustrates a rear view of a double door crate cover;
 FIG. 5 illustrates a front view of the panels of a double door crate cover in the closed position;
 FIG. 6 illustrates a left side view of the stationary panels of a double door crate cover;
 FIG. 7 illustrates a top view of a double door crate cover that shows the front and right side panels in the open position;
 FIG. 8 illustrates a top view of a double door crate cover that shows the front and right side panels in the open position;
 FIG. 9 illustrates a right side view of a double door crate cover that shows the front and right side panels in the open position;
 FIG. 10 illustrates a rear view of a double door crate cover that shows the rear stationary panel;
 FIG. 11 illustrates a front view of a double door crate cover that shows the front panel in the open position; and,
 FIG. 12 illustrates a left side view of a double door crate cover that shows the left stationary panel.

The broken, dashed lines shown in the various figures depicting embodiments of the invention are included for the purpose of illustrating environment and do not form any part of the claimed design.

1 Claim, 8 Drawing Sheets



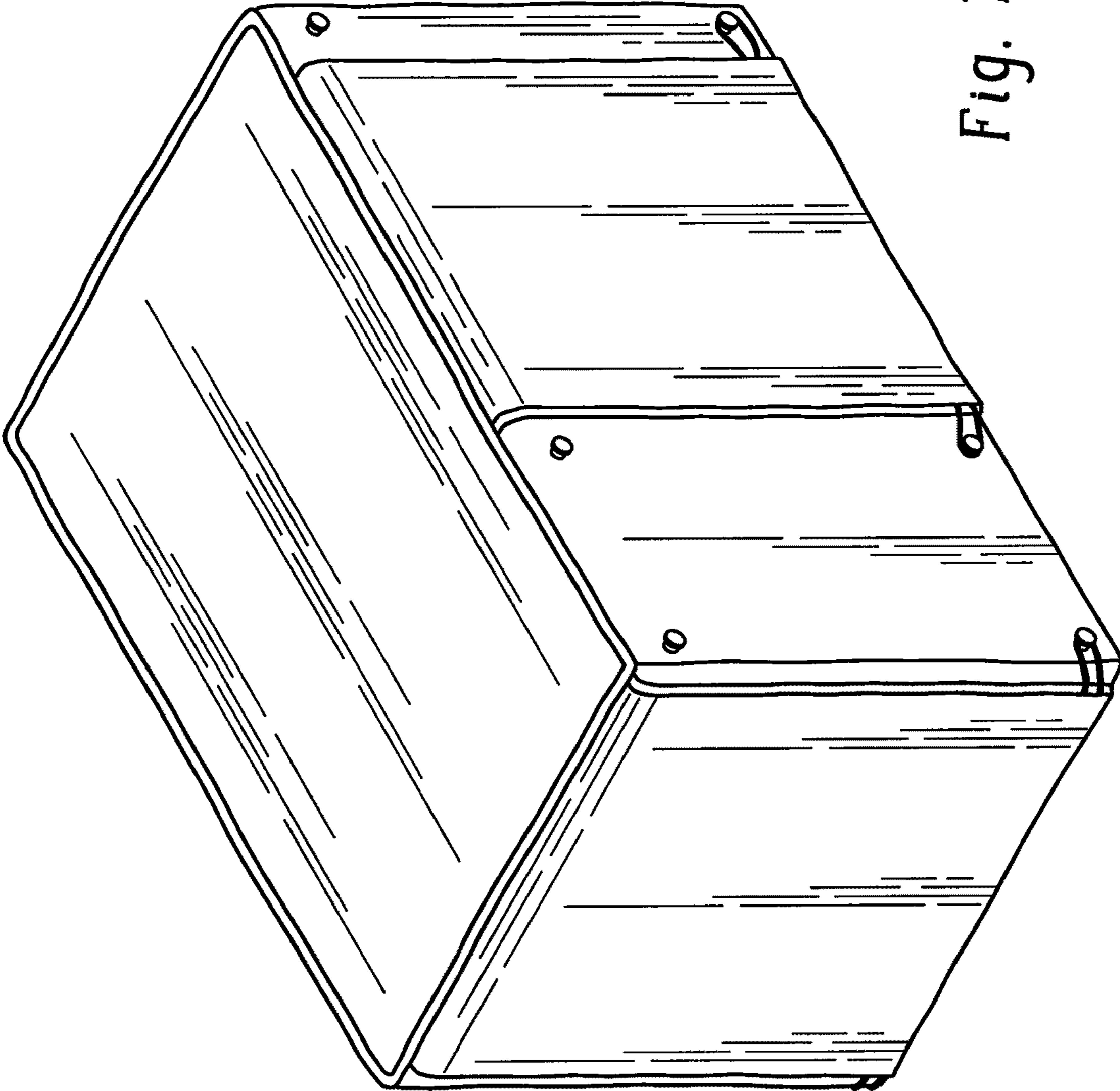


Fig. 1

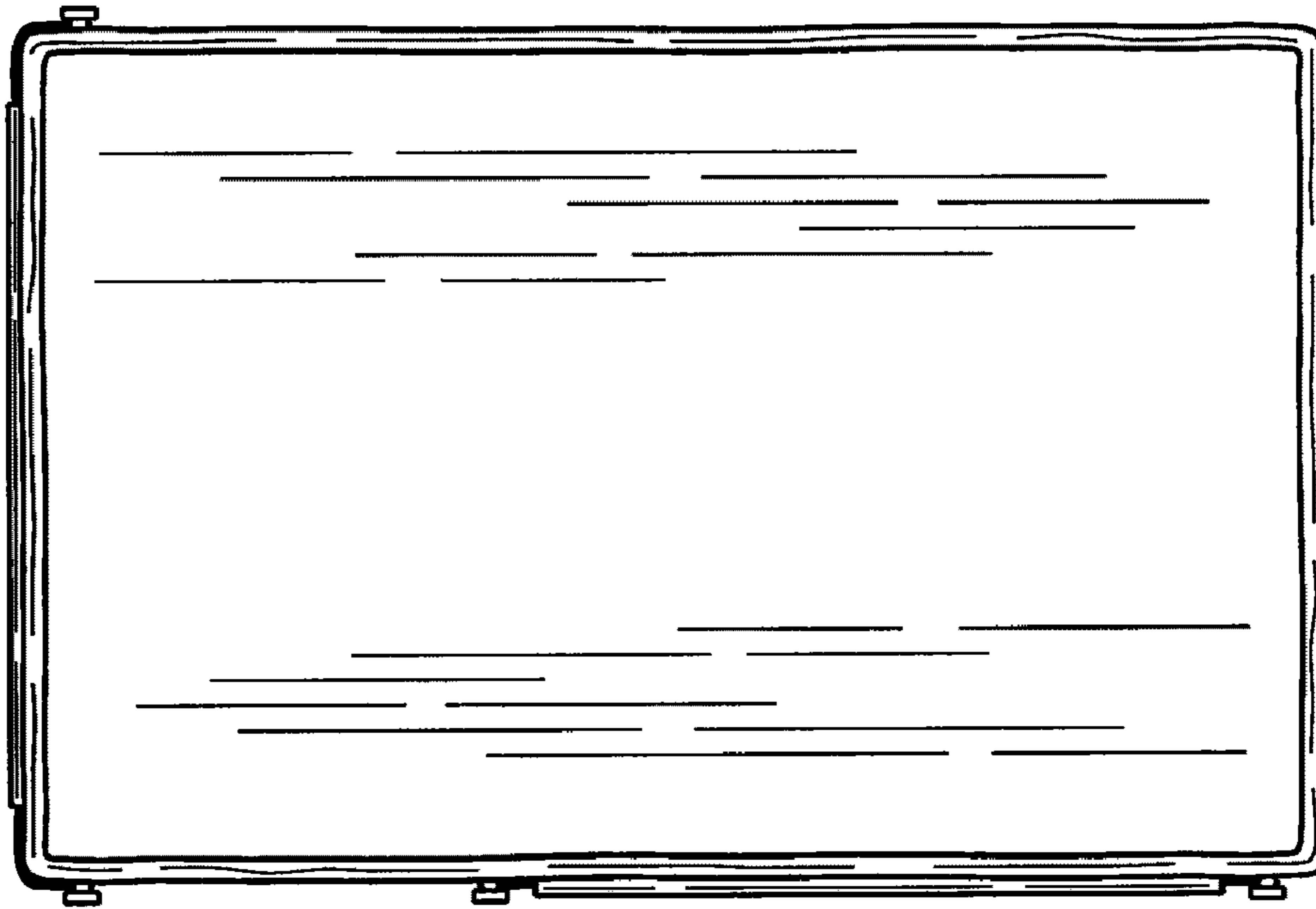


Fig. 2

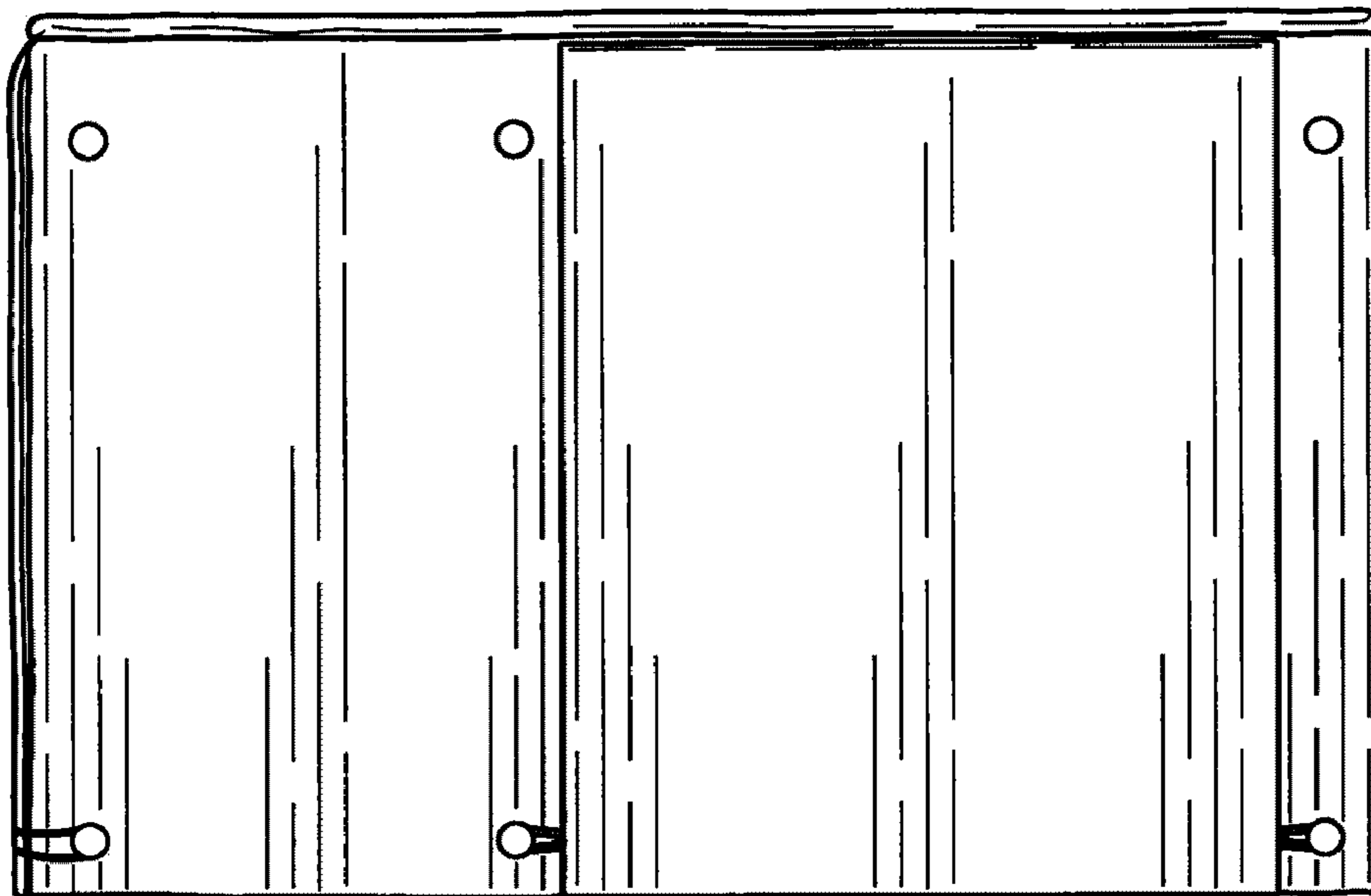


Fig. 3

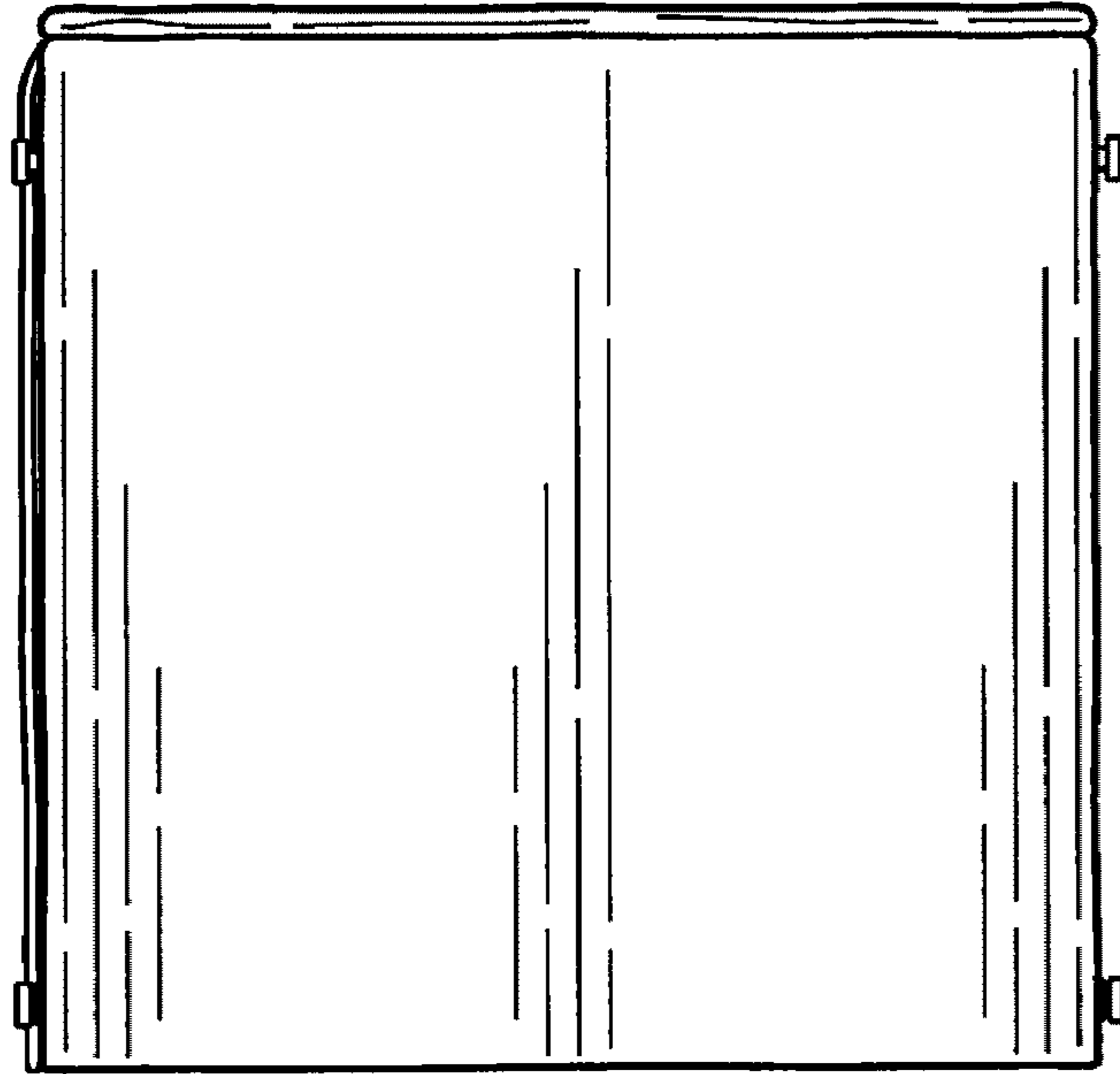


Fig. 4

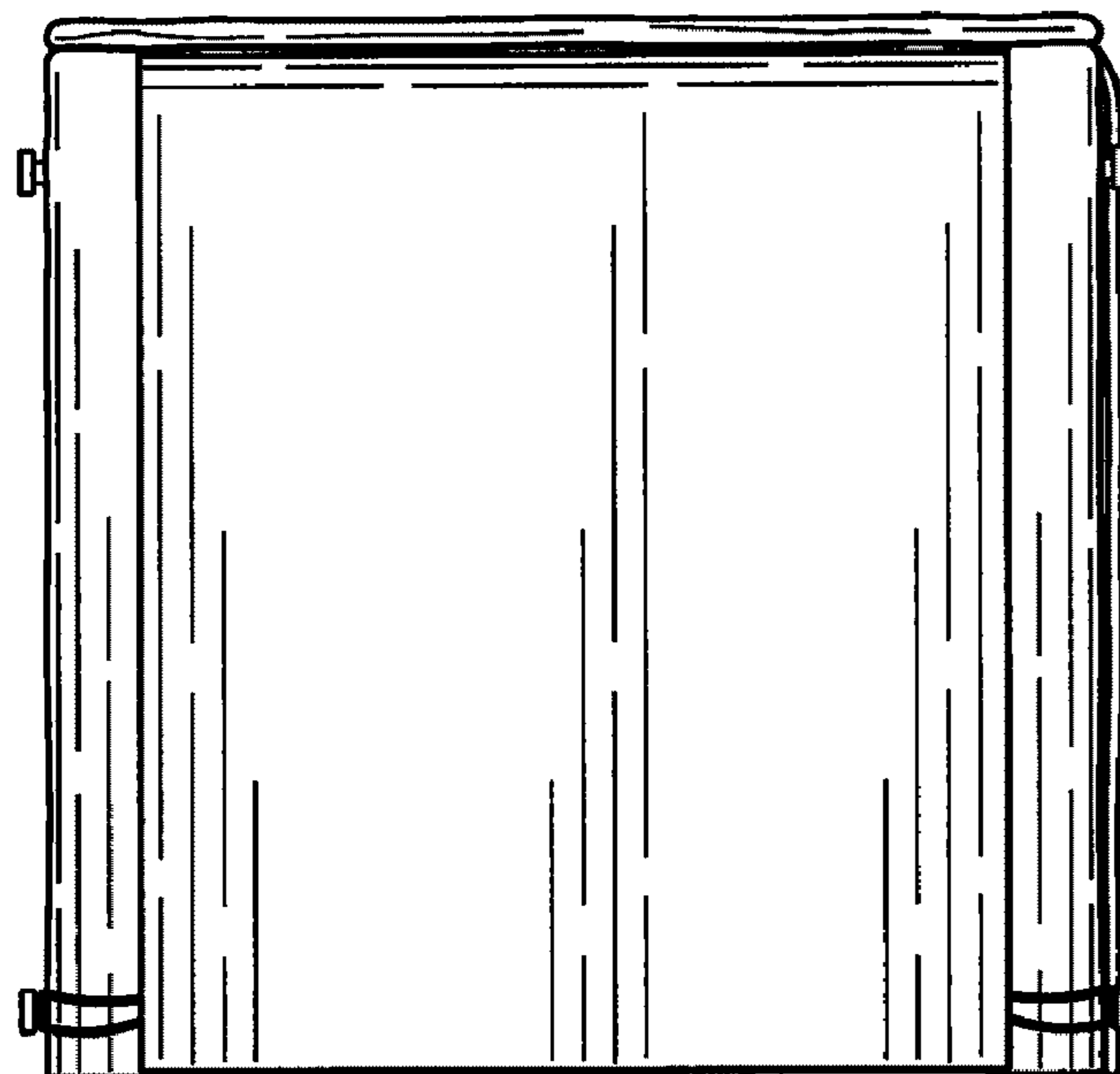


Fig. 5

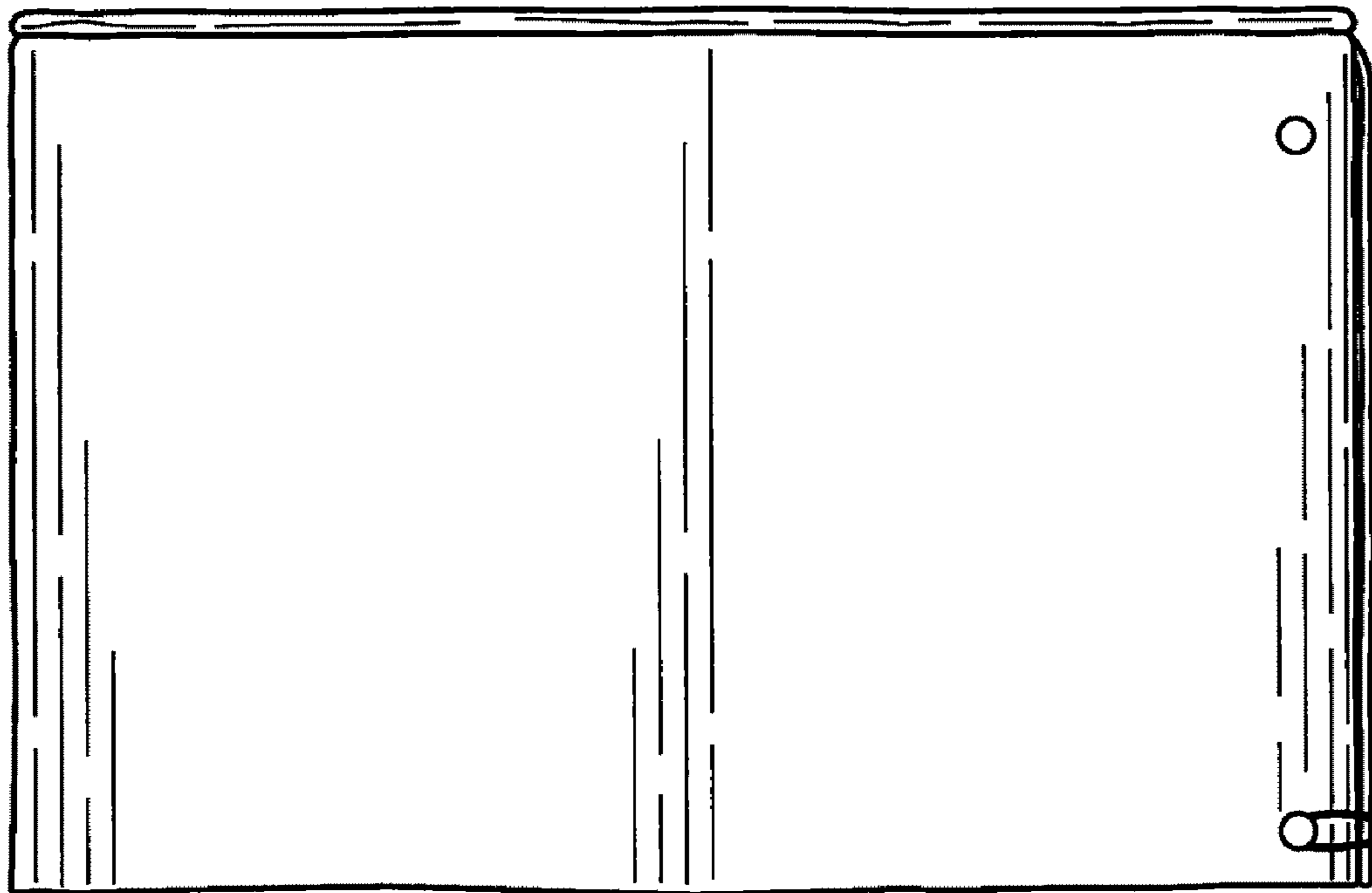


Fig. 6

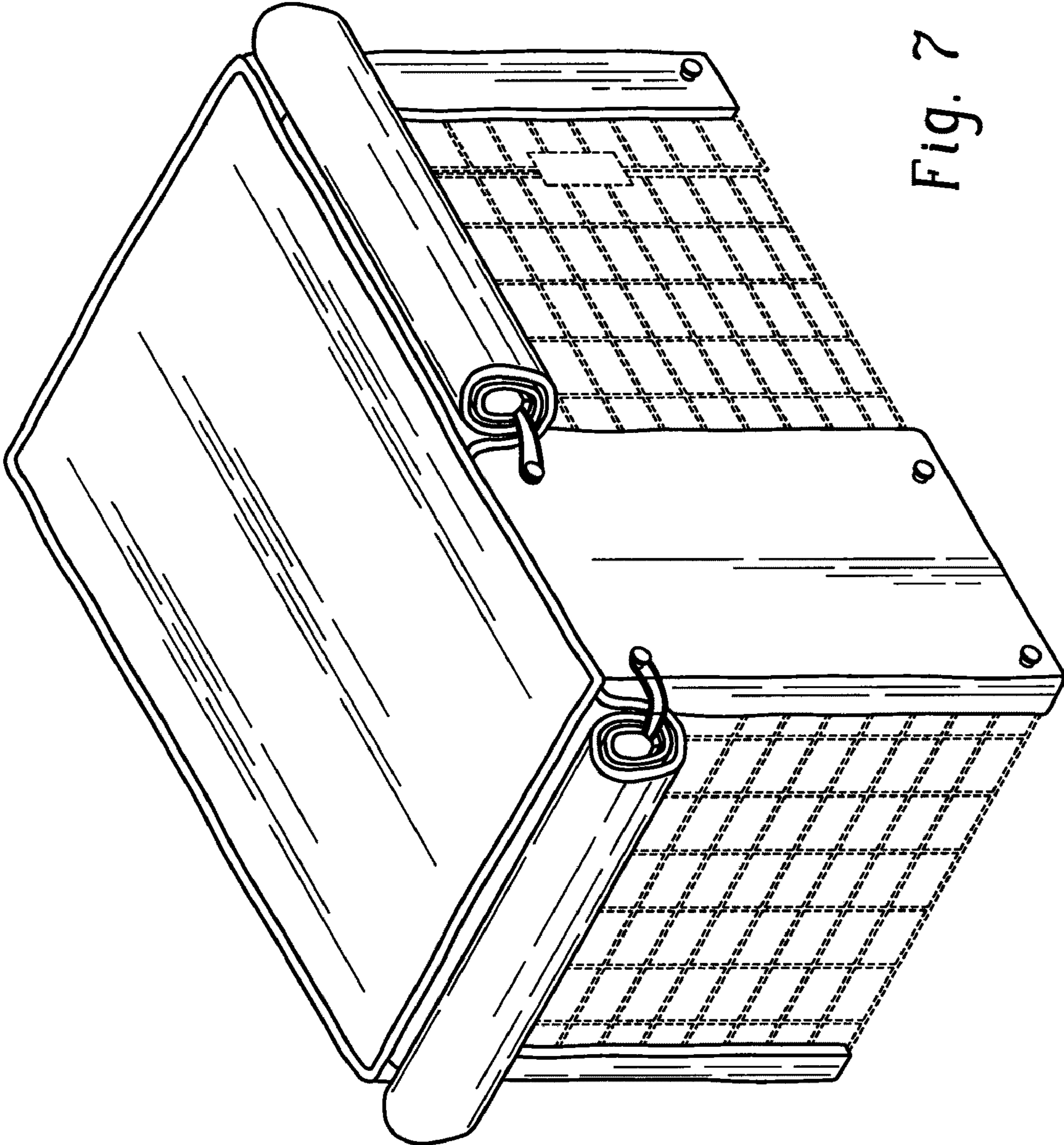


Fig. 7

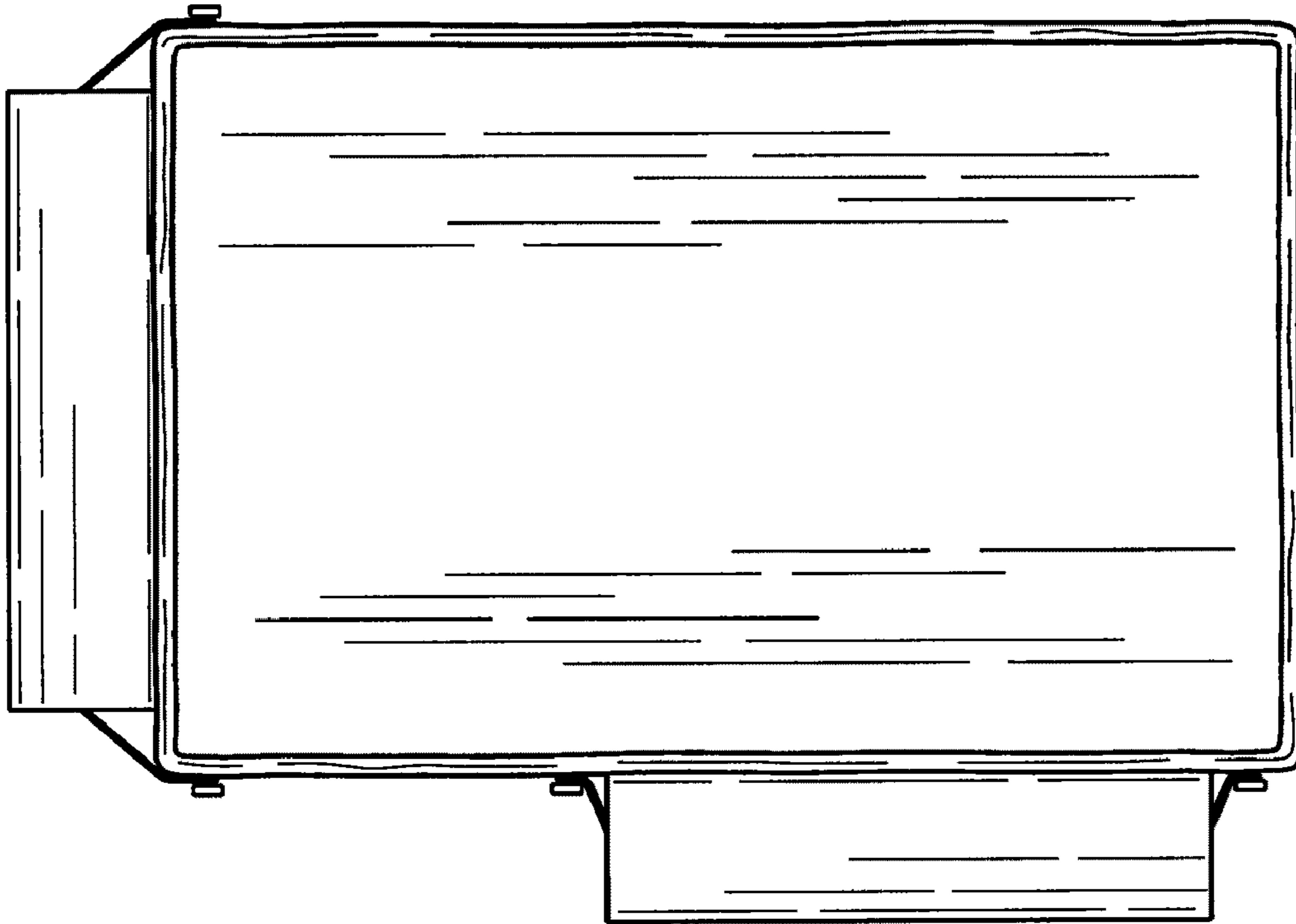


Fig. 8

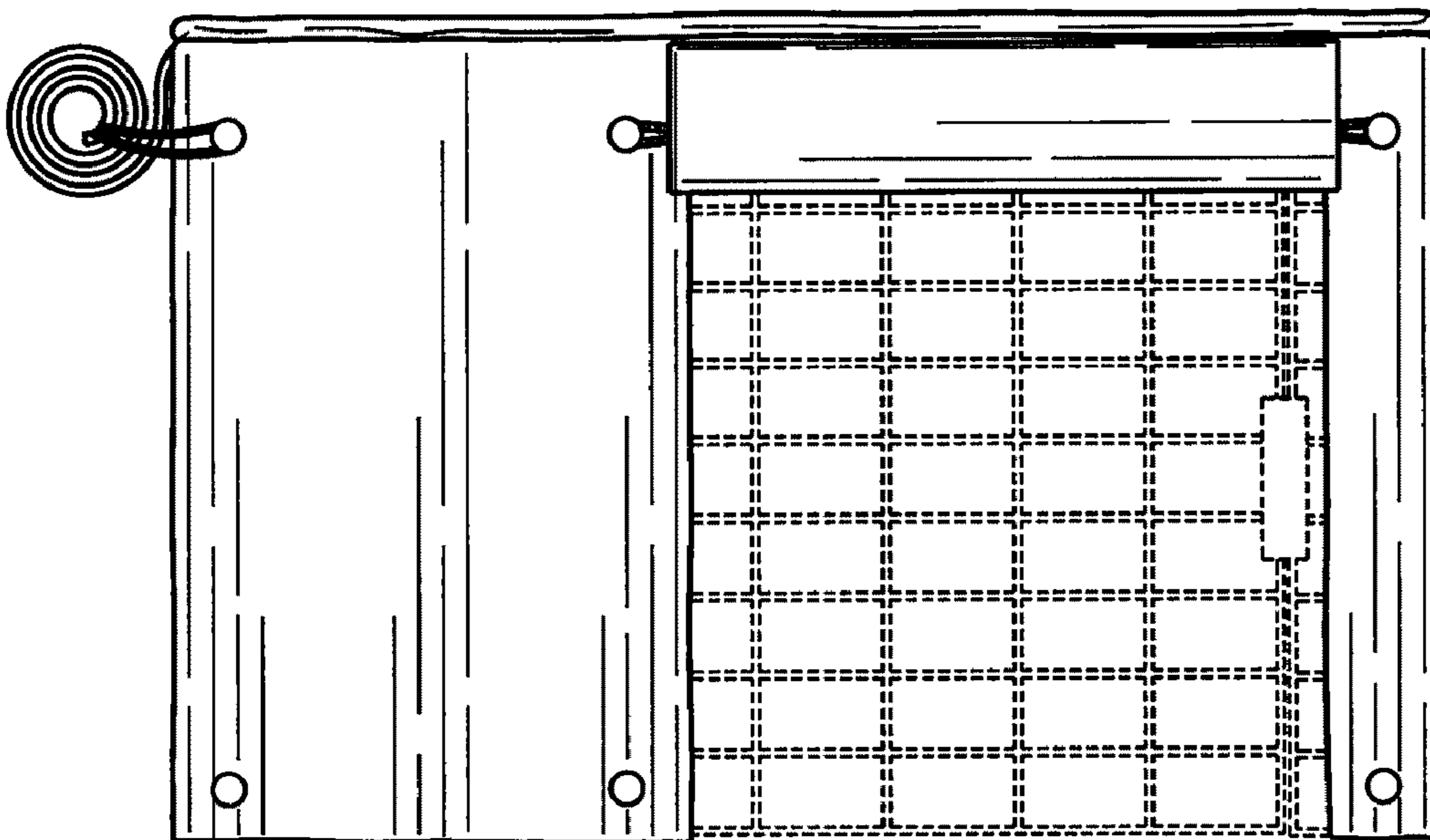


Fig. 9

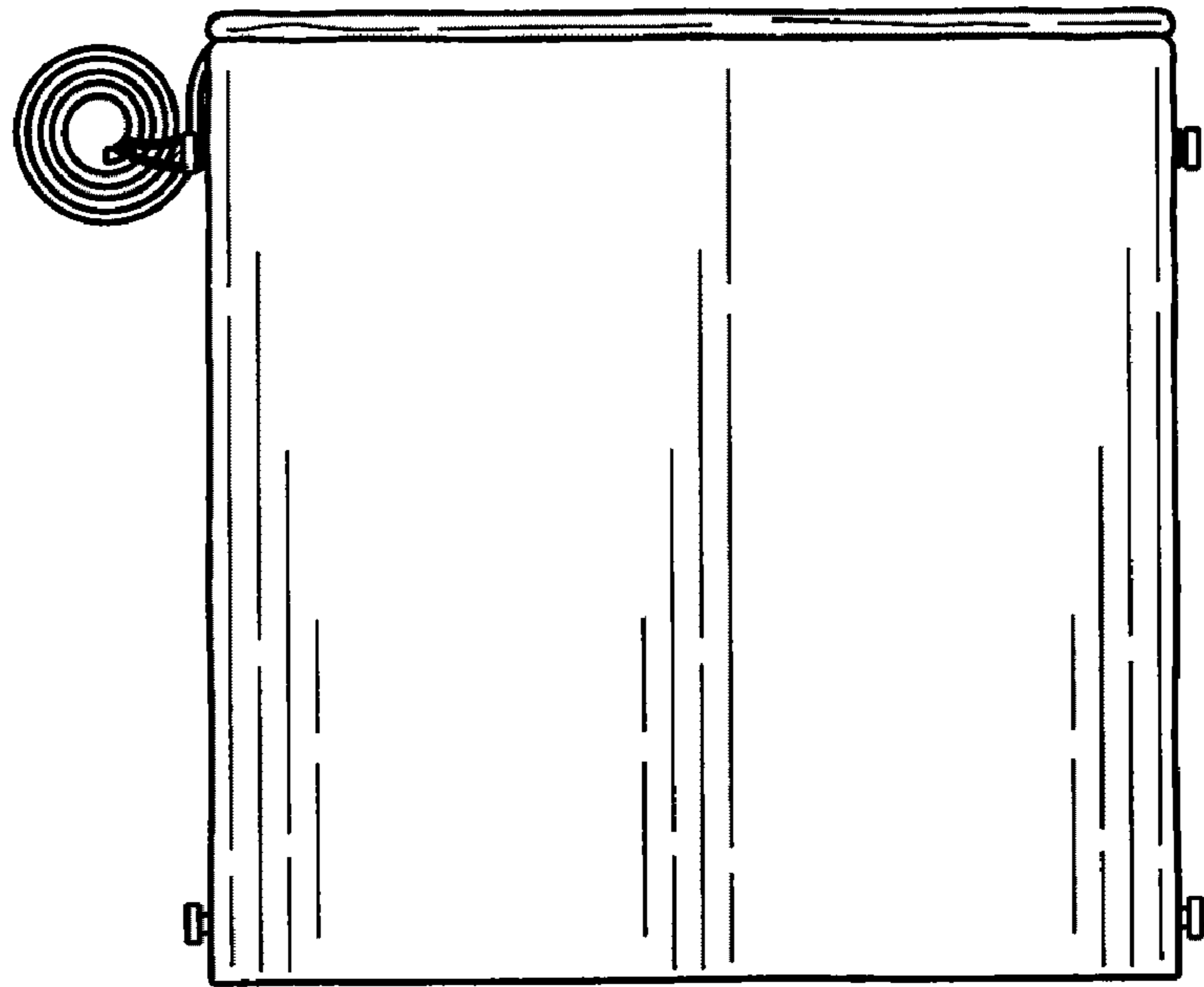


Fig. 10

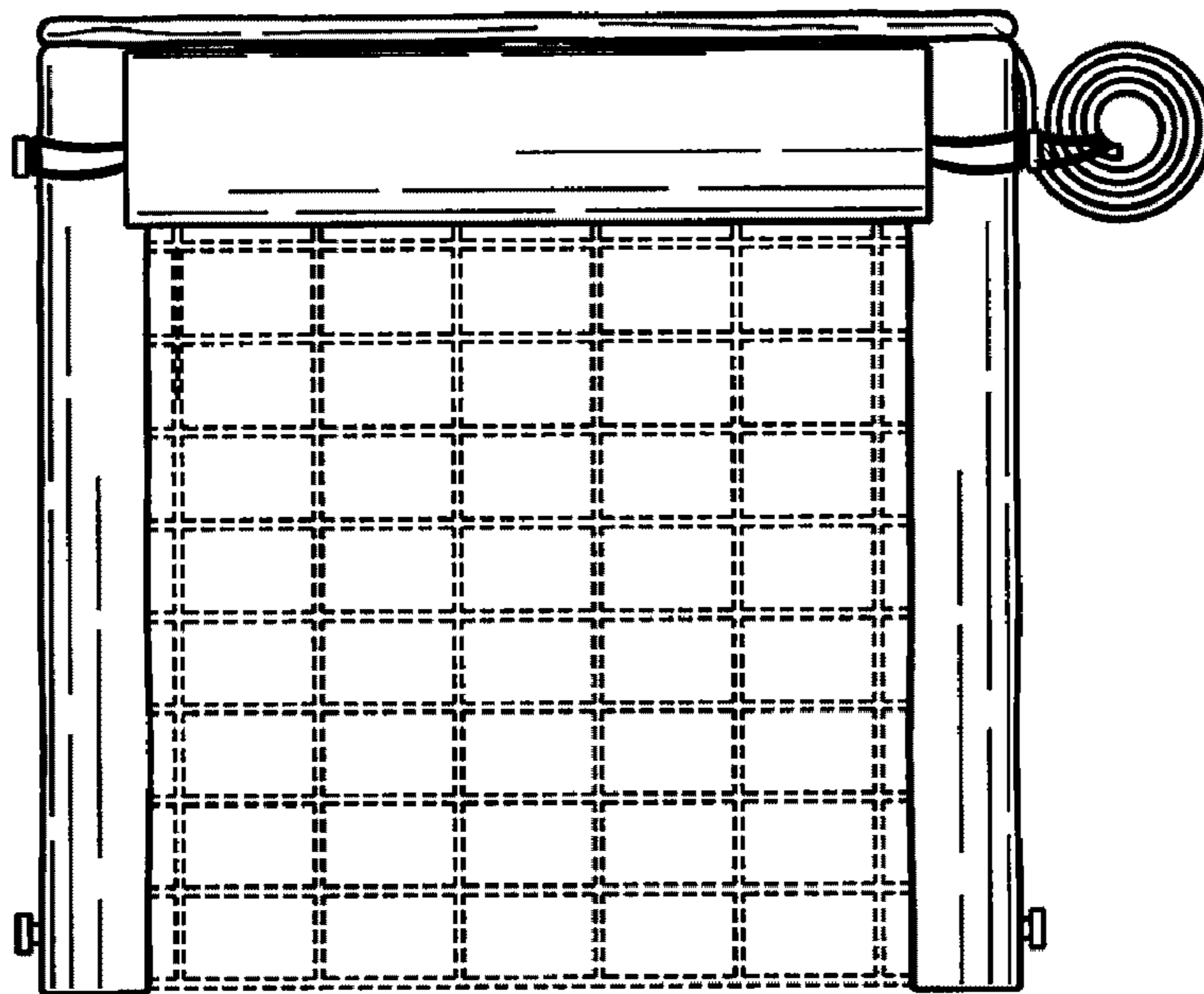


Fig. 11

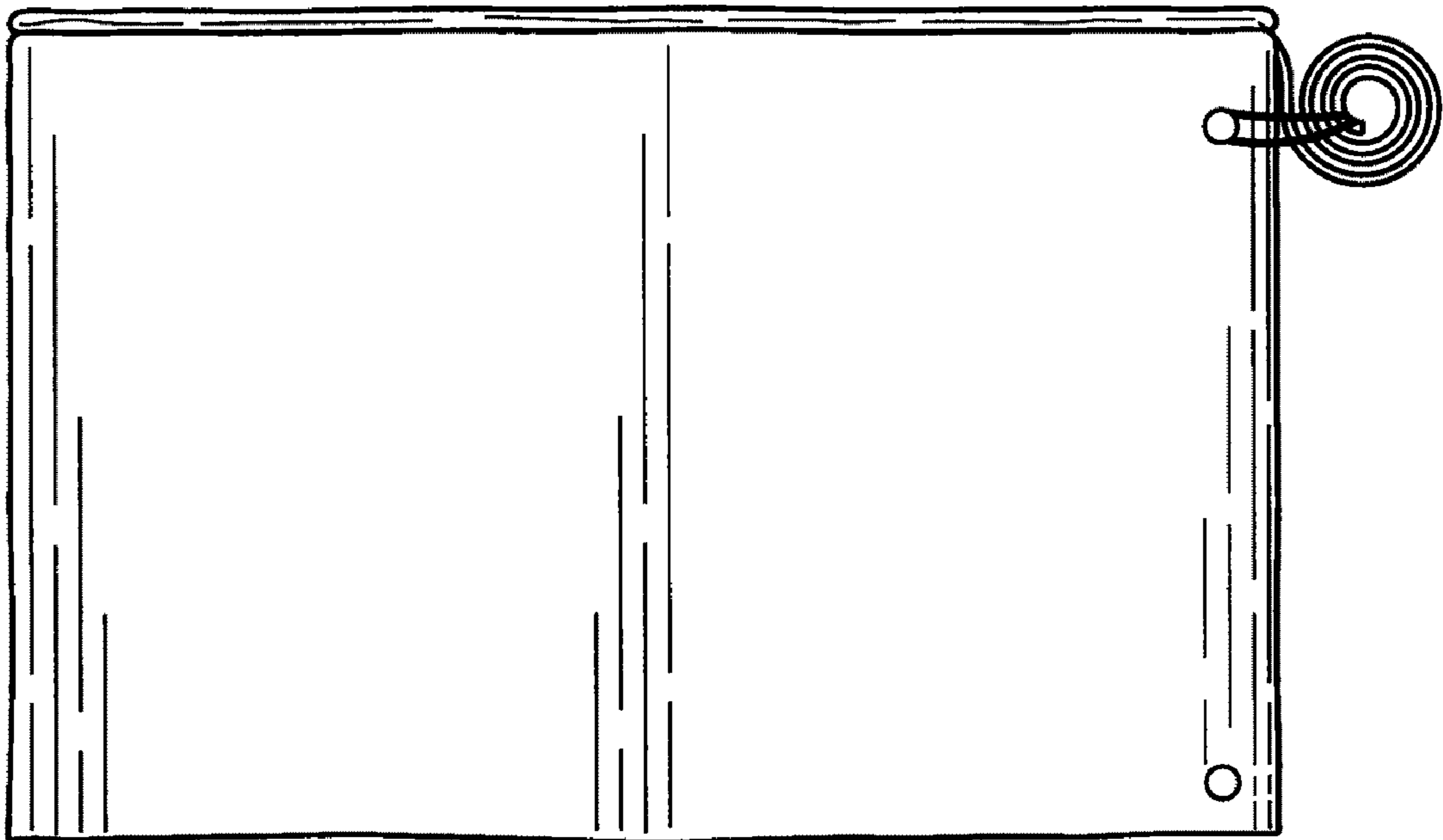


Fig. 12