



US00D641160S

(12) **United States Design Patent**
Minneman

(10) **Patent No.:** **US D641,160 S**

(45) **Date of Patent:** **** Jul. 12, 2011**

(54) **SURVIVAL BOX**

(75) Inventor: **Steven W Minneman**, Clayton, OH
(US)

(73) Assignee: **MTM Molded Products Company**,
Dayton, OH (US)

(**) Term: **14 Years**

(21) Appl. No.: **29/381,445**

(22) Filed: **Dec. 20, 2010**

Related U.S. Application Data

(63) Continuation of application No. 29/344,873, filed on
Oct. 6, 2009, now Pat. No. Des. 629,199.

(51) **LOC (9) Cl.** **03-01**

(52) **U.S. Cl.** **D3/274; D3/294; D3/203.6**

(58) **Field of Classification Search** D3/20,
D3/203.6, 260, 262, 272-274, 281, 291, 294-295,
D3/301-302, 905; 206/315.11, 811; 220/4.21-4.24
See application file for complete search history.

(56) **References Cited**

U.S. PATENT DOCUMENTS

| | | | | |
|-----------|-----|---------|-------------------|----------|
| 1,355,343 | A * | 10/1920 | Korn | |
| 2,939,603 | A * | 6/1960 | Young | 220/4.21 |
| 3,464,579 | A * | 9/1969 | Asenbauer | 220/4.21 |
| 4,030,646 | A * | 6/1977 | Switack et al. | |
| 4,183,206 | A * | 1/1980 | Porsche et al. | |
| 4,363,147 | A * | 12/1982 | Deweese | |
| 4,395,828 | A * | 8/1983 | Juhas | |
| D329,747 | S | 9/1992 | Embree | |
| D334,662 | S | 4/1993 | van Berne | |
| D353,048 | S | 12/1994 | VanSkiver et al. | |
| D367,958 | S | 3/1996 | Tisbo et al. | |
| D375,693 | S | 11/1996 | Chang | |
| D380,225 | S | 6/1997 | Kung | |
| D384,886 | S | 10/1997 | Plante | |
| D387,903 | S | 12/1997 | Jacoby et al. | |
| D389,745 | S | 1/1998 | Steinhagen et al. | |
| D392,060 | S | 3/1998 | Chen | |
| D403,093 | S | 12/1998 | Tseng | |

D413,202 S 8/1999 Schmitt et al.
D419,297 S 1/2000 Richardson et al.
D419,768 S 2/2000 Richardson et al.

(Continued)

OTHER PUBLICATIONS

Survivor Dry Boxes. Downloaded Mar. 15, 2010 at <http://www.mtmcase-gard.com/products/camping/dry-boxes-s1072.html>.*

Primary Examiner — Phillip S Hyder

Assistant Examiner — Roselynn Cody

(74) *Attorney, Agent, or Firm* — Jacox, Meckstroth & Jenkins

(57) **CLAIM**

The ornamental design for a survival box, as shown and described.

DESCRIPTION

FIG. 1 is a perspective view of an embodiment of my invention;

FIG. 2 is a right side view thereof;

FIG. 3 is a top view thereof, illustrating a compass in the top of the survival box;

FIG. 4 is a left side view thereof;

FIG. 5 is a front view thereof;

FIG. 6 is a rear view thereof; and

FIG. 7 is a bottom view thereof.

FIG. 8 is a perspective view of another embodiment of my invention;

FIG. 9 is a right side view thereof;

FIG. 10 is a top view thereof;

FIG. 11 is a left side view thereof;

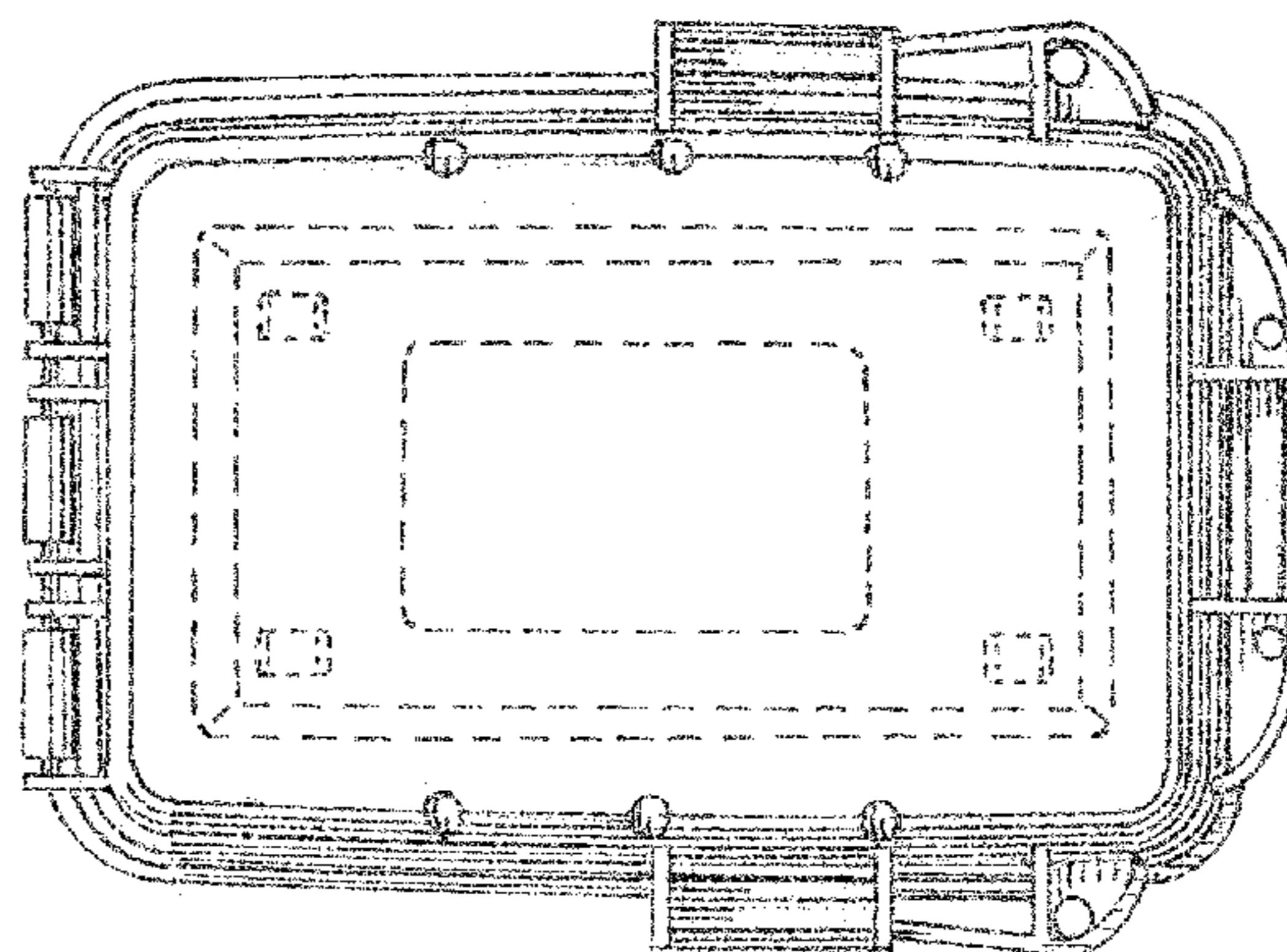
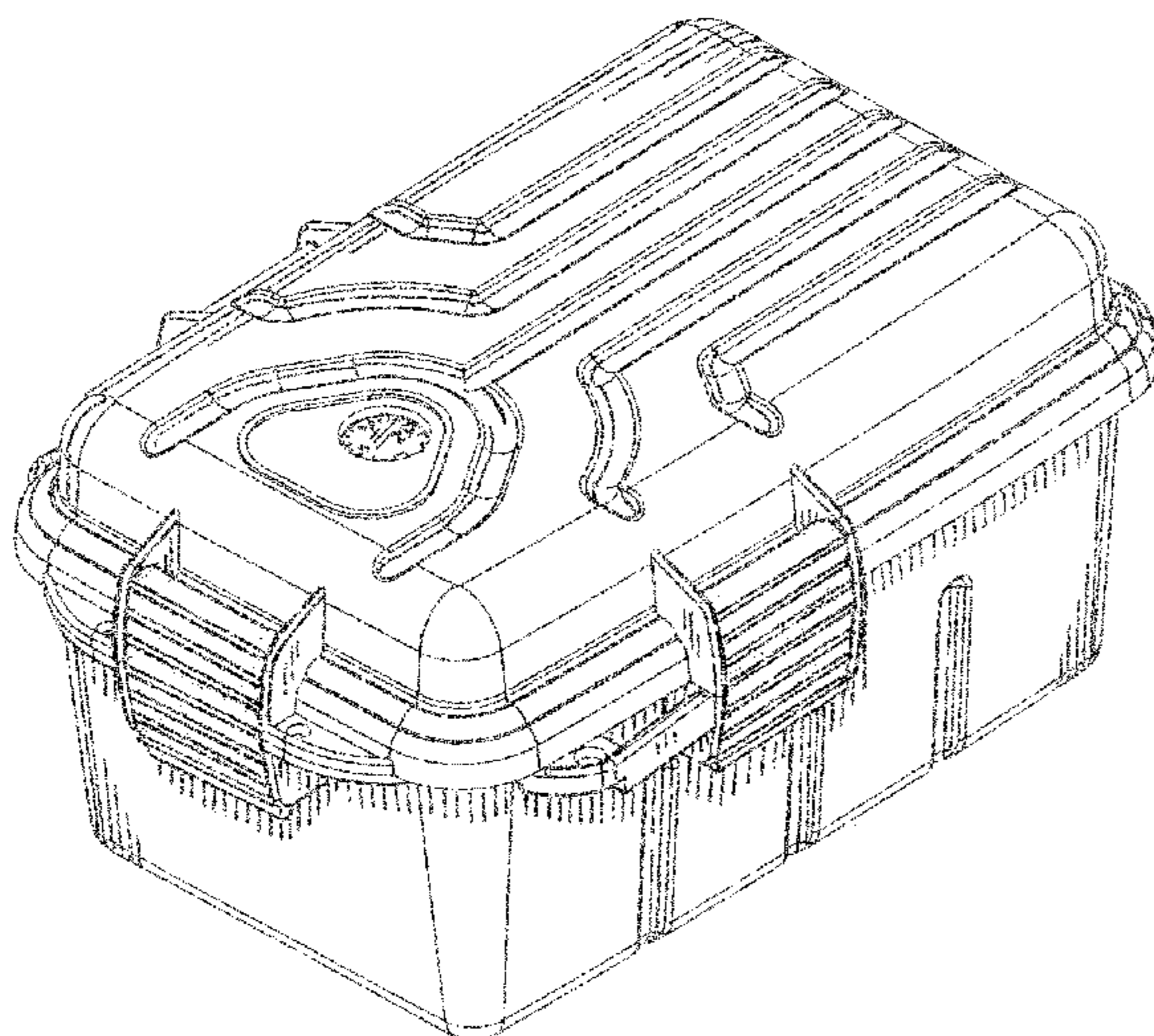
FIG. 12 is a front view thereof;

FIG. 13 is a rear view thereof; and,

FIG. 14 is a bottom view thereof.

The broken lines in the figures depict portions of the survival box that are included for illustrative purposes only and form no part of the claim.

1 Claim, 6 Drawing Sheets



US D641,160 S

Page 2

U.S. PATENT DOCUMENTS

| | | | | | | | |
|-----------|----|---------|-------------------|--------------|----|-----------|----------------------------|
| 6,193,062 | B1 | 2/2001 | Rysgaard et al. | D527,181 | S | 8/2006 | Henning et al. |
| D441,954 | S | 5/2001 | Parker | D552,471 | S | 10/2007 | Kuus |
| D462,519 | S | 9/2002 | Gaydos et al. | 7,370,891 | B1 | 5/2008 | Schmitt et al. |
| D464,196 | S | 10/2002 | Parker | D572,154 | S | 7/2008 | Daas |
| D465,330 | S | 11/2002 | Parker | D574,616 | S | * 8/2008 | Tullney et al. |
| D466,422 | S | 12/2002 | Luquire | D579,202 | S | * 10/2008 | Grenier et al. |
| 6,564,384 | B1 | 5/2003 | Kiser | D580,170 | S | * 11/2008 | Klotzman et al. |
| D488,397 | S | 4/2004 | Morelock | 7,447,118 | B1 | 11/2008 | Matos |
| D490,551 | S | 5/2004 | Kim | 7,533,782 | B2 | 5/2009 | Parker et al. |
| D495,074 | S | 8/2004 | Oas | D609,913 | S | * 2/2010 | Landau |
| D495,443 | S | 8/2004 | Kim | D615,022 | S | * 5/2010 | Schanz et al. D12/409 |
| 6,955,381 | B2 | 10/2005 | Parker et al. | D622,061 | S | * 8/2010 | Higginson D3/302 |
| D514,512 | S | 2/2006 | Rubin et al. | D624,317 | S | * 9/2010 | Wenche et al. D3/294 |
| D516,309 | S | 3/2006 | Richardson et al. | 2005/0034212 | A1 | 2/2005 | Eisenbraun |
| D516,807 | S | 3/2006 | Richardson et al. | 2007/0164020 | A1 | 7/2007 | Arnett et al. |
| D523,242 | S | 6/2006 | Hardigg et al. | 2008/0307835 | A1 | 12/2008 | Grenier et al. |

* cited by examiner

FIG-1

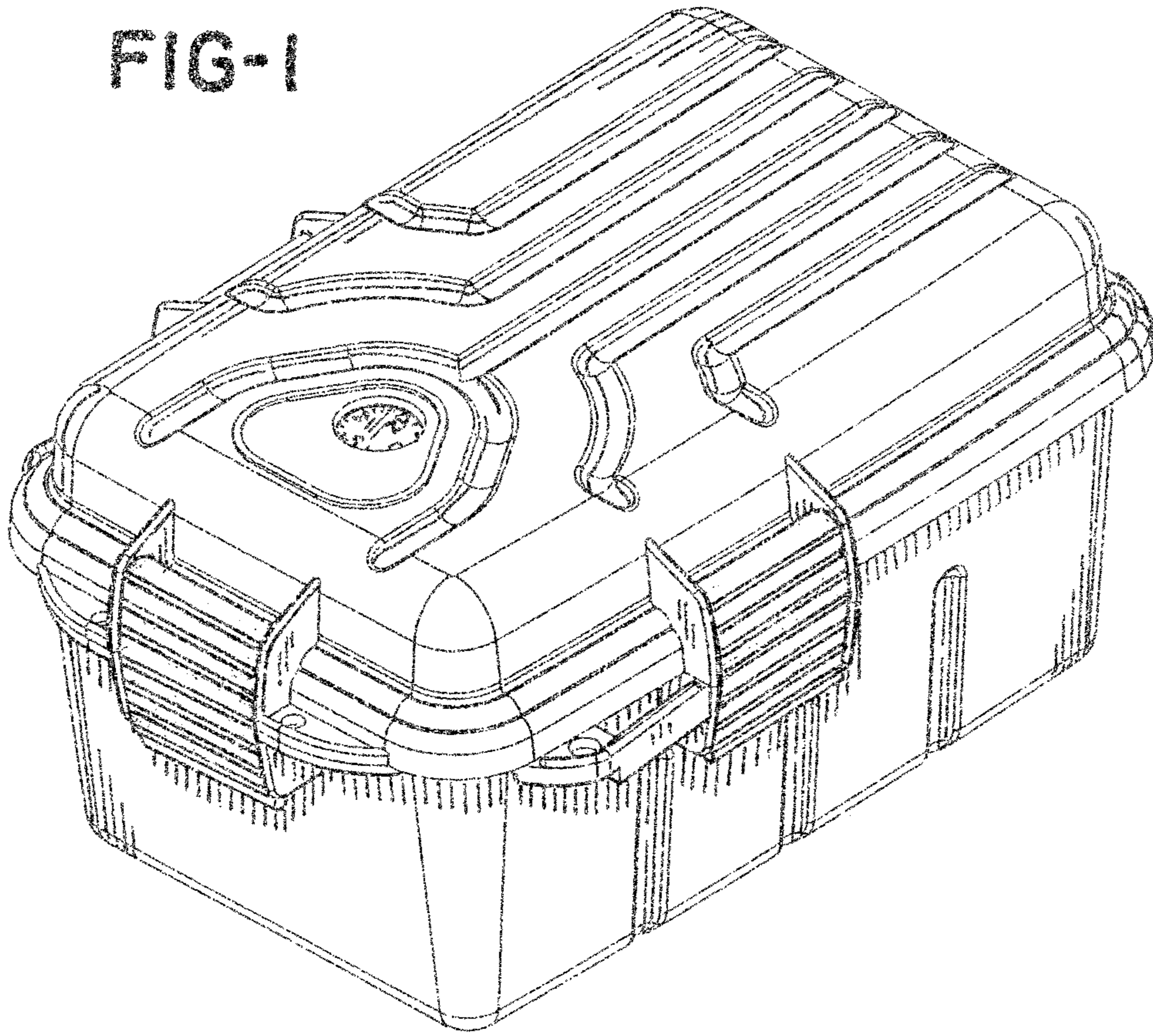


FIG-2

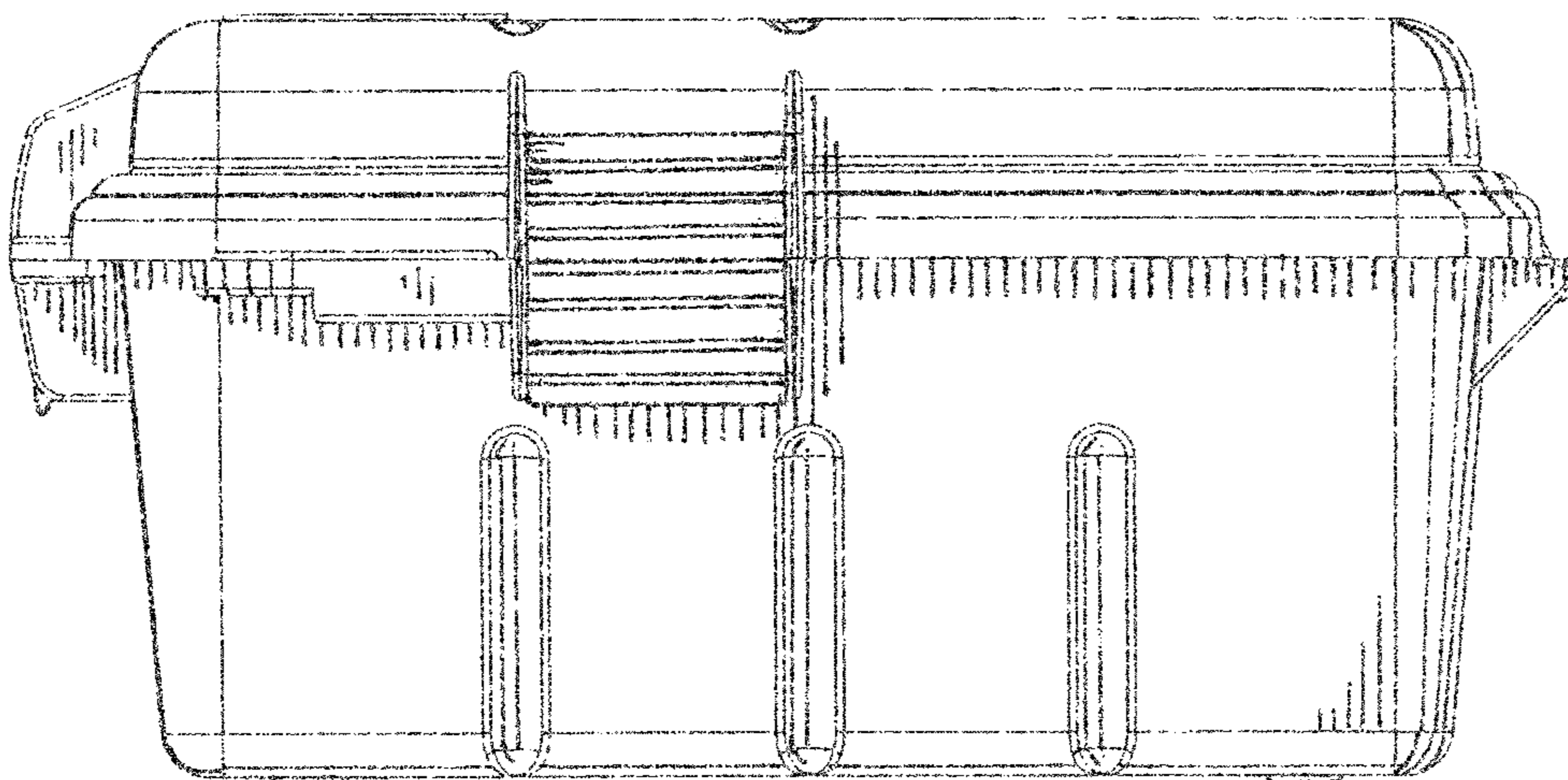


FIG-3

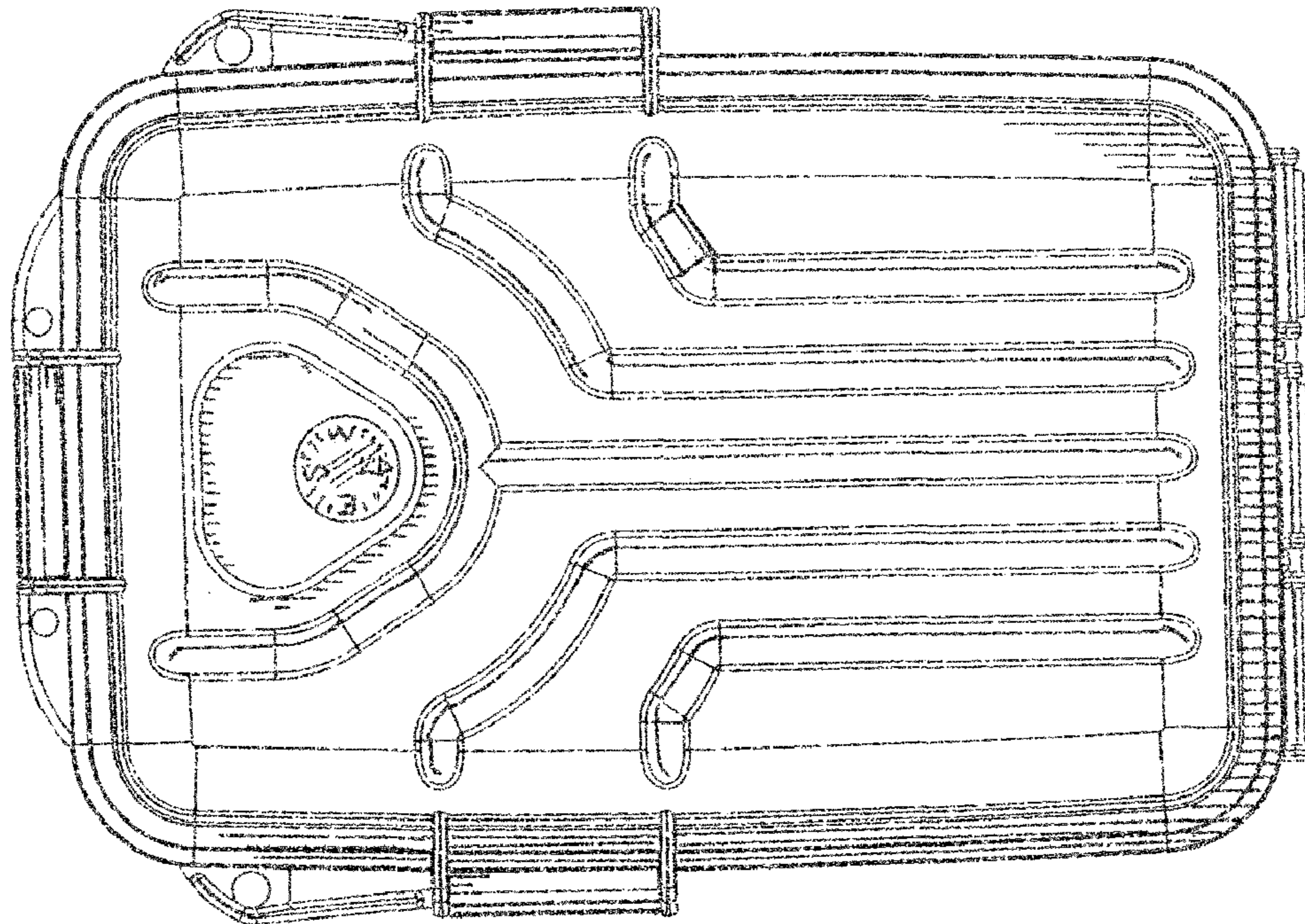


FIG-4

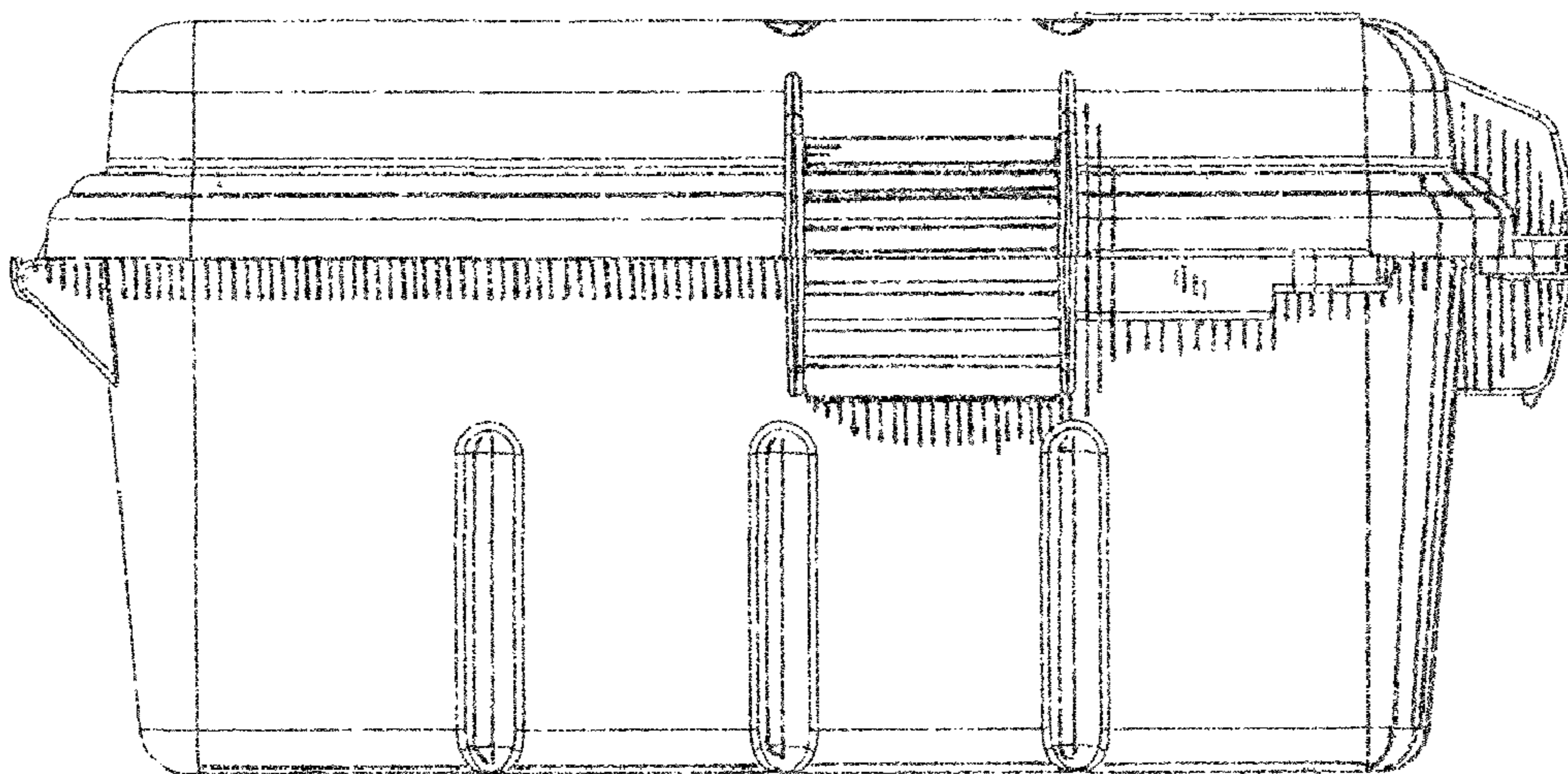


FIG-5

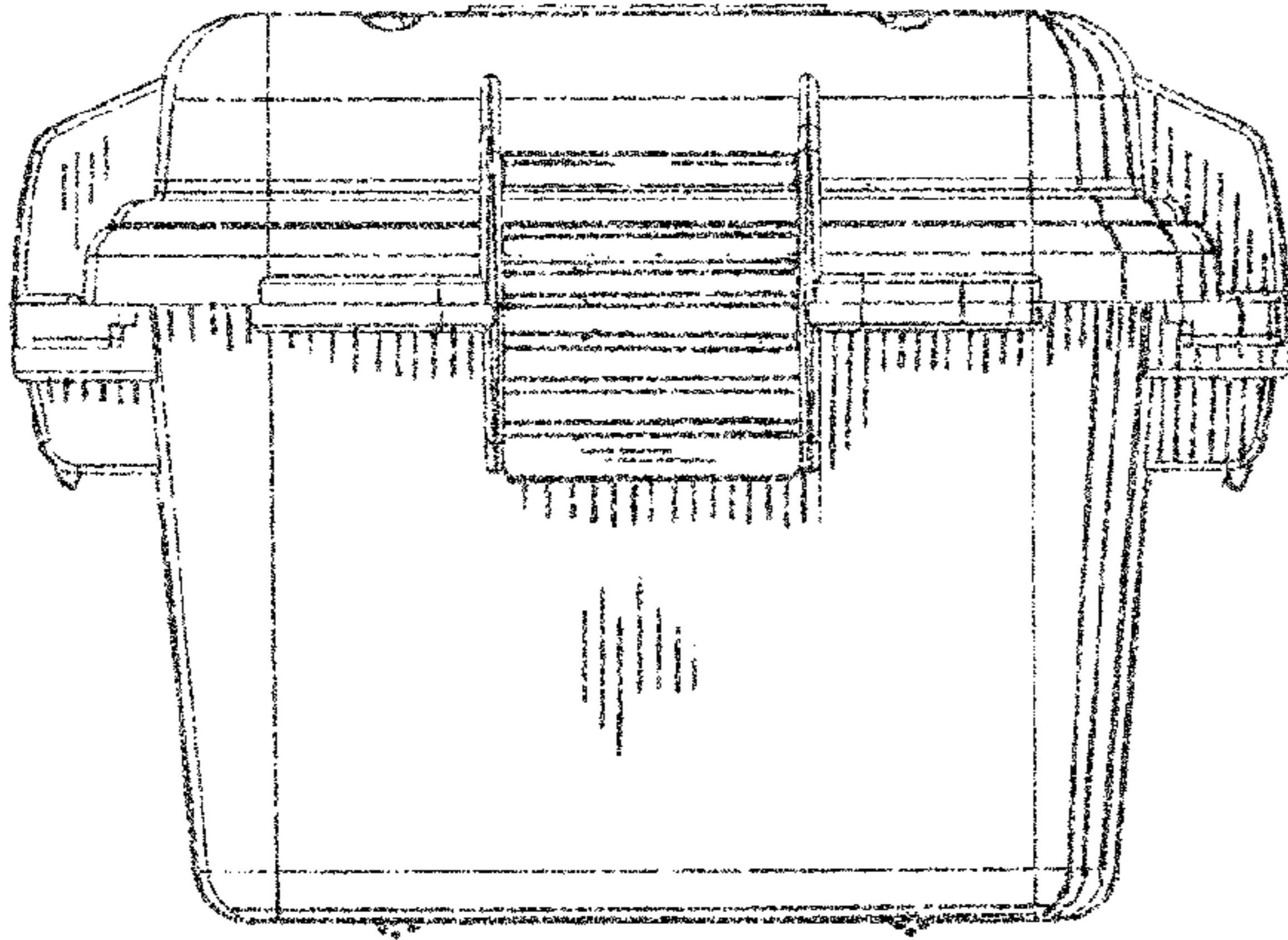


FIG-6

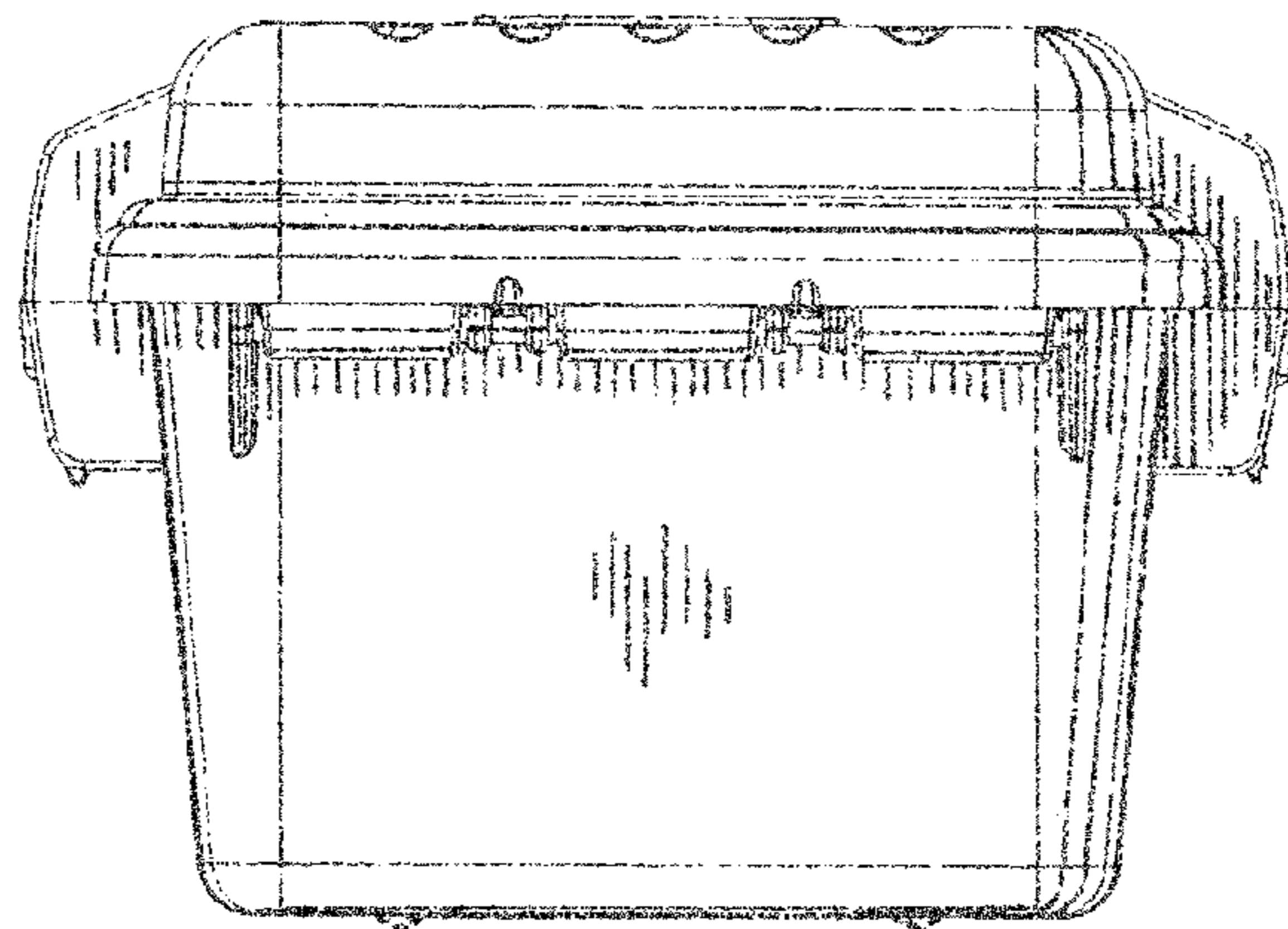


FIG-7

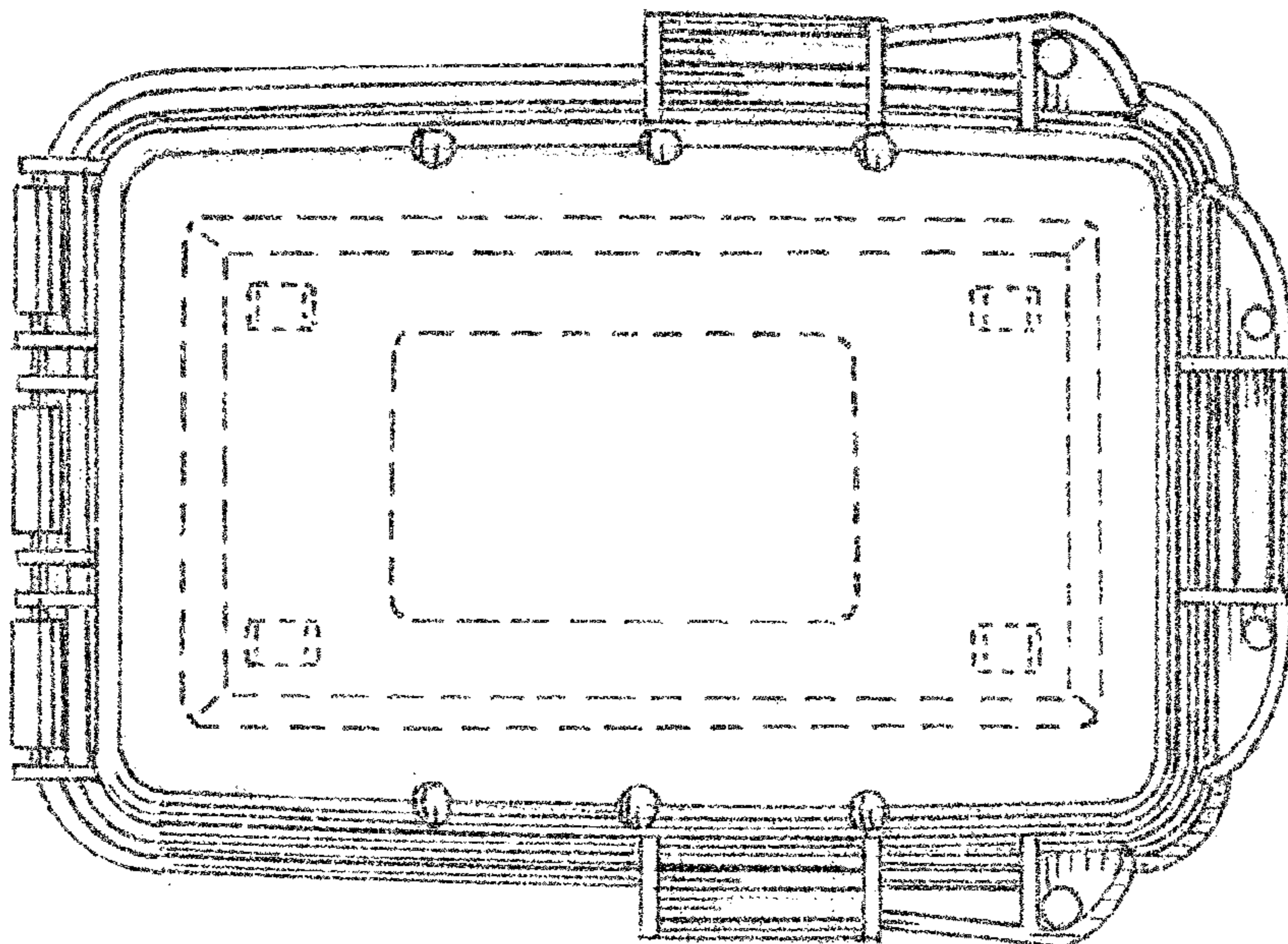


FIG-8

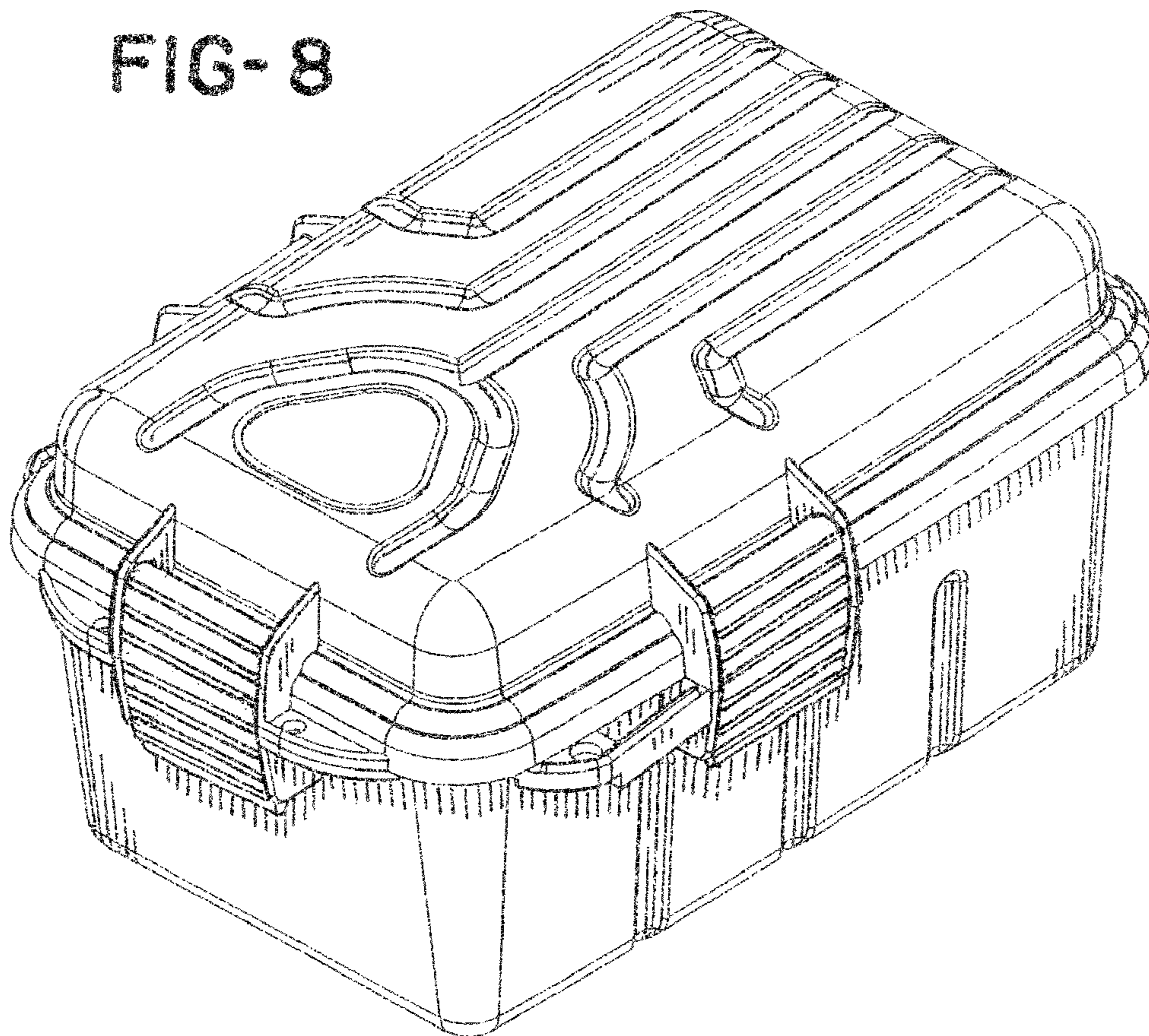


FIG-9

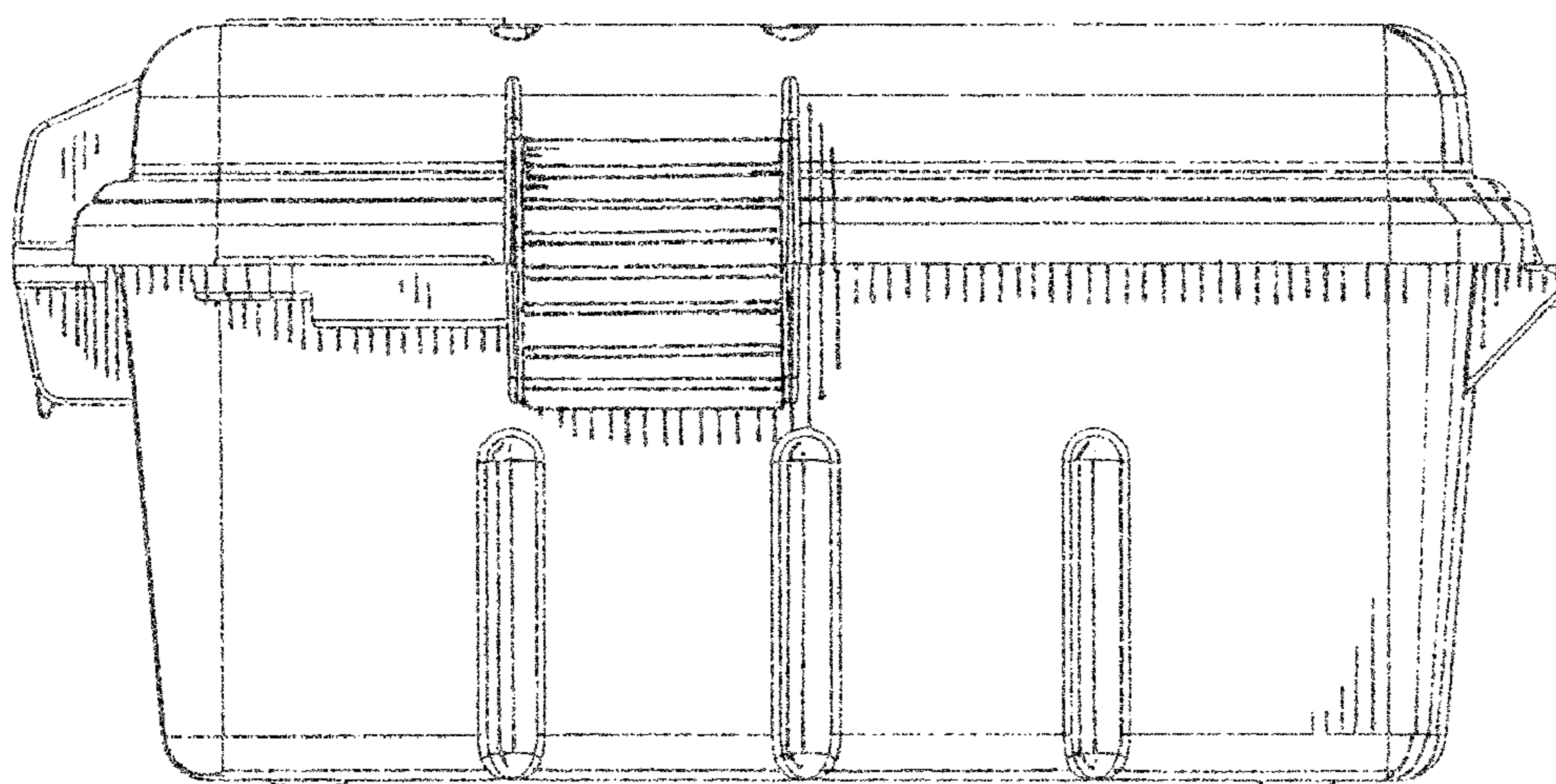


FIG-10

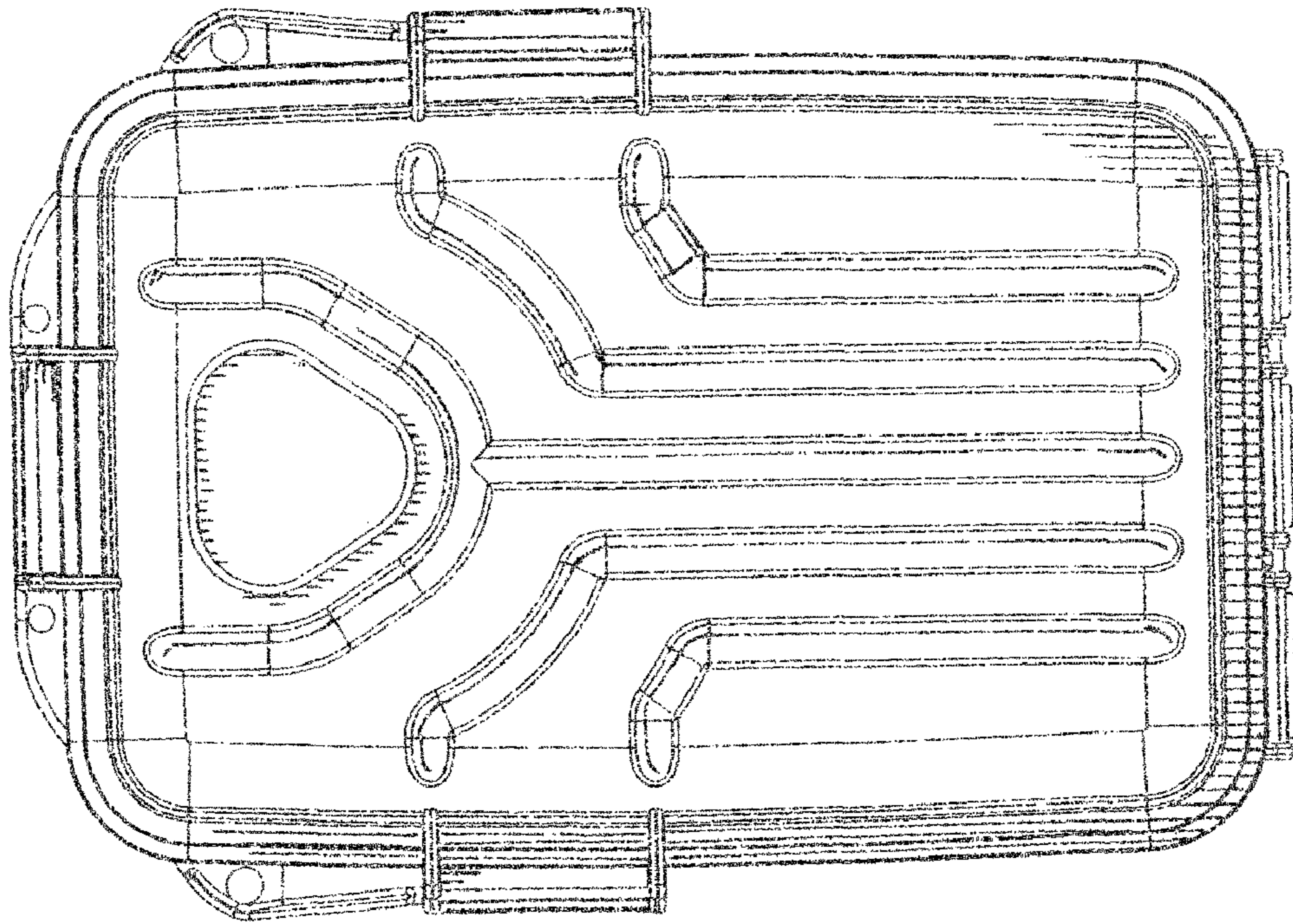


FIG-11

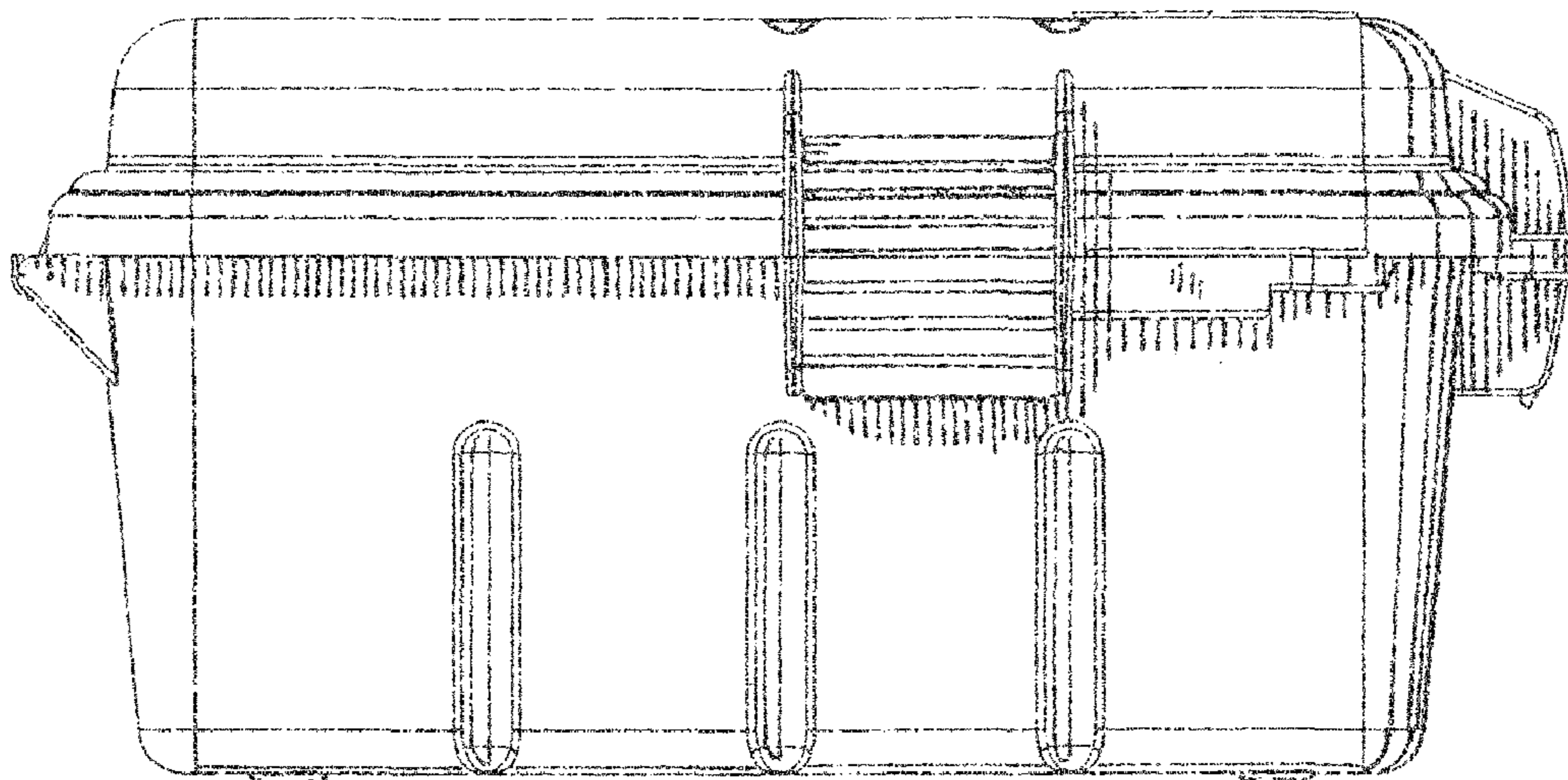


FIG-12

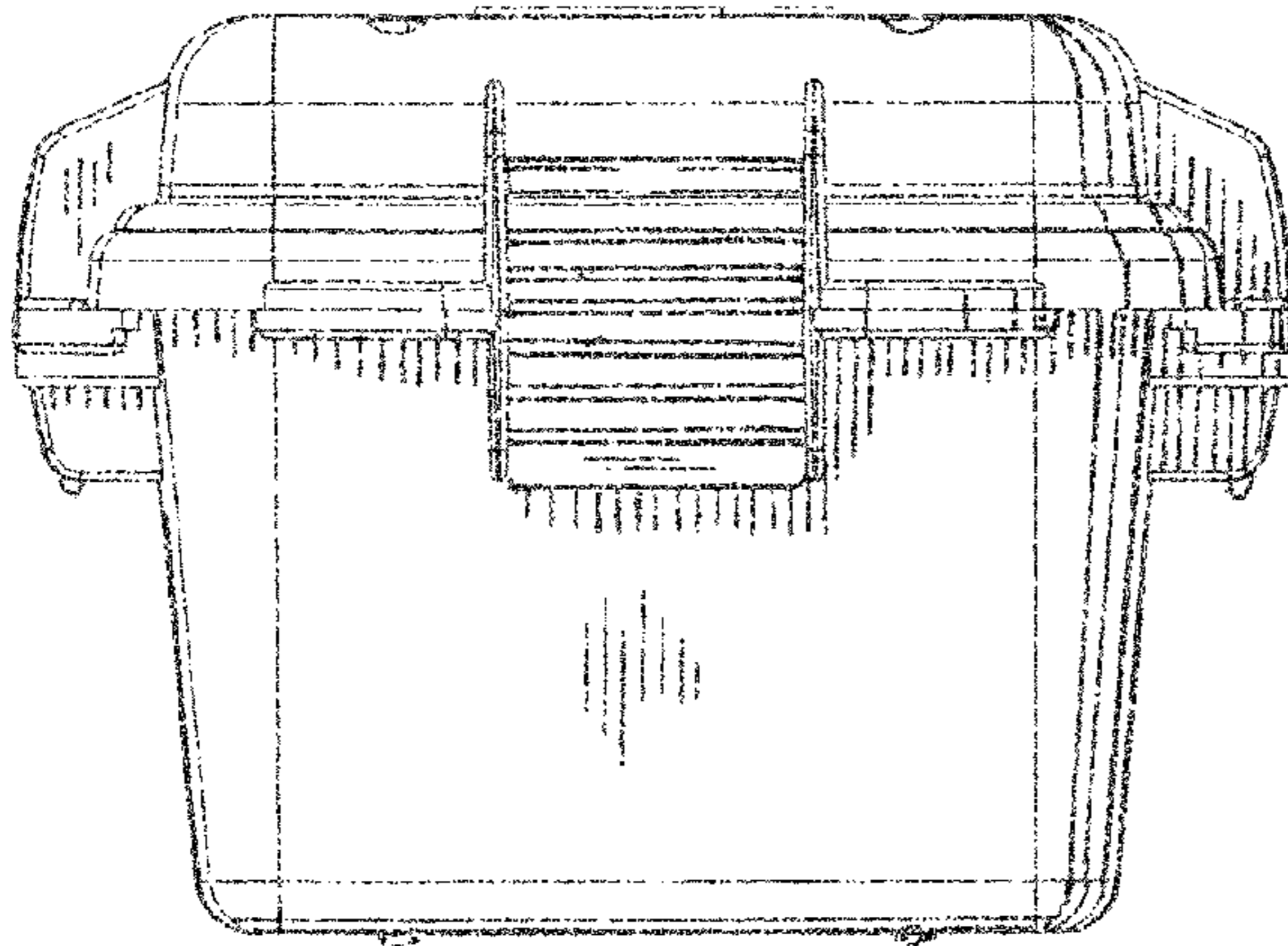


FIG-13

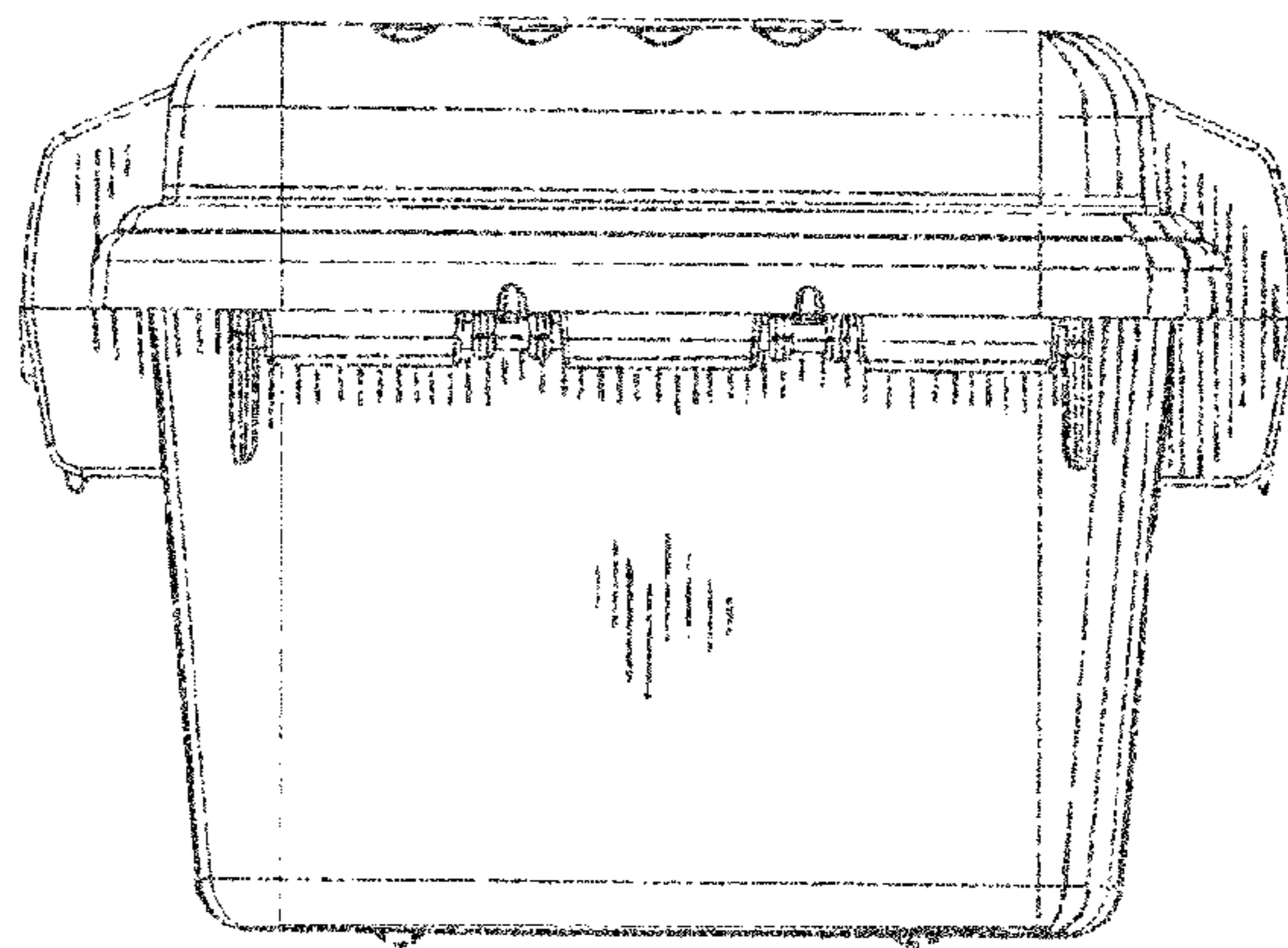


FIG-14

