

US00D641152S

(12) **United States Design Patent**
Bernatchez

(10) **Patent No.:** **US D641,152 S**
(45) **Date of Patent:** **** Jul. 12, 2011**

(54) **L-SHAPED KEY HOLDER WITH A HEAD
END AND A WHISTLE END**

(75) Inventor: **Georges-André Bernatchez,**
St-Augustin-de-Desmaures (CA)

(73) Assignee: **Yoogo Projections Inc.,**
Saint-Augustin-de-Desmaures (CA)

(**) Term: **14 Years**

(21) Appl. No.: **29/381,293**

(22) Filed: **Dec. 17, 2010**

(51) **LOC (9) Cl.** **03-01**

(52) **U.S. Cl.** **D3/212**

(58) **Field of Classification Search** D3/207-212;
D11/31-33, 44, 48-51, 66; 70/456 R, 456 B,
70/457-460; 24/3.6; D13/168; 362/116;
D8/348

See application file for complete search history.

(56) **References Cited**

U.S. PATENT DOCUMENTS

| | | | | |
|-----------|-----|---------|--------------|--------|
| 4,160,369 | A | 7/1979 | Pearson | |
| D252,541 | S * | 8/1979 | Harper | D3/211 |
| 4,498,669 | A | 2/1985 | Chun | |
| 4,739,990 | A | 4/1988 | Aguirre | |
| D301,513 | S | 6/1989 | Wright | |
| D308,297 | S | 6/1990 | Romano | |
| 5,108,098 | A | 4/1992 | Ashihara | |
| D333,692 | S | 3/1993 | Parsons | |
| 5,192,074 | A | 3/1993 | Ashihara | |
| D352,339 | S | 11/1994 | McGowan | |
| 5,405,134 | A | 4/1995 | Wolfram | |
| D360,720 | S * | 7/1995 | Drevo et al. | D32/46 |
| 5,475,368 | A | 12/1995 | Collins | |
| 5,712,619 | A | 1/1998 | Simkin | |
| 5,783,875 | A | 7/1998 | Jaros | |
| D398,365 | S | 9/1998 | Bader | |
| 5,829,643 | A | 11/1998 | Isabella | |
| 5,863,251 | A | 1/1999 | Fusco | |
| D428,695 | S * | 8/2000 | Rothschild | D3/211 |
| 6,147,611 | A | 11/2000 | Otero | |

| | | | | |
|--------------|-----|---------|---------------|--------|
| D442,448 | S * | 5/2001 | Kelleghan | D8/38 |
| 6,811,493 | B1 | 11/2004 | Lee | |
| D504,222 | S | 4/2005 | Kieffer | |
| D505,784 | S | 6/2005 | Yeh | |
| D509,353 | S | 9/2005 | Billings | |
| 6,942,362 | B1 | 9/2005 | Deutsch | |
| 7,156,535 | B1 | 1/2007 | Deutsch | |
| 7,185,999 | B2 | 3/2007 | Lui | |
| D580,160 | S * | 11/2008 | Wilson et al. | D3/207 |
| 2002/0017231 | A1 | 2/2002 | Tanaka | |
| 2004/0155781 | A1 | 8/2004 | DeOme | |
| 2005/0237736 | A1 | 10/2005 | Wimsatt | |
| 2007/0133201 | A1 | 6/2007 | Lui | |
| 2007/0238532 | A1 | 10/2007 | Stethem | |
| 2008/0178251 | A1 | 7/2008 | Shin | |

FOREIGN PATENT DOCUMENTS

| | | |
|----|------------|---------|
| CA | 2052972 | 5/1992 |
| WO | 9111054 | 7/1991 |
| WO | 2008045003 | 4/2008 |
| WO | 2010146571 | 12/2010 |

* cited by examiner

Primary Examiner — R. Seifert

(74) *Attorney, Agent, or Firm* — King & Spalding LLP

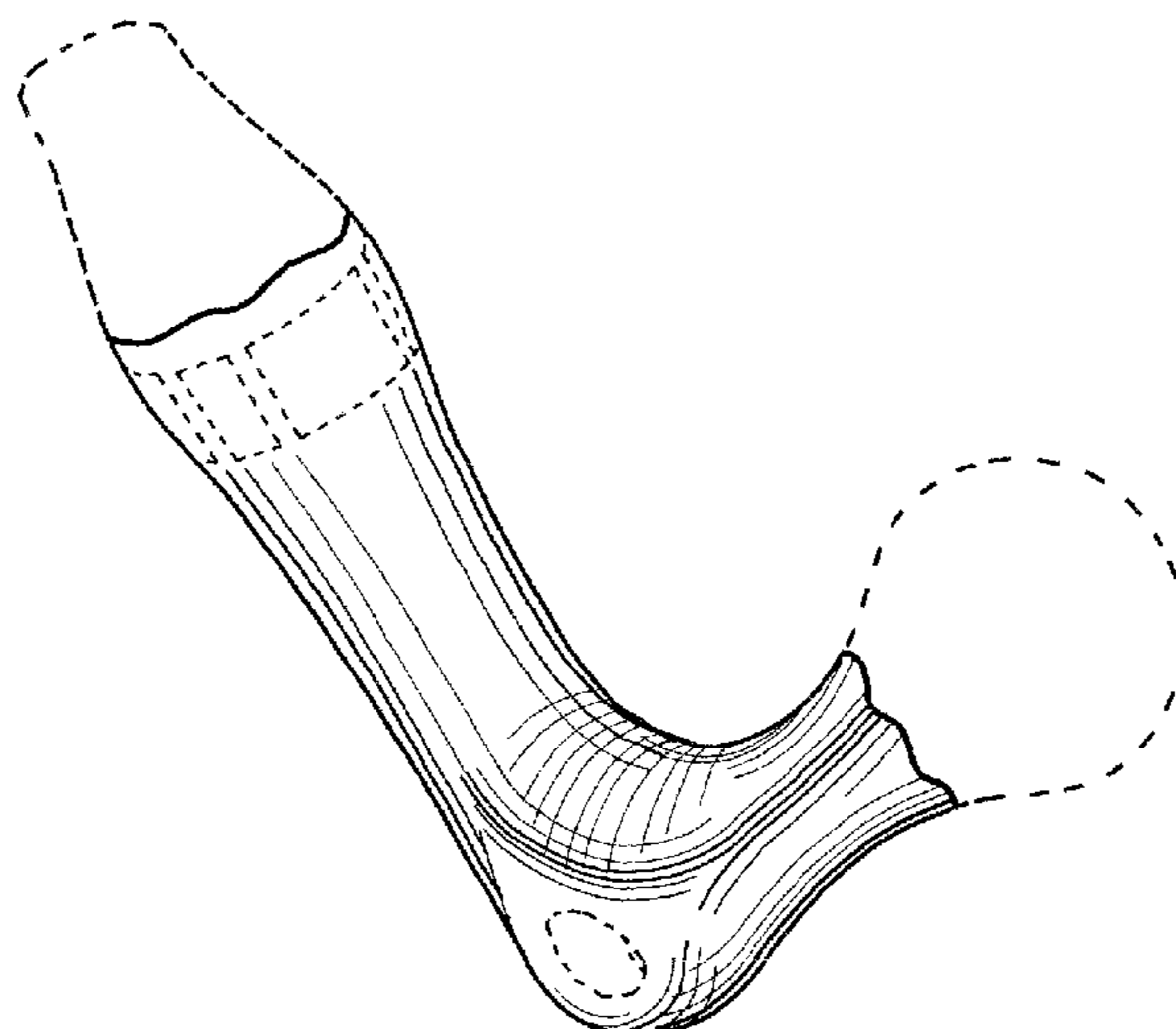
(57) **CLAIM**

The ornamental design for an L-shaped key holder with a head end and a whistle end, as shown and described.

DESCRIPTION

FIG. 1 is a left side perspective view of an L-shaped key holder showing my new design; FIG. 2 is a right side perspective view; FIG. 3 is a top view; FIG. 4 is a bottom view; FIG. 5 is a front view; FIG. 6 is a back view; FIG. 7 is a left side view; and, FIG. 8 is a right side view. The broken line showing is included for the purpose of illustrating environmental matter and forms no part of the claimed design.

1 Claim, 4 Drawing Sheets



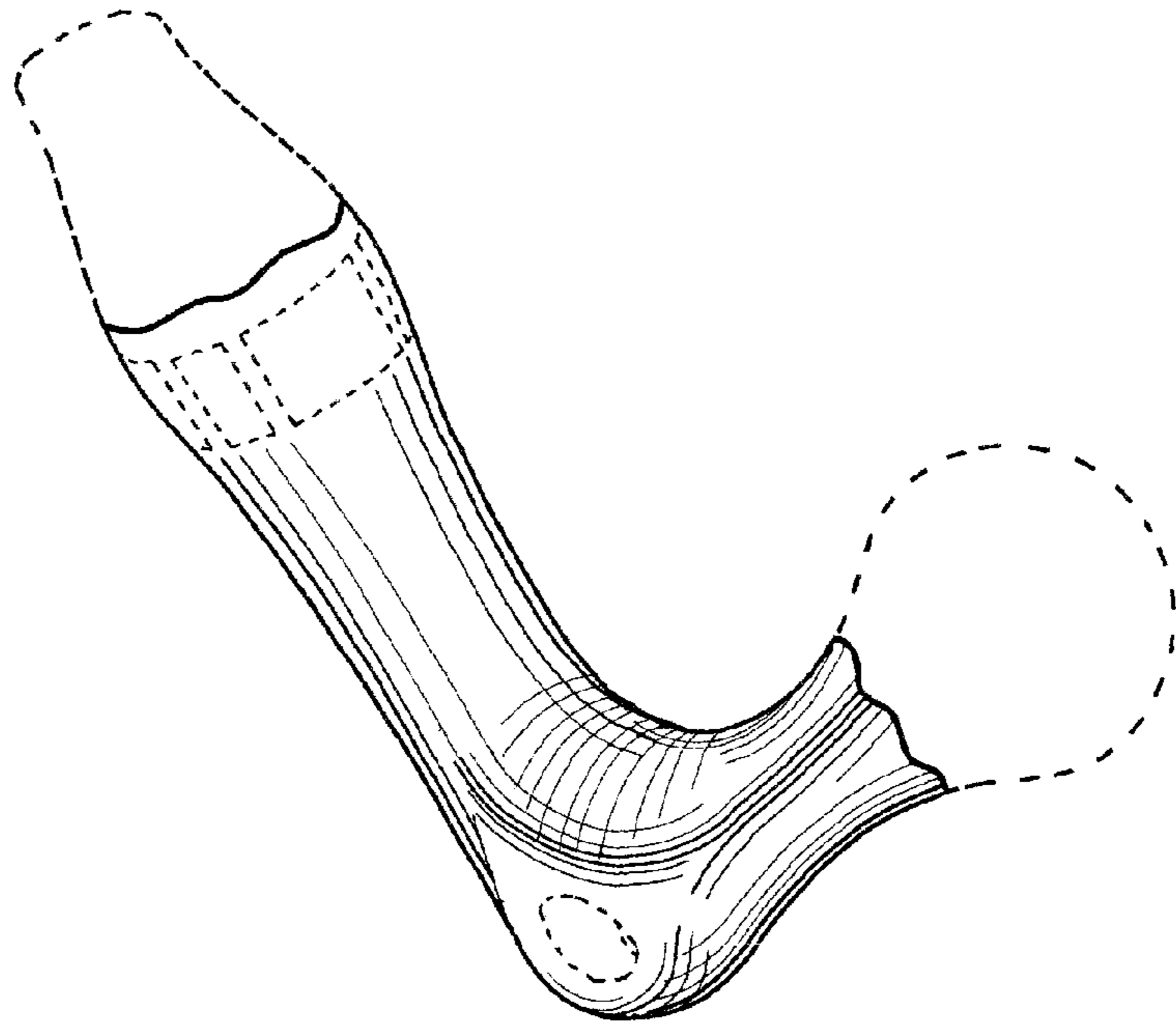


FIG. 1

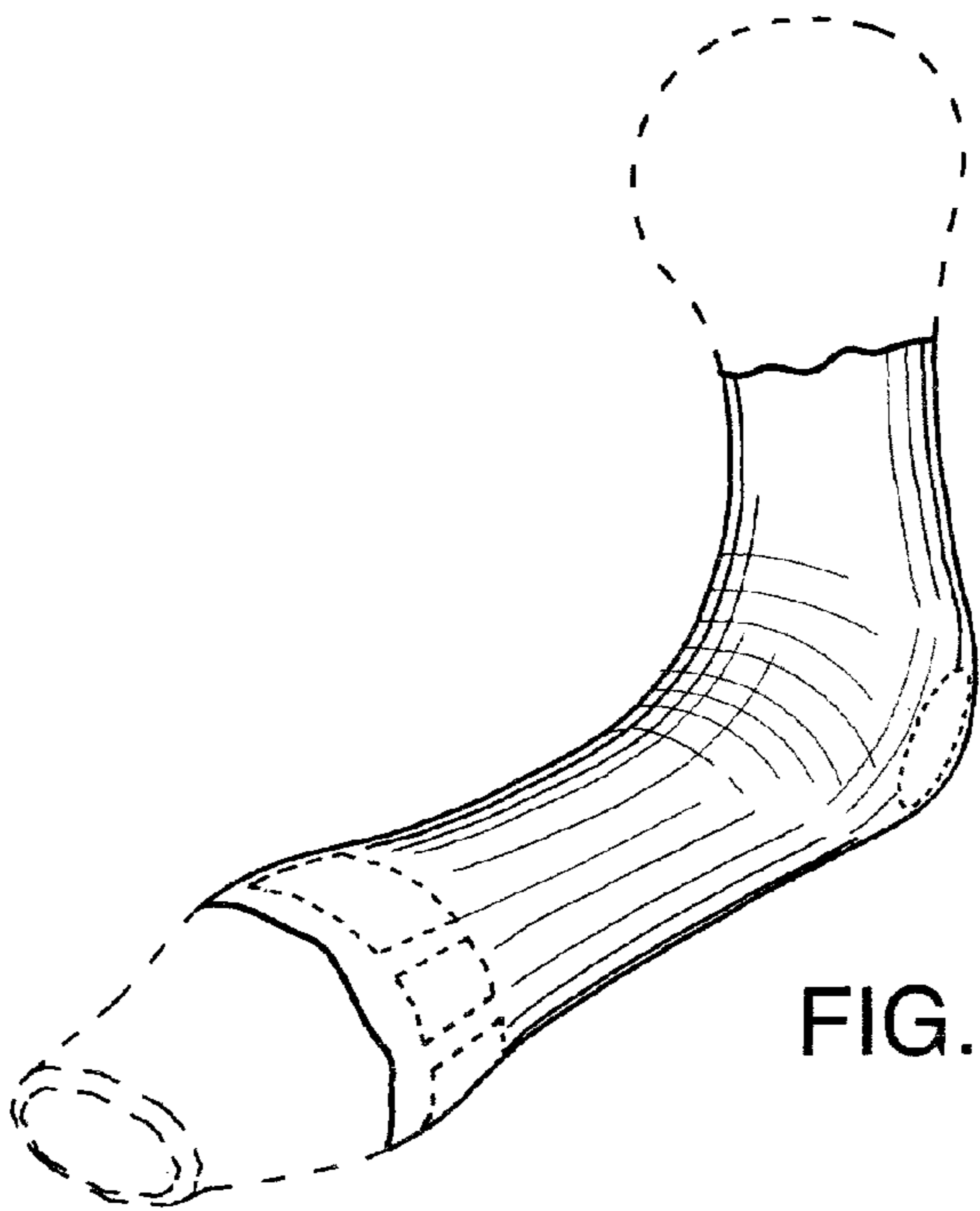


FIG. 2

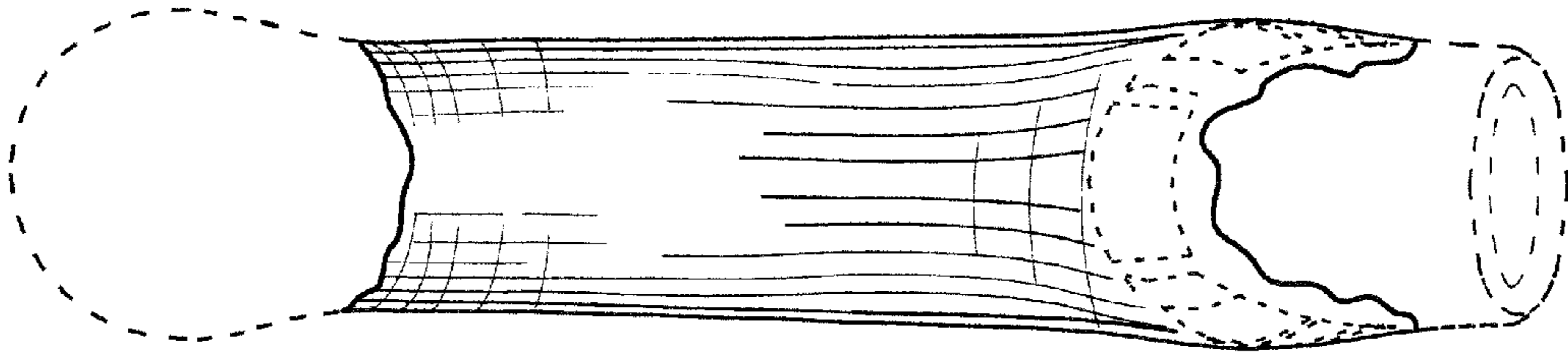


FIG.3

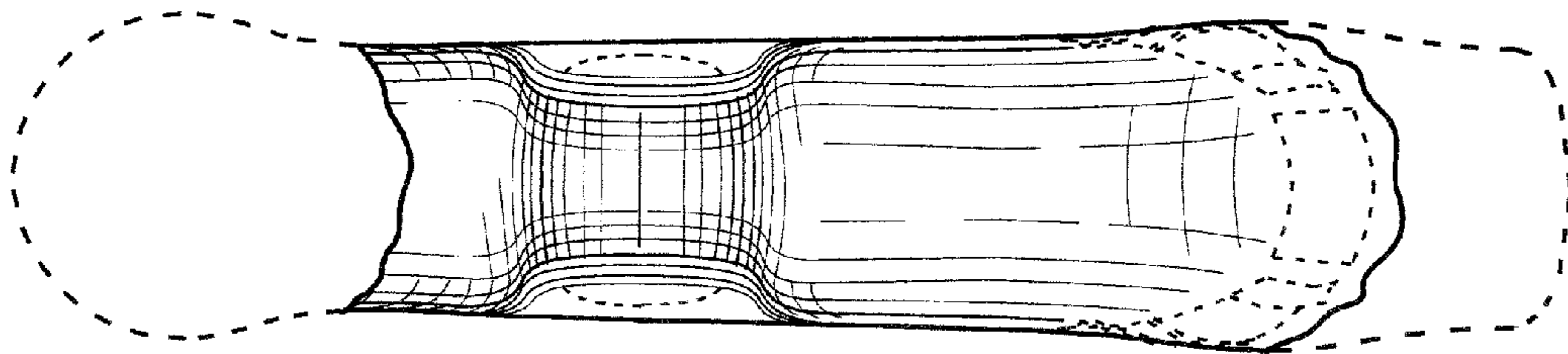


FIG.4

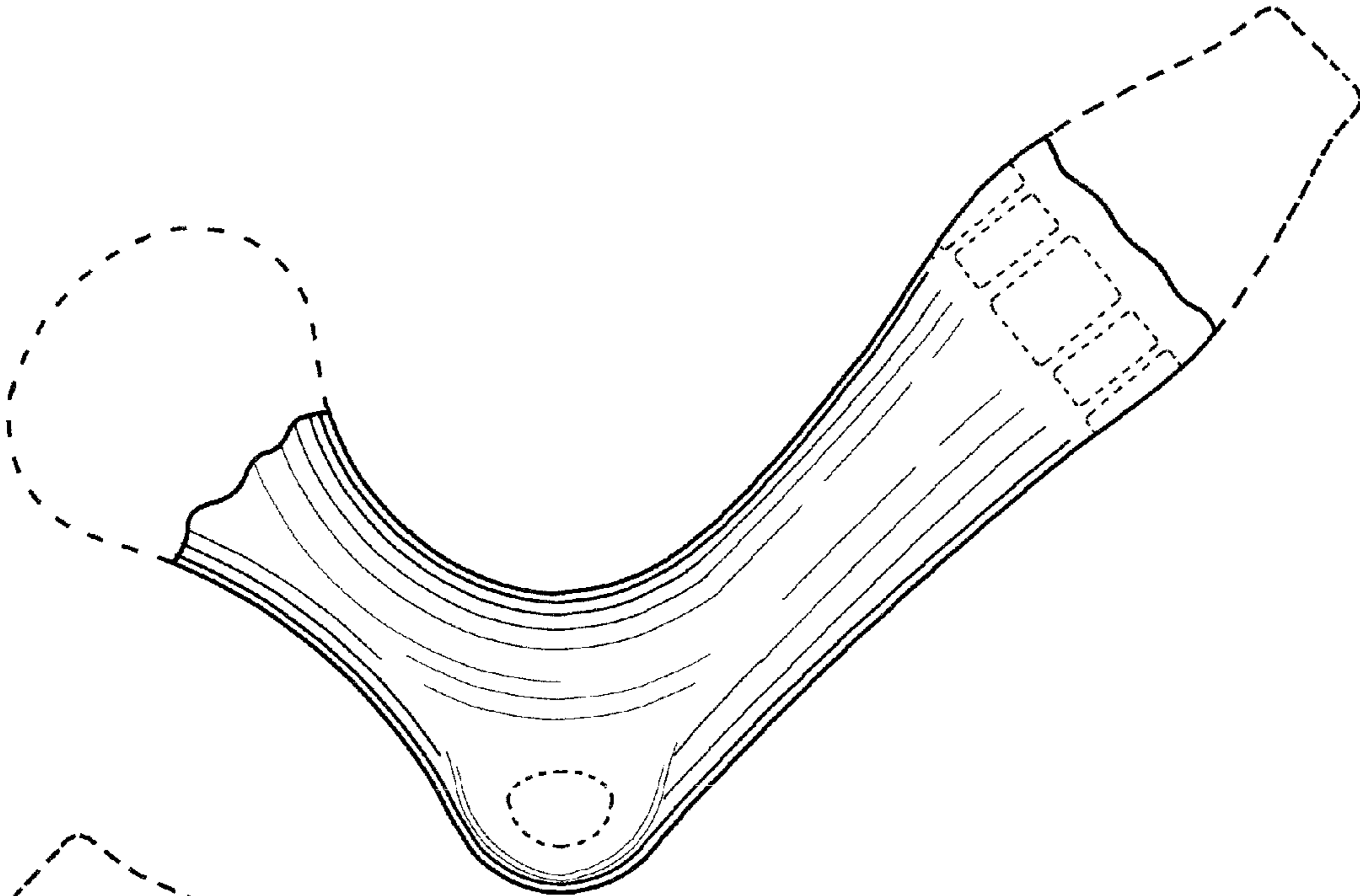


FIG.5

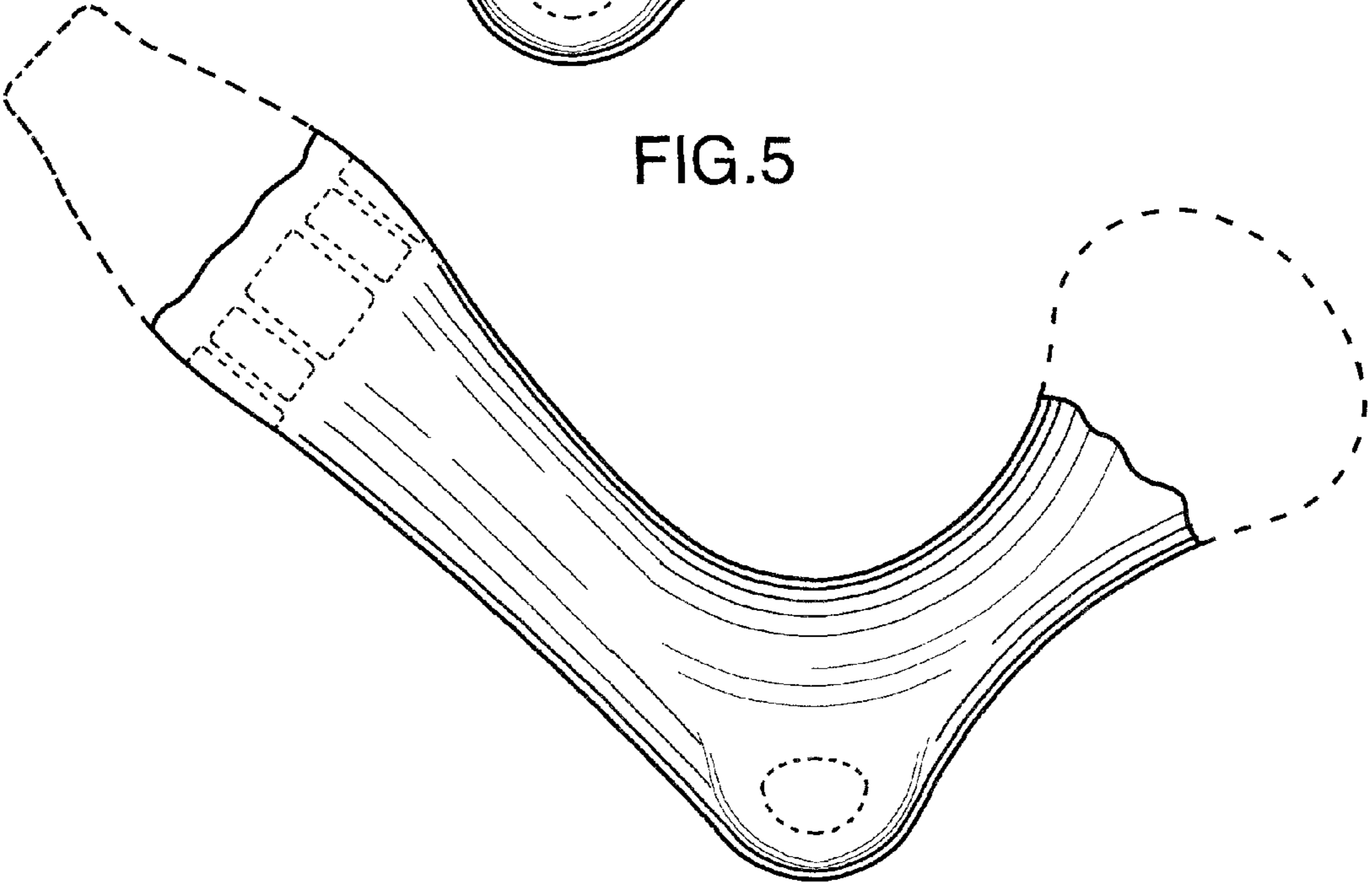


FIG.6

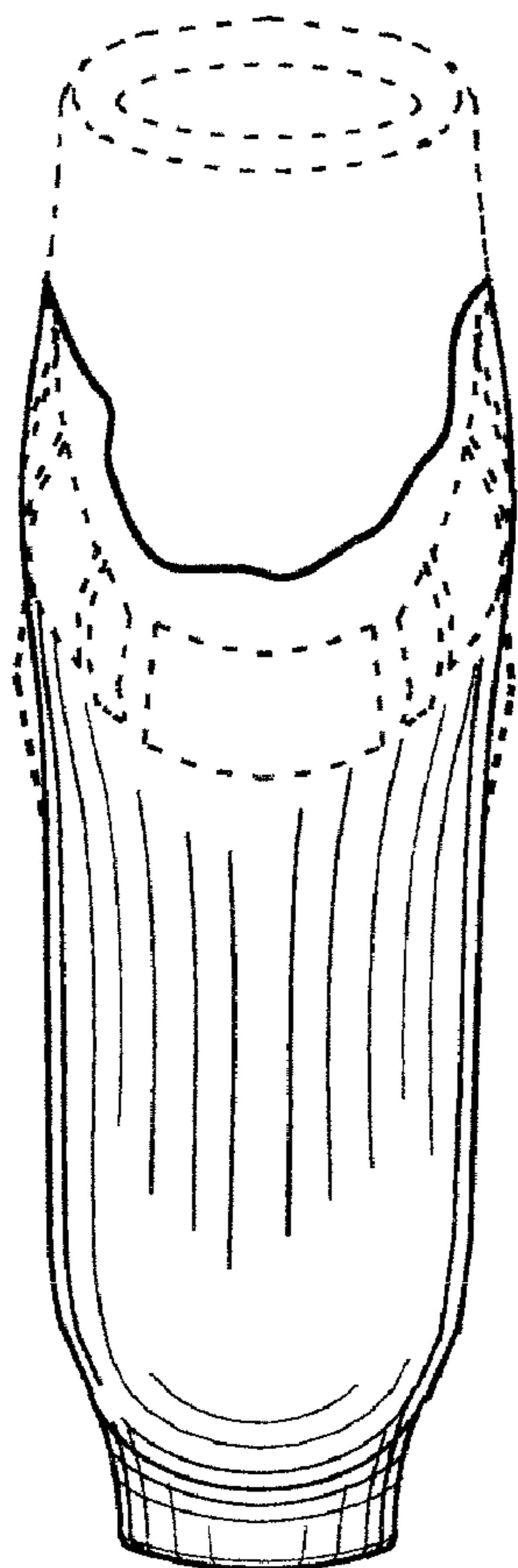


FIG. 7

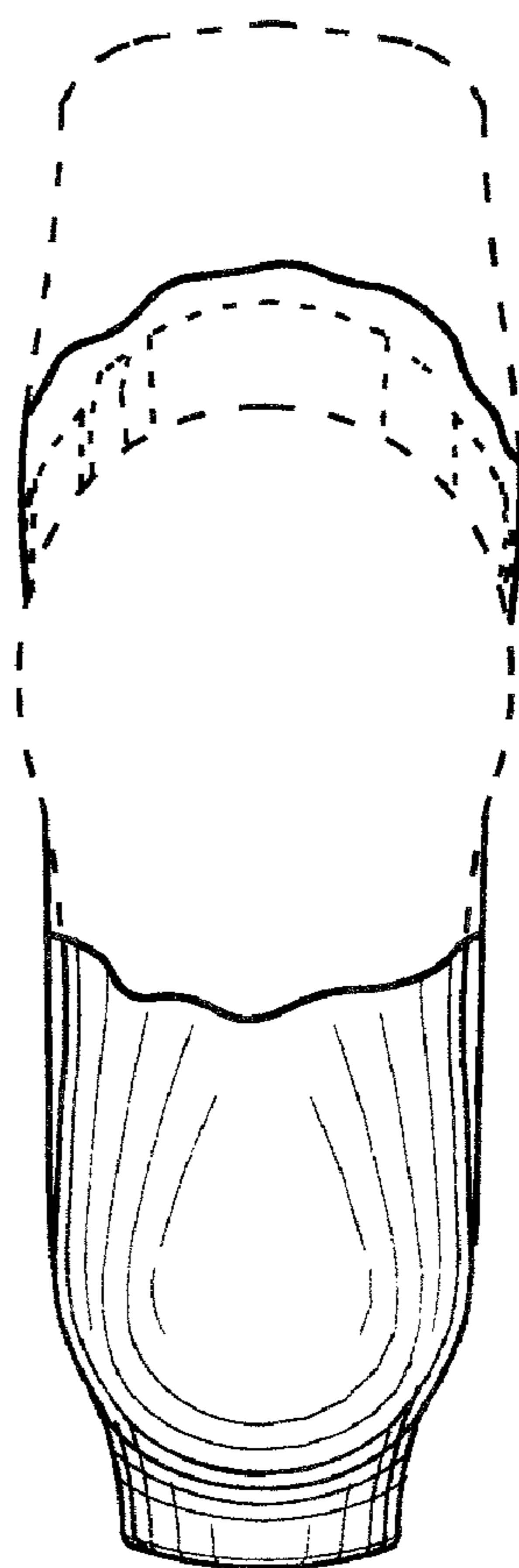


FIG. 8