



US00D641141S

(12) **United States Design Patent**
Nesbitt

(10) **Patent No.:** **US D641,141 S**
(45) **Date of Patent:** **** Jul. 12, 2011**

(54) **INFANT SHOE UPPER**

(75) Inventor: **Karrie Nesbitt**, Yarrow Point, WA (US)

(73) Assignee: **DUKN Enterprises LLC**, Yarrow Point, WA (US)

(**) Term: **14 Years**

(21) Appl. No.: **29/380,372**

(22) Filed: **Dec. 3, 2010**

(51) **LOC (9) Cl.** **02-04**

(52) **U.S. Cl.** **D2/900**

(58) **Field of Classification Search** D2/896-898,
D2/900-902, 946, 952, 969; 36/45, 77 R,
36/50.1, 83, 88, 113, 114, 126-130
See application file for complete search history.

(56) **References Cited**

U.S. PATENT DOCUMENTS

D267,441 S *	1/1983	Clarvit	D2/900
D272,962 S *	3/1984	Clarvit	D2/900
D274,290 S *	6/1984	Migdown	D2/900
D274,291 S *	6/1984	Migdown	D2/900
D294,421 S *	3/1988	Le	D2/900
D294,653 S *	3/1988	Le	D2/900
D301,934 S *	7/1989	Simonin	D2/900
D405,242 S *	2/1999	Gillespie	D2/900
D548,451 S *	8/2007	Mueller	D2/972

* cited by examiner

Primary Examiner — Rob Spear

Assistant Examiner — Rashida C McCoy

(74) *Attorney, Agent, or Firm* — Timothy E. Siegel Patent Law, PLLC; Timothy E. Siegel

(57) **CLAIM**

The ornamental design for an infant shoe upper, as shown and described.

DESCRIPTION

FIG. 1 is a top perspective view of an infant shoe upper showing my new design.

FIG. 2 is a left side elevational view of an infant shoe upper of FIG. 1.

FIG. 3 is a right side elevational view of an infant shoe upper of FIG. 1.

FIG. 4 is a top plan view of an infant shoe upper of FIG. 1.

FIG. 5 is a bottom plan view of an infant shoe upper of FIG. 1.

FIG. 6 is a rear elevational view of an infant shoe upper of FIG. 1; and,

FIG. 7 is a front elevational view of an infant shoe upper of FIG. 1.

The dashed lines illustrate environmental structure and form no part of the claimed design.

1 Claim, 2 Drawing Sheets

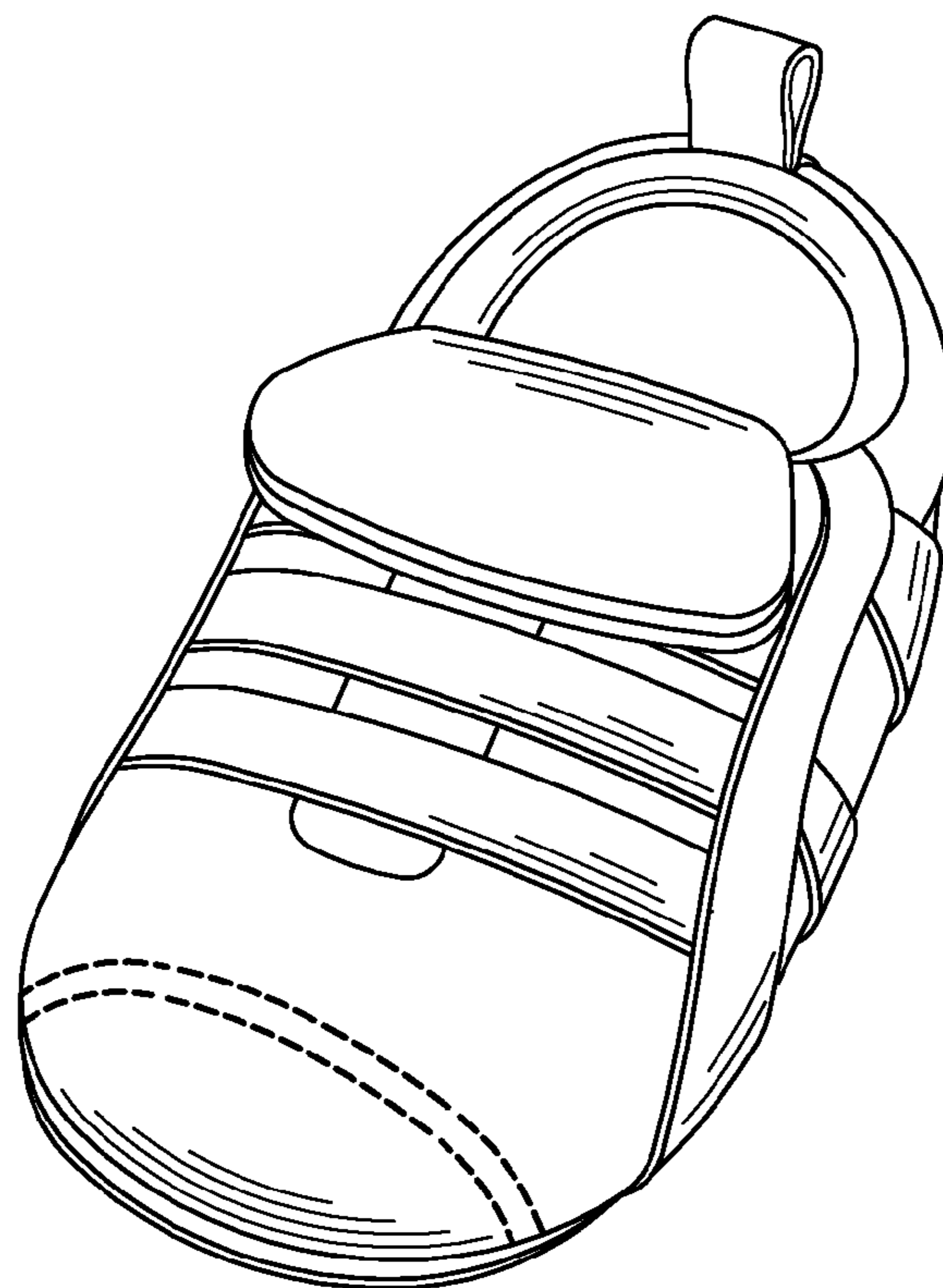


FIG. 1

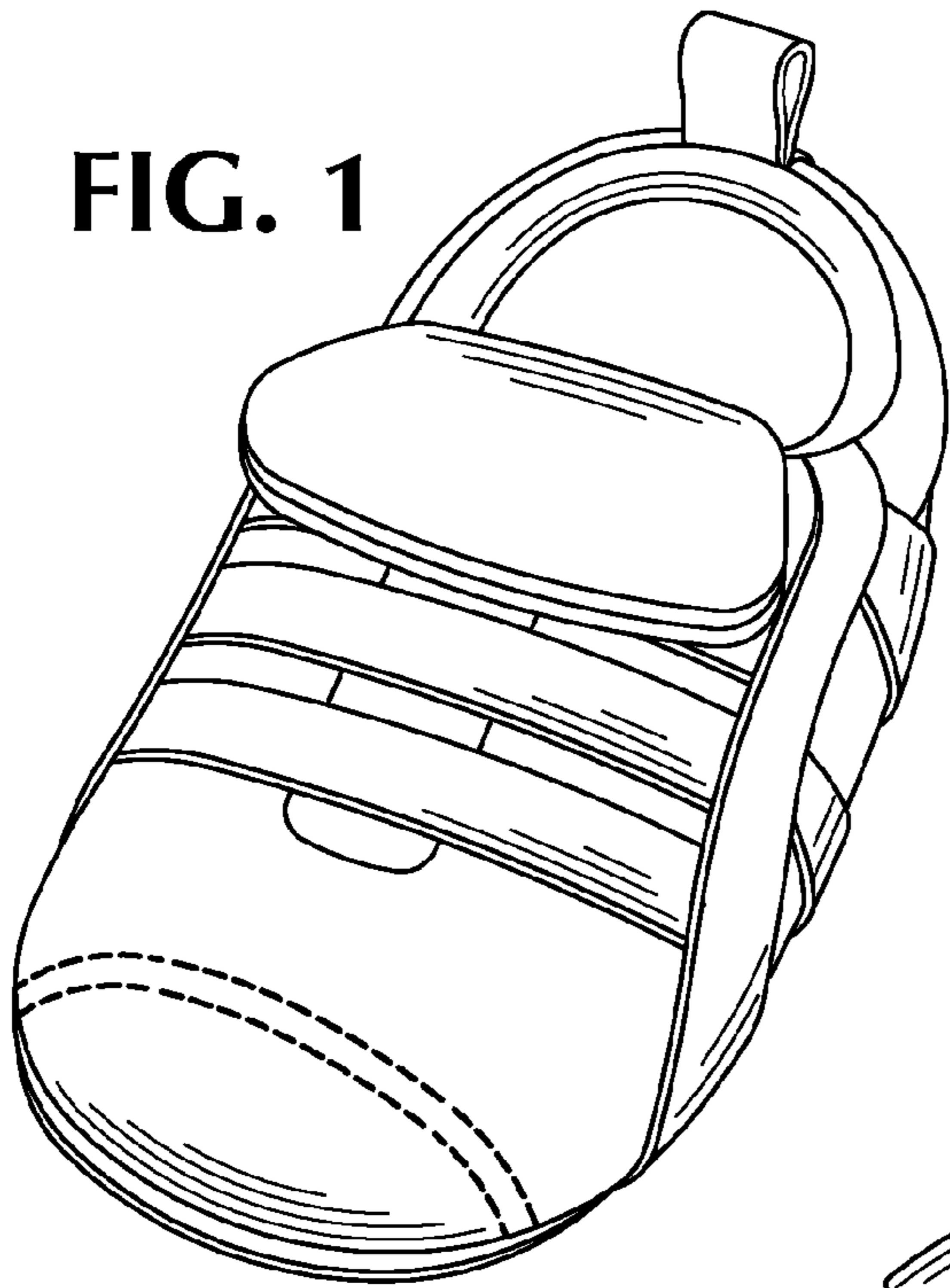


FIG. 2

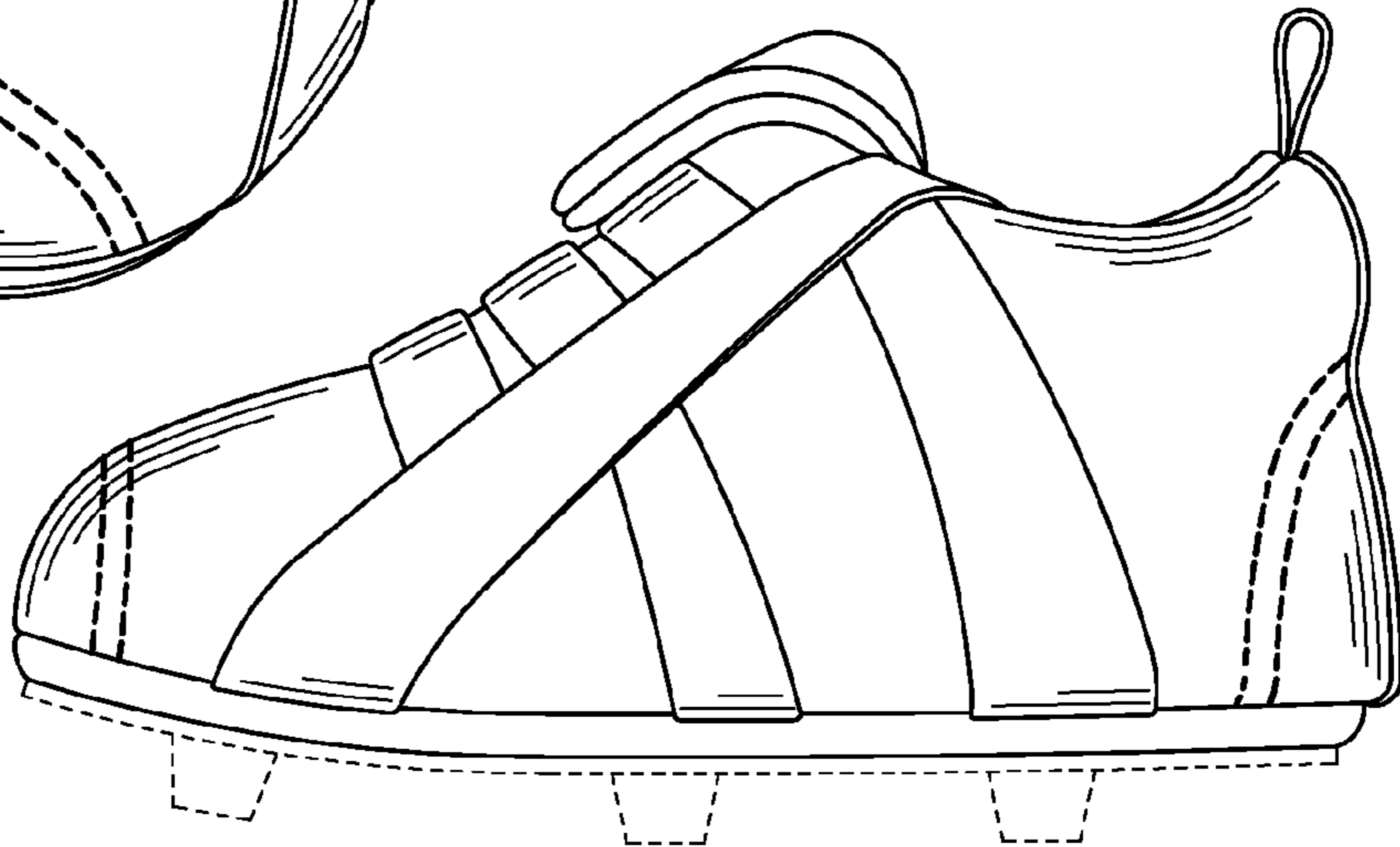
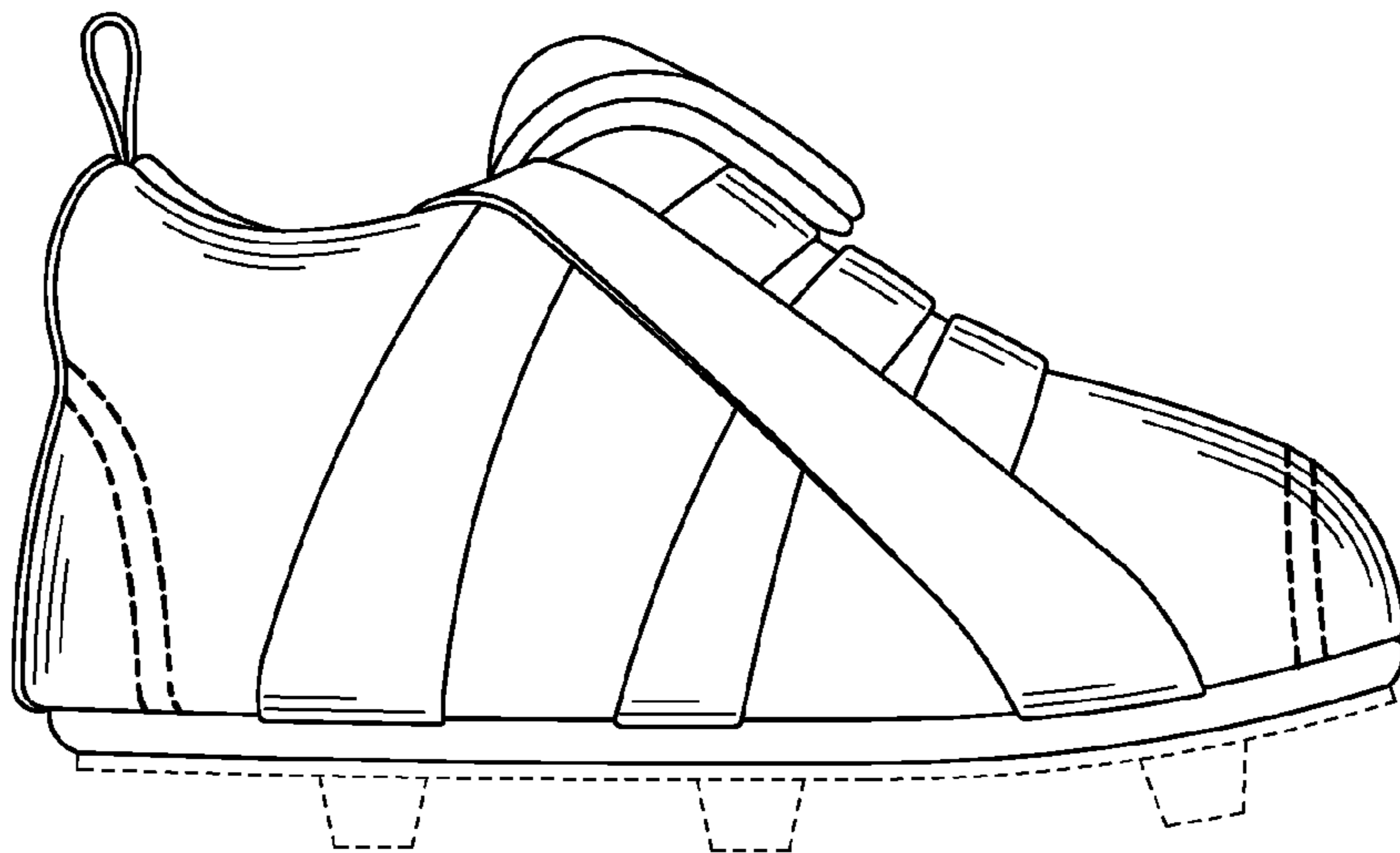


FIG. 3



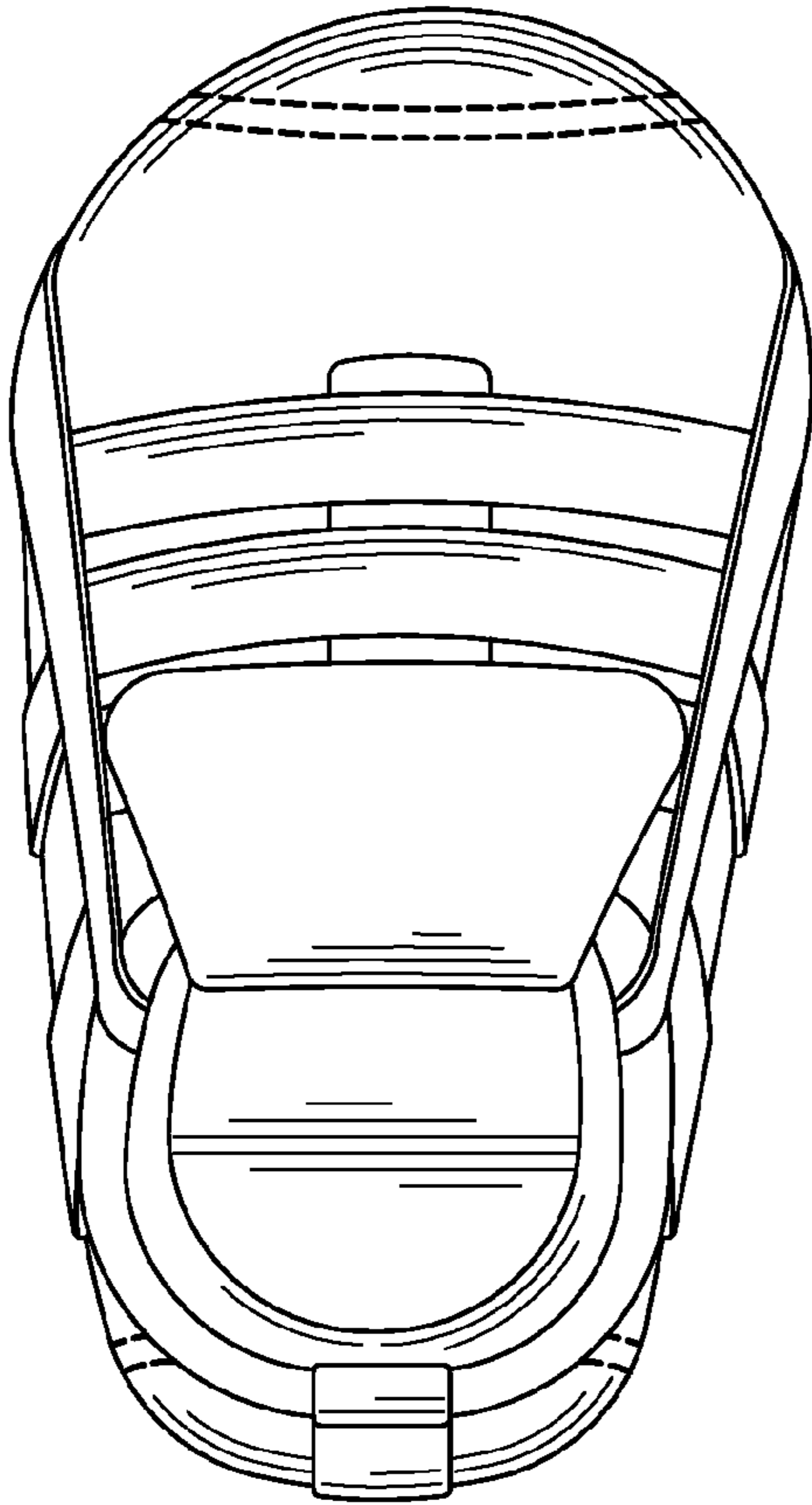


FIG. 4

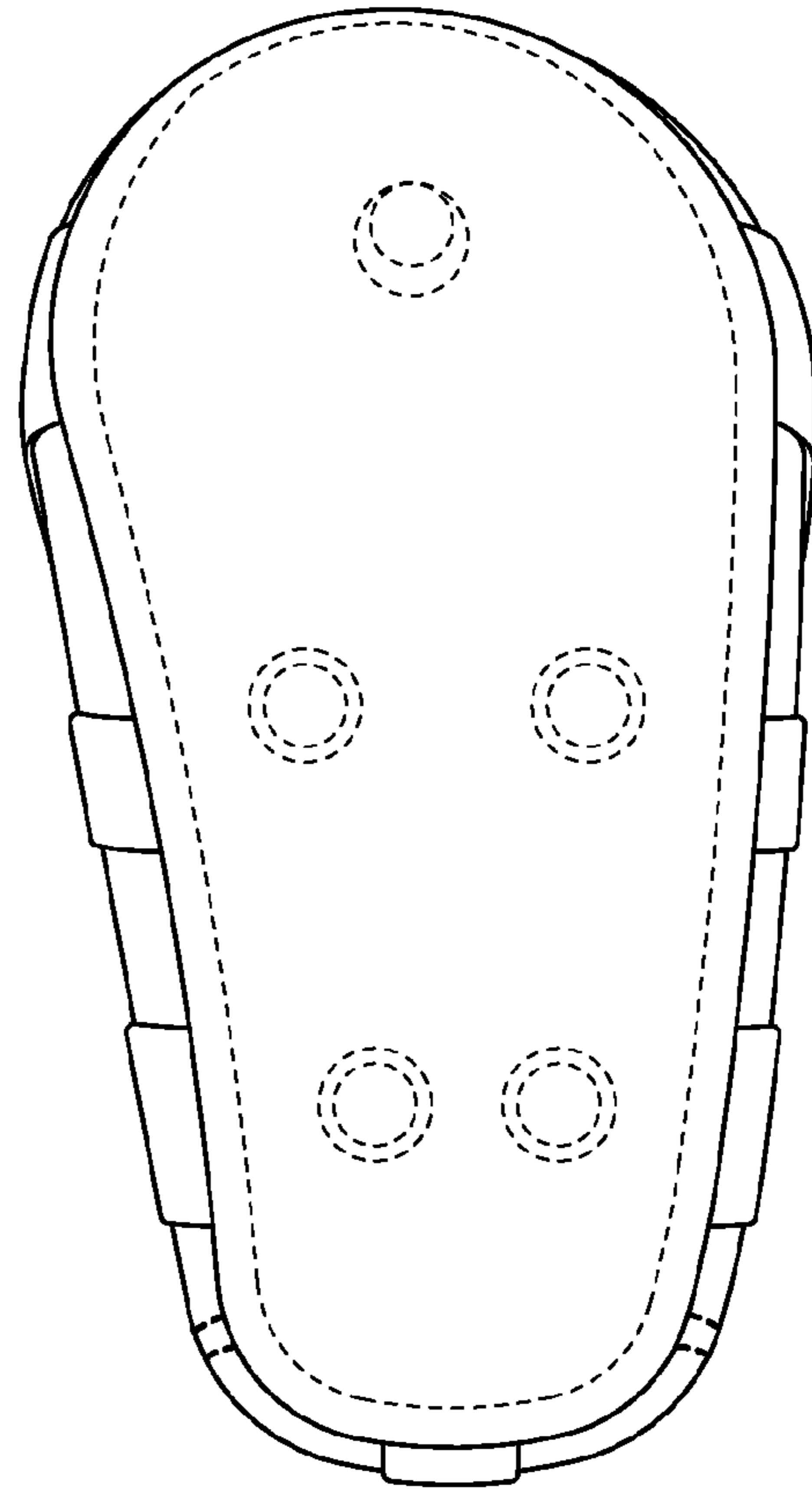


FIG. 5

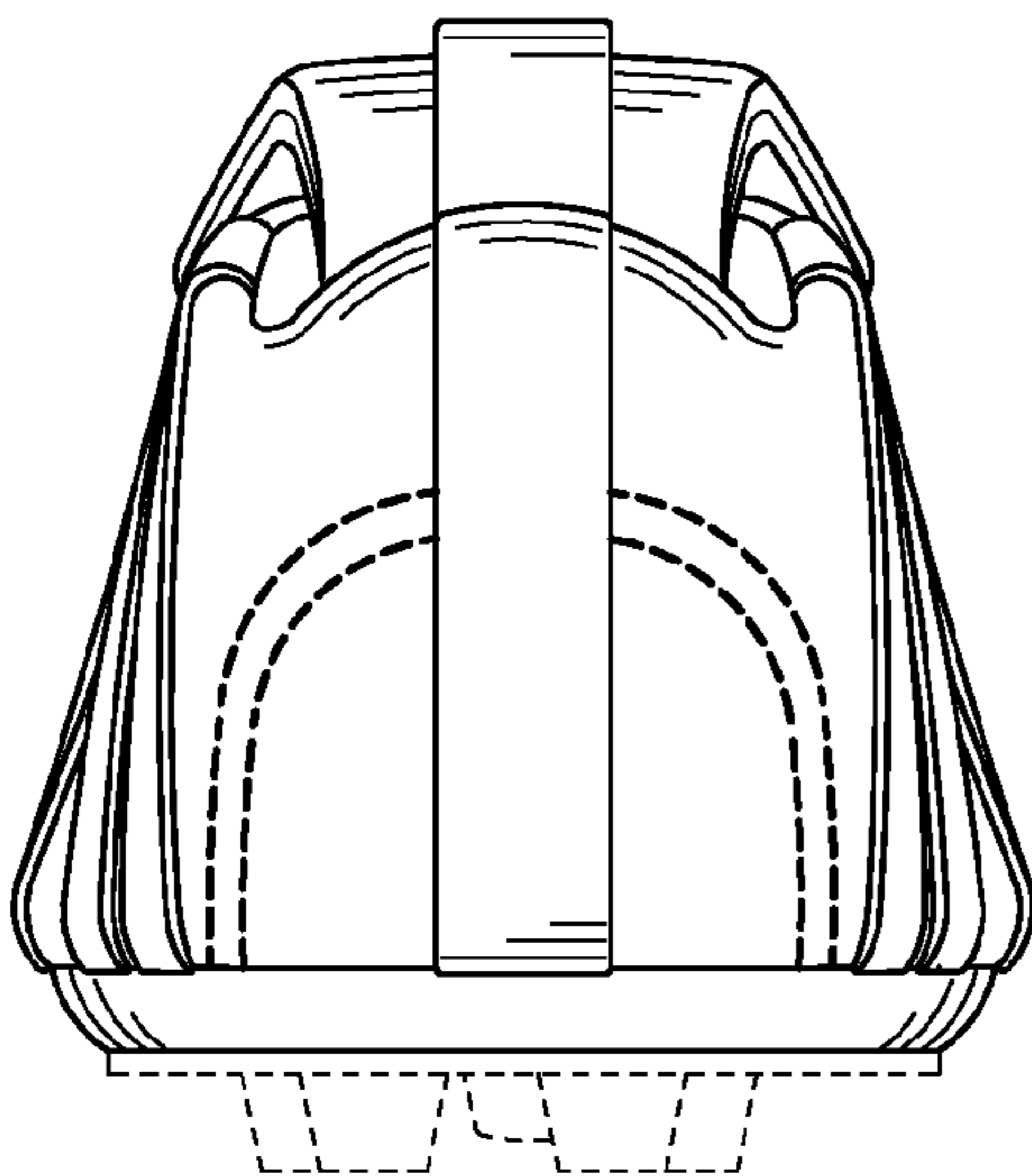


FIG. 6

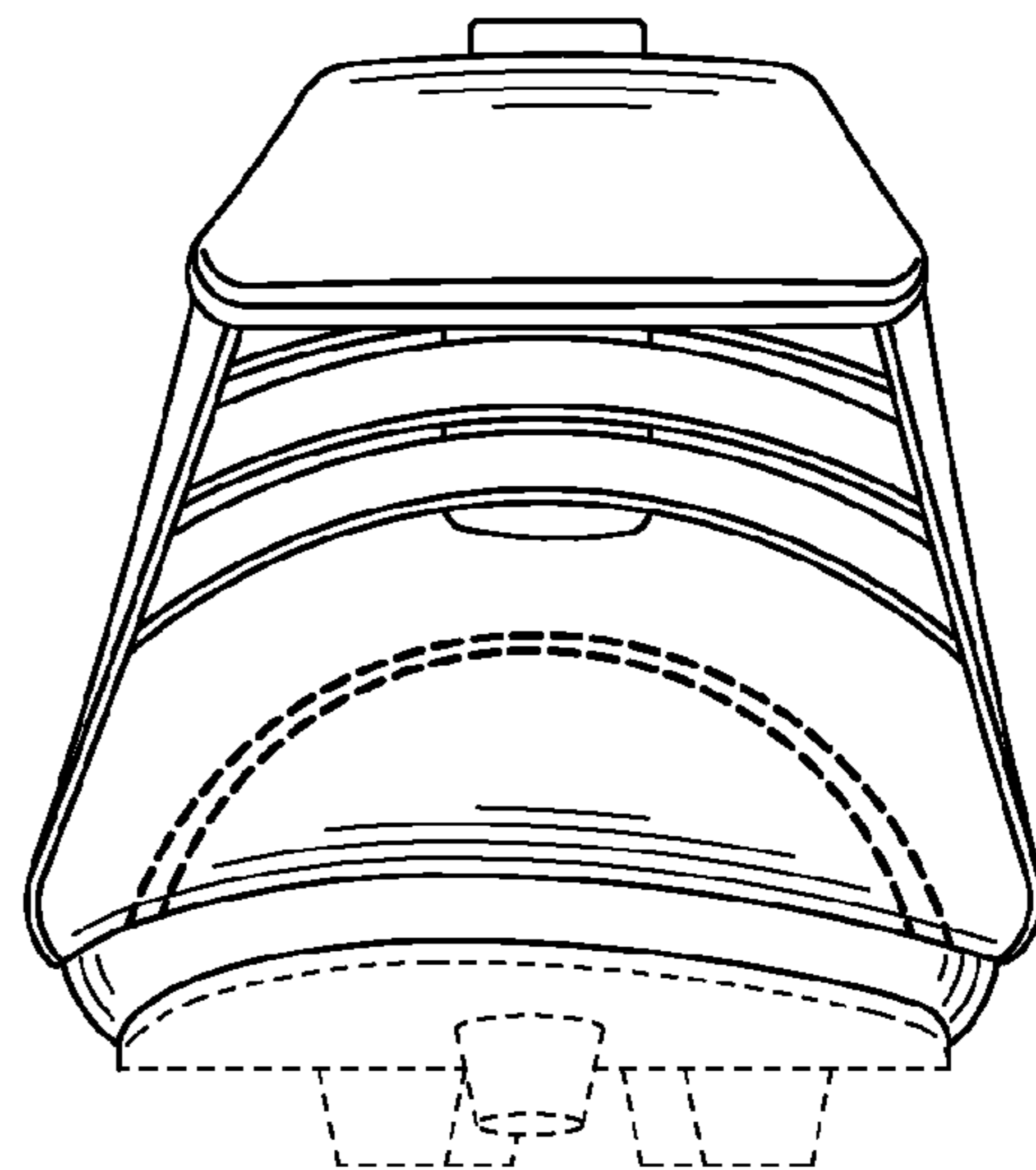


FIG. 7