



US00D641136S

(12) **United States Design Patent**
Abrams et al.

(10) **Patent No.:** **US D641,136 S**

(45) **Date of Patent:** **** Jul. 12, 2011**

(54) **HOODED SLEEPING BAG**

(75) Inventors: **Brian Abrams**, Spokane, WA (US); **Eric Sachs**, Rossland (CA)

(73) Assignee: **Blackhawk Industries Product Group Unlimited LLC**, Norfolk, VA (US)

(**) Term: **14 Years**

(21) Appl. No.: **29/370,725**

(22) Filed: **Aug. 27, 2010**

Related U.S. Application Data

(63) Continuation-in-part of application No. 29/294,913, filed on Feb. 2, 2008, now Pat. No. Des. 624,279.

(51) **LOC (9) Cl.** **02-02**

(52) **U.S. Cl.** **D2/719**

(58) **Field of Classification Search** D2/718, D2/719; 2/69, 69.5; D6/603; 5/413 R
See application file for complete search history.

(56) **References Cited**

U.S. PATENT DOCUMENTS

D98,603	S *	2/1936	McCarter et al.	D2/719
2,102,251	A *	12/1937	Arst	2/84
D156,502	S *	12/1949	Godfrey	D2/719
2,579,276	A *	12/1951	Schworm, Jr.	2/69.5
2,730,721	A *	1/1956	Van Veen	5/413 R
4,507,805	A *	4/1985	Calutoiu	2/69.5
5,560,043	A *	10/1996	Armstrong	2/69.5
5,815,833	A *	10/1998	Kuo	2/69.5
7,263,730	B2 *	9/2007	Crawford	5/413 R

7,647,656	B2 *	1/2010	Smith	5/413 R
7,766,950	B2 *	8/2010	Castellani et al.	607/108
D624,279	S *	9/2010	Adams et al.	D2/719
7,810,170	B1 *	10/2010	Guthrie	2/69.5
D626,310	S *	11/2010	Cruz	D2/758
2005/0125874	A1 *	6/2005	DeVore	2/69
2010/0313323	A1 *	12/2010	Tennelle	2/69

* cited by examiner

Primary Examiner — Ian Simmons

Assistant Examiner — Rashida Johnson

(74) *Attorney, Agent, or Firm* — Wooten & Shaddock, PLC

(57) **CLAIM**

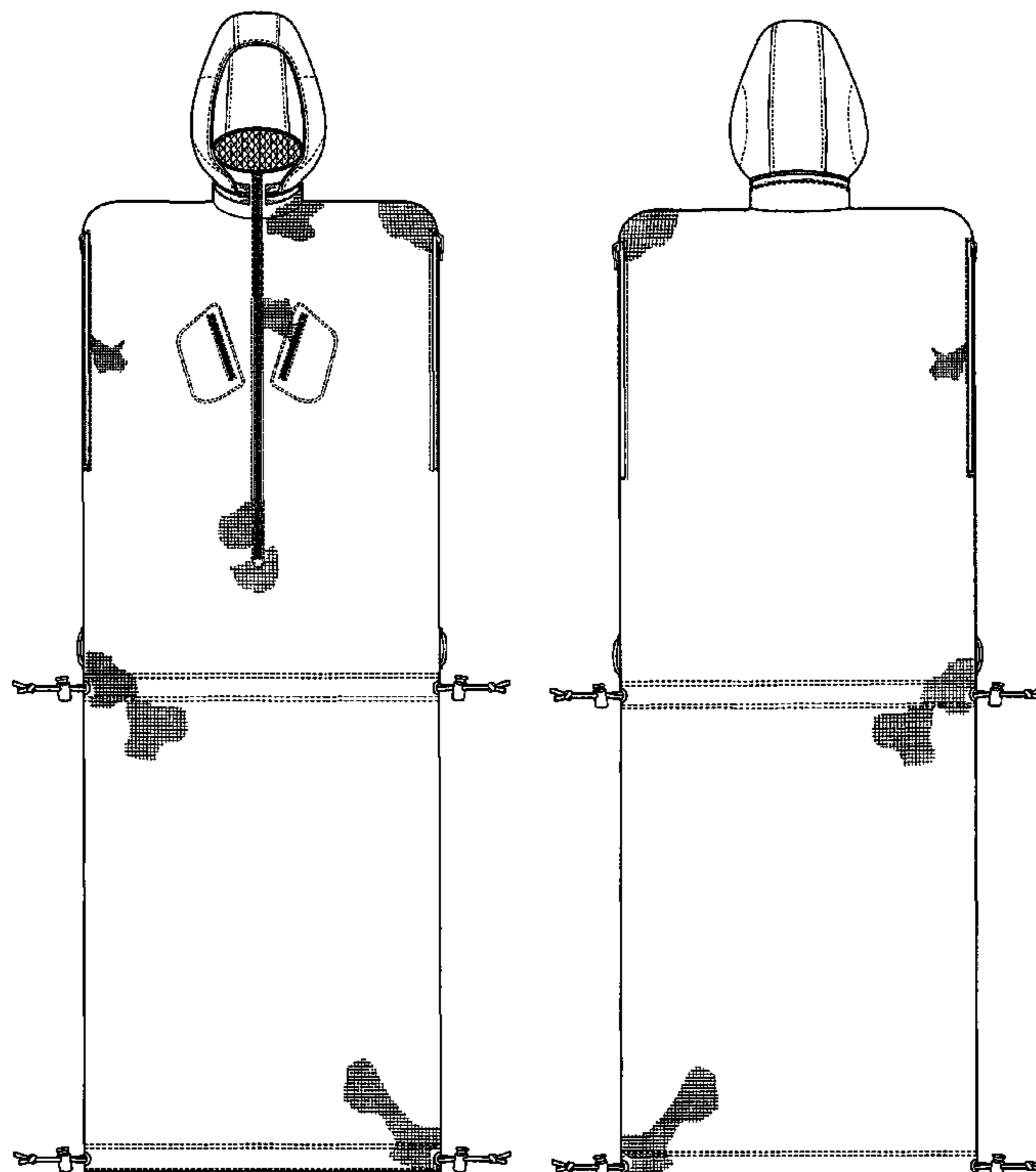
The ornamental design for a hooded sleeping bag, substantially as shown and described.

DESCRIPTION

FIG. 1 is a front view of a hooded sleeping bag, showing our new design;
FIG. 2 is a rear view thereof;
FIG. 3 is a left side view thereof;
FIG. 4 is a right side view thereof;
FIG. 5 is a top view thereof;
FIG. 6 is a bottom view thereof;
FIG. 7 is a front view of a second embodiment of the hooded sleeping bag, showing an expanded lower portion; and,
FIG. 8 is a rear view of FIG. 7.

The broken lines in FIG. 6 represent the portions of the sleeping bag, which form no part of the claim design. The remaining broken lines, shown throughout the views, represent stitching and form no part of the claim design.

1 Claim, 6 Drawing Sheets



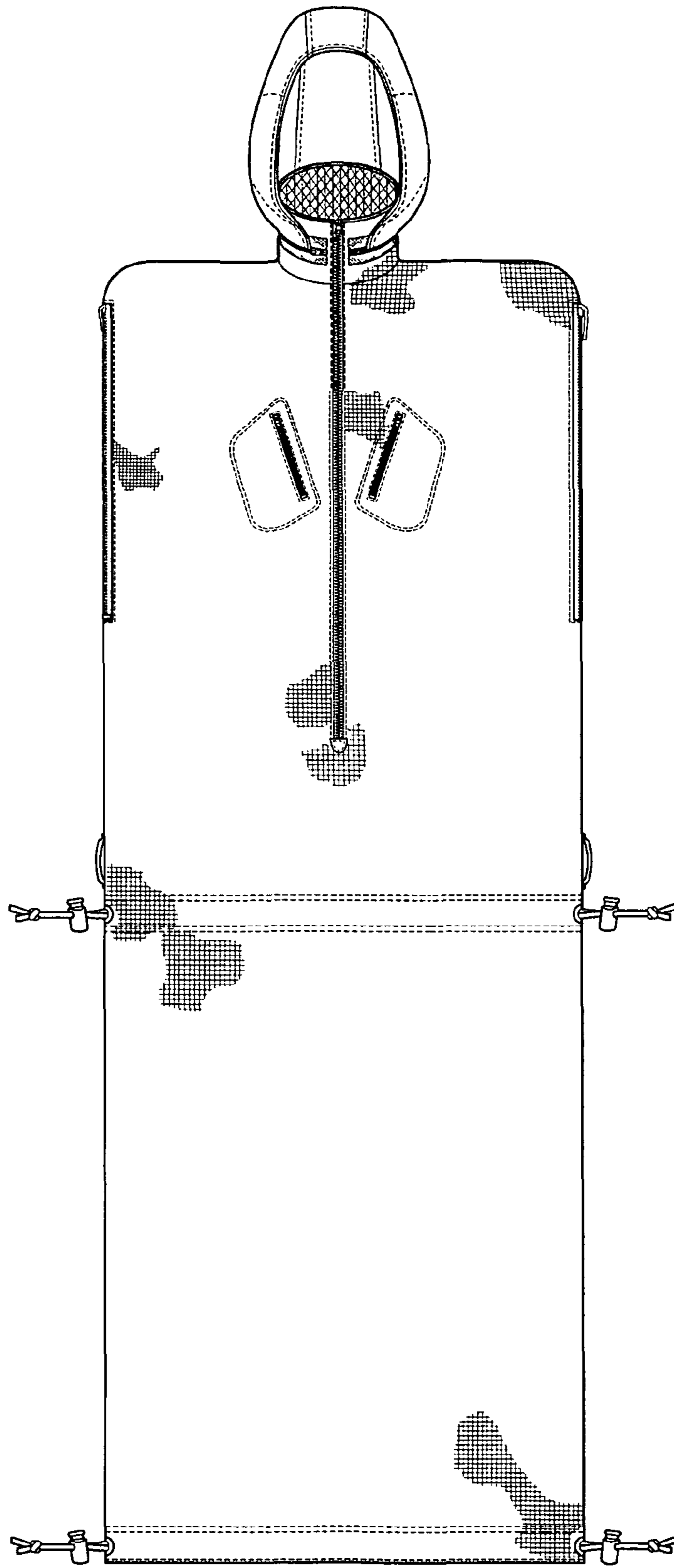


FIG. 1

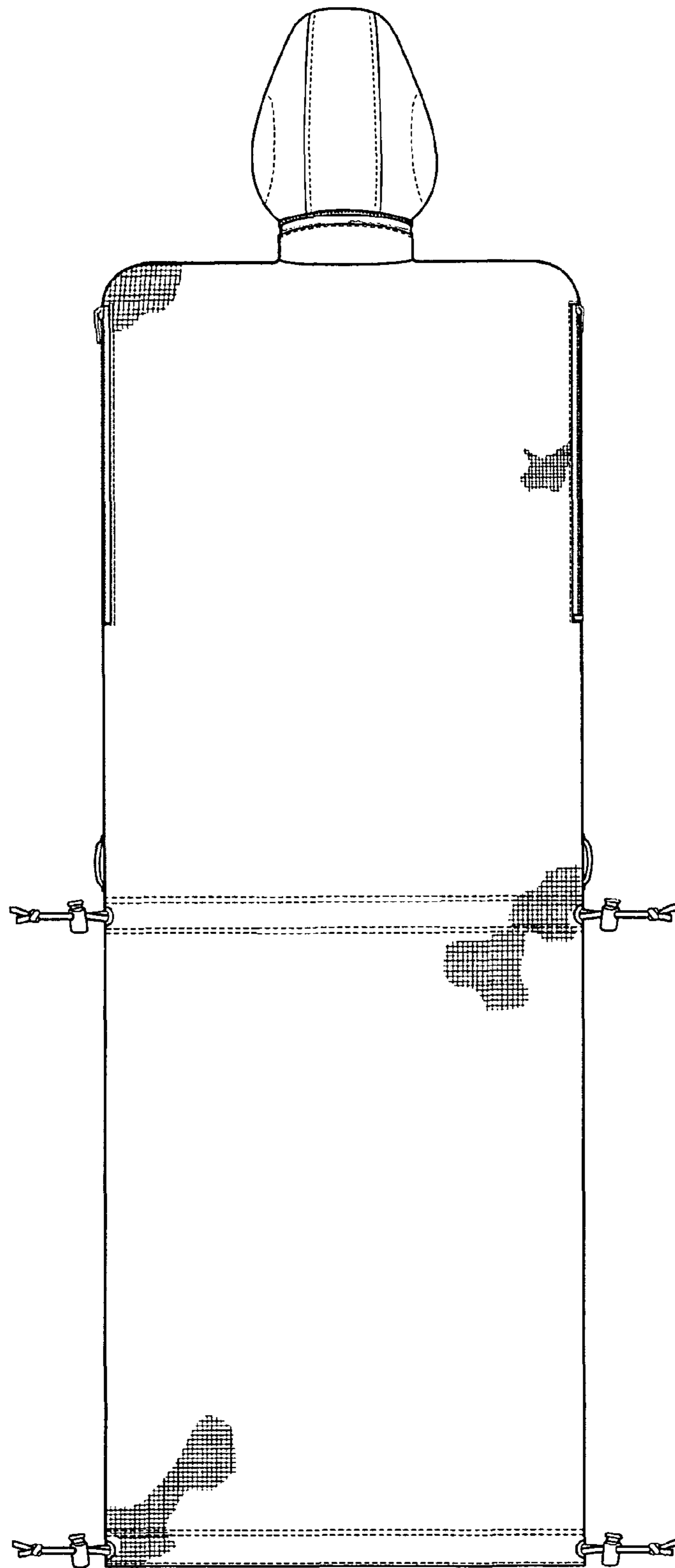


FIG. 2

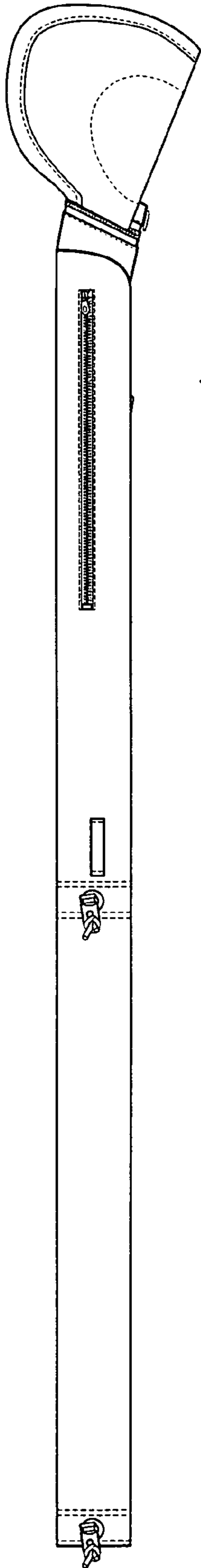


FIG. 3

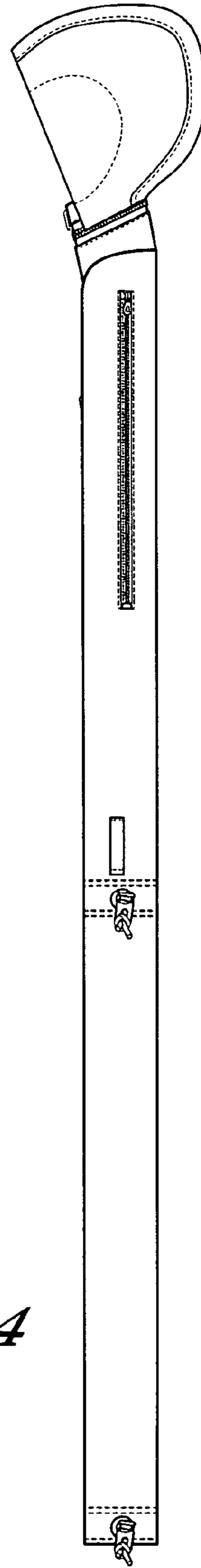


FIG. 4

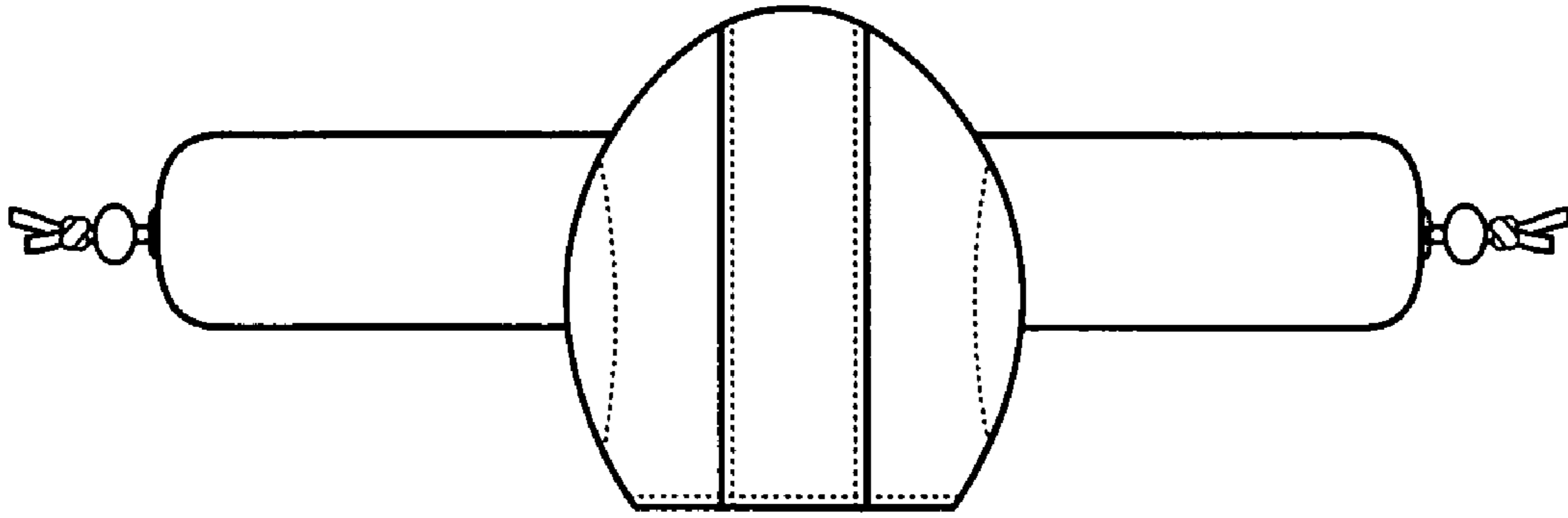


FIG. 5

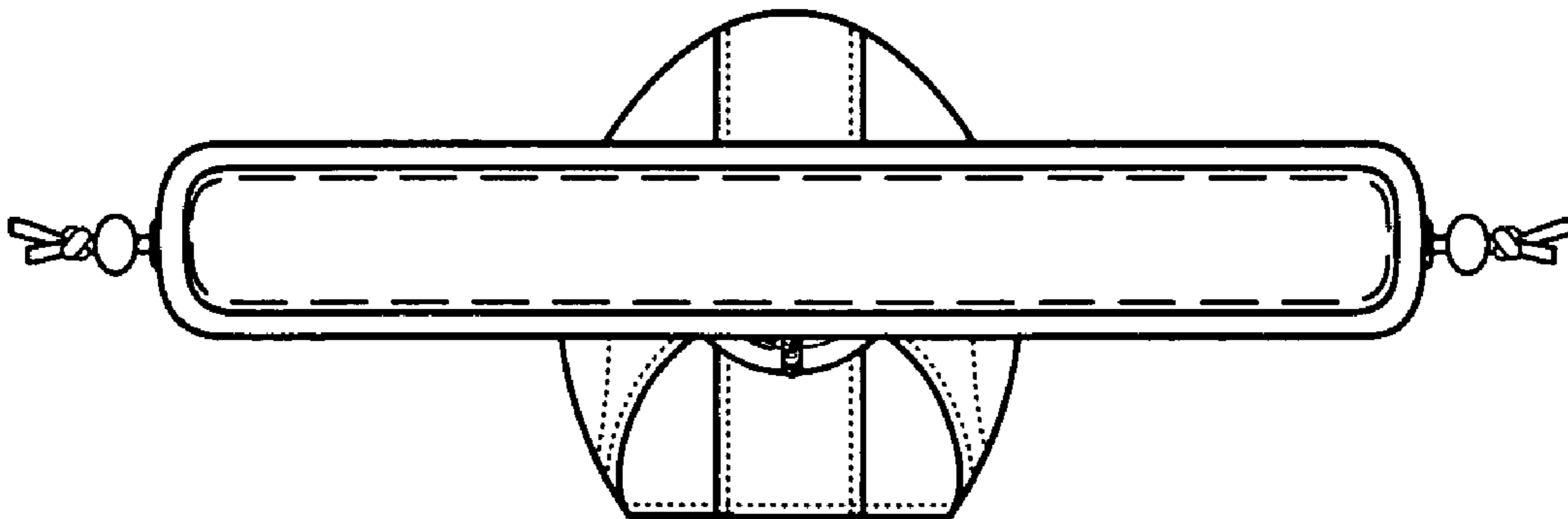


FIG. 6

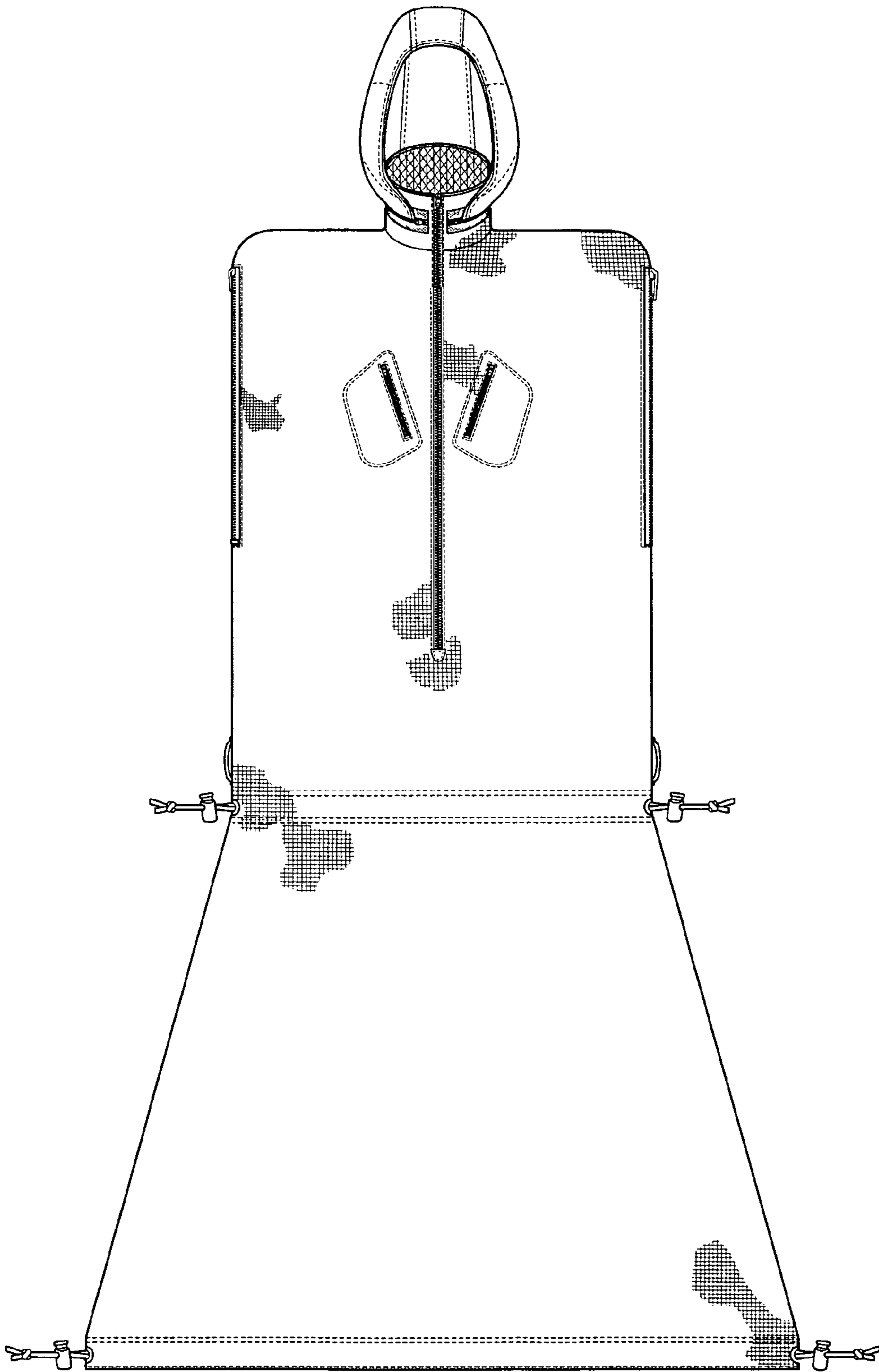


FIG. 7

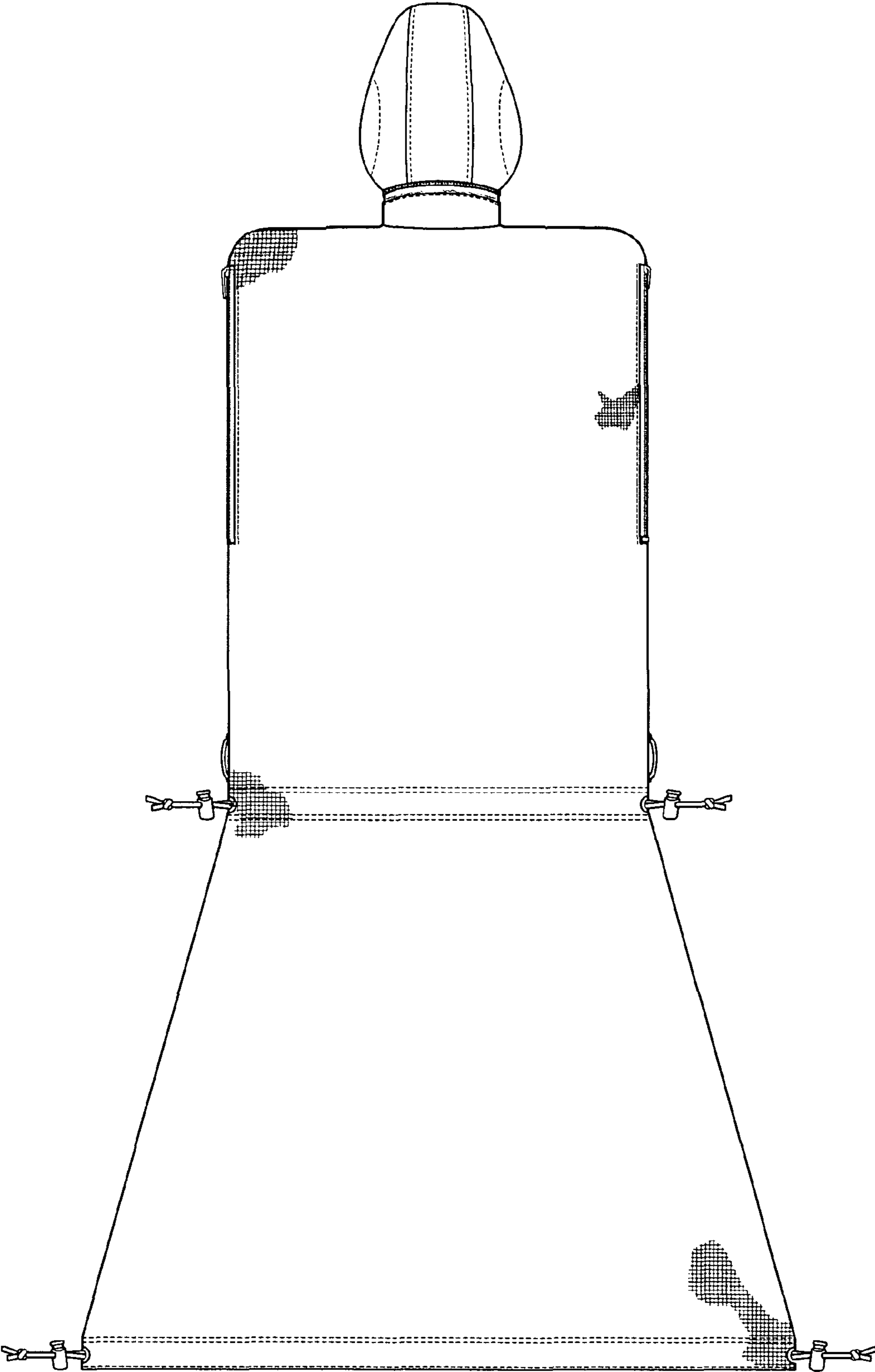


FIG. 8