



US00D641128S

(12) **United States Design Patent**
Zarabi

(10) **Patent No.:** **US D641,128 S**
(45) **Date of Patent:** **** Jul. 12, 2011**

(54) **SUPPORTIVE APPAREL**

(75) Inventor: **Frank Zarabi**, Commerce, CA (US)

(73) Assignee: **Rock Fit, LLC**, Commerce, CA (US)

(**) Term: **14 Years**

(21) Appl. No.: **29/362,256**

(22) Filed: **May 21, 2010**

(51) **LOC (9) Cl.** **02-01**

(52) **U.S. Cl.** **D2/703**

(58) **Field of Classification Search** D2/700,
D2/706-708, 711, 731, 737, 701, 703, 840,
D2/717; 2/76, 113, 118, 913, 111, 48; 450/50,
450/65, 70, 1

See application file for complete search history.

(56) **References Cited**

U.S. PATENT DOCUMENTS

2,169,164	A *	8/1939	Redmond	2/111
2,469,246	A *	5/1949	Smicker	2/113
3,984,876	A *	10/1976	Sutton	2/48
D260,445	S *	9/1981	Schreiber et al.	D2/700
D263,005	S *	2/1982	Joseph	D2/731

4,412,357	A *	11/1983	Mincher	2/118
4,538,614	A *	9/1985	Henderson	450/70
6,206,752	B1 *	3/2001	Fagin et al.	450/1
D525,412	S *	7/2006	O'Mahony	D2/717
D623,377	S *	9/2010	Schindler	D2/700

* cited by examiner

Primary Examiner — Karen E Eldridge Powers

(74) *Attorney, Agent, or Firm* — Tutunjian & Bitetto, P.C.

(57) **CLAIM**

The ornamental design for an supportive apparel, as shown and described.

DESCRIPTION

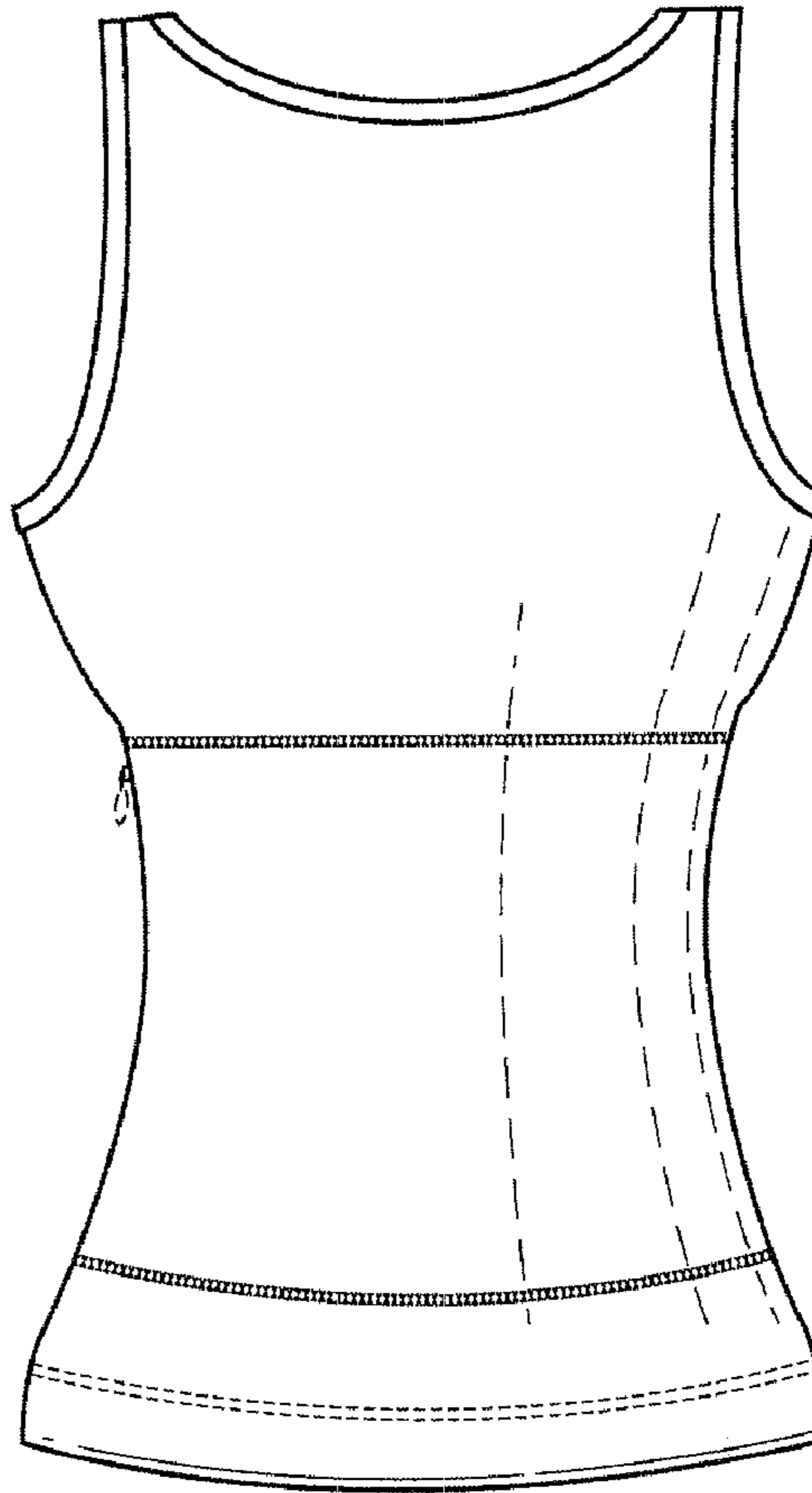
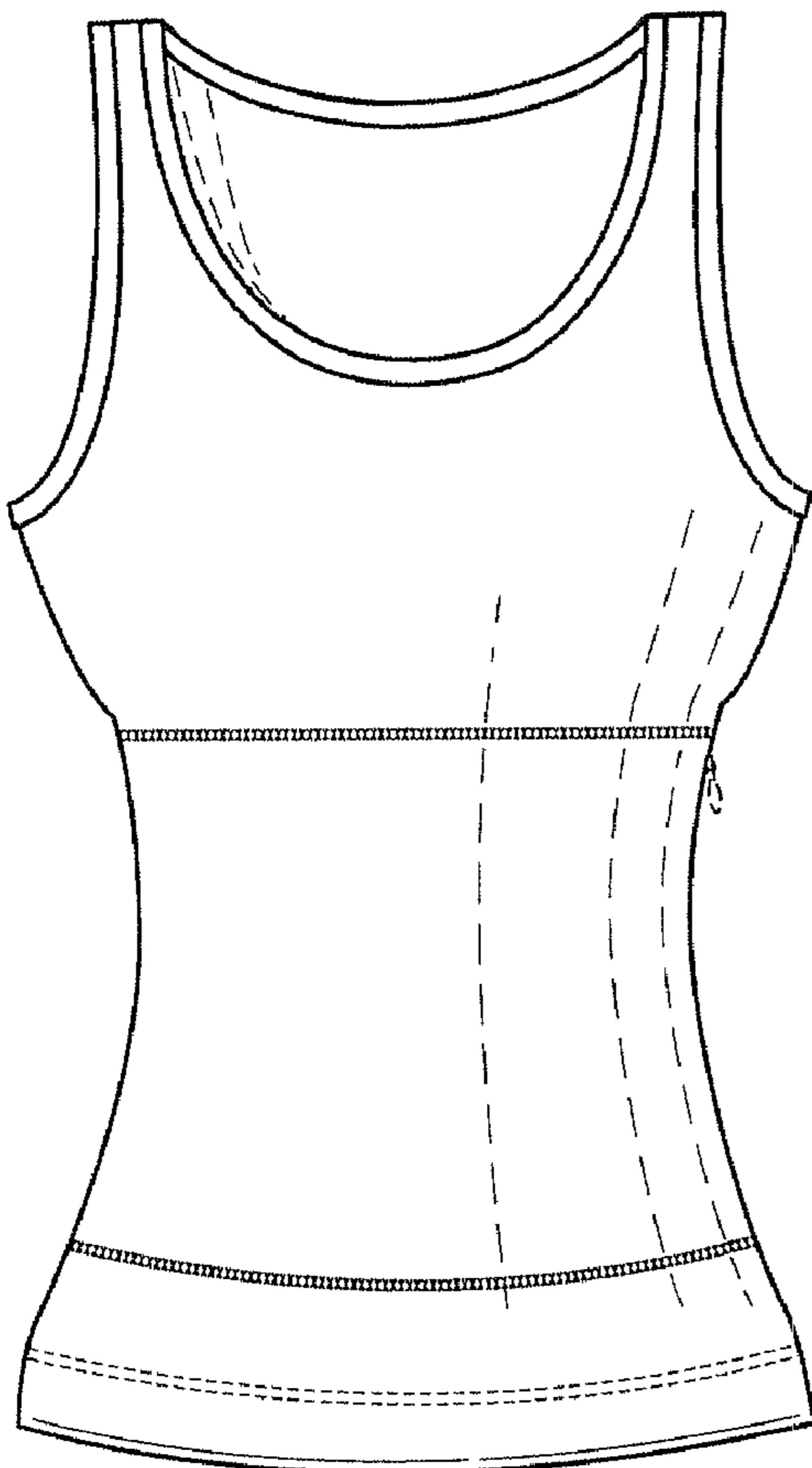
FIG. 1 is a front view of an supportive apparel showing my new design.

FIG. 2 is a rear view of the supportive apparel of FIG. 1; and, FIG. 3 is a front view of the inside construction of the supportive apparel of FIG. 1.

The broken lines shown in FIGS. 1-3 represent unclaimed portions of the supportive apparel, except for the two horizontal lines that occur near the bottom edge of the skirt, which represent stitching.

The stippling in the drawings represents texture.

1 Claim, 1 Drawing Sheet



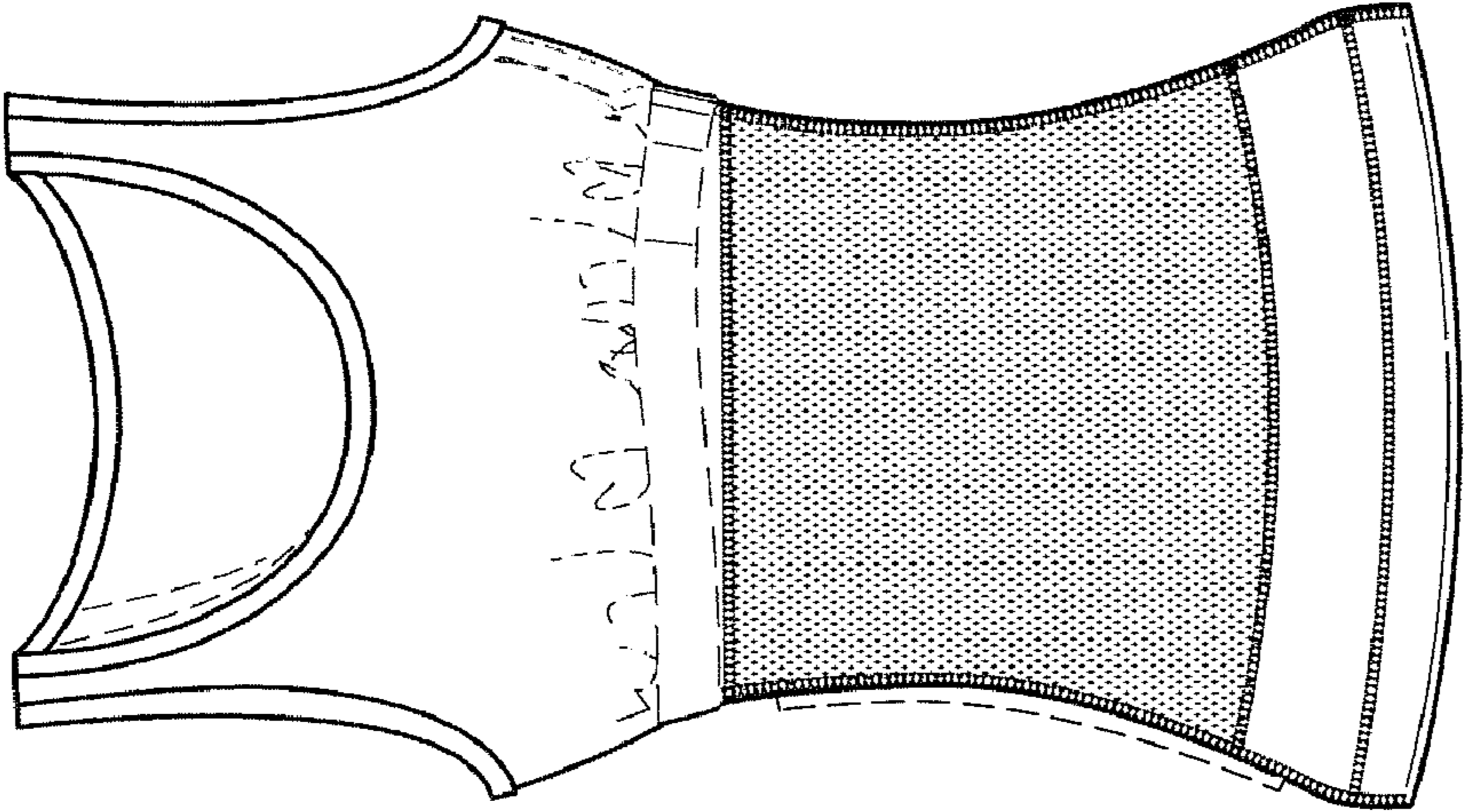


FIG. 3

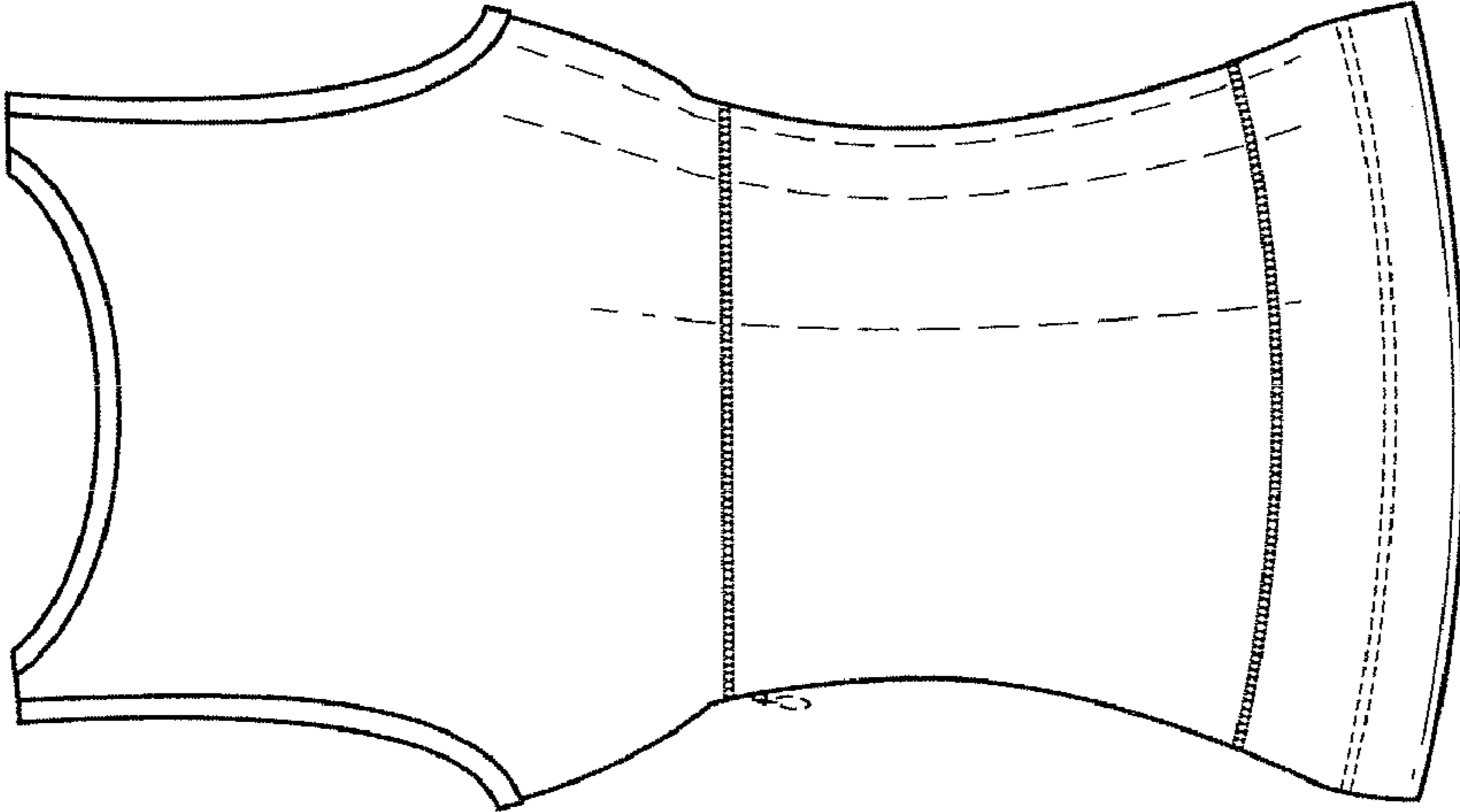


FIG. 2

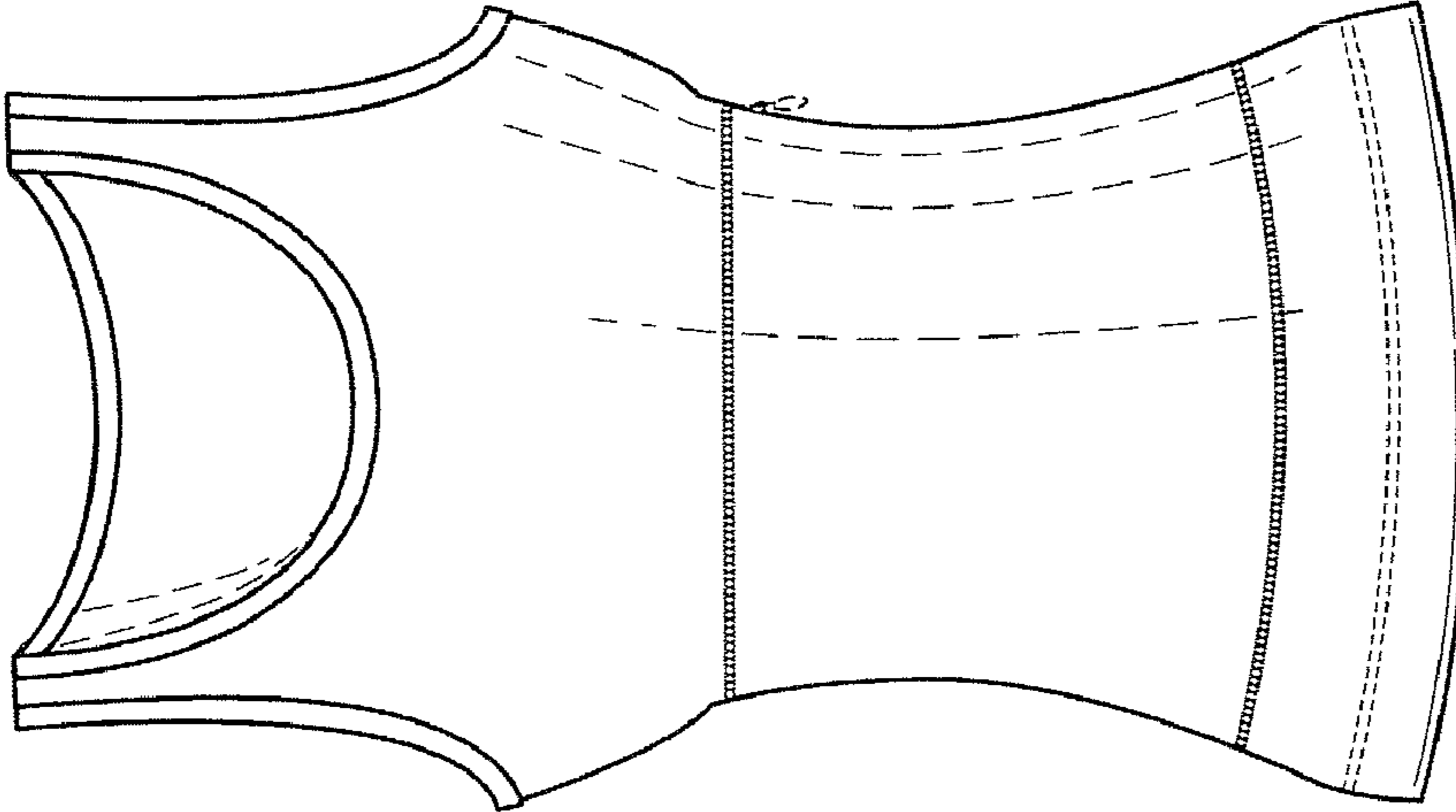


FIG. 1