



US00D641125S

(12) **United States Design Patent**  
**McConnell**

(10) **Patent No.:** **US D641,125 S**

(45) **Date of Patent:** **\*\* Jul. 5, 2011**

(54) **CREEPER**

(75) Inventor: **Dale McConnell**, Holland, MI (US)

(73) Assignee: **Colovos Company**, Chicago, OH (US)

(\*\*) Term: **14 Years**

(21) Appl. No.: **29/369,067**

(22) Filed: **Sep. 1, 2010**

(51) **LOC (9) Cl.** ..... **12-02**

(52) **U.S. Cl.** ..... **D34/23**

(58) **Field of Classification Search** ..... D34/12-27;  
280/32.6, 32.5, 79.11, 79.2, 79.7  
See application file for complete search history.

(56) **References Cited**

U.S. PATENT DOCUMENTS

D384,466	S	*	9/1997	Taylor	.....	D34/23
5,730,449	A	*	3/1998	Miles	.....	280/32.6
D406,683	S	*	3/1999	Taylor et al.	.....	D34/23
D460,237	S	*	7/2002	Hart	.....	D34/23

6,705,622	B2	*	3/2004	Whiteside	.....	280/32.6
6,871,861	B2	*	3/2005	Hernandez, Jr.	.....	280/32.6
D539,002	S	*	3/2007	Curry	.....	D34/27
D556,419	S	*	11/2007	Whiteside et al.	.....	D34/23
2005/0098967	A1	*	5/2005	Hernandez, Jr.	.....	280/32.6

\* cited by examiner

*Primary Examiner* — Cynthia Ramirez

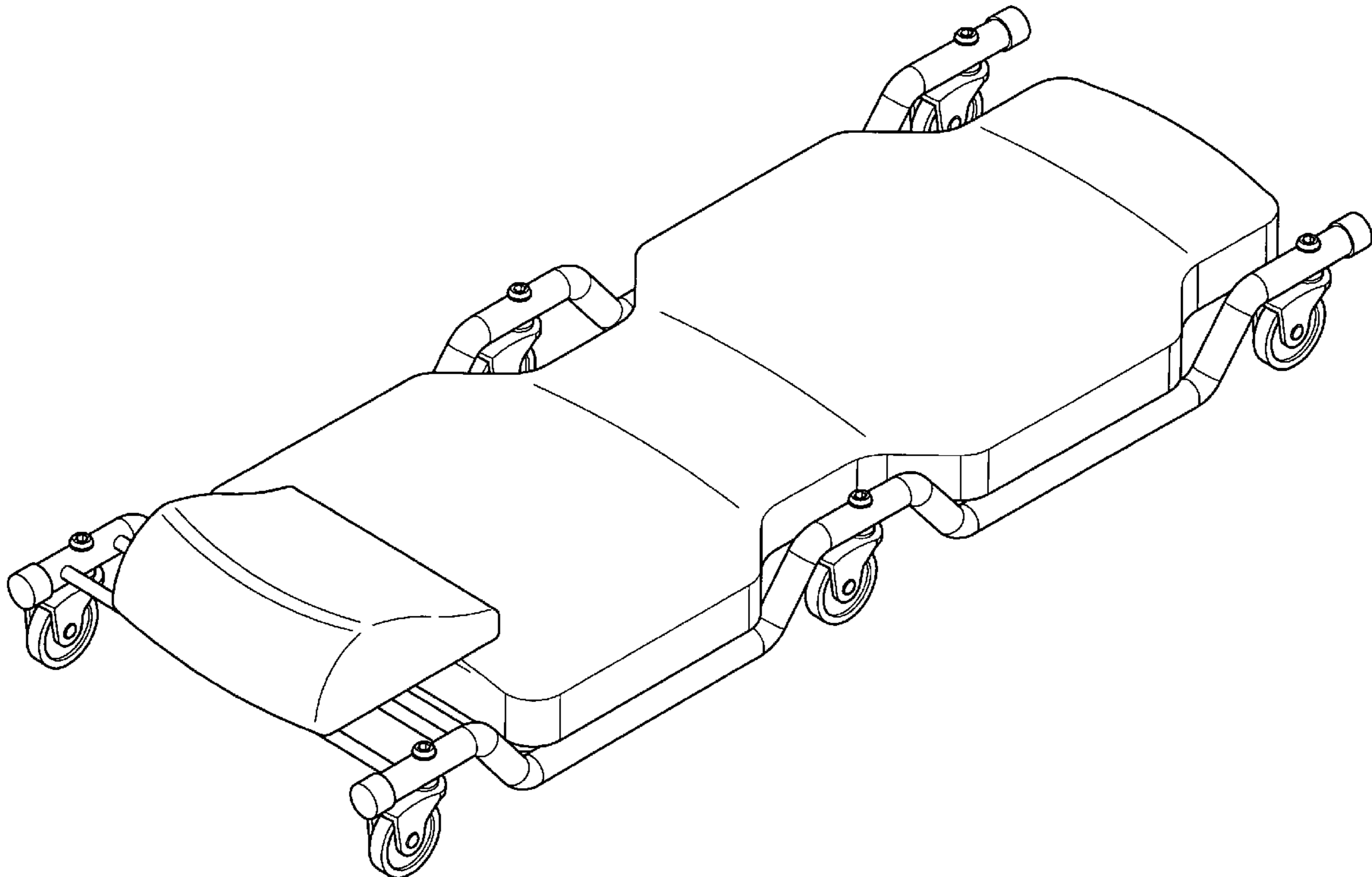
(57) **CLAIM**

The ornamental design for a creeper, as shown and described.

**DESCRIPTION**

FIG. 1 is a front-right-top perspective view of a creeper, showing my new design;  
FIG. 2 is a front elevational view thereof;  
FIG. 3 is a rear elevational view thereof;  
FIG. 4 is a left elevational view thereof;  
FIG. 5 is a right elevational view thereof;  
FIG. 6 is a top plan view thereof; and,  
FIG. 7 is a bottom plan view thereof.

**1 Claim, 4 Drawing Sheets**



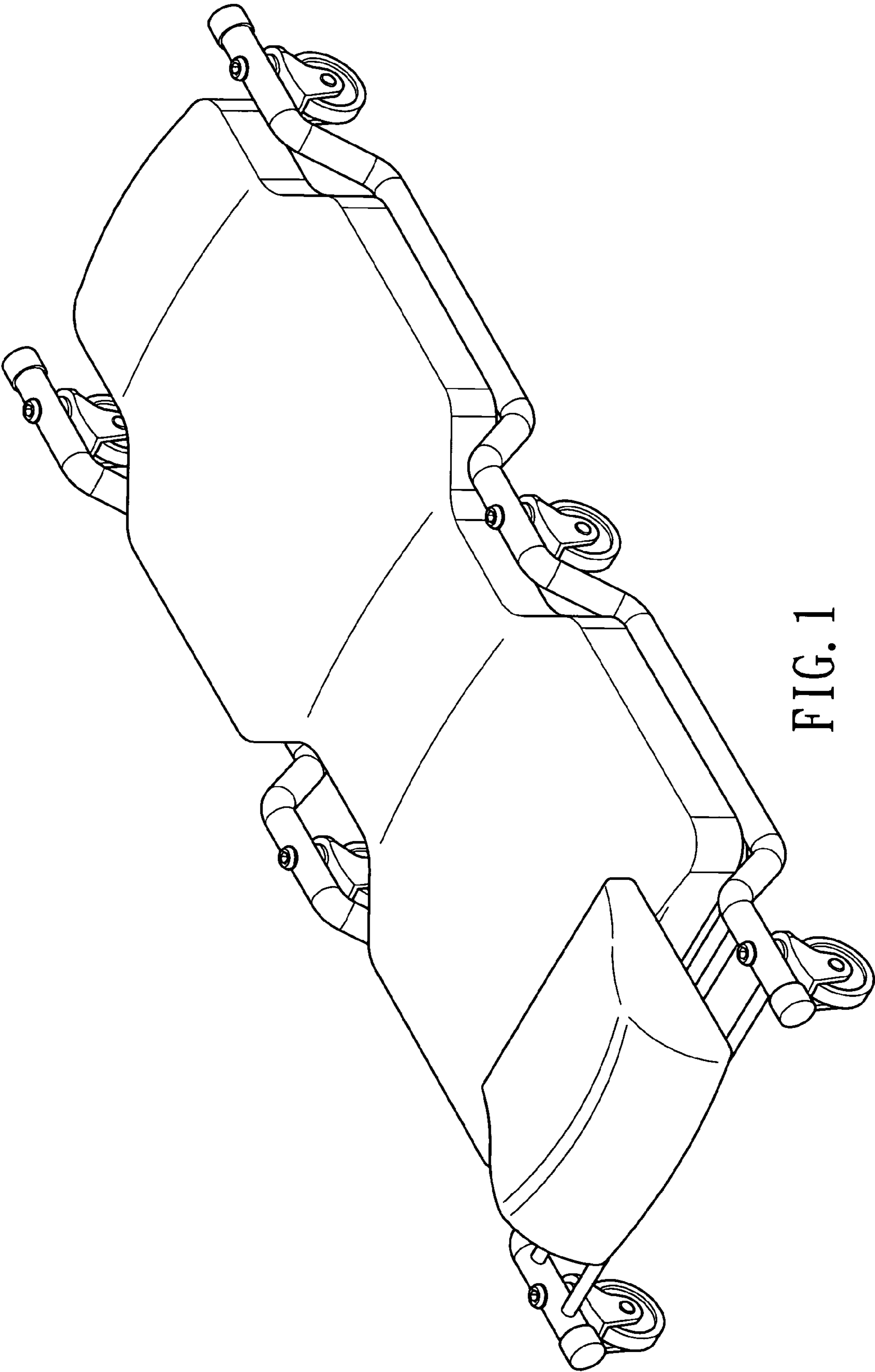


FIG. 1

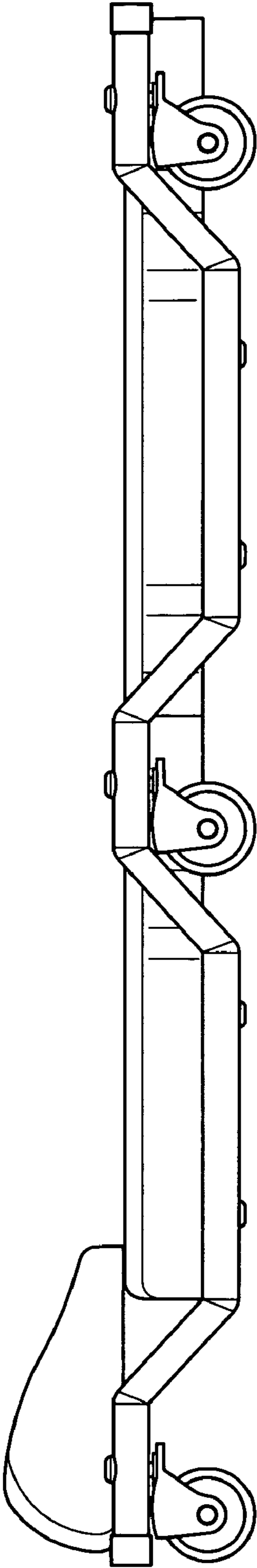


FIG. 2

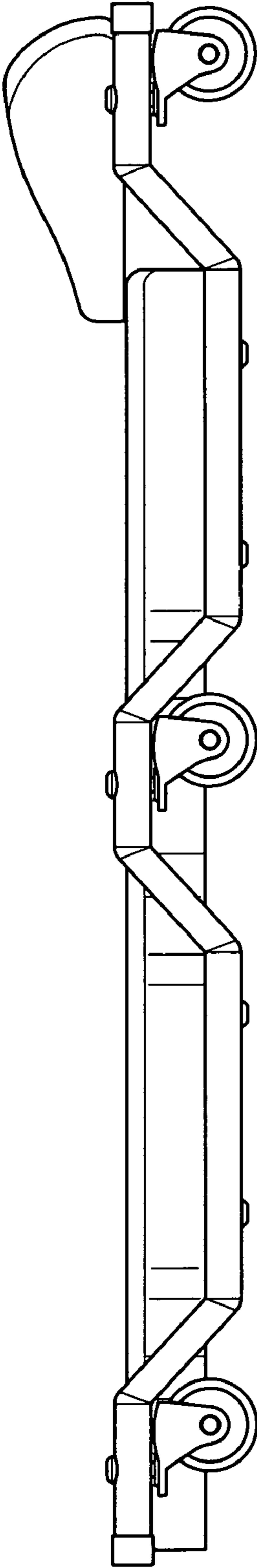


FIG. 3

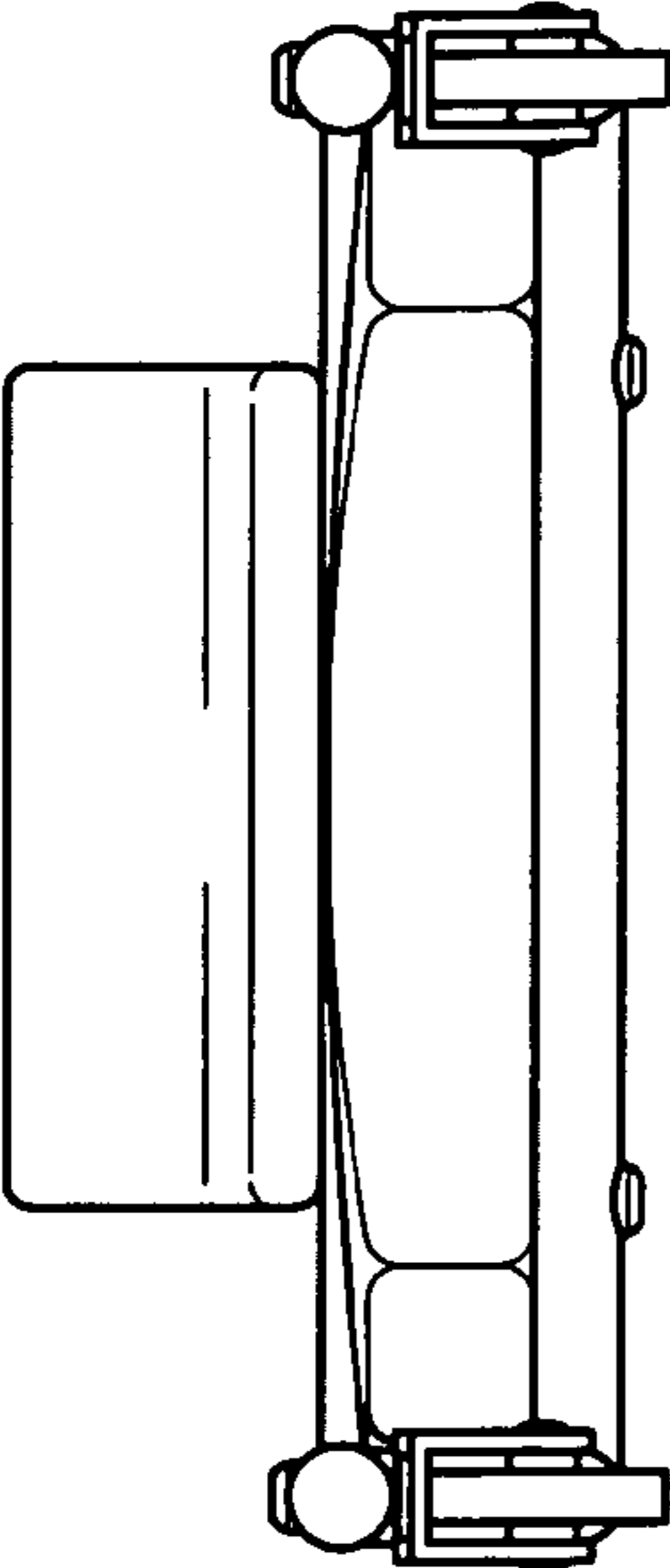


FIG. 5

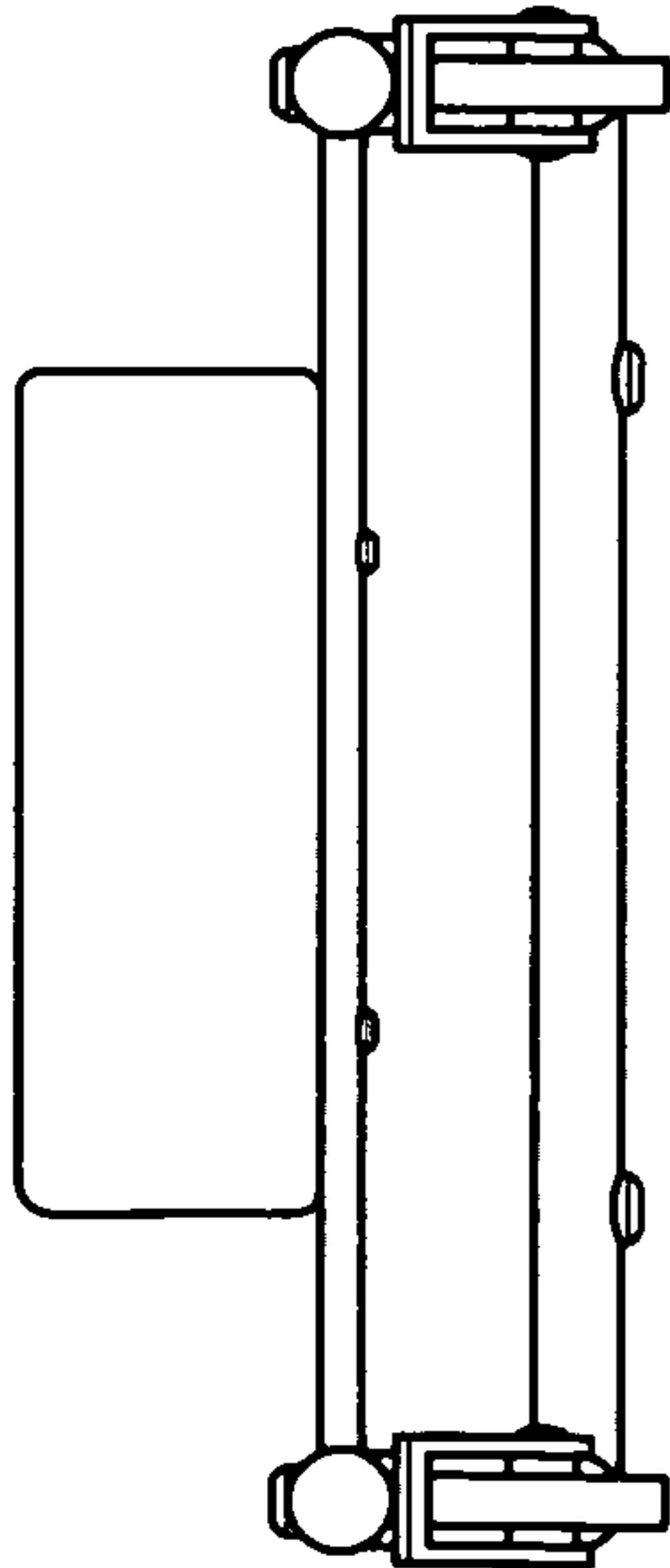


FIG. 4

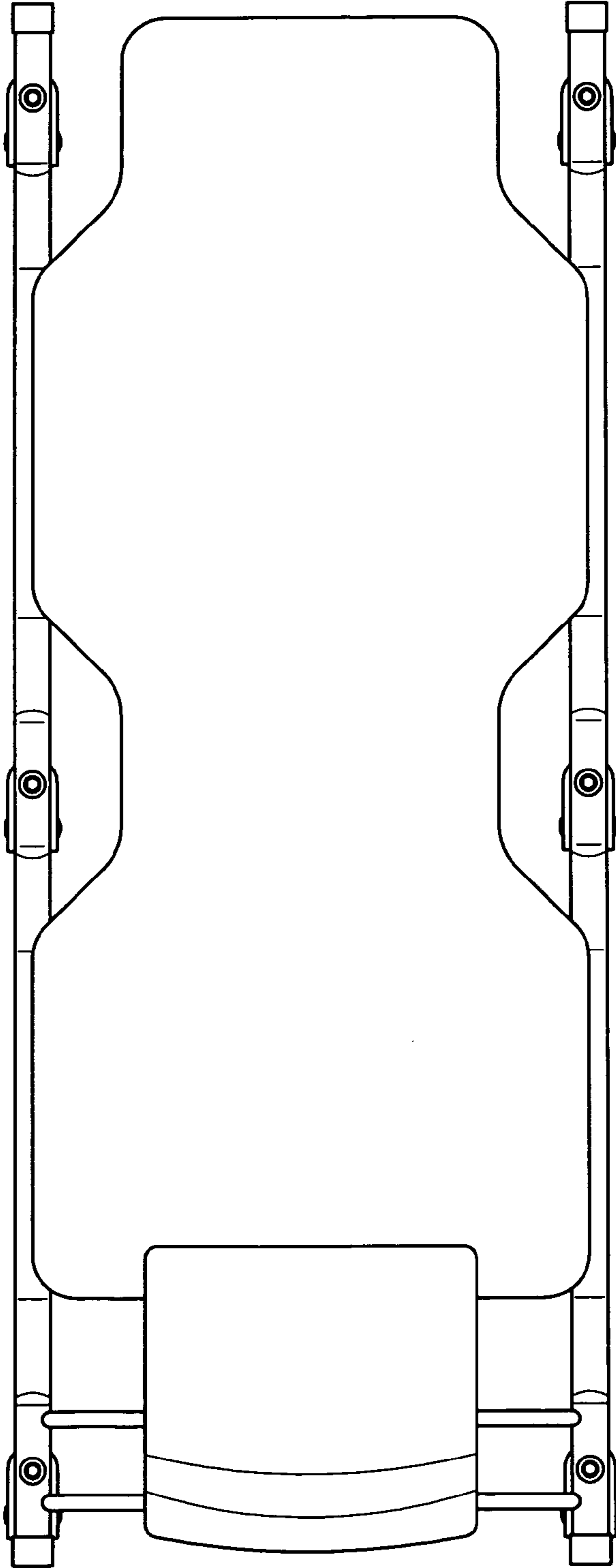


FIG. 6

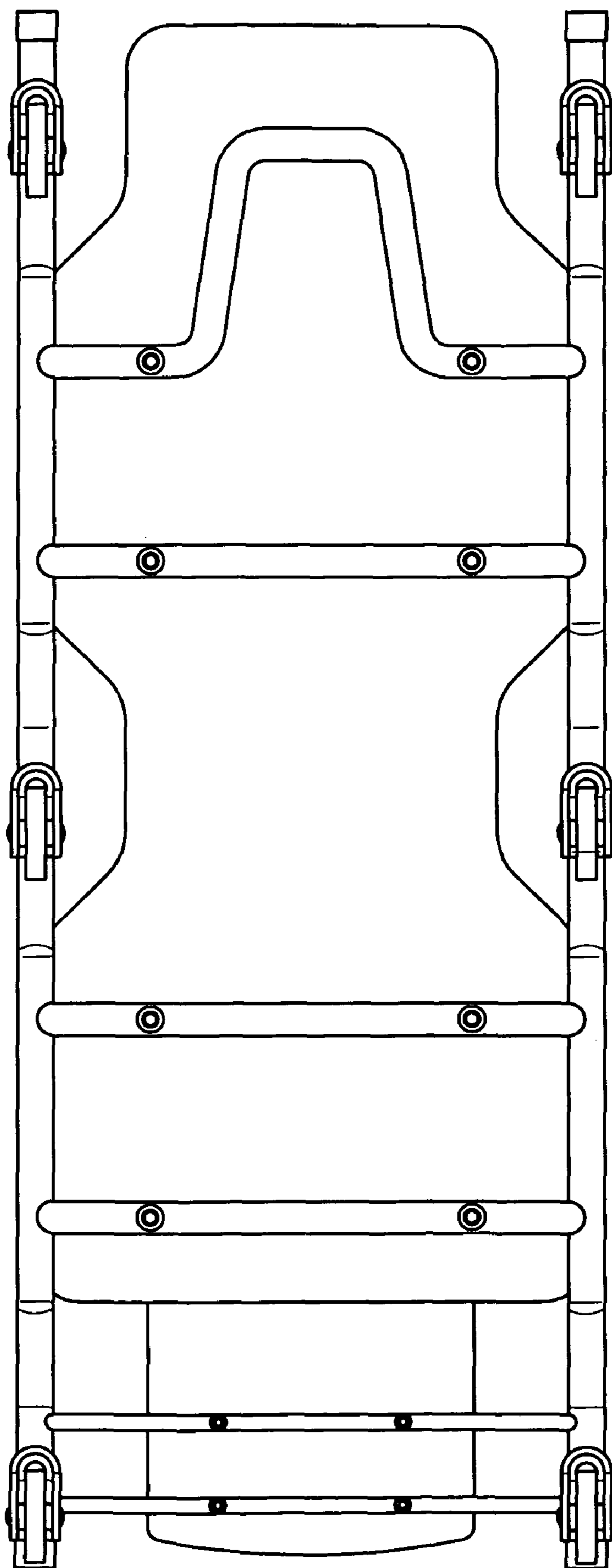


FIG. 7