



US00D641123S

(12) **United States Design Patent**
Rampton et al.

(10) **Patent No.:** **US D641,123 S**
(45) **Date of Patent:** **** Jul. 5, 2011**

(54) **RECEPTACLE**

(75) Inventors: **Kurt Rampton**, Charlotte, NC (US);
Edgar Montague, Charlotte, NC (US);
William M. Riley, Richmond, VA (US);
Sean D. Anderson, Powhatan, VA (US)

(73) Assignee: **Recall Corporation**, Norcross, GA (US)

(**) Term: **14 Years**

(21) Appl. No.: **29/369,139**

(22) Filed: **Sep. 2, 2010**

(51) **LOC (9) Cl.** **09-09**

(52) **U.S. Cl.** **D34/10**

(58) **Field of Classification Search** D34/1-11;

220/908, 908.1, 911, 254.1, 254.2

See application file for complete search history.

(56) **References Cited**

U.S. PATENT DOCUMENTS

3,333,721	A *	8/1967	Marek	220/4.28
D226,630	S *	4/1973	Gentile	D34/11
5,165,564	A	11/1992	Prout et al.		
D461,291	S *	8/2002	Kaminski et al.	D34/11
D470,989	S *	2/2003	Tuduri	D34/11
6,902,080	B2	6/2005	Busch		
D545,521	S	6/2007	Titas et al.		

D594,169	S	6/2009	Connor et al.
D611,218	S	3/2010	Connor et al.
2006/0191949	A1	8/2006	Miller et al.

FOREIGN PATENT DOCUMENTS

CA	231261	5/1923
CA	2 541 762	10/2007

* cited by examiner

Primary Examiner — Cynthia Ramirez

(74) *Attorney, Agent, or Firm* — Alston & Bird LLP

(57) **CLAIM**

The ornamental design for a receptacle, as shown and described.

DESCRIPTION

FIG. 1 is a perspective view of a receptacle showing our new design;

FIG. 2 is a rear elevation view thereof;

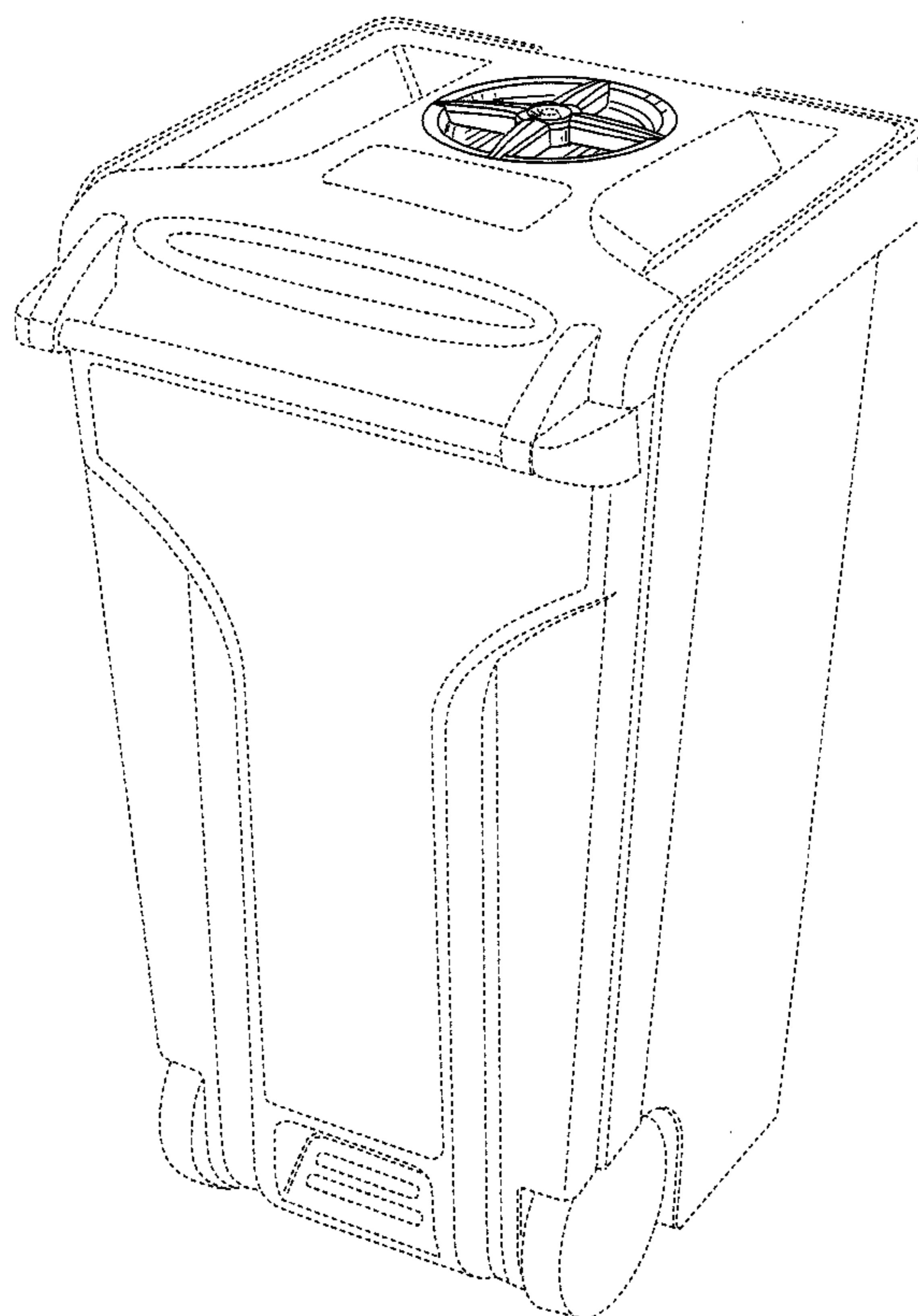
FIG. 3 is a front elevation view thereof;

FIG. 4 is a left side elevation view thereof, the right side being a mirror image; and,

FIG. 5 is a top plan view thereof.

The broken lines immediately adjacent shaded areas represent bounds of the claimed design and environment while all other broken lines are directed to environment and are for illustrative purposes only. The broken lines form no part of the claimed design.

1 Claim, 5 Drawing Sheets



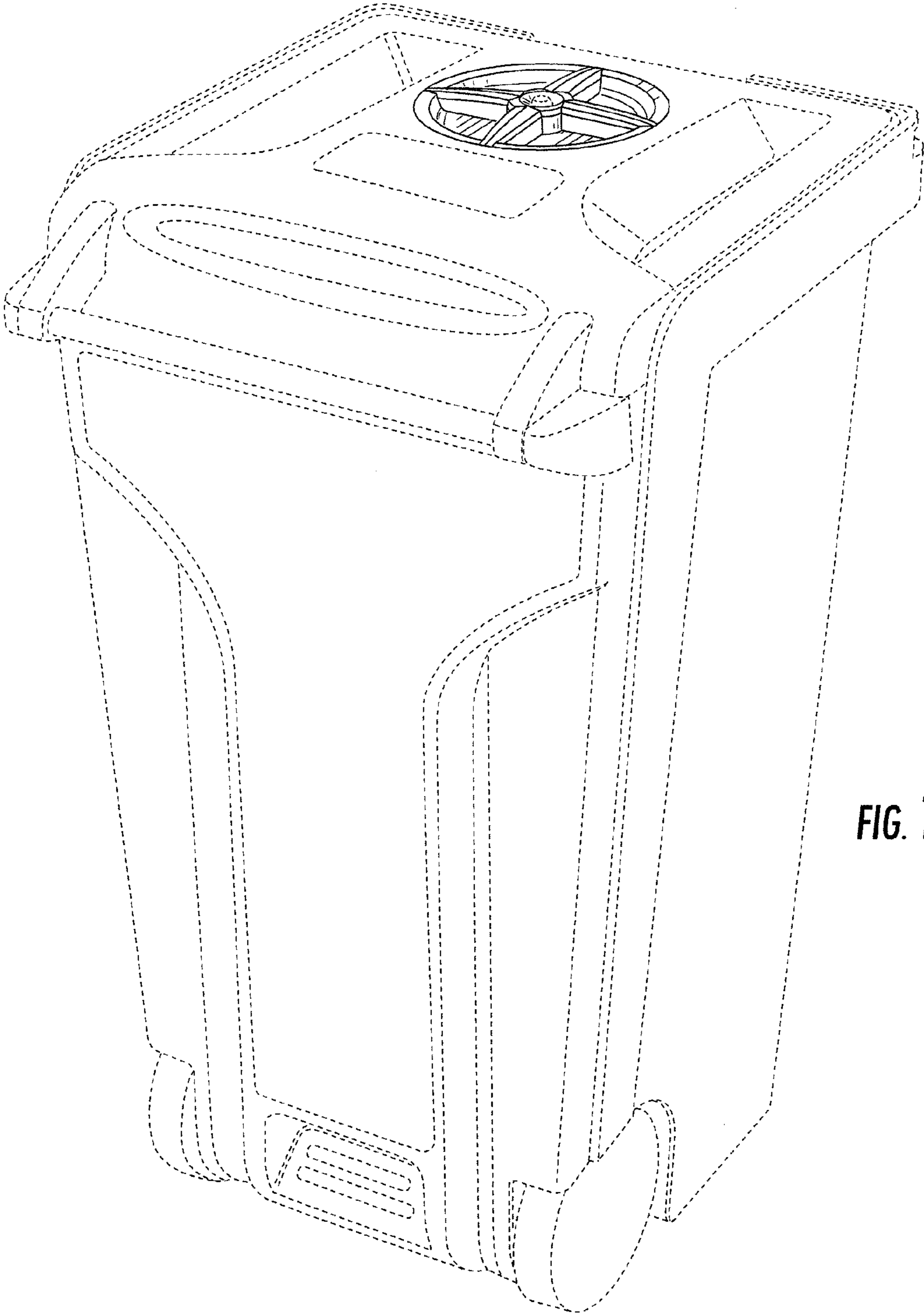


FIG. 1

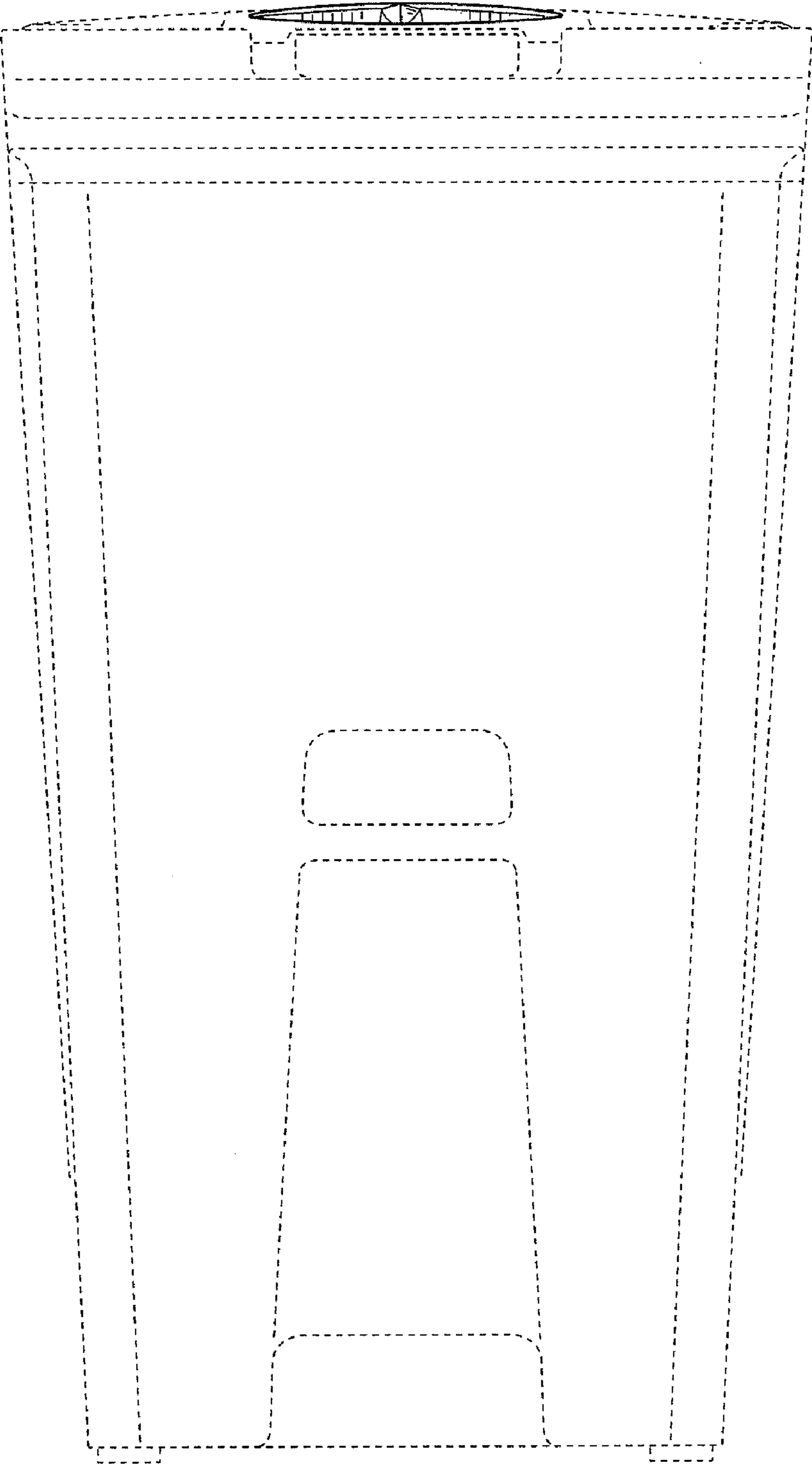


FIG. 2

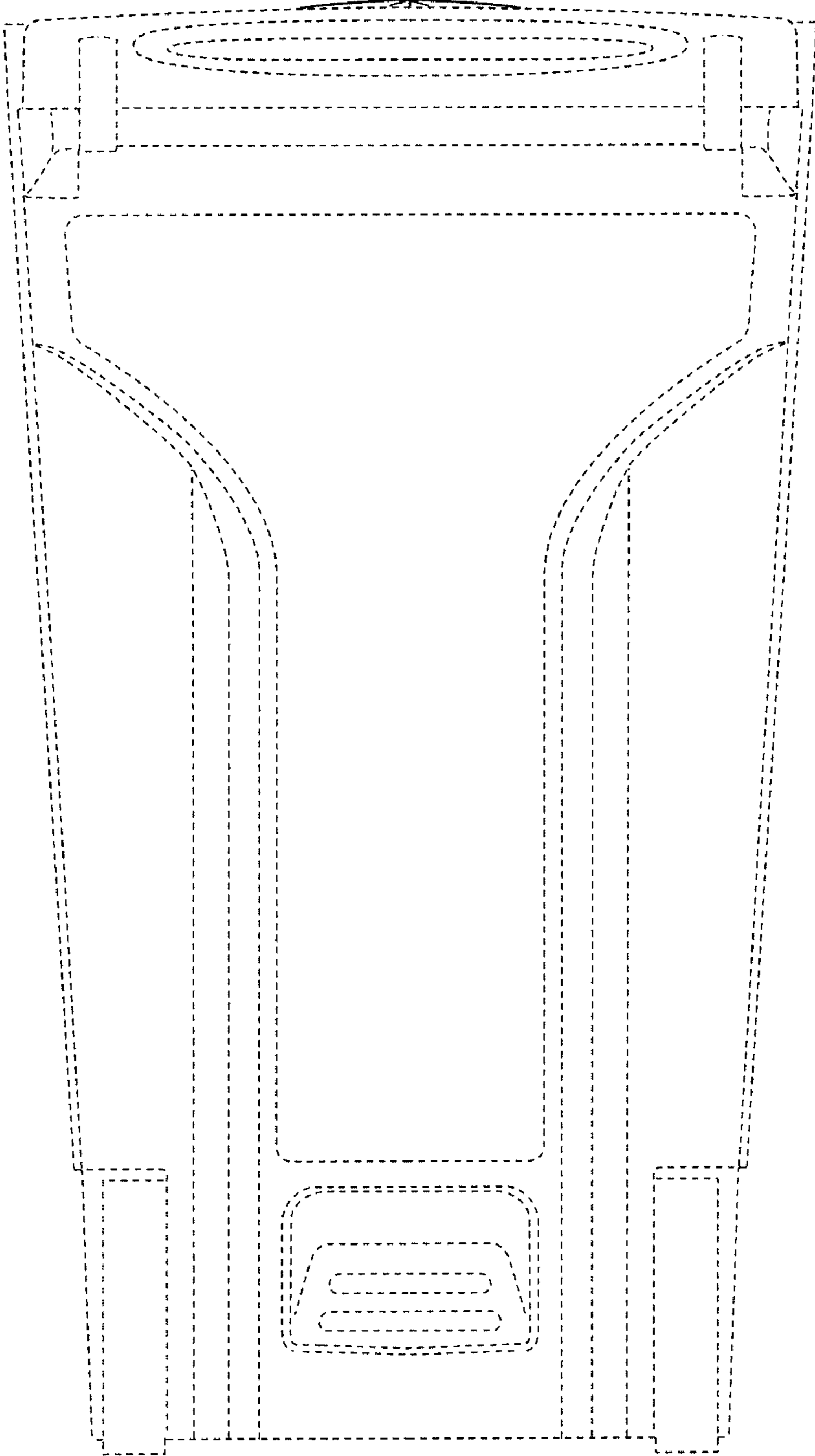


FIG. 3

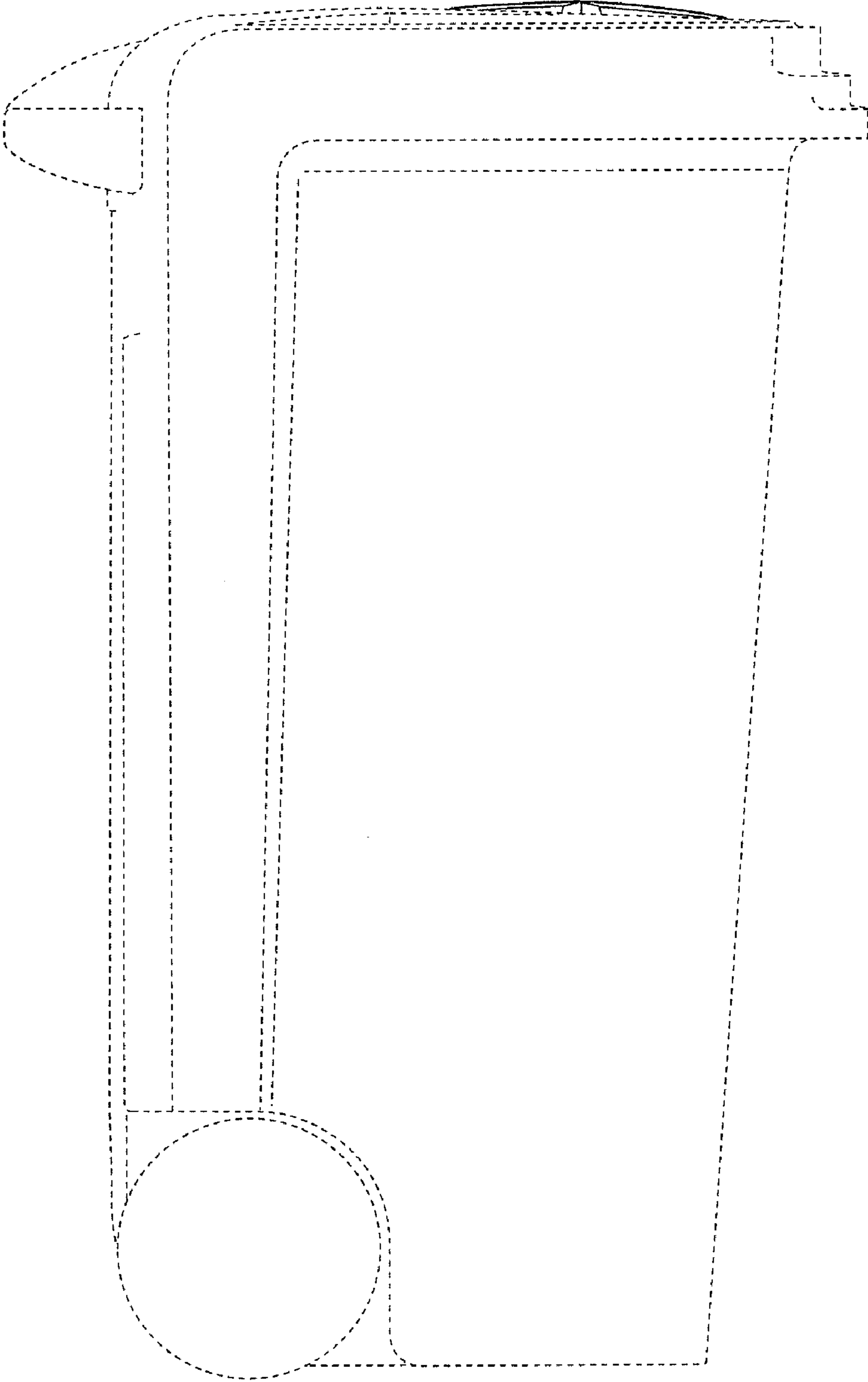


FIG. 4

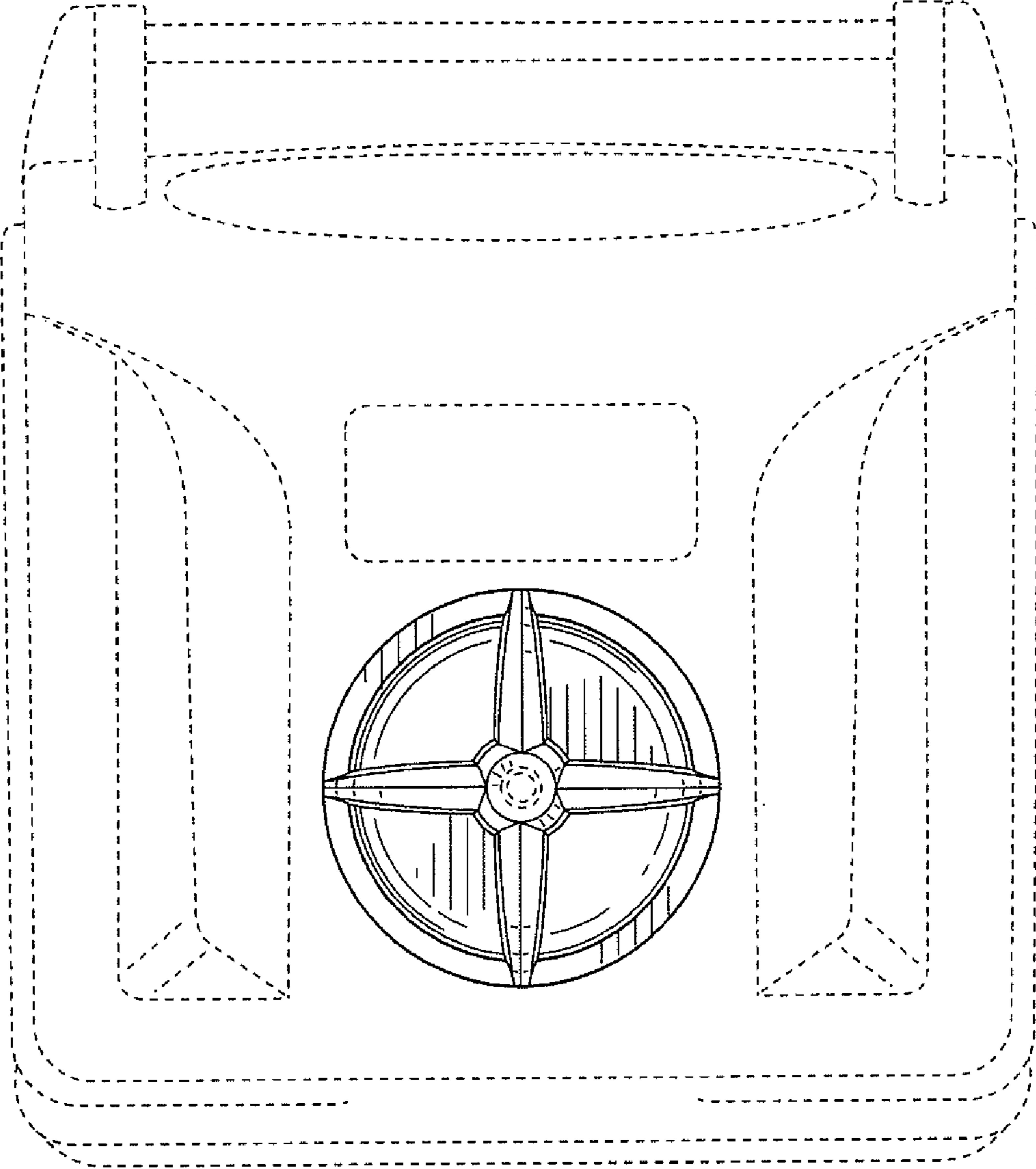


FIG. 5