



US00D641121S

(12) **United States Design Patent**
Rampton et al.

(10) **Patent No.:** **US D641,121 S**
(45) **Date of Patent:** **** Jul. 5, 2011**

(54) **RECEPTACLE**

(75) Inventors: **Kurt Rampton**, Charlotte, NC (US);
Edgar Montague, Charlotte, NC (US);
William M. Riley, Richmond, VA (US);
Sean D. Anderson, Powhatan, VA (US);
Jason Brown, Kennesaw, GA (US);
Brian Fultz, Alpharetta, GA (US);
Claude Q. Brack, Atlanta, GA (US)

(73) Assignee: **Recall Corporation**, Norcross, GA (US)

(**) Term: **14 Years**

(21) Appl. No.: **29/369,130**

(22) Filed: **Sep. 2, 2010**

(51) **LOC (9) Cl.** **09-09**

(52) **U.S. Cl.** **D34/5; D34/1**

(58) **Field of Classification Search** D34/1-11;
220/908, 908.1, 625, 675; 280/47.26

See application file for complete search history.

(56) **References Cited**

U.S. PATENT DOCUMENTS

5,165,564	A	11/1992	Prout et al.	
D355,741	S *	2/1995	Craft et al.	D34/5
D491,328	S *	6/2004	Aiken et al.	D34/5
6,902,080	B2	6/2005	Busch	
D545,521	S	6/2007	Titas et al.	
D554,821	S *	11/2007	Blanchard et al.	D34/1
D594,169	S	6/2009	Connor et al.	
D611,218	S	3/2010	Connor et al.	
D624,723	S *	9/2010	Raghunathan et al.	D34/5
2003/0155366	A1 *	8/2003	Raghunathan	220/835
2006/0191949	A1	8/2006	Miller et al.	

FOREIGN PATENT DOCUMENTS

CA 231261 5/1923
CA 2 541 762 10/2007

* cited by examiner

Primary Examiner — Cynthia Ramirez

(74) *Attorney, Agent, or Firm* — Alston & Bird LLP

(57) **CLAIM**

The ornamental design for a receptacle, as shown and described.

DESCRIPTION

FIG. 1 is a perspective view of a receptacle showing our new design;

FIG. 2 is another perspective view thereof;

FIG. 3 is a rear elevation view thereof;

FIG. 4 is a front elevation view thereof;

FIG. 5 is a left side elevation view thereof, the right side being a mirror image;

FIG. 6 is a top plan view thereof;

FIG. 7 is a bottom plan view thereof;

FIG. 8 is a rear elevation cross-section view thereof taken along line 8—8 of FIG. 2;

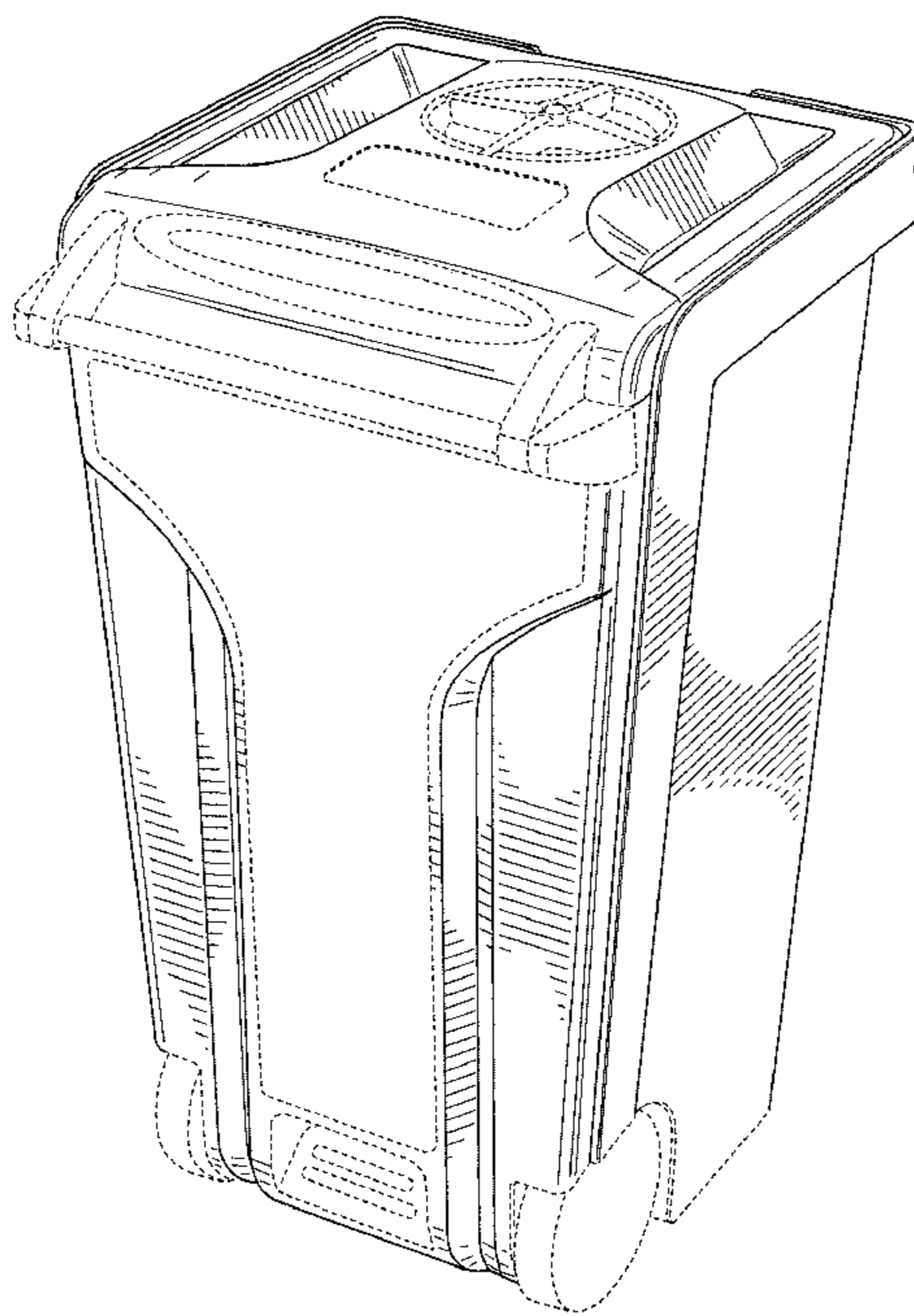
FIG. 9 is a perspective view thereof shown with the lid in a partially open configuration;

FIG. 10 is a top plan view thereof shown with the lid in the partially open configuration; and,

FIG. 11 is a partial perspective view thereof shown with the lid in the partially open configuration.

The broken lines immediately adjacent shaded areas represent bounds of the claimed design and environment while all other broken lines are directed to environment and are for illustrative purposes only. The broken lines form no part of the claimed design.

1 Claim, 11 Drawing Sheets



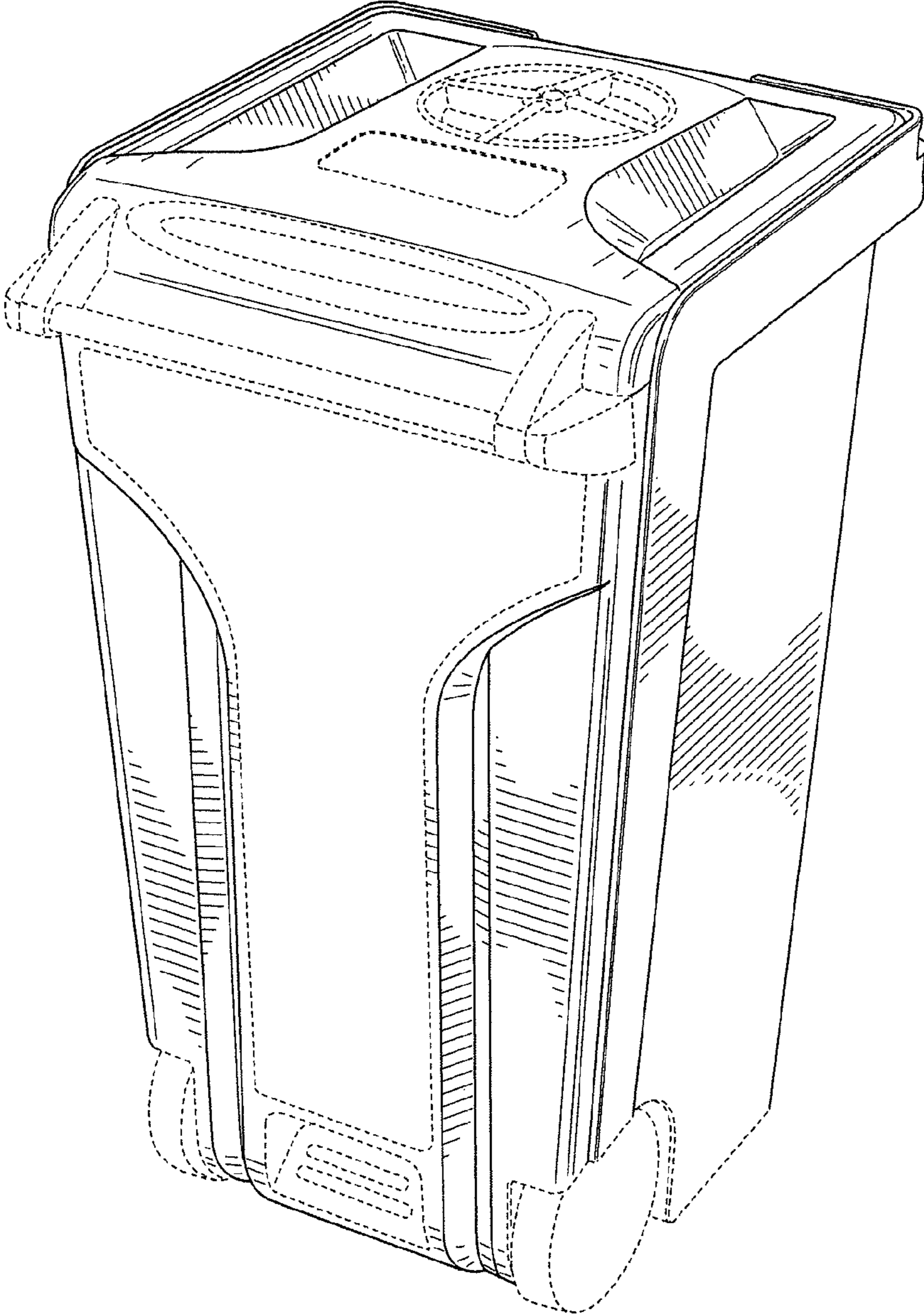


FIG. 1

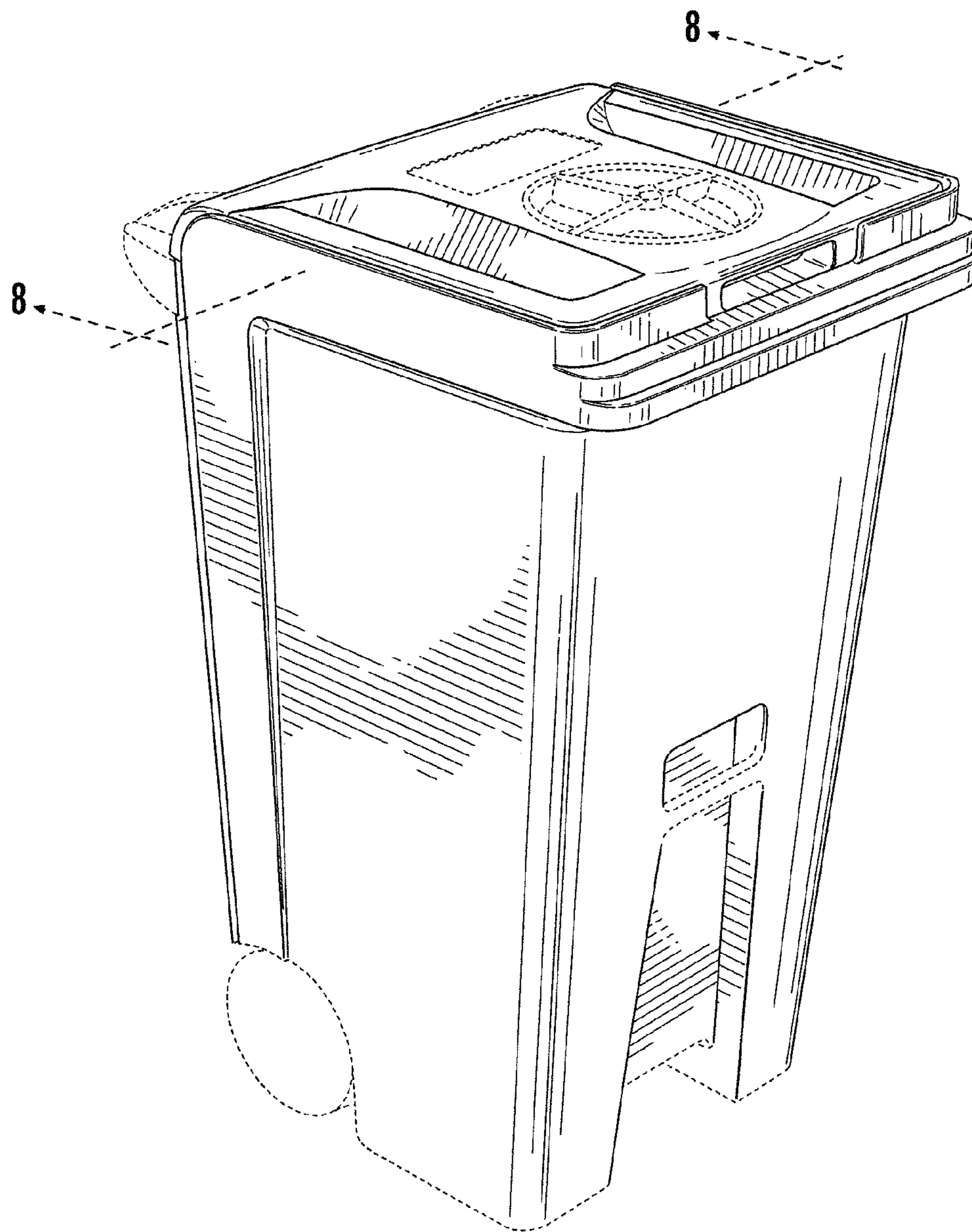


FIG. 2

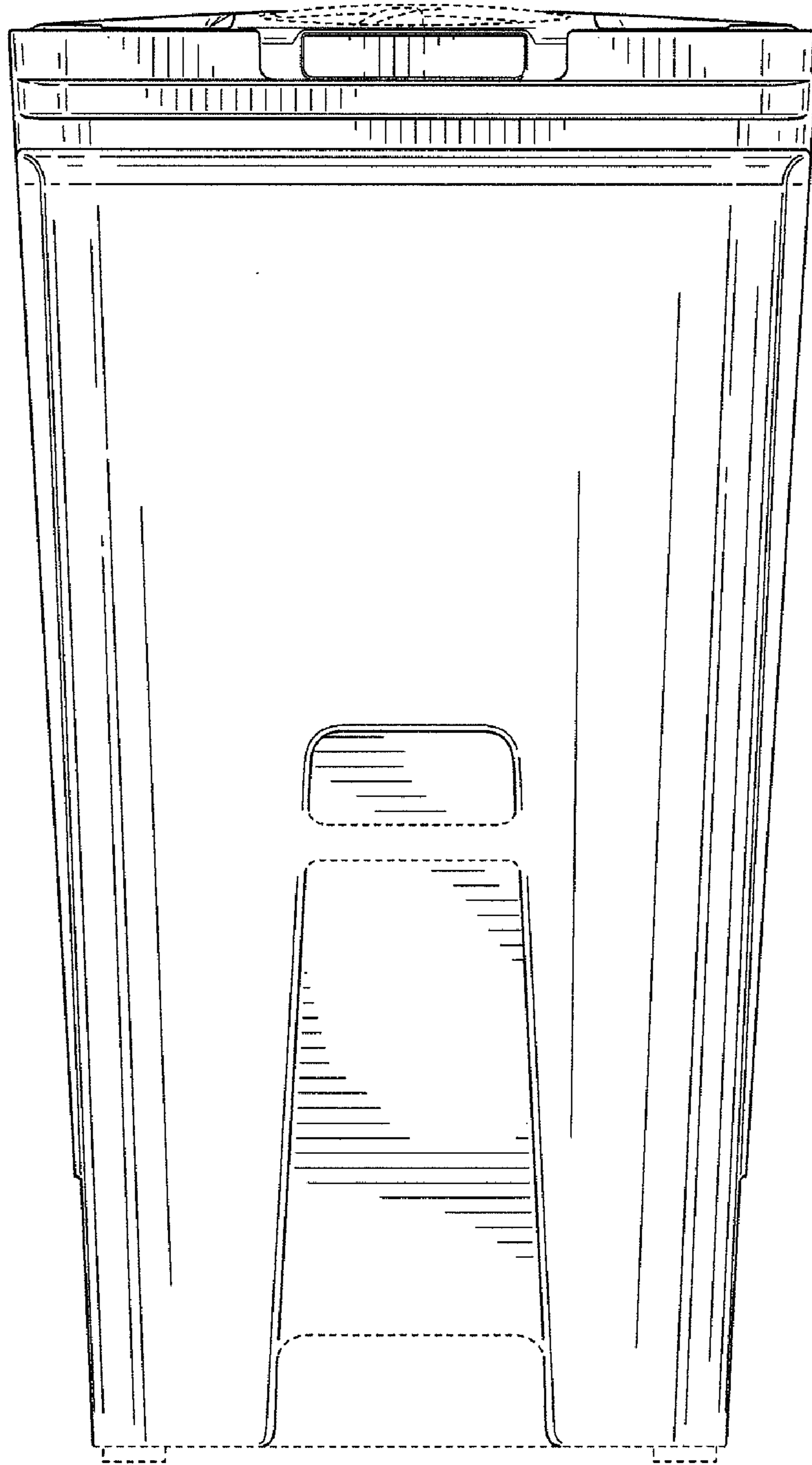


FIG. 3

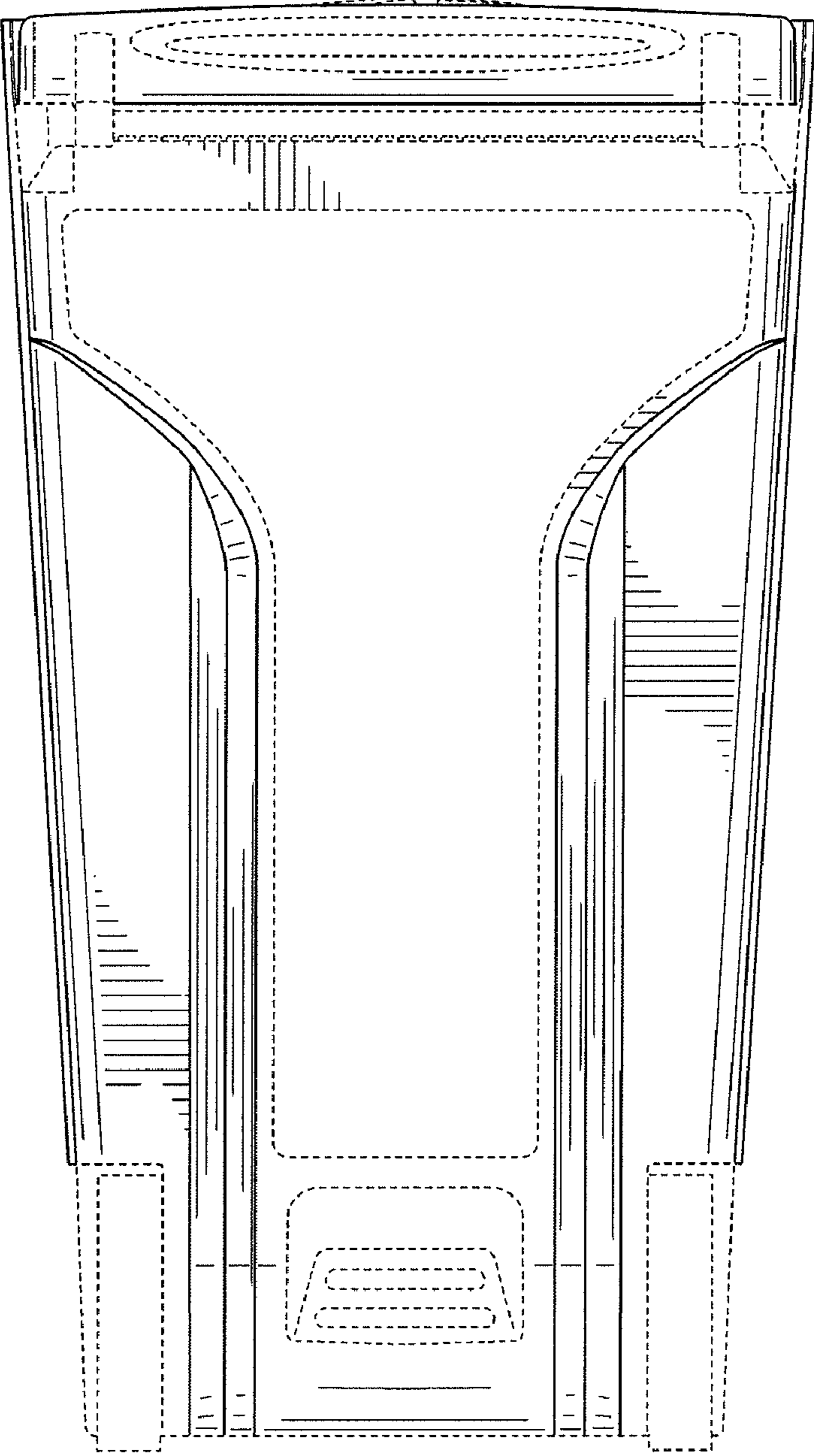


FIG. 4

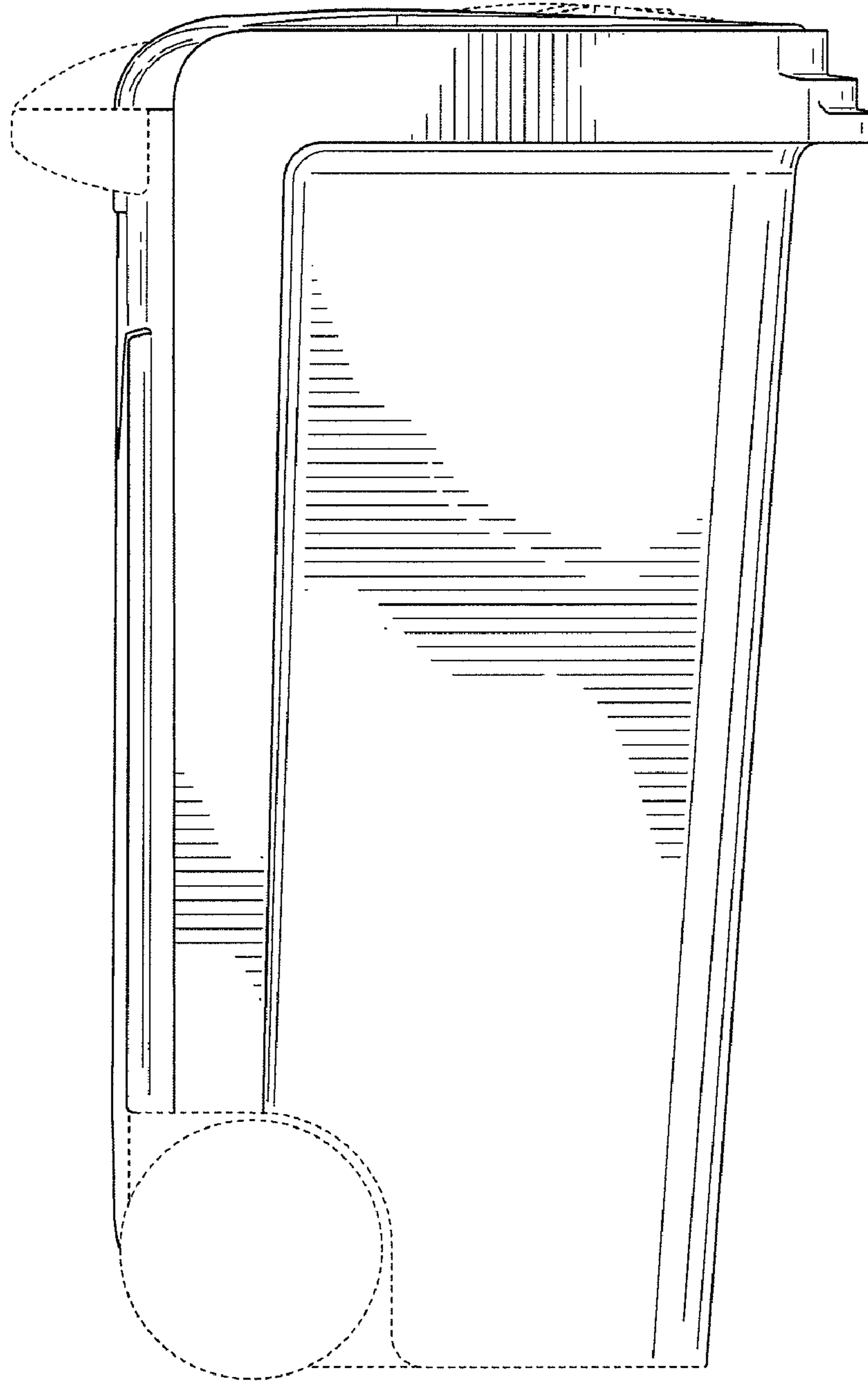


FIG. 5

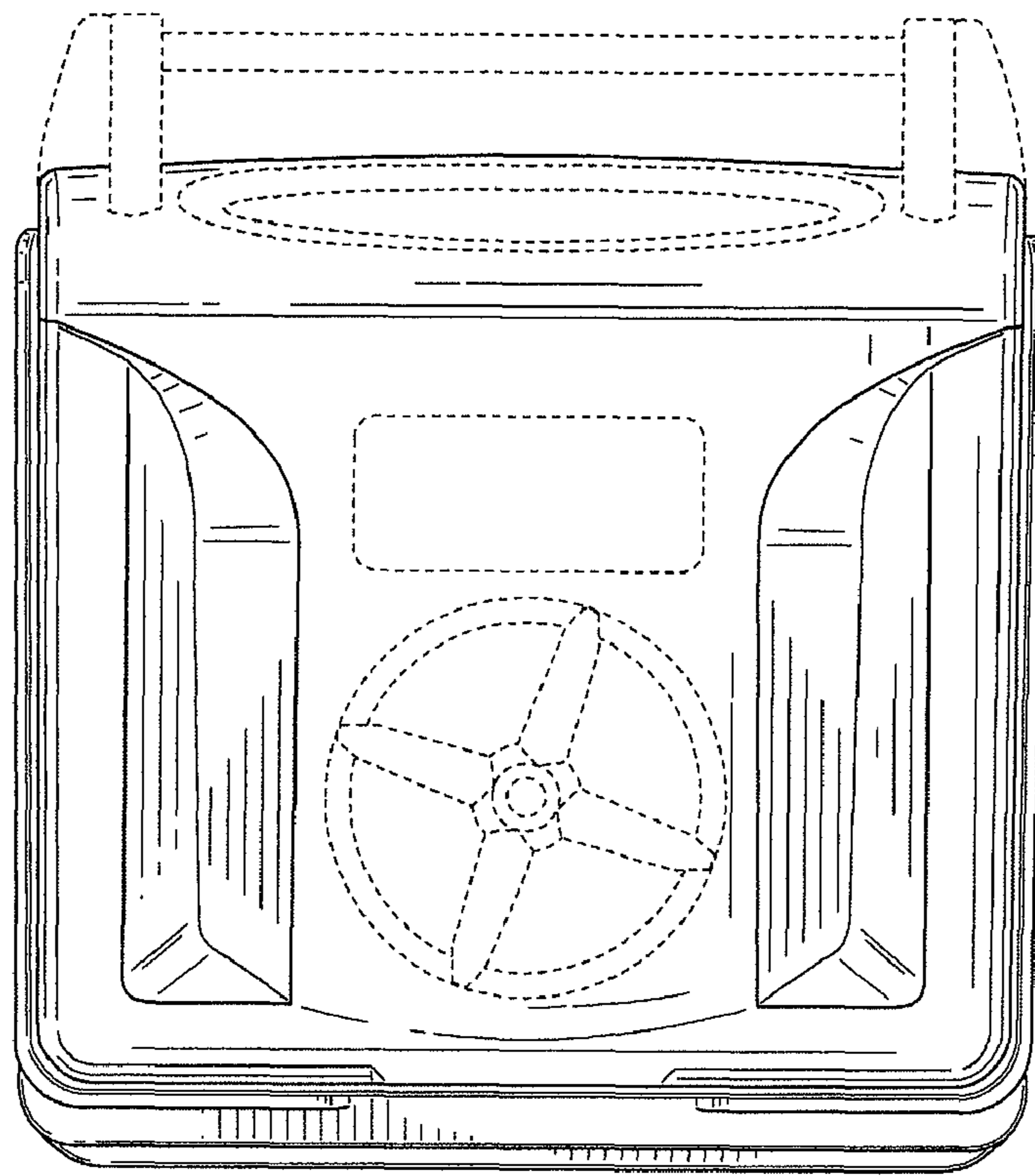


FIG. 6

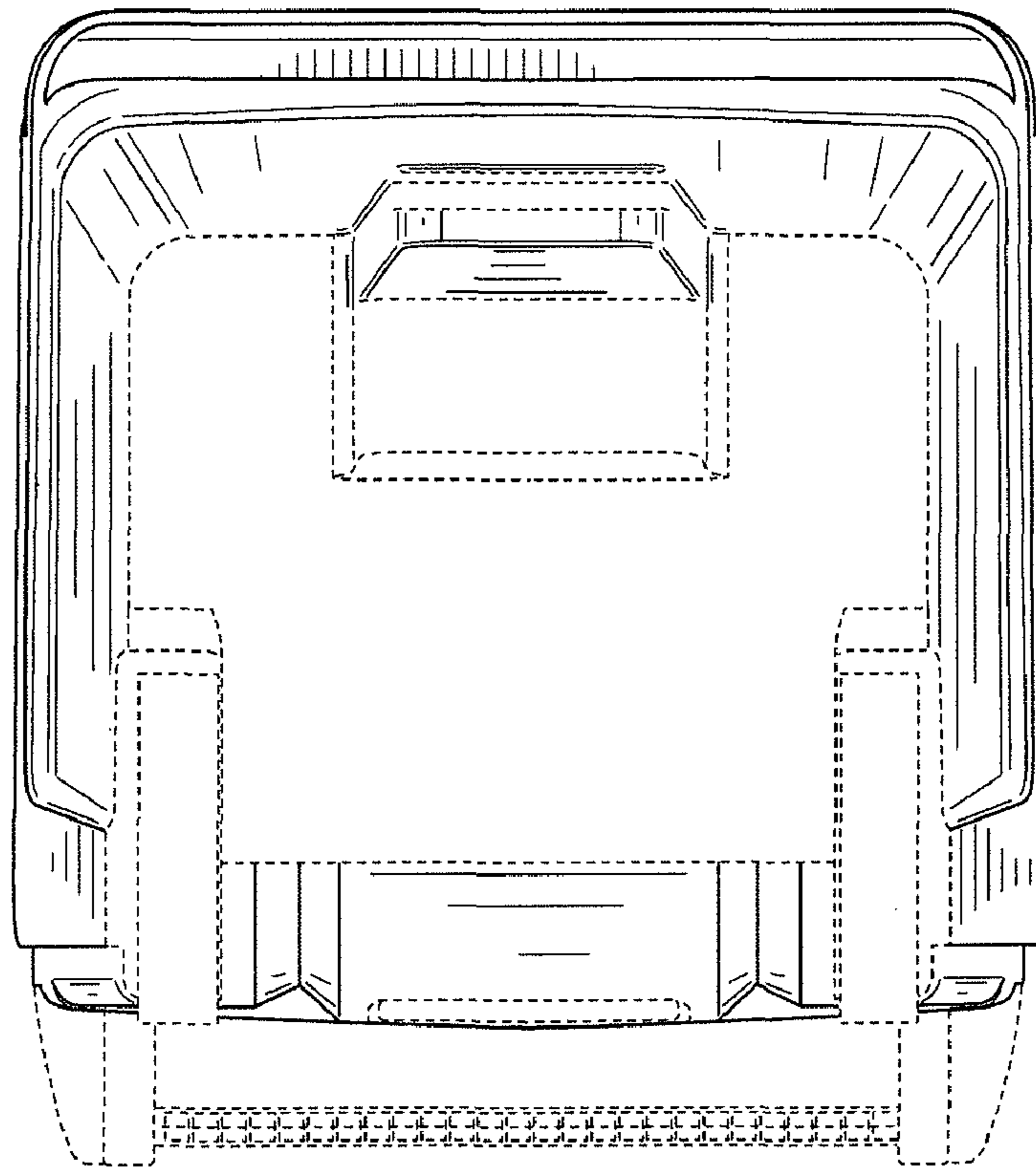


FIG. 7

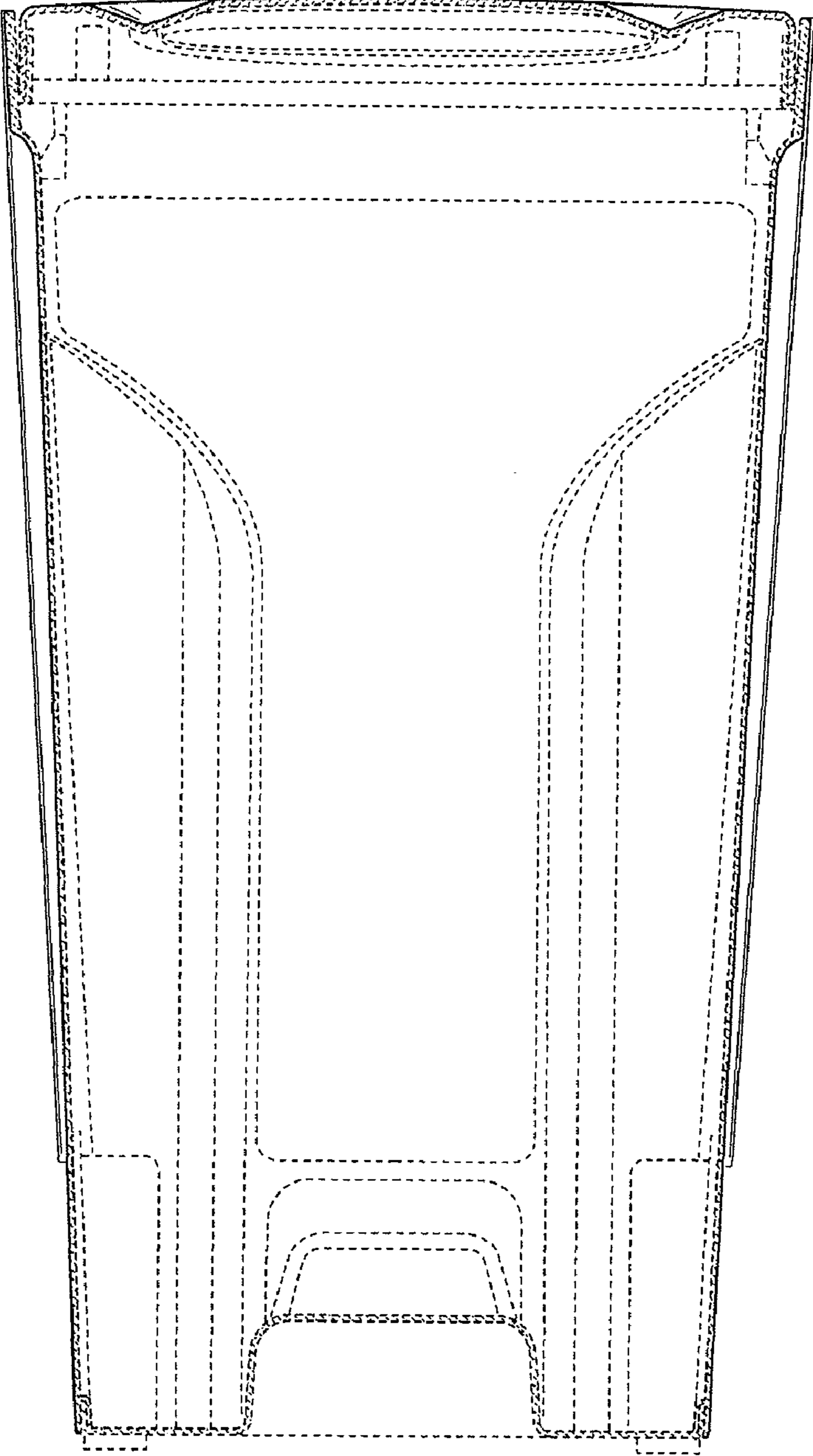


FIG. 8

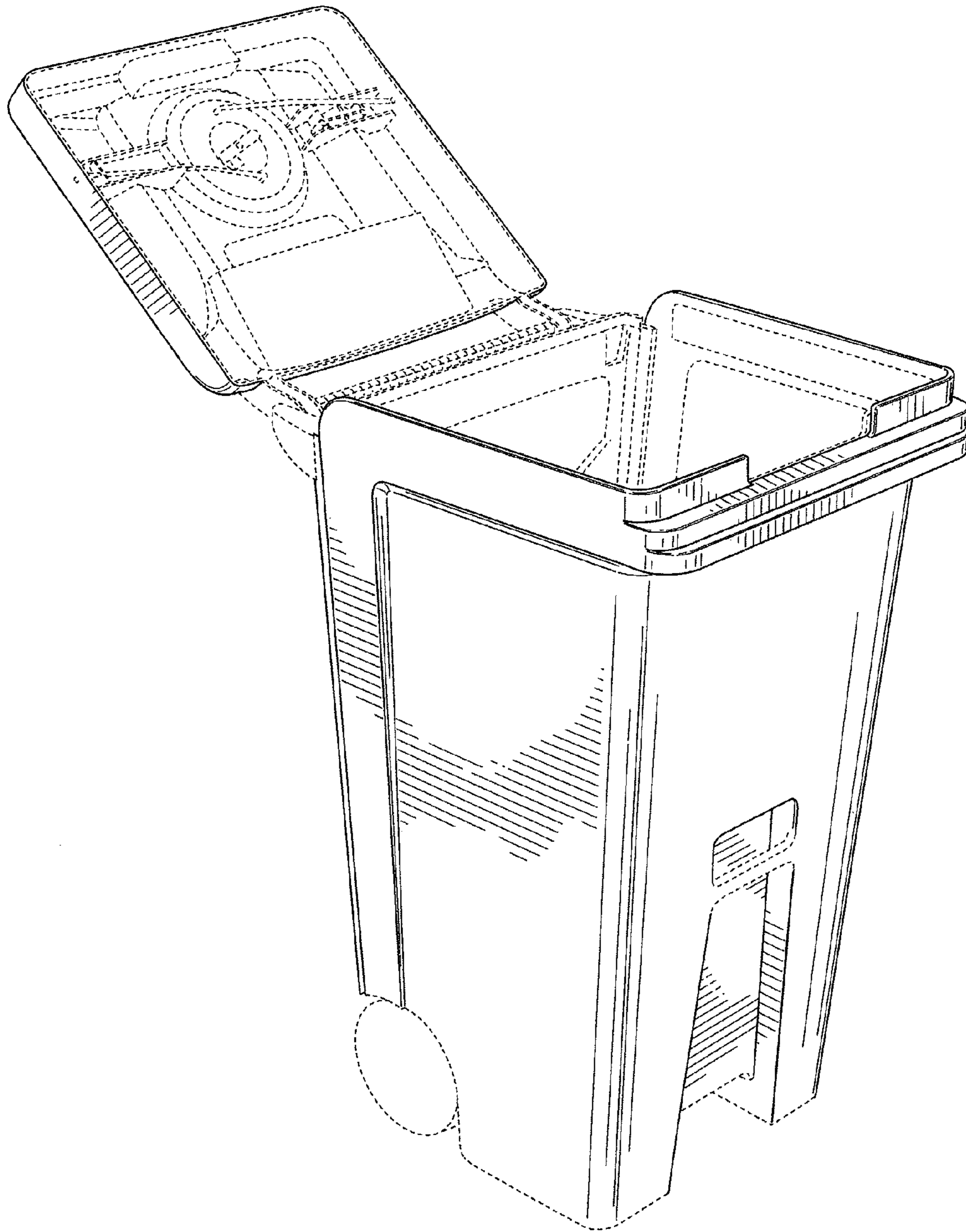


FIG. 9

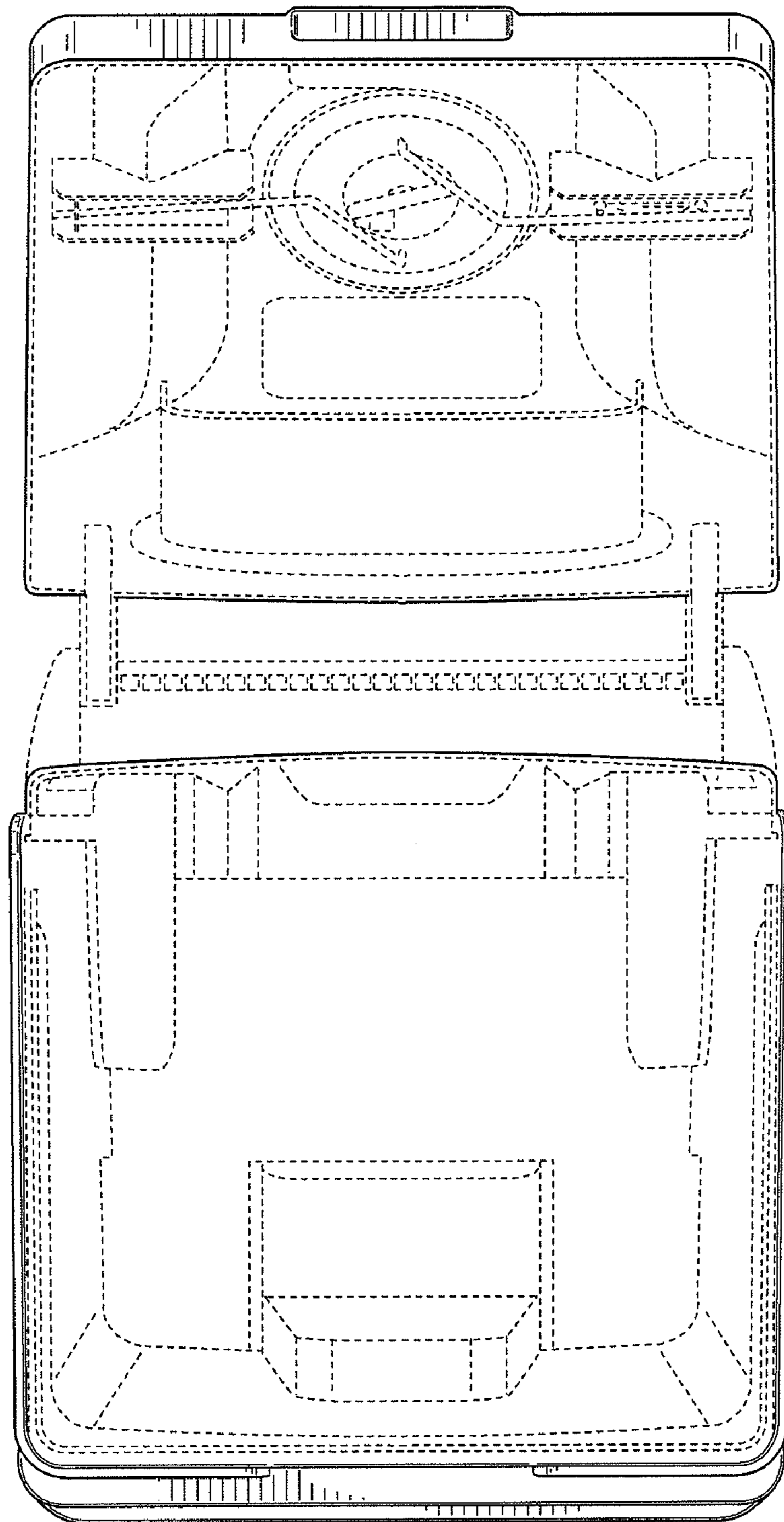


FIG. 10

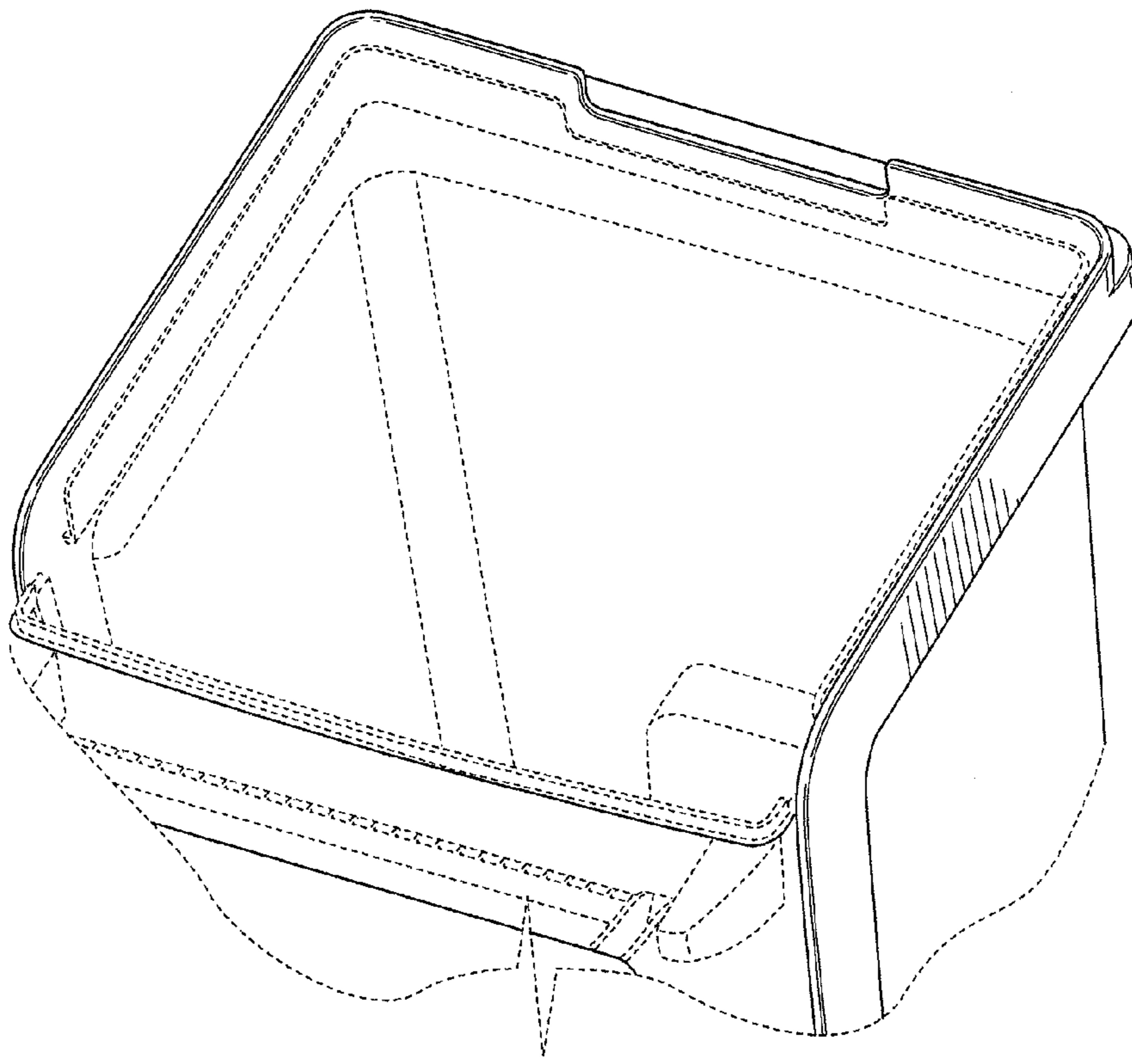


FIG. 11