



US00D641120S

(12) **United States Design Patent**  
**Montanaro, Jr.**

(10) **Patent No.:** **US D641,120 S**  
(45) **Date of Patent:** **\*\* Jul. 5, 2011**

- (54) **TRASH/WASTE BAG WITH EXTRA FLAP AND LOOP FOR HANGING**
- (76) Inventor: **Joseph Montanaro, Jr.**, Windham, NH (US)
- (\*\*) Term: **14 Years**
- (21) Appl. No.: **29/378,443**
- (22) Filed: **Nov. 4, 2010**
- (51) **LOC (9) Cl.** ..... **09-09**
- (52) **U.S. Cl.** ..... **D34/1**
- (58) **Field of Classification Search** ..... D34/1, D34/5, 6; 248/95, 97, 99, 100, 101; 383/33, 383/70, 71, 75, 79, 81, 88  
See application file for complete search history.

(56) **References Cited**

U.S. PATENT DOCUMENTS

2,392,034	A *	1/1946	Ellis et al.	.....	383/96
2,808,091	A *	10/1957	Cumbler	.....	383/24
4,047,746	A	9/1977	Radowski		
4,332,347	A	6/1982	Clayton		
D298,307	S *	11/1988	Balter et al.	.....	D12/133
4,867,576	A *	9/1989	Boyd	.....	383/33
D371,108	S	6/1996	Baker		
6,174,082	B1	1/2001	Pelky et al.		
D442,754	S *	5/2001	Gregoire	.....	D34/1
6,224,259	B1 *	5/2001	Guerra	.....	383/24
7,192,190	B2	3/2007	Jung		

D633,677 S \* 3/2011 Blomberg ..... D34/5  
 2003/0190097 A1 10/2003 Hajianpour  
 2009/0014603 A1\* 1/2009 Zima ..... 248/101

\* cited by examiner

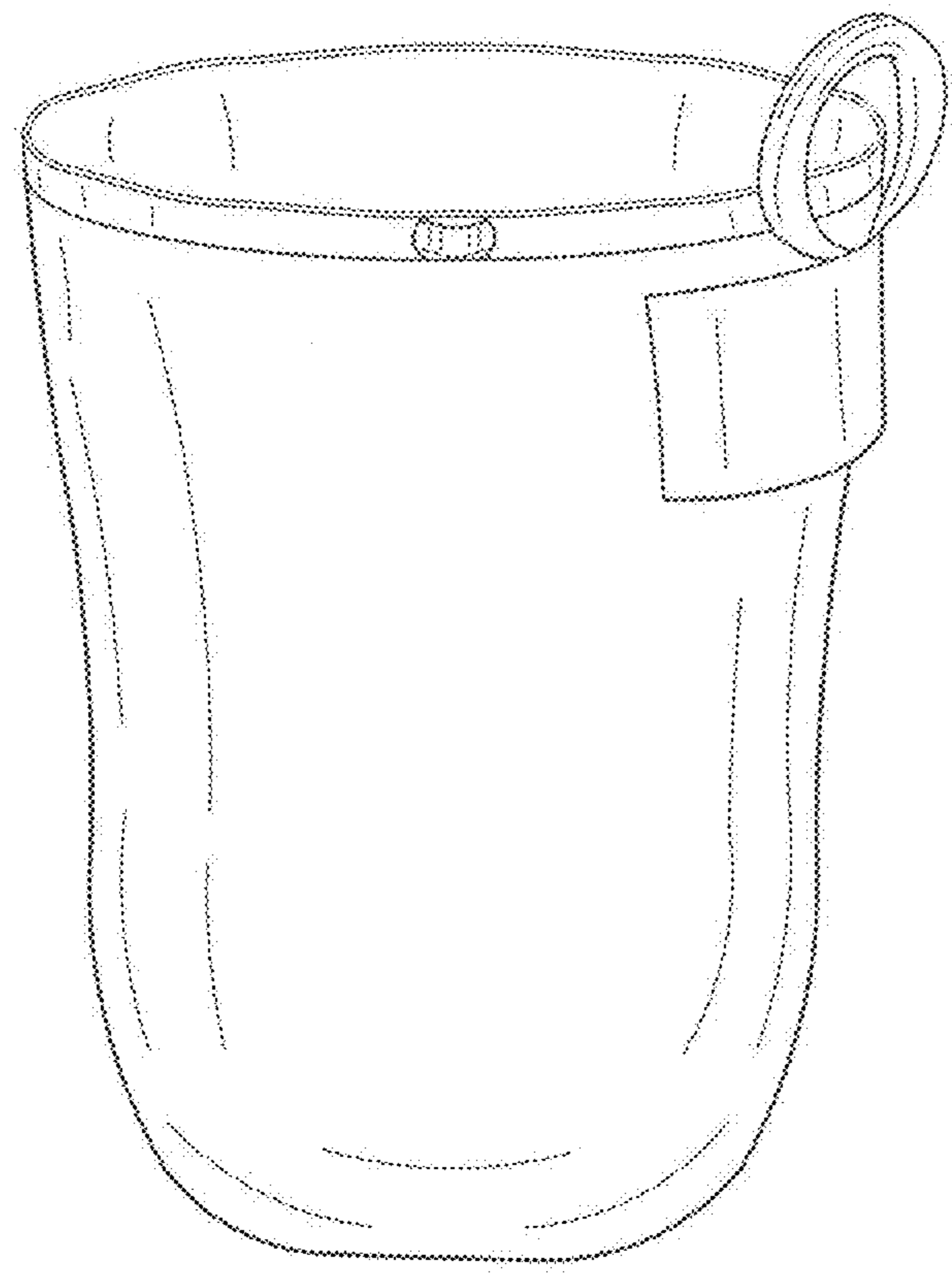
*Primary Examiner* — Cynthia Ramirez

(57) **CLAIM**  
 The ornamental design for a trash/waste bag with extra flap and loop for hanging, as shown and described.

**DESCRIPTION**

FIG. 1 is a perspective view of a trash/waste bag with extra flap and loop for hanging showing my new design;  
 FIG. 2 is a side view, with the opposite side view being a mirror image thereof;  
 FIG. 3 is a front view thereof;  
 FIG. 4 is a back view thereof;  
 FIG. 5 is a top view thereof;  
 FIG. 6 is a bottom view thereof;  
 FIG. 7 is a perspective view showing the flap in use thereof; and,  
 FIG. 8 is a perspective view showing the loop in use.  
 In FIGS. 7 and 8, the broken lines showing of environmental structure for purposes of illustrating the trash/waste bag with extra flap and loop for hanging in a condition of use. The broken lines and the structure they depict form no part of the claimed design.

**1 Claim, 7 Drawing Sheets**



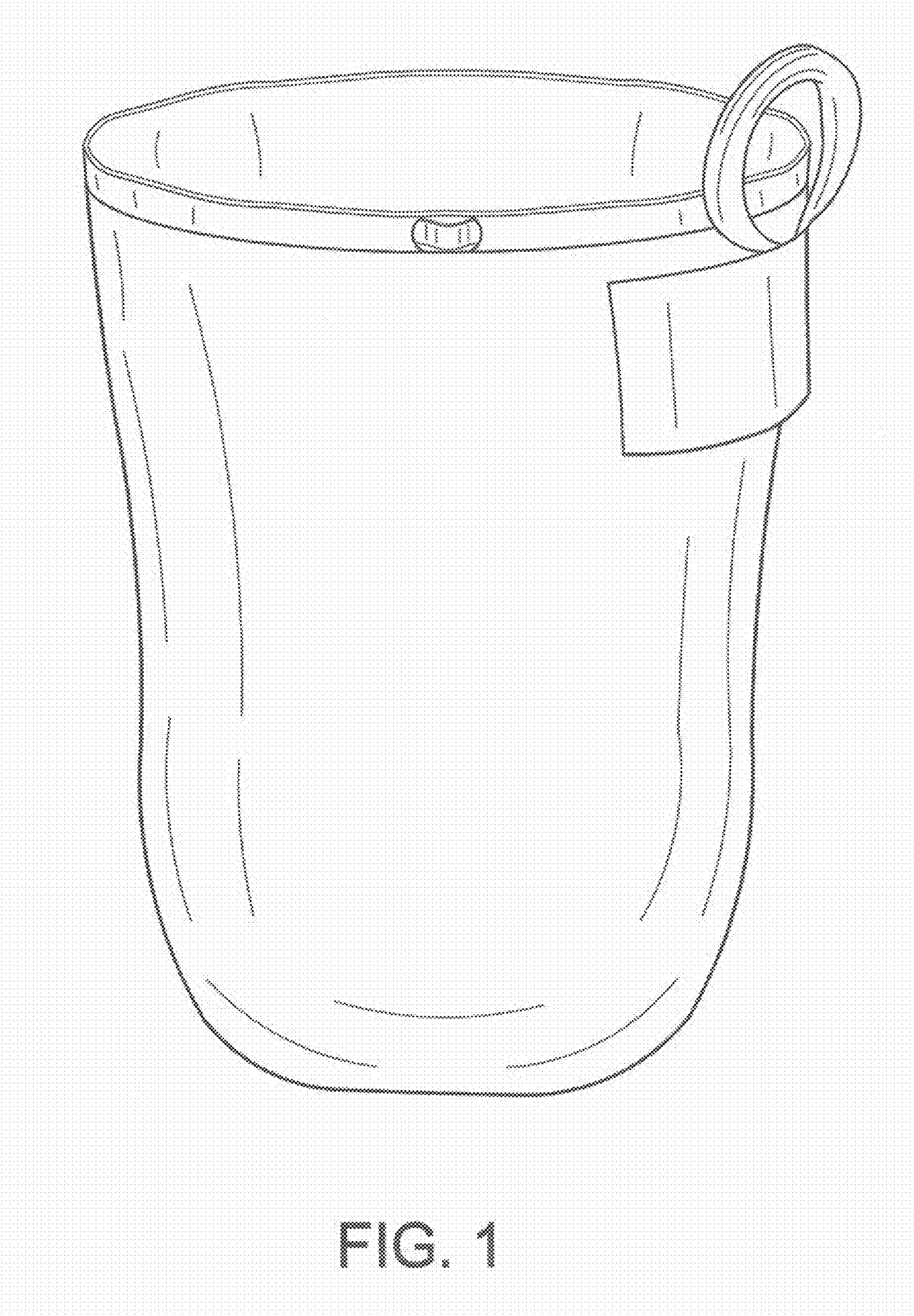


FIG. 1



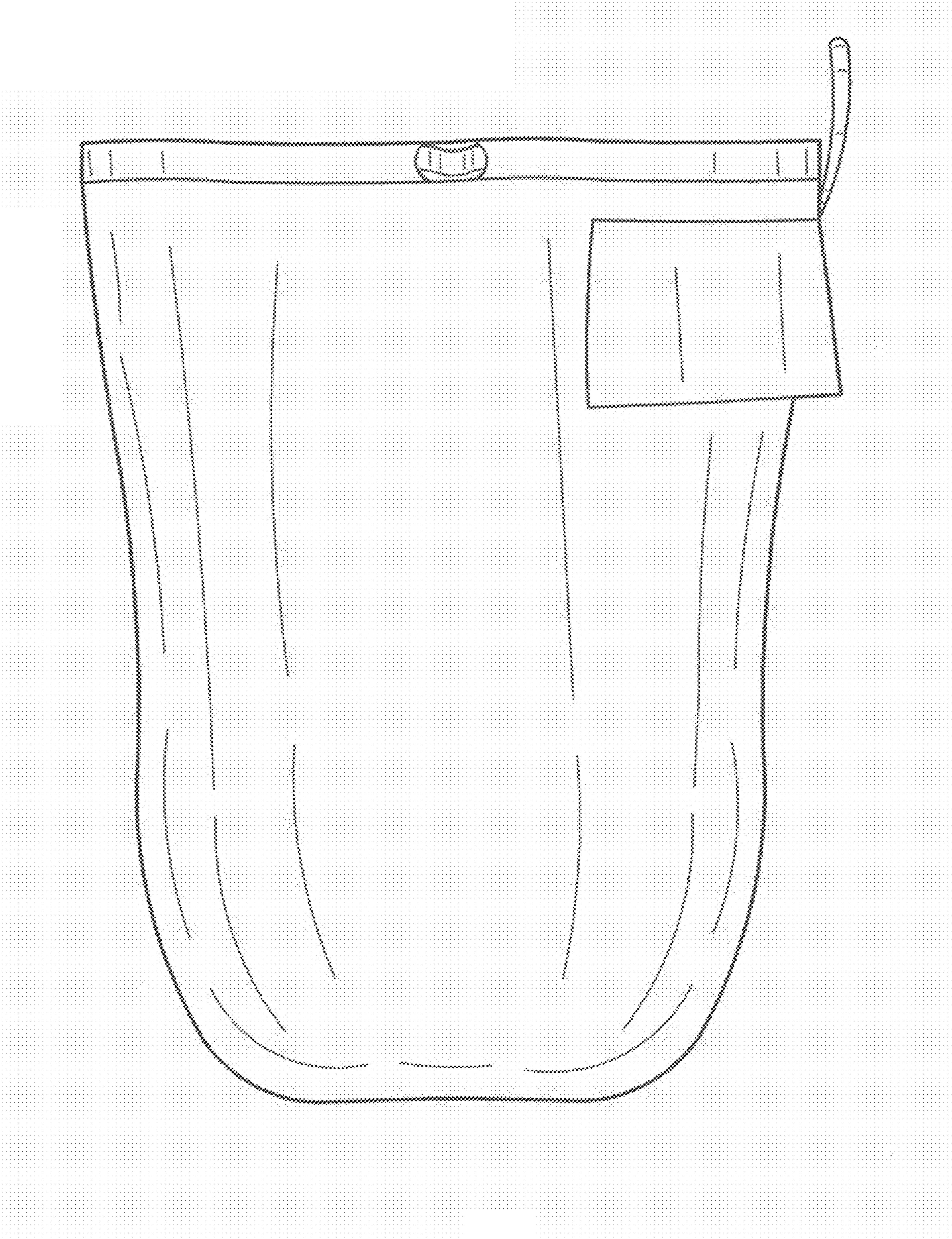


FIG. 2

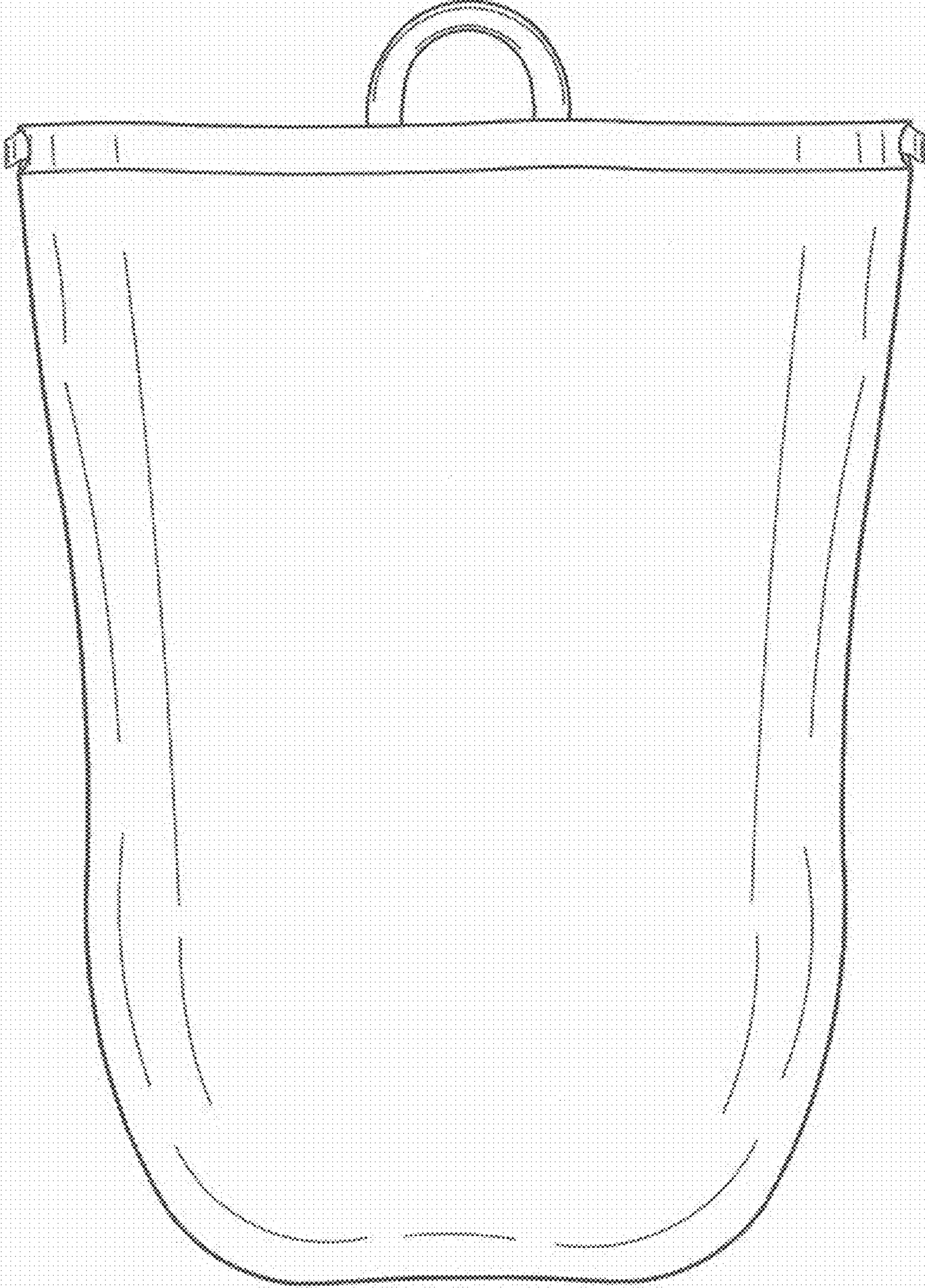


FIG. 3



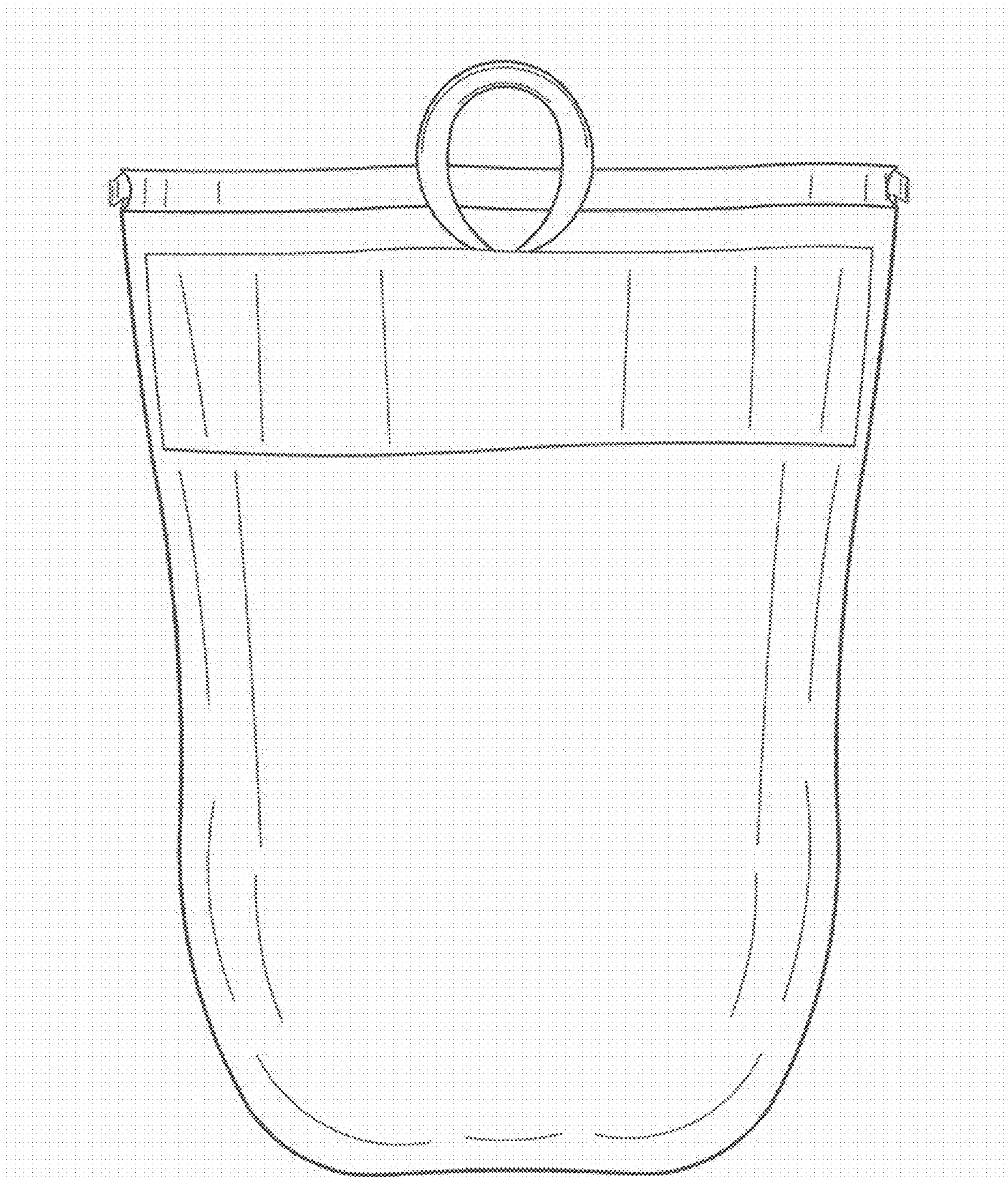


FIG. 4

FIG. 5

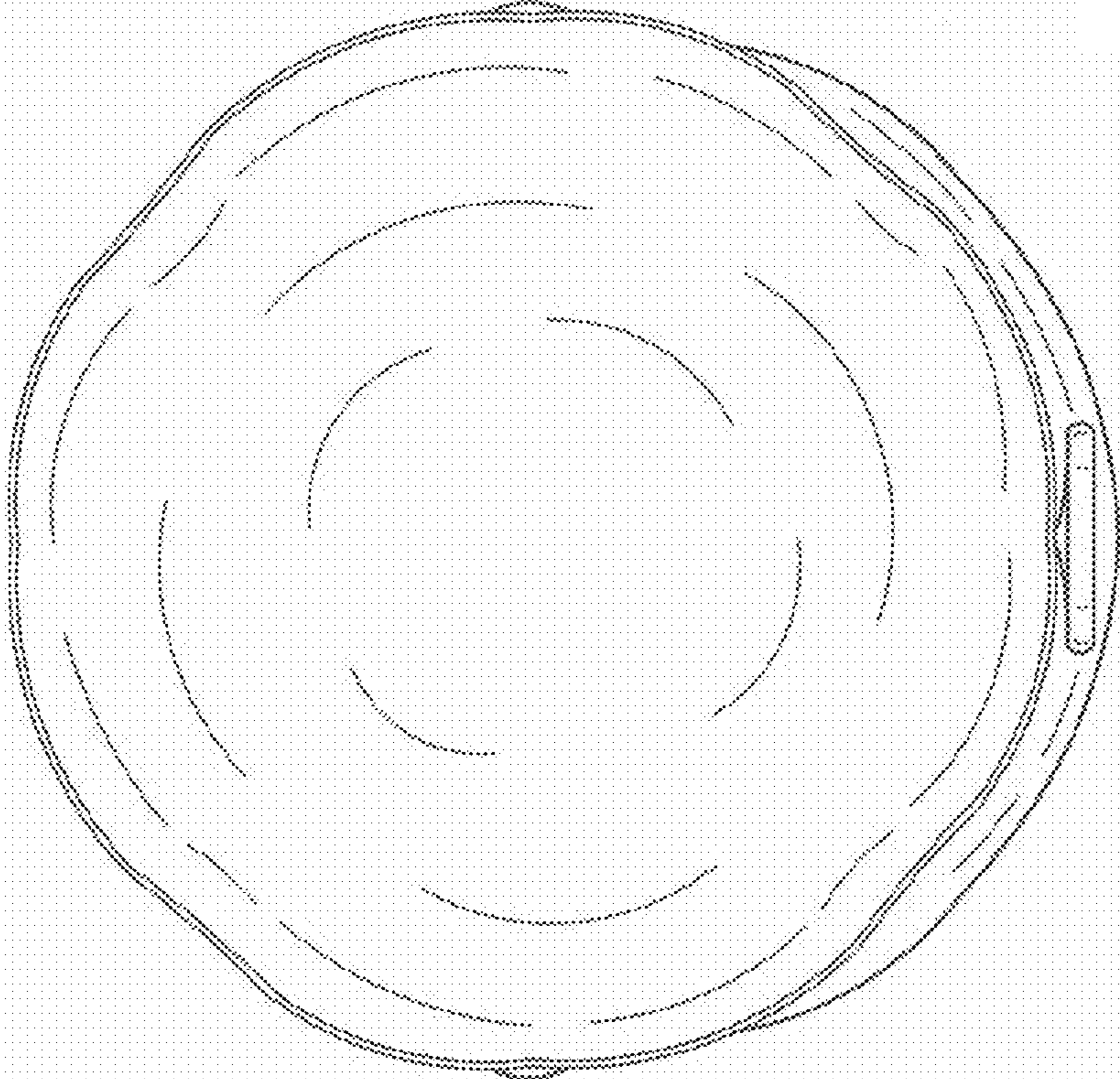
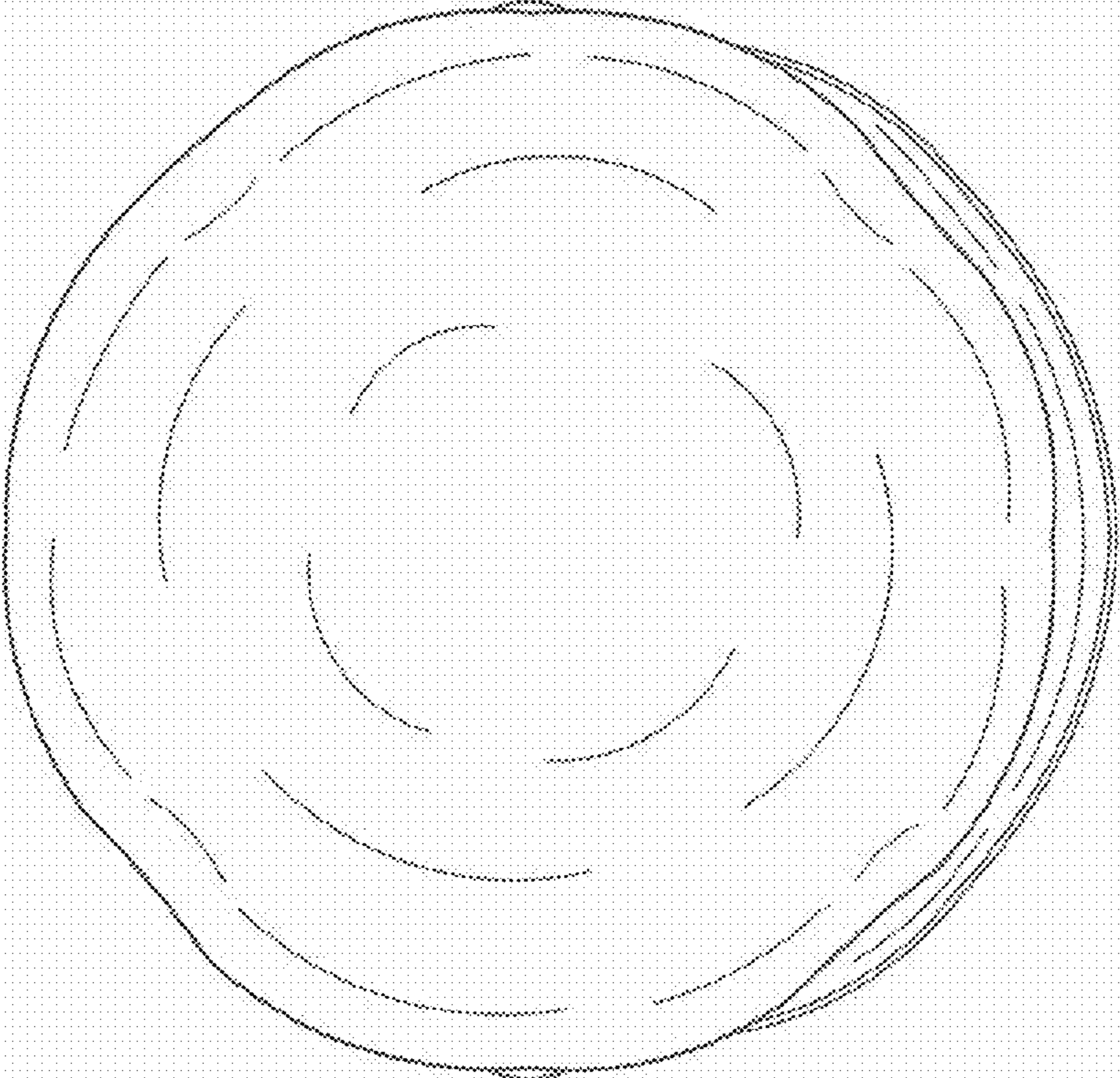


FIG. 6





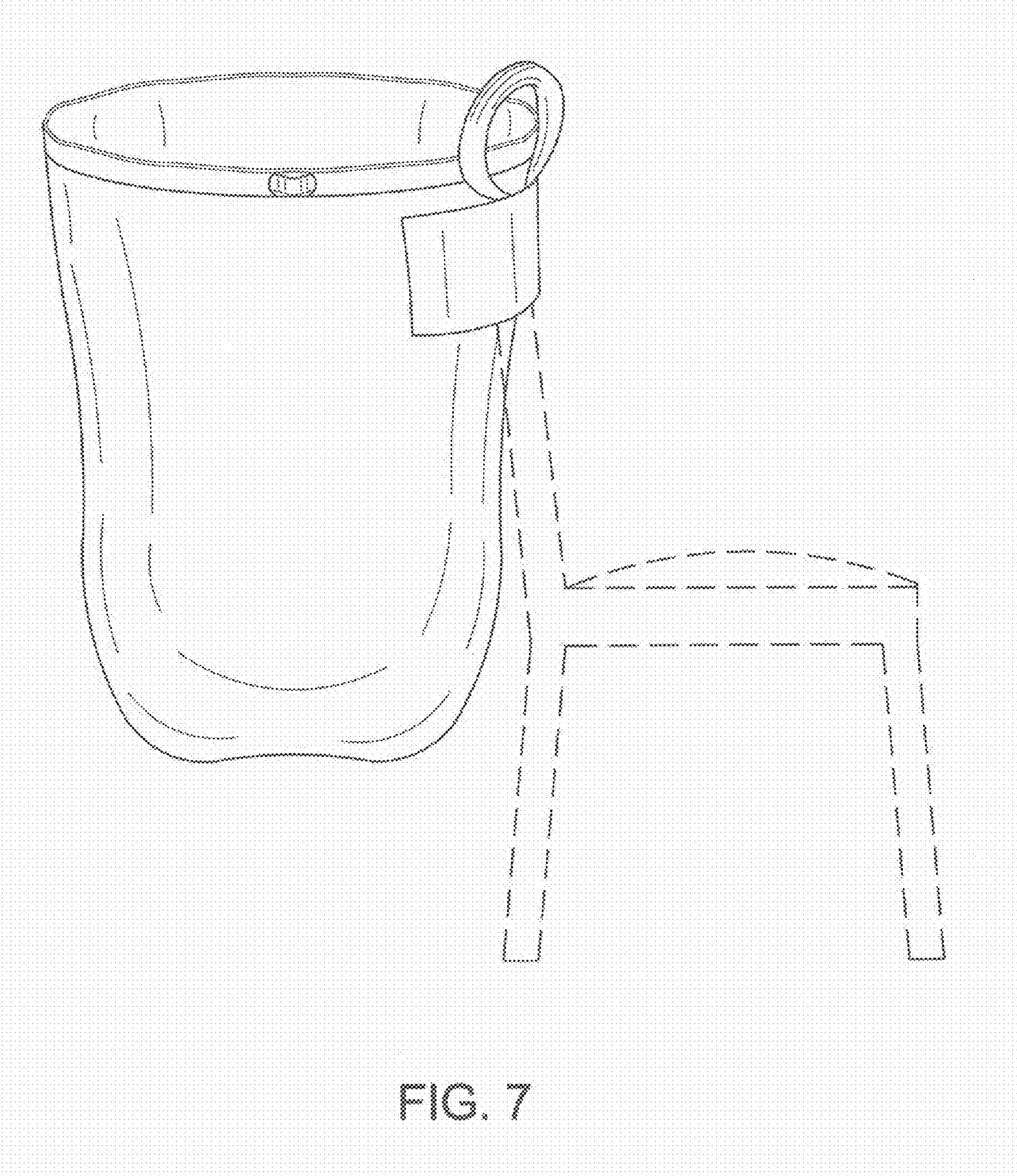


FIG. 7

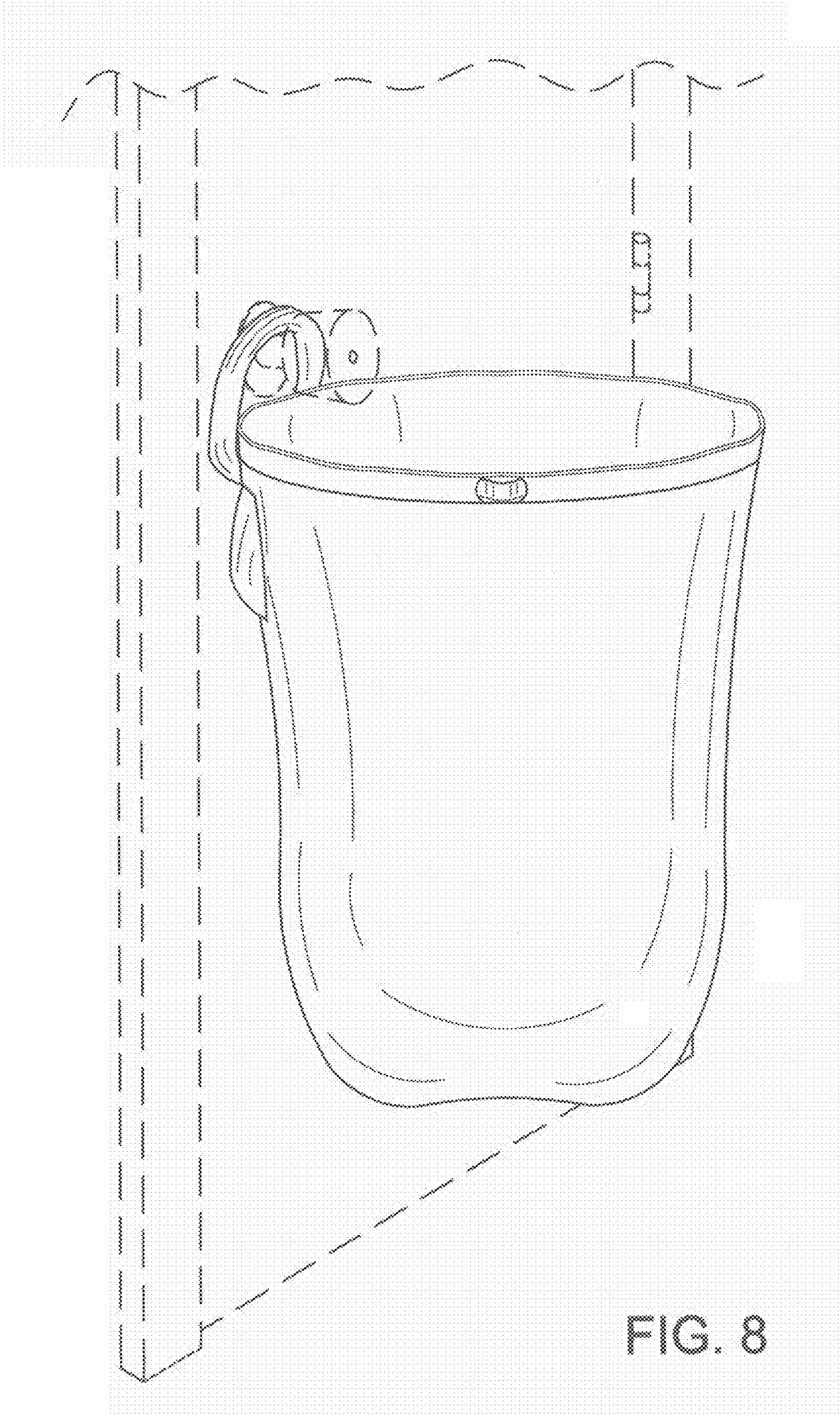


FIG. 8