



US00D641119S

(12) **United States Design Patent**
Rampton et al.

(10) **Patent No.:** **US D641,119 S**

(45) **Date of Patent:** **** Jul. 5, 2011**

(54) **CONSOLE FOR A CONTAINER,
RECEPTACLE, OR THE LIKE**

FOREIGN PATENT DOCUMENTS

CA 231261 5/1923
CA 2 541 762 10/2007

* cited by examiner

Primary Examiner — Cynthia Ramirez

(74) *Attorney, Agent, or Firm* — Alston & Bird LLP

(75) Inventors: **Kurt Rampton**, Charlotte, NC (US);
Edgar Montague, Charlotte, NC (US);
William M. Riley, Richmond, VA (US);
James A. Doerr, Richmond, VA (US);
Jason Brown, Kennesaw, GA (US);
Brian Fultz, Alpharetta, GA (US);
Claude Q. Brack, Atlanta, GA (US)

(73) Assignee: **Recall Corporation**, Norcross, GA (US)

(**) Term: **14 Years**

(21) Appl. No.: **29/369,137**

(22) Filed: **Sep. 2, 2010**

(51) **LOC (9) Cl.** **09-09**

(52) **U.S. Cl.** **D34/1**

(58) **Field of Classification Search** D34/1-11;
220/908, 908.1, 910, 911, 913

See application file for complete search history.

(56) **References Cited**

U.S. PATENT DOCUMENTS

4,032,037 A * 6/1977 Dubery et al. 220/825
D256,089 S * 7/1980 Adamson D34/8
D318,549 S * 7/1991 Delmerico D34/7
D326,344 S * 5/1992 Fitermann et al. D34/11
5,165,564 A 11/1992 Prout et al.
5,322,179 A * 6/1994 Ting 220/495.07
D358,325 S * 5/1995 McNaughton D6/515
D462,838 S * 9/2002 Van Landingham D3/304
6,902,080 B2 6/2005 Busch
D536,148 S * 1/2007 Schiefer et al. D34/1
D545,521 S 6/2007 Titas et al.
D594,169 S 6/2009 Connor et al.
D602,667 S * 10/2009 Barbieri D34/1
D611,218 S 3/2010 Connor et al.
D625,067 S * 10/2010 Shannon D34/1
2006/0191949 A1 8/2006 Miller et al.

(57) **CLAIM**

The ornamental design for a console for a container, receptacle, or the like, as shown and described.

DESCRIPTION

FIG. 1 is a perspective view of a console showing our new design;

FIG. 2 is a front elevation view thereof;

FIG. 3 is a rear elevation view thereof;

FIG. 4 is a left side elevation view thereof;

FIG. 5 is a right side elevation view thereof;

FIG. 6 is a top plan view thereof;

FIG. 7 is a bottom plan view thereof;

FIG. 8 is another perspective view thereof shown with a container, receptacle, or the like removed;

FIG. 9 is another front elevation view thereof shown with the container, receptacle, or the like removed;

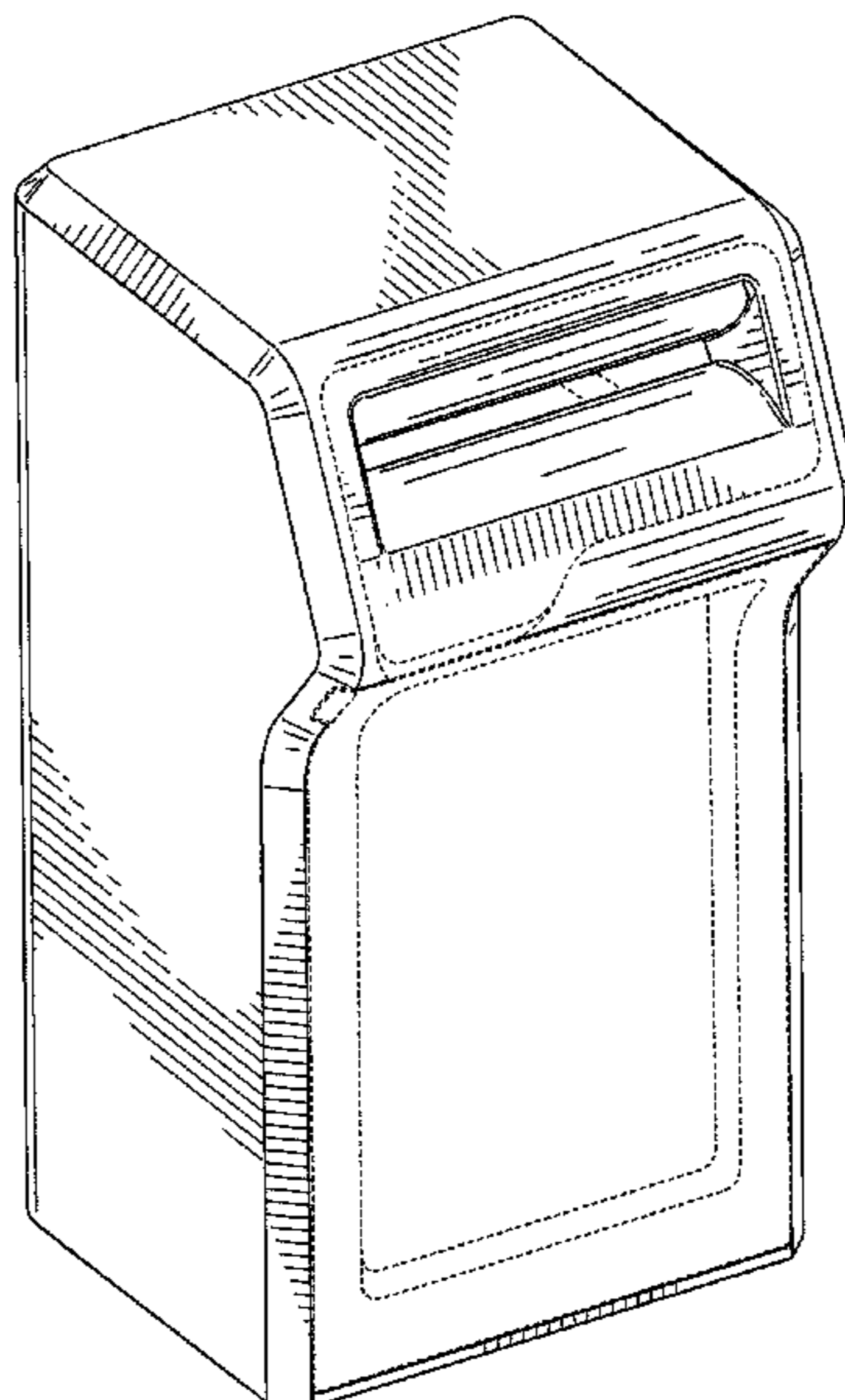
FIG. 10 is another left side elevation view thereof shown with the container, receptacle, or the like removed;

FIG. 11 is another right side elevation view thereof shown with the container, receptacle, or the like removed; and,

FIG. 12 is another bottom plan view thereof shown with the container, receptacle, or the like removed.

The broken lines immediately adjacent shaded areas represent bounds of the claimed design and environment while all other broken lines are directed to environment and are for illustrative purposes only. The broken lines form no part of the claimed design.

1 Claim, 12 Drawing Sheets



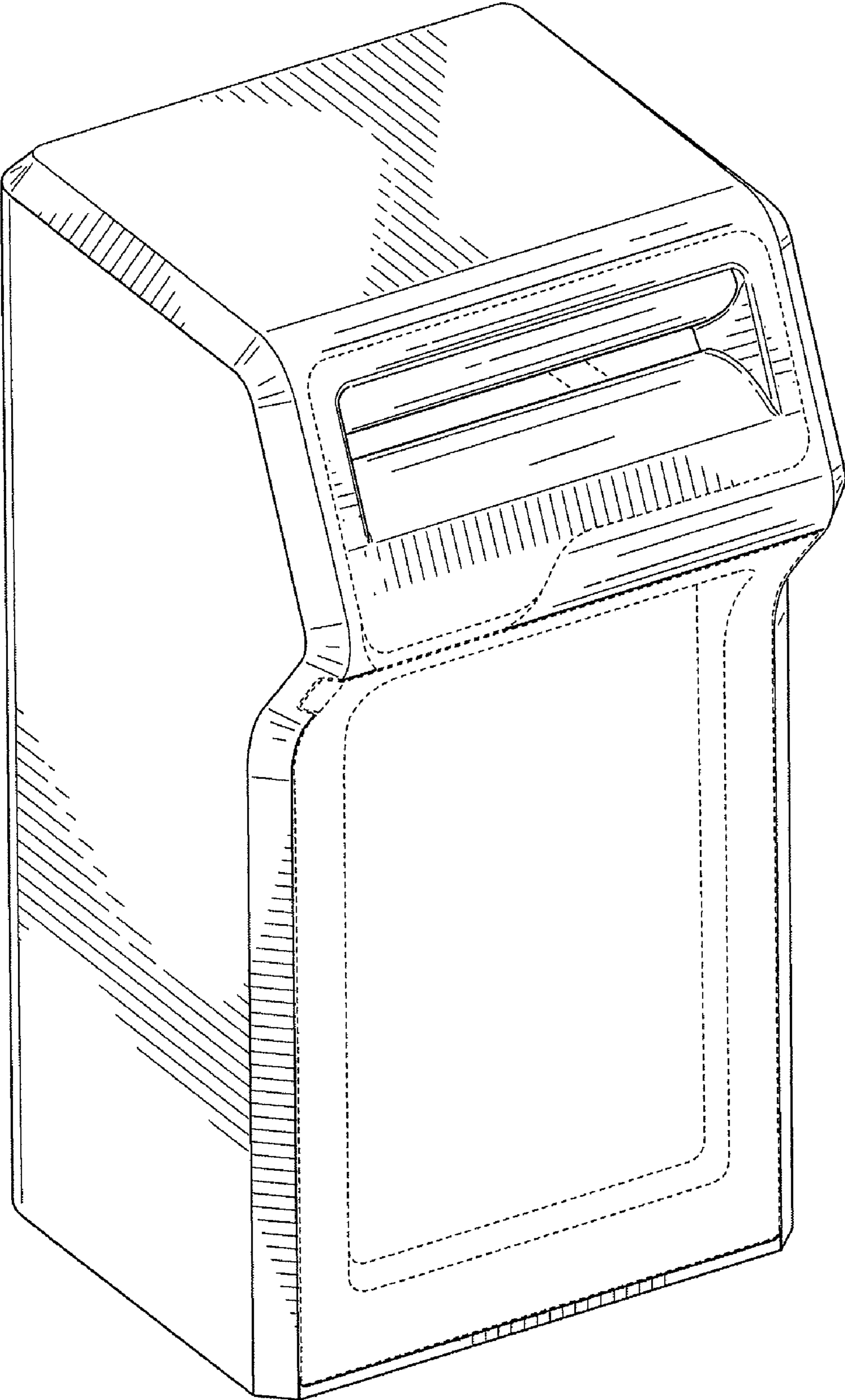


FIG. 1

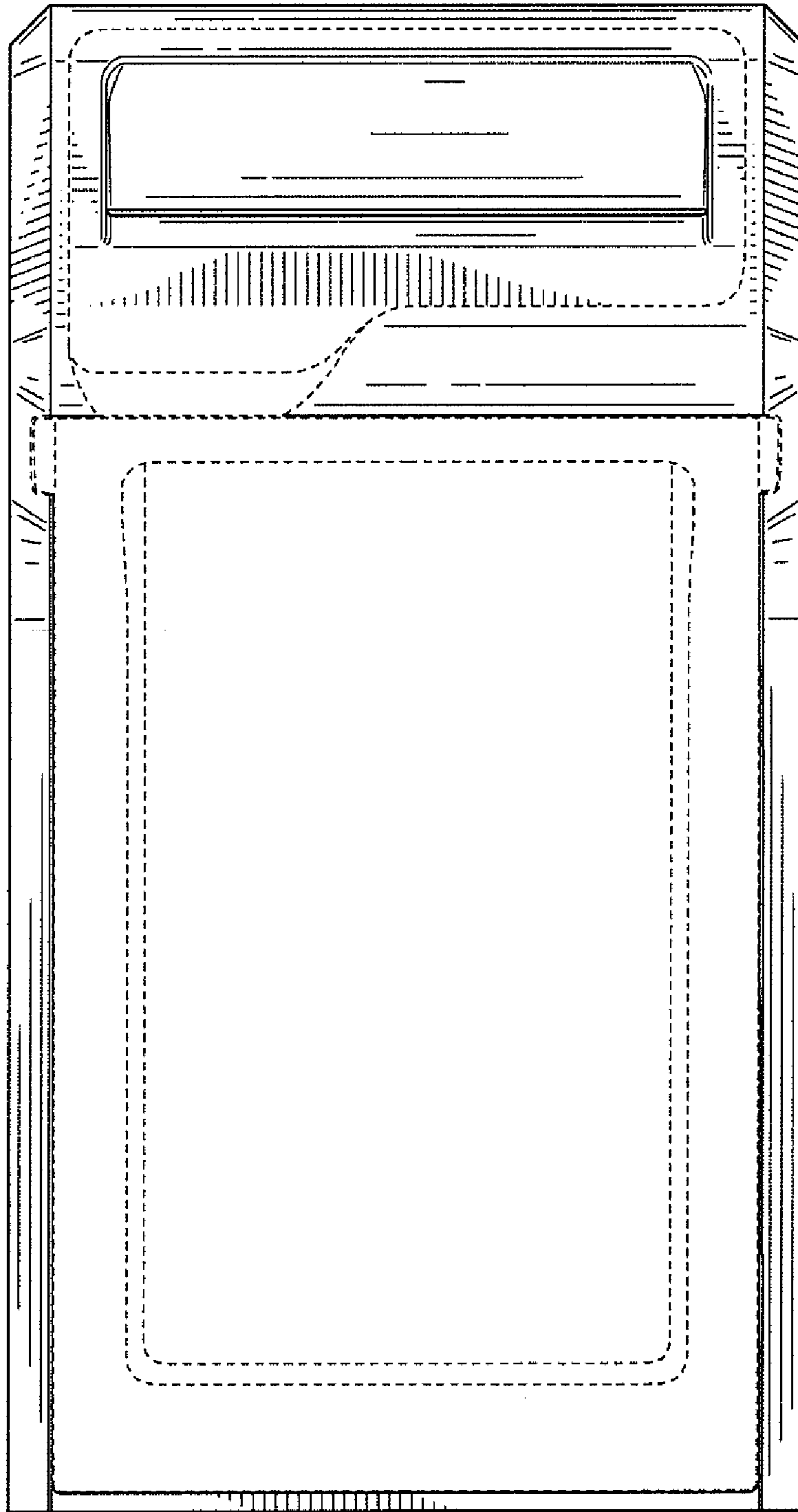


FIG. 2

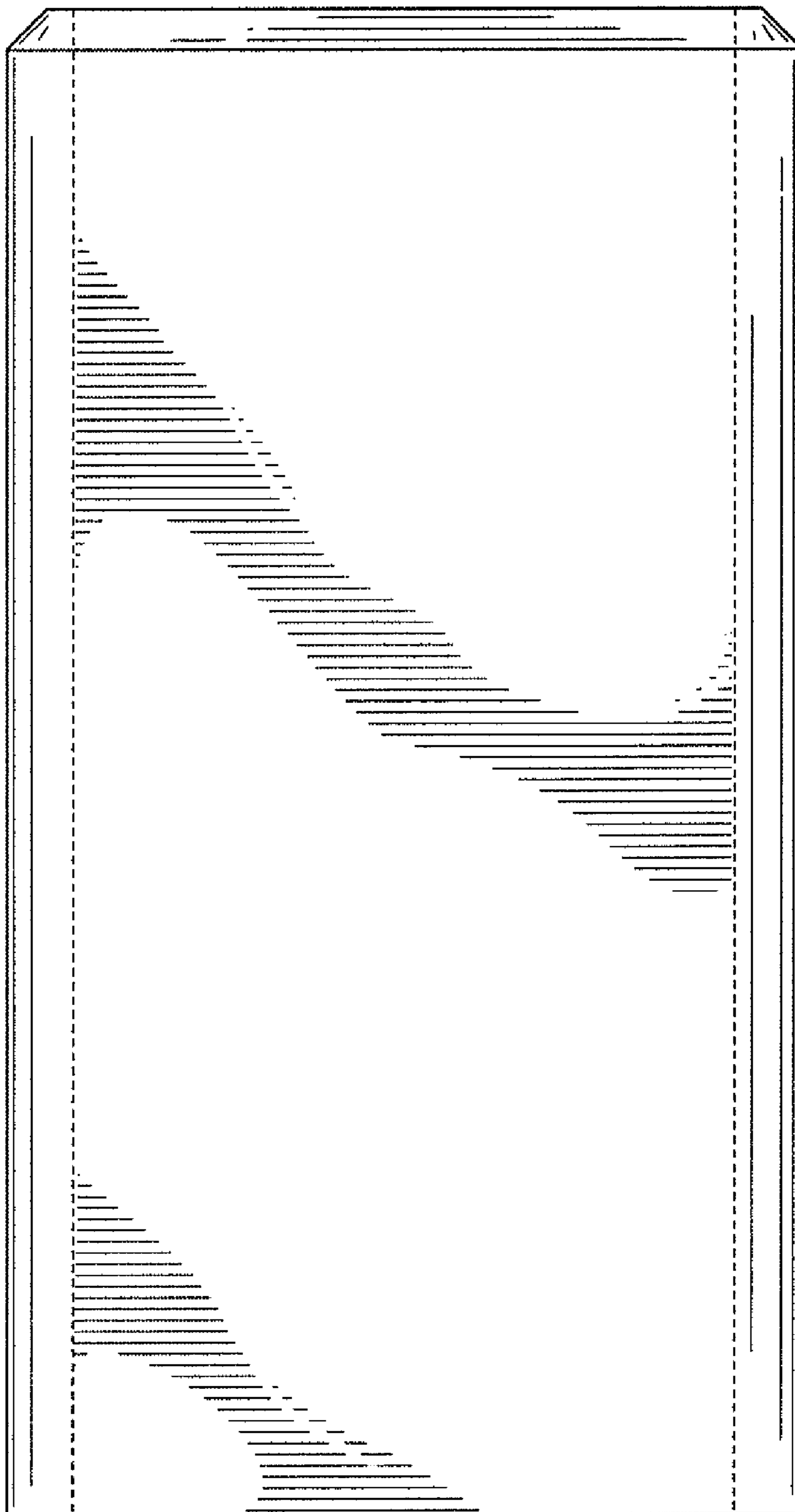


FIG. 3

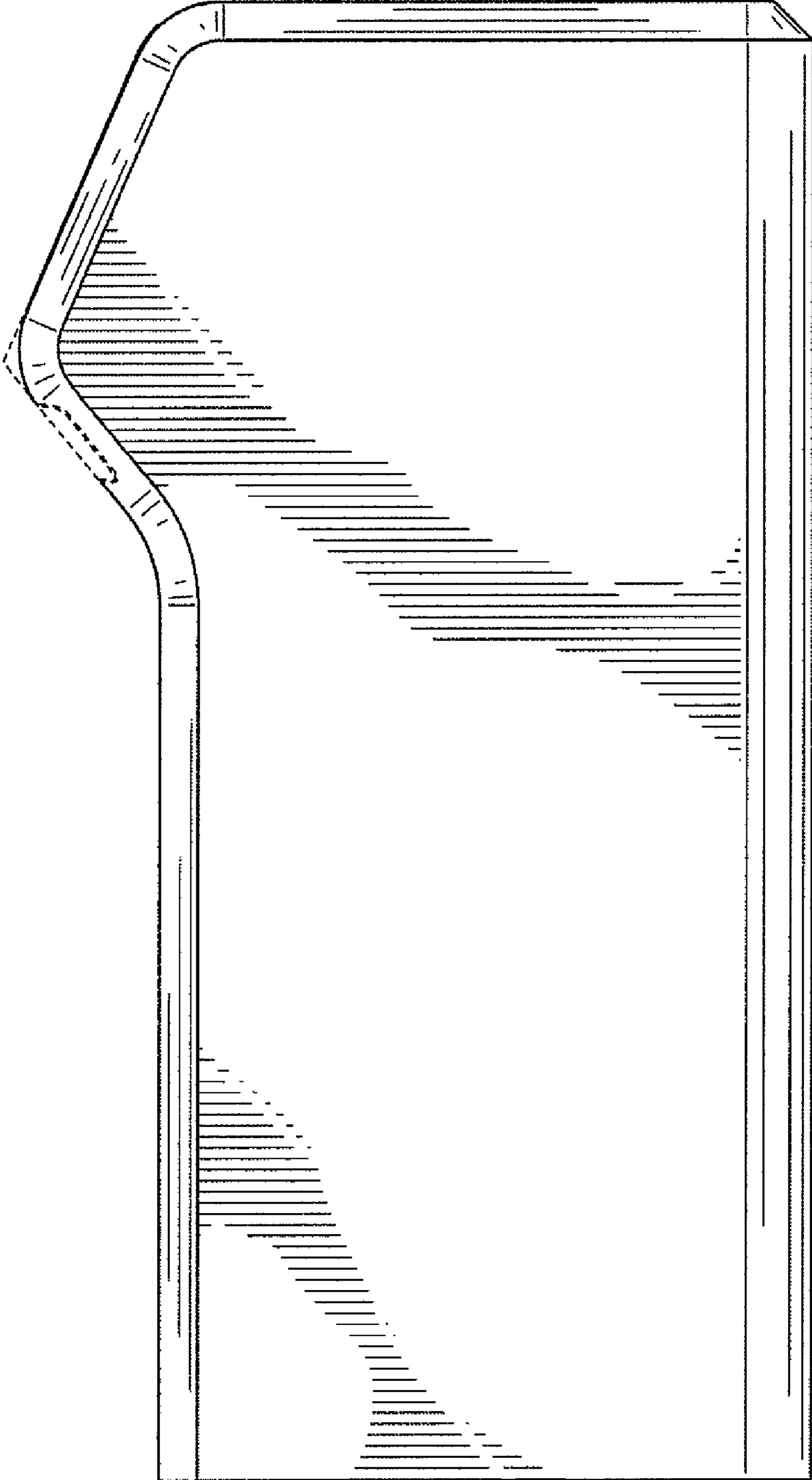


FIG. 4

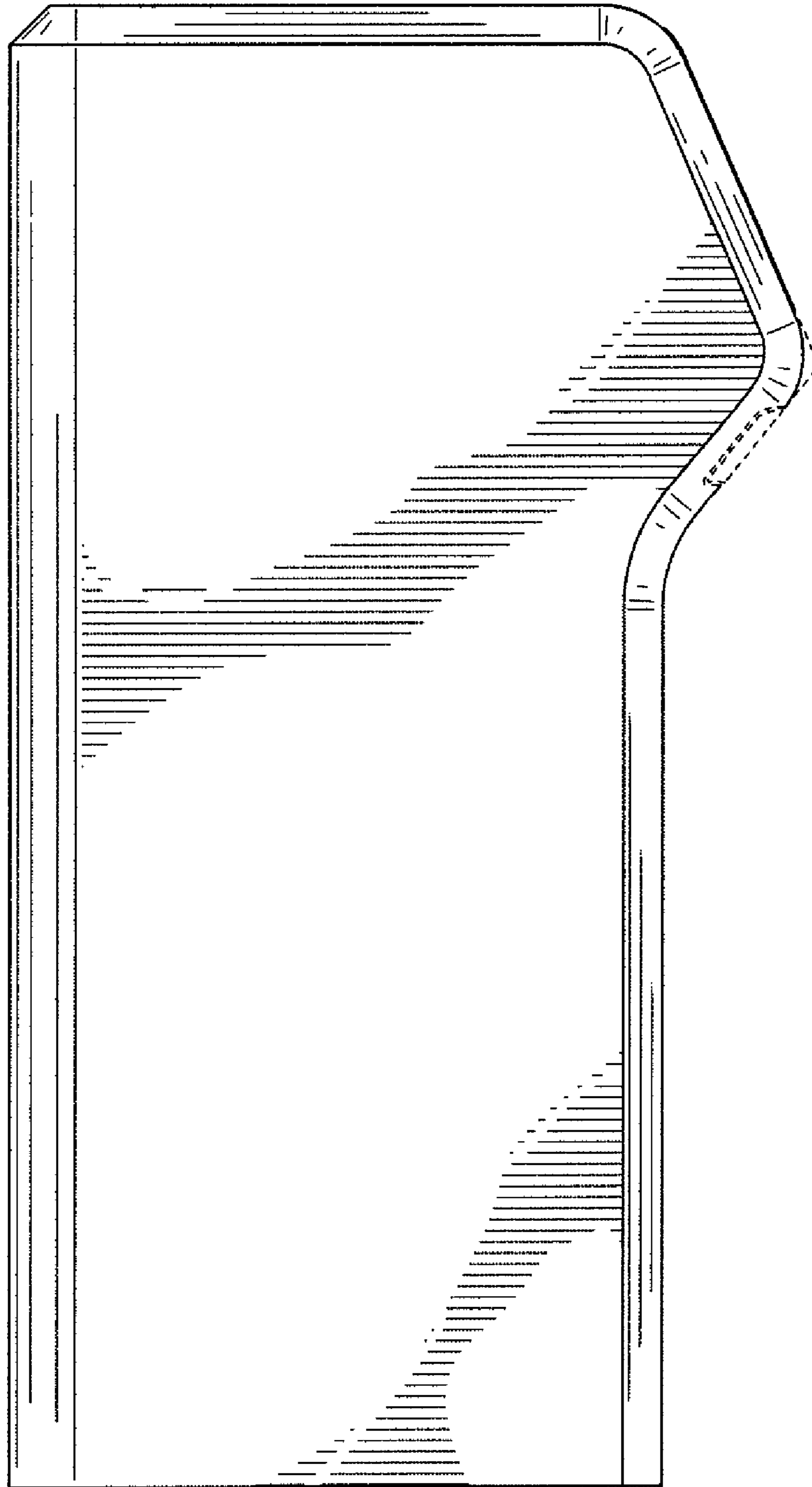


FIG. 5

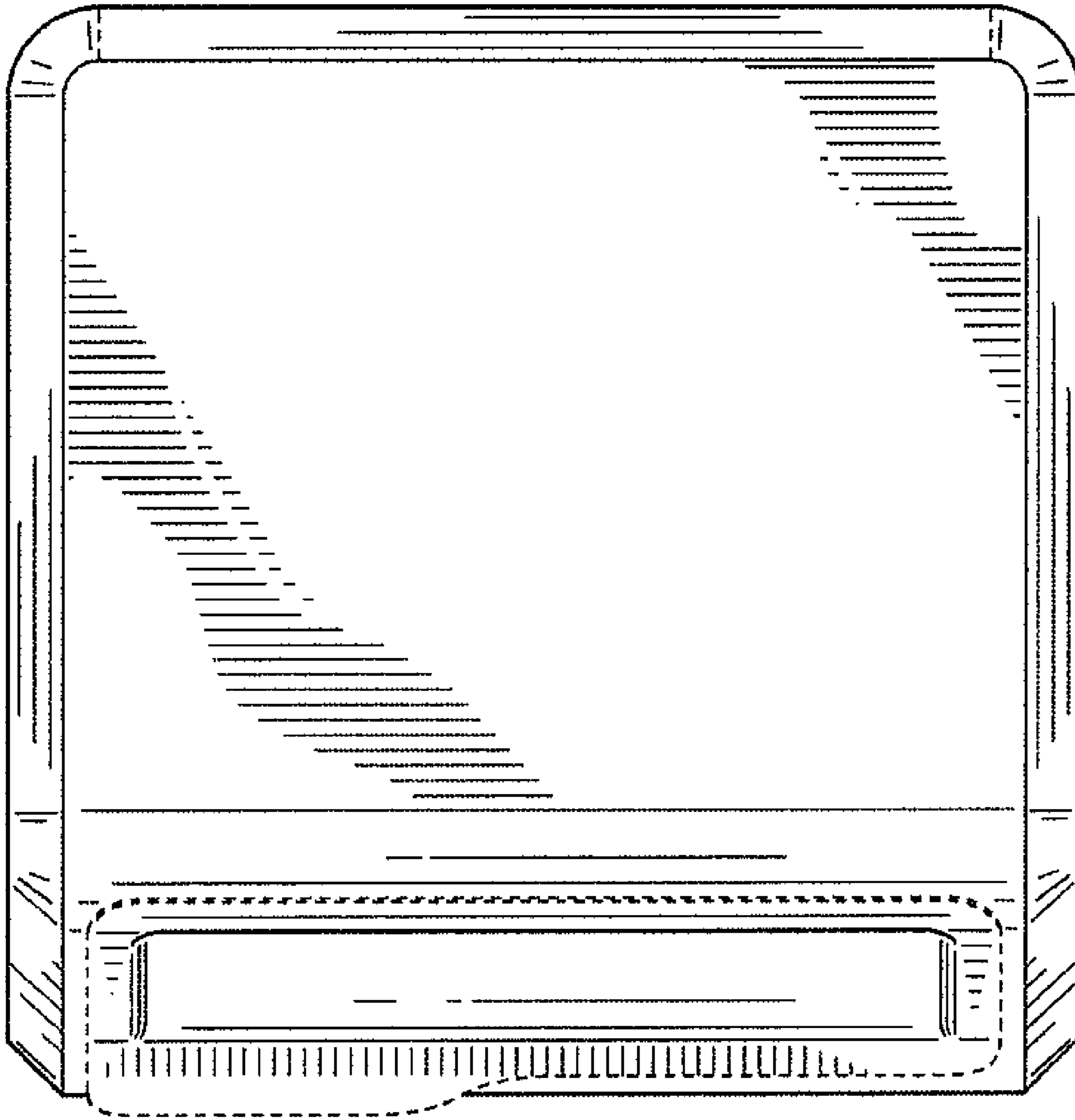


FIG. 6

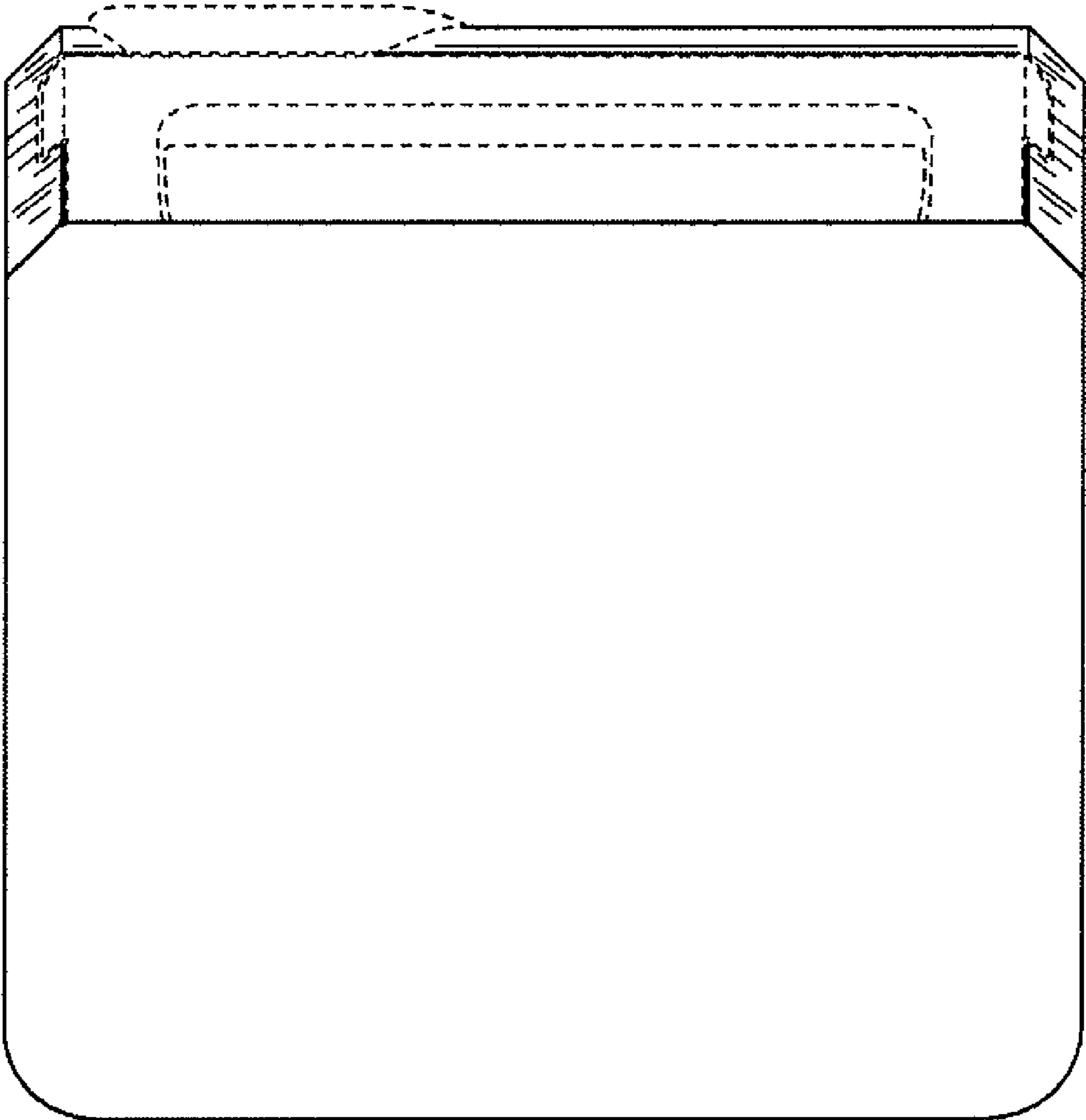


FIG. 7

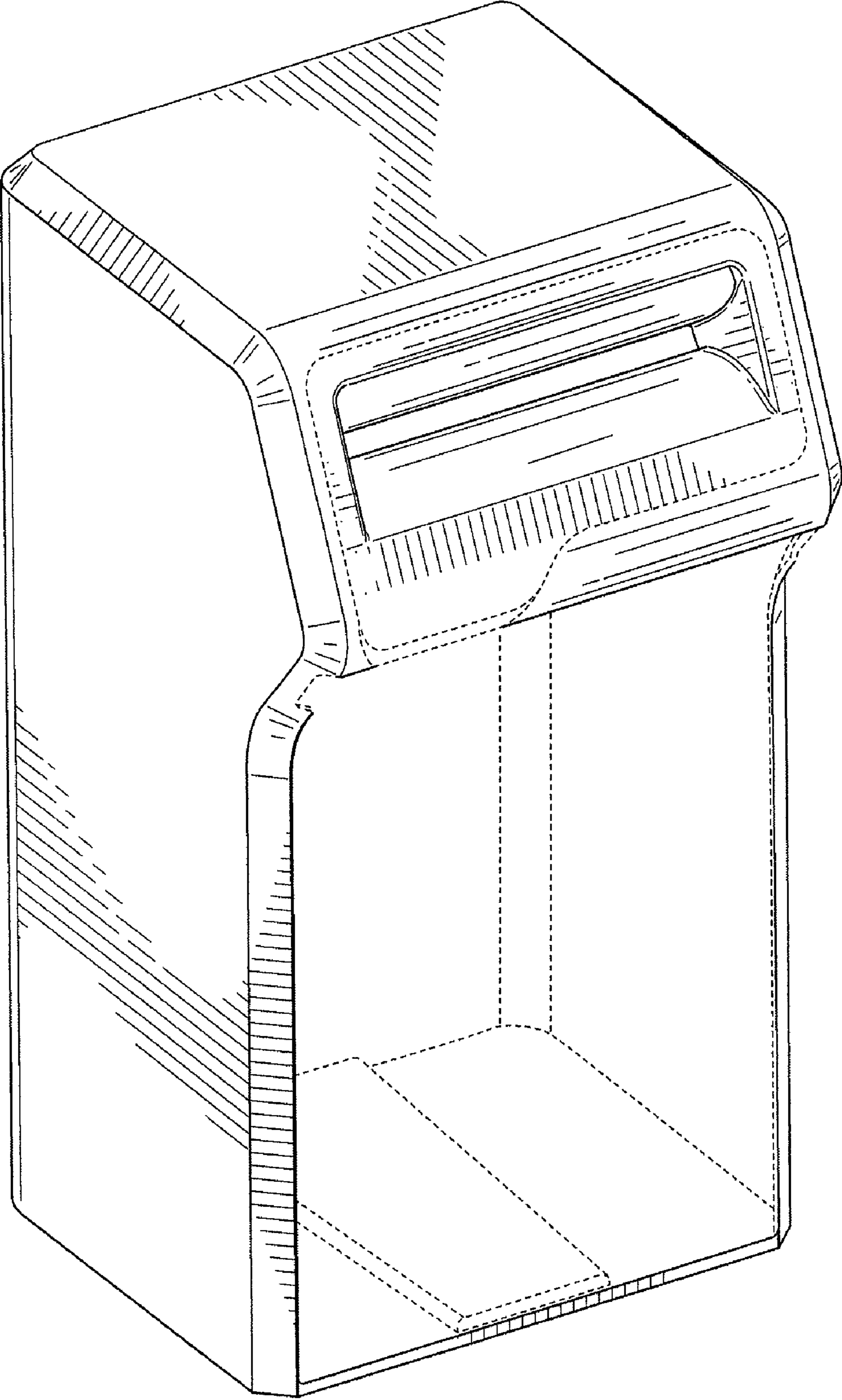


FIG. 8

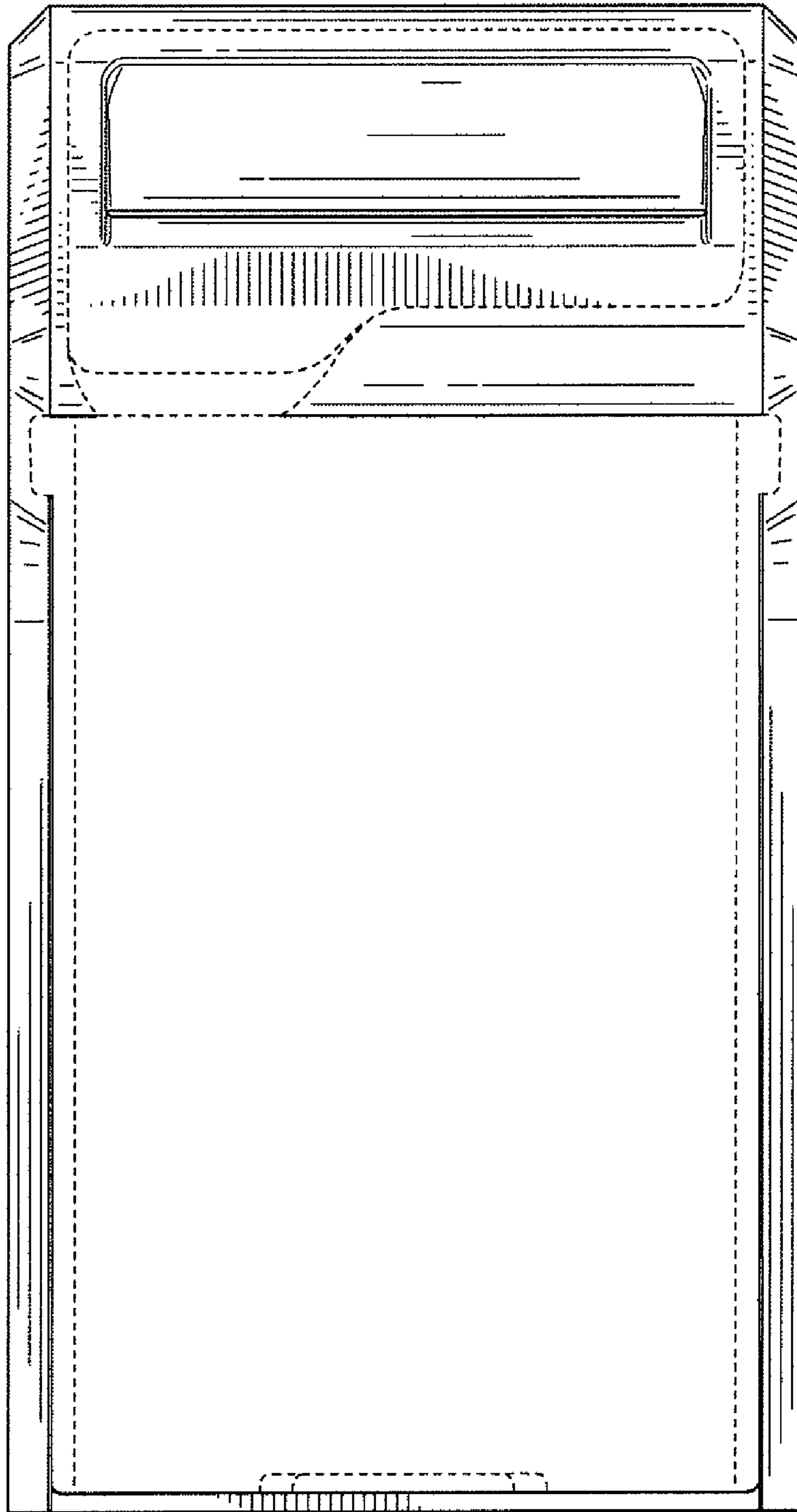


FIG. 9

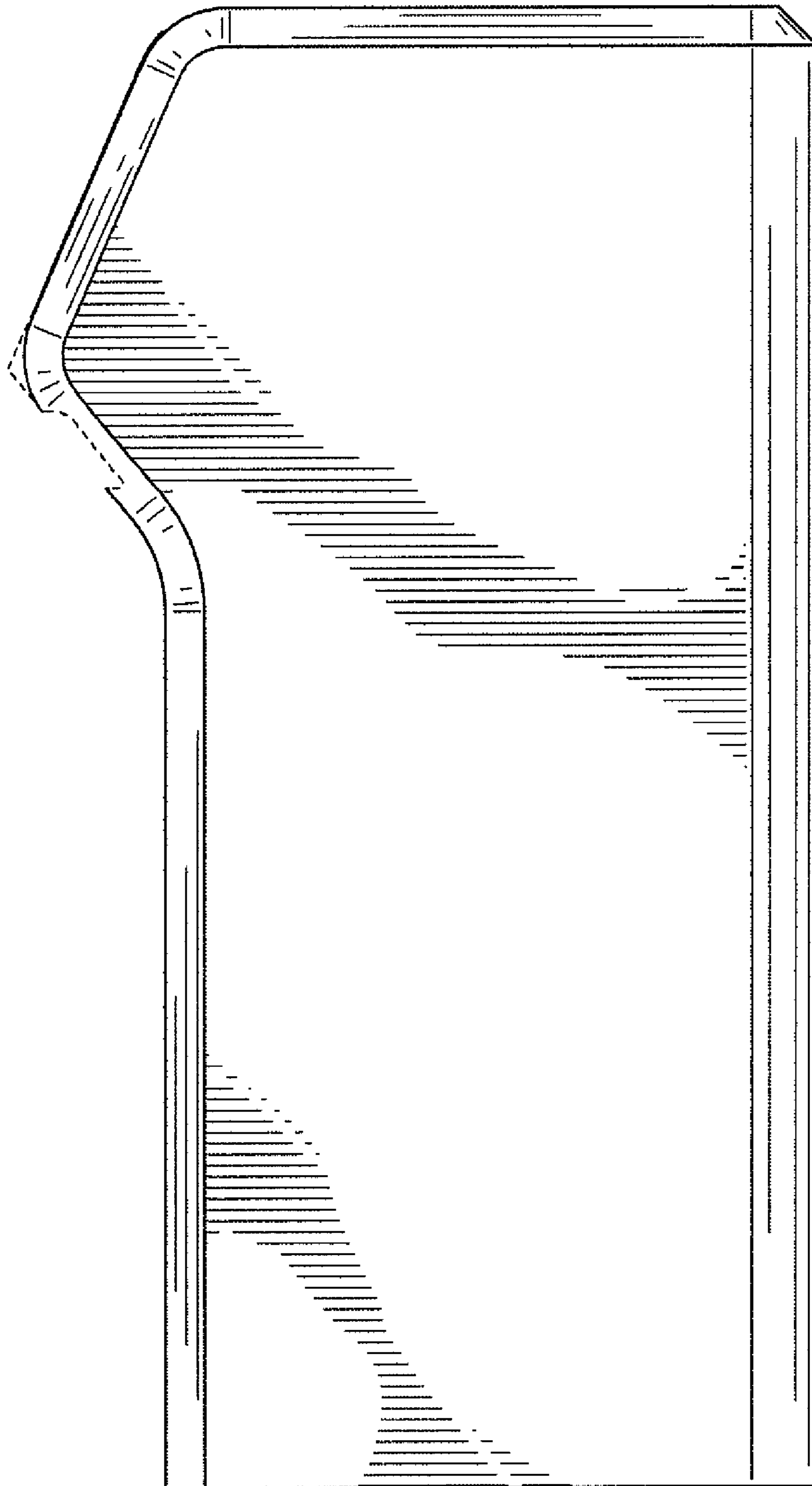


FIG. 10

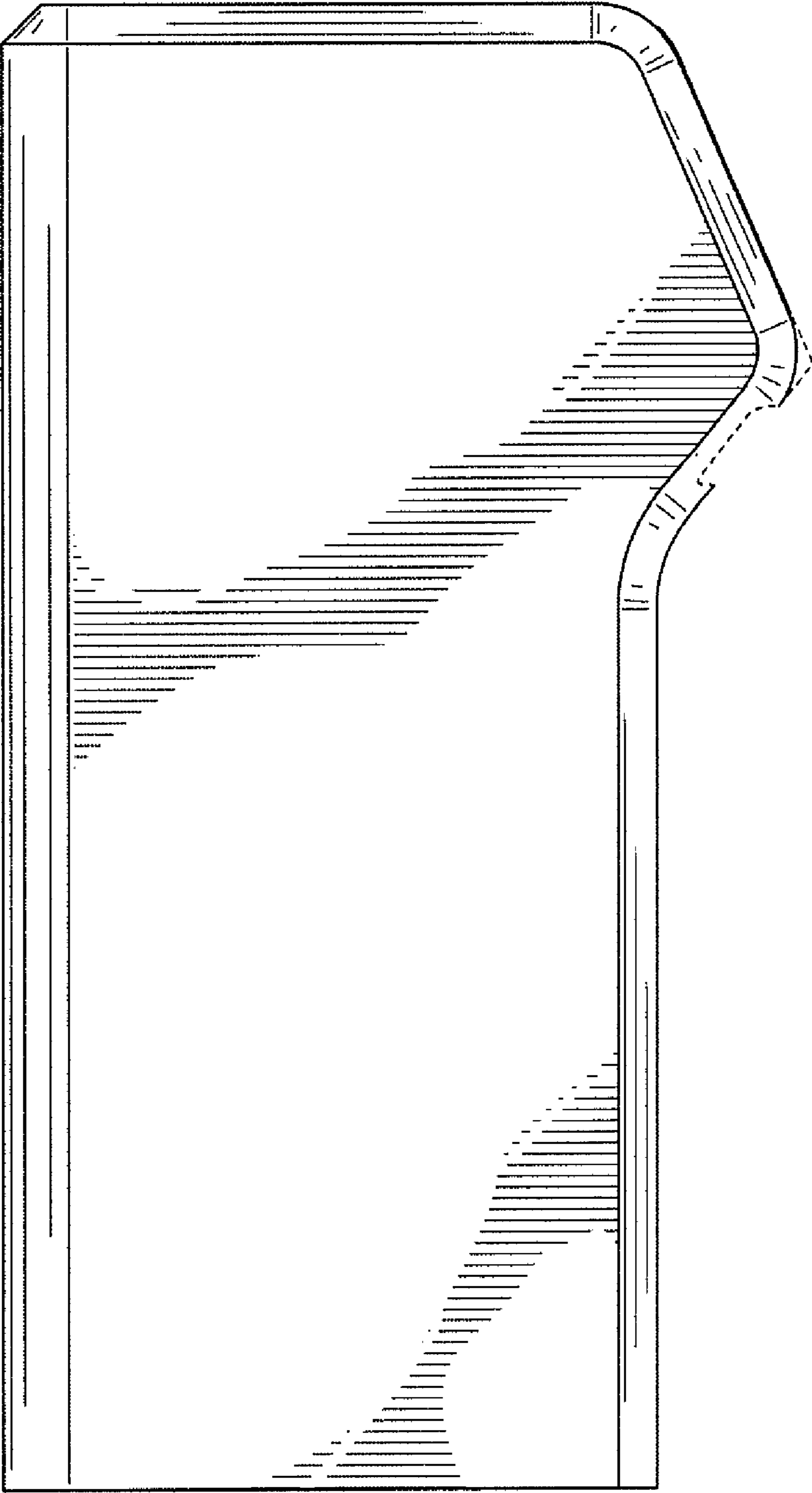


FIG. 11

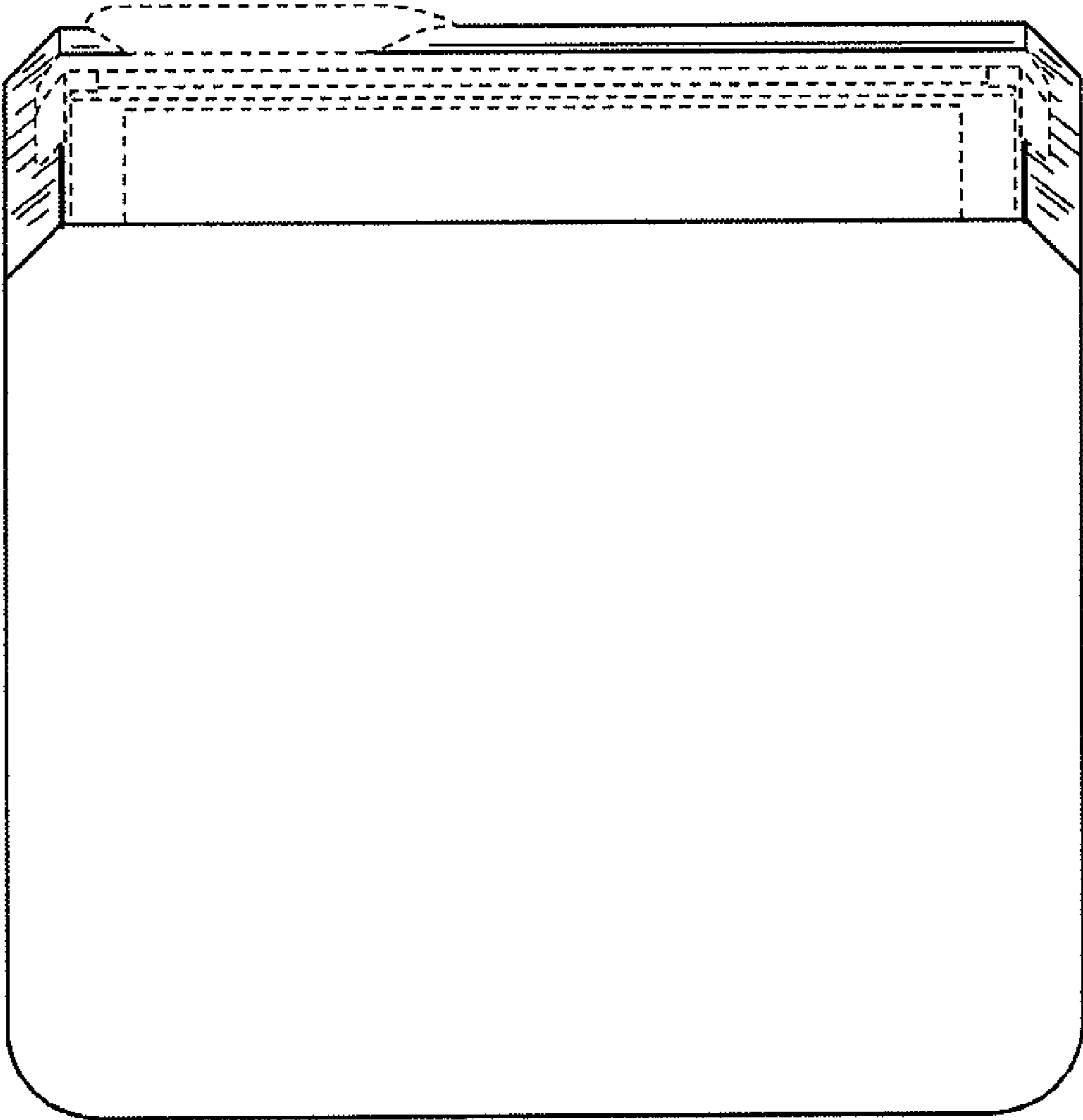


FIG. 12