



US00D641118S

(12) **United States Design Patent**
Rampton et al.

(10) **Patent No.:** **US D641,118 S**
(45) **Date of Patent:** **** Jul. 5, 2011**

(54) **RECEPTACLE**

(75) Inventors: **Kurt Rampton**, Charlotte, NC (US);
Edgar Montague, Charlotte, NC (US);
William M. Riley, Richmond, VA (US);
James A. Doerr, Richmond, VA (US)

(73) Assignee: **Recall Corporation**, Norcross, GA (US)

(**) Term: **14 Years**

(21) Appl. No.: **29/369,136**

(22) Filed: **Sep. 2, 2010**

(51) **LOC (9) Cl.** **09-09**

(52) **U.S. Cl.** **D34/1**

(58) **Field of Classification Search** D34/1-11;
220/908, 908.1, 910, 911, 913

See application file for complete search history.

(56) **References Cited**

U.S. PATENT DOCUMENTS

4,032,037	A *	6/1977	Dubery et al.	220/825
D256,089	S *	7/1980	Adamson	D34/8
D318,549	S *	7/1991	Delmerico	D34/7
D326,344	S *	5/1992	Fitermann et al.	D34/11
5,165,564	A	11/1992	Prout et al.		
5,322,179	A *	6/1994	Ting	220/495.07
D358,325	S *	5/1995	McNaughton	D6/515
D462,838	S *	9/2002	Van Landingham	D3/304
6,902,080	B2	6/2005	Busch		
D536,148	S *	1/2007	Schiefer et al.	D34/1
D545,521	S	6/2007	Titas et al.		
D594,169	S	6/2009	Connor et al.		
D602,667	S *	10/2009	Barbieri	D34/1

D611,218	S	3/2010	Connor et al.		
D625,067	S *	10/2010	Shannon	D34/1
2006/0191949	A1	8/2006	Miller et al.		

FOREIGN PATENT DOCUMENTS

CA	231261	5/1923
CA	2 541 762	10/2007

* cited by examiner

Primary Examiner — Cynthia Ramirez

(74) *Attorney, Agent, or Firm* — Alston & Bird LLP

(57) **CLAIM**

The ornamental design for a receptacle, as shown and described.

DESCRIPTION

FIG. 1 is a perspective view of a receptacle showing our new design;

FIG. 2 is another perspective view thereof;

FIG. 3 is a front elevation view thereof;

FIG. 4 is a rear elevation view thereof;

FIG. 5 is a left side elevation view thereof, the right side being a mirror image;

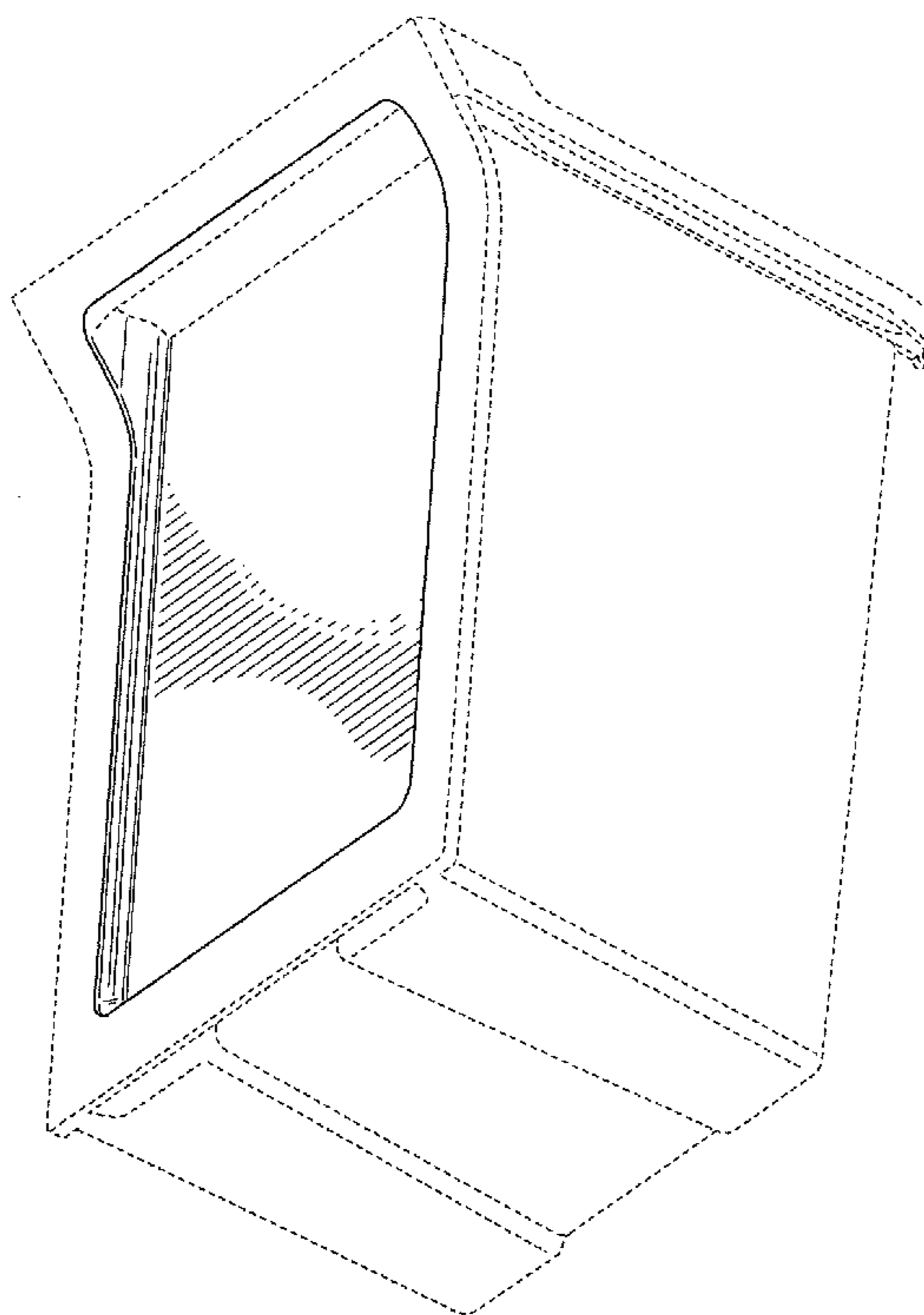
FIG. 6 is a top plan view thereof;

FIG. 7 is a bottom plan view thereof; and,

FIG. 8 is a left side elevation cross-section view thereof taken along line 8—8 of FIG. 3.

The broken lines immediately adjacent shaded areas represent bounds of the claimed design and environment while all other broken lines are directed to environment and are for illustrative purposes only. The broken lines form no part of the claimed design.

1 Claim, 8 Drawing Sheets



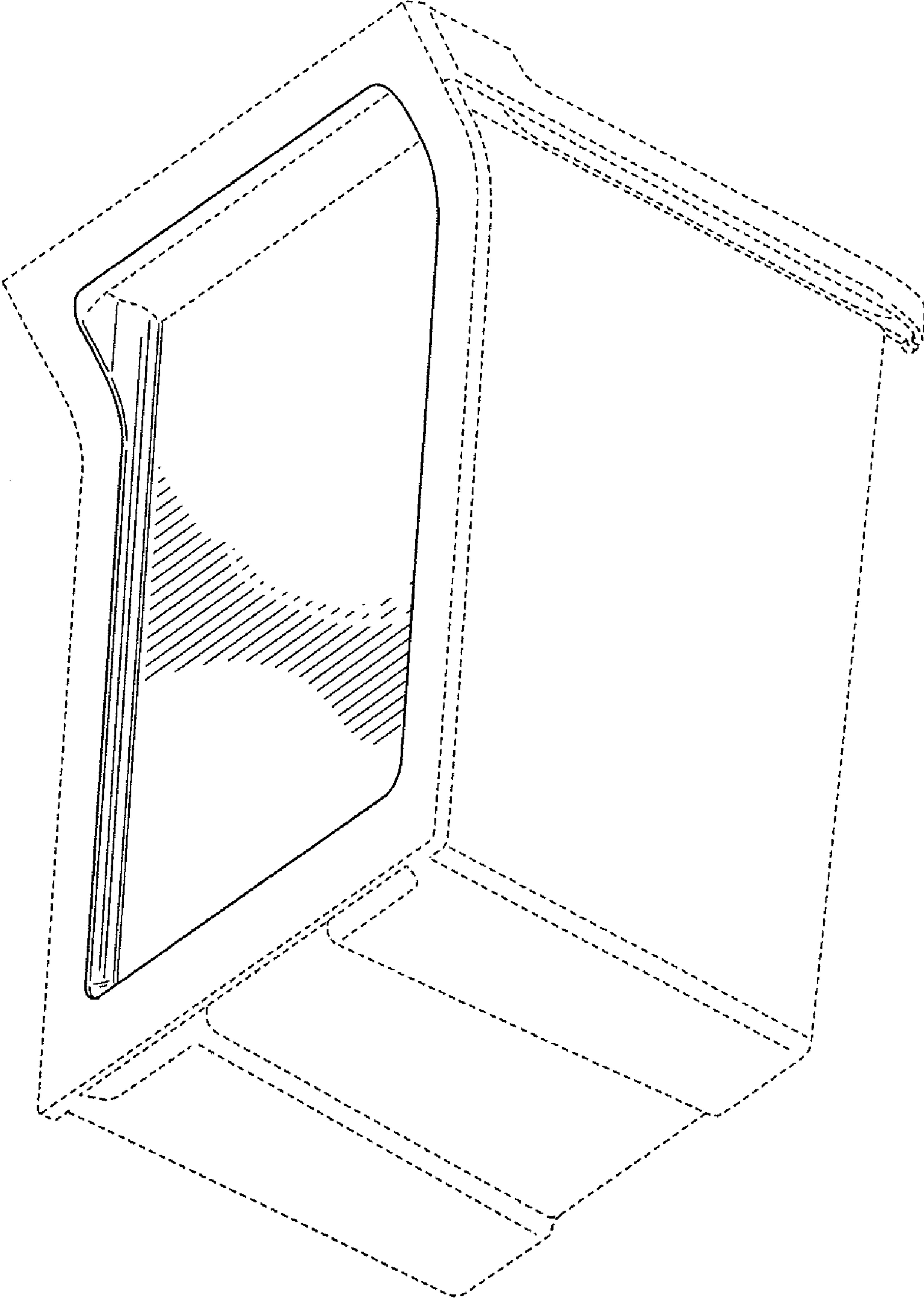


FIG. 1

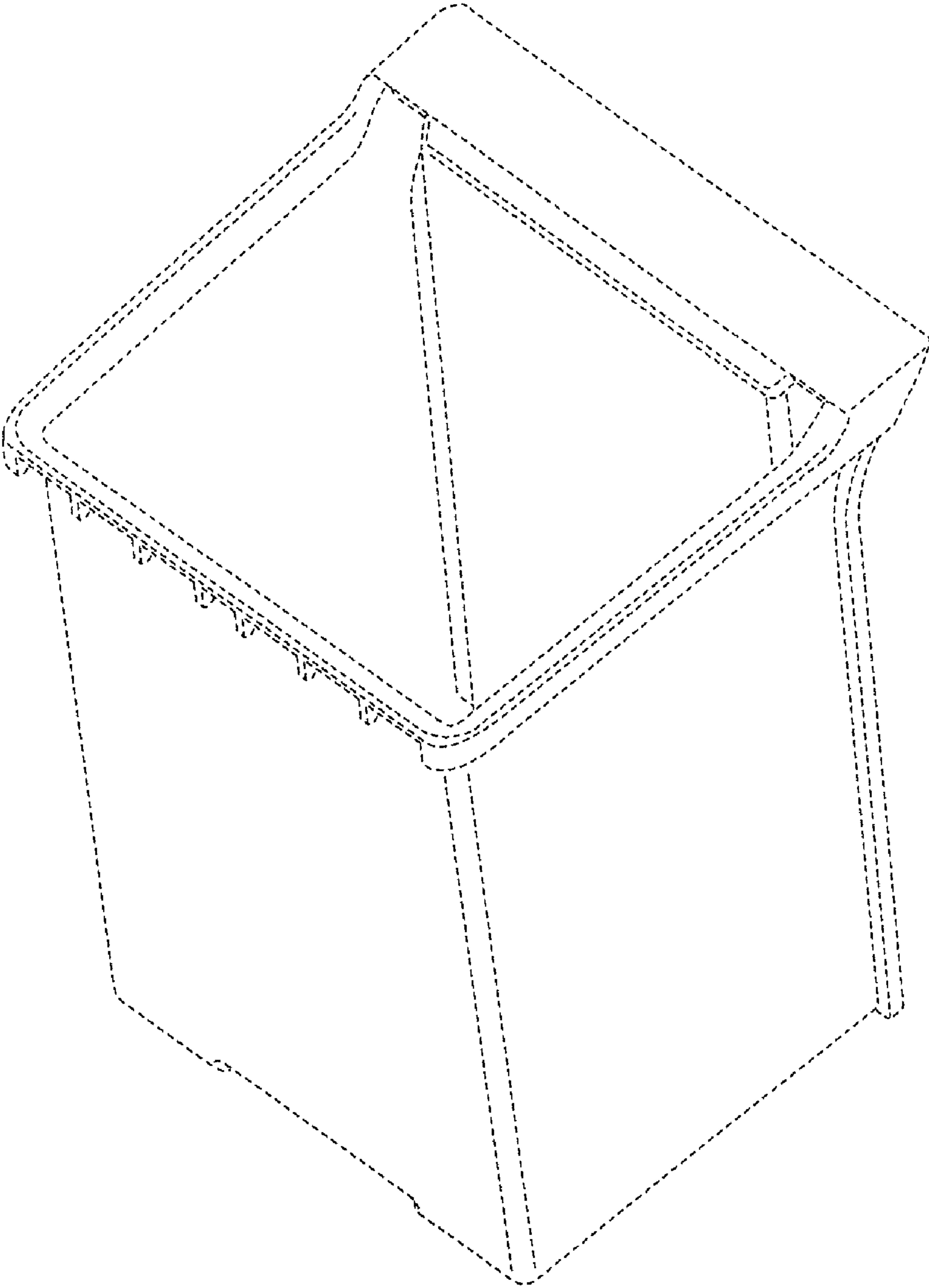


FIG. 2

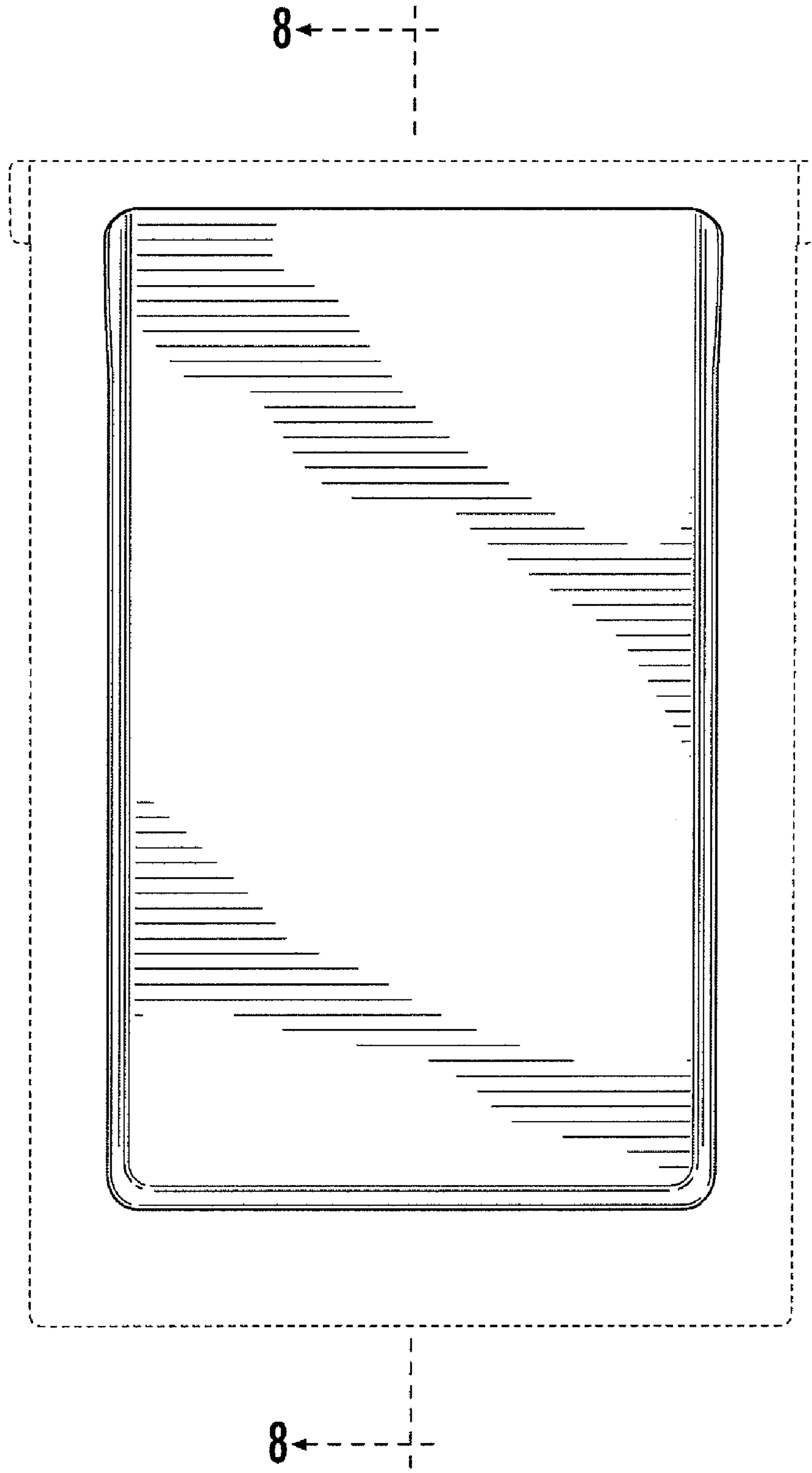


FIG. 3

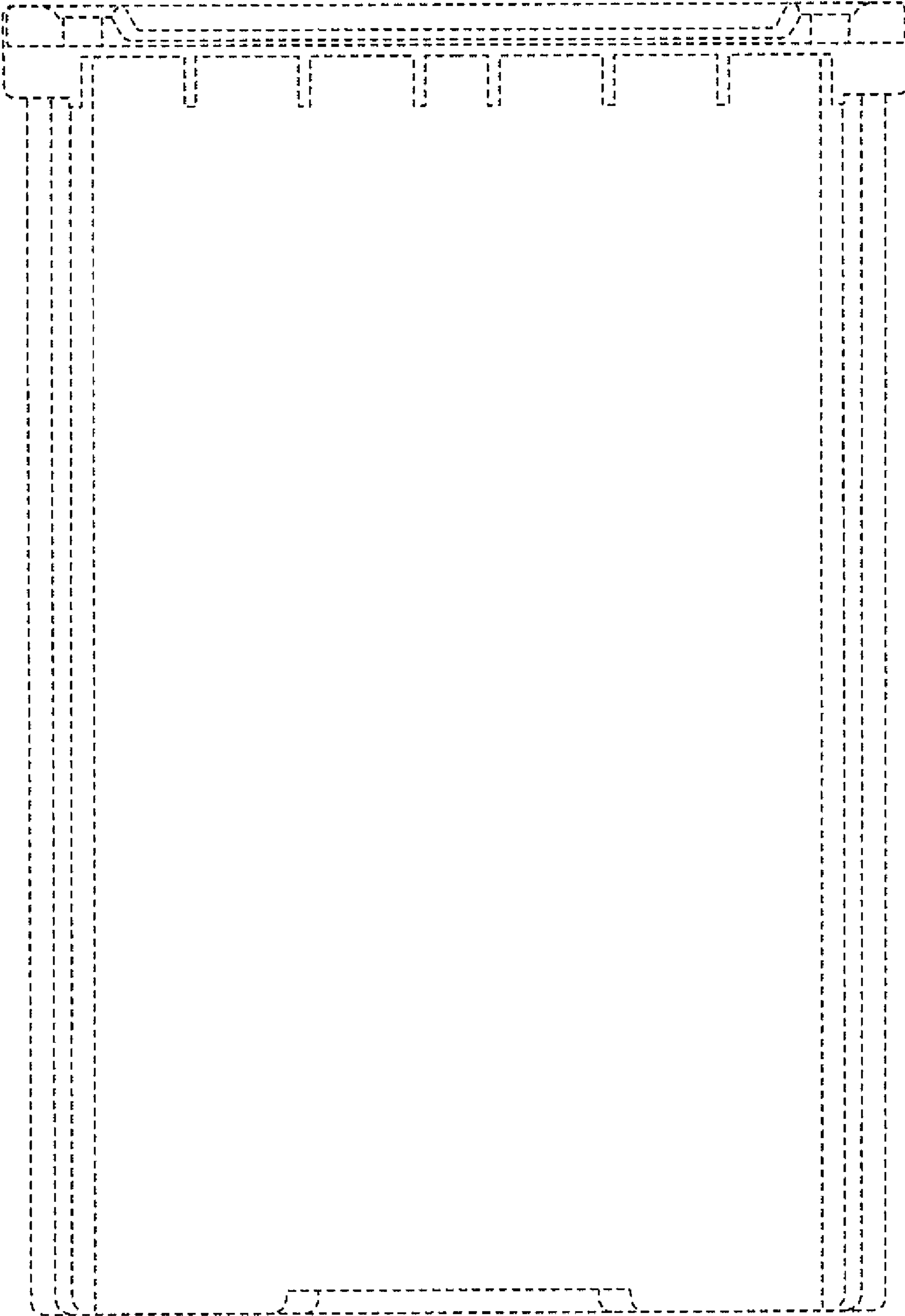


FIG. 4

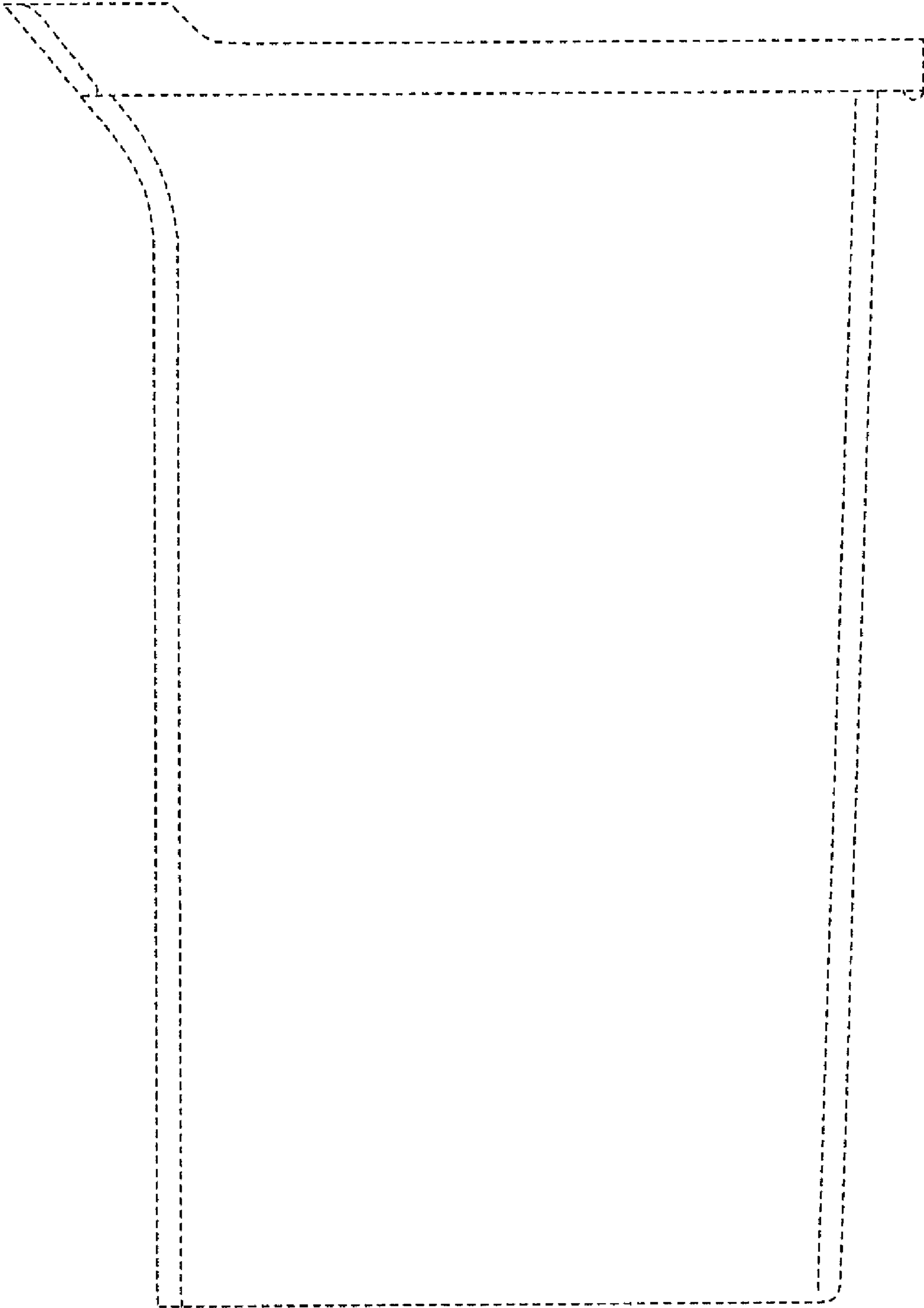


FIG. 5

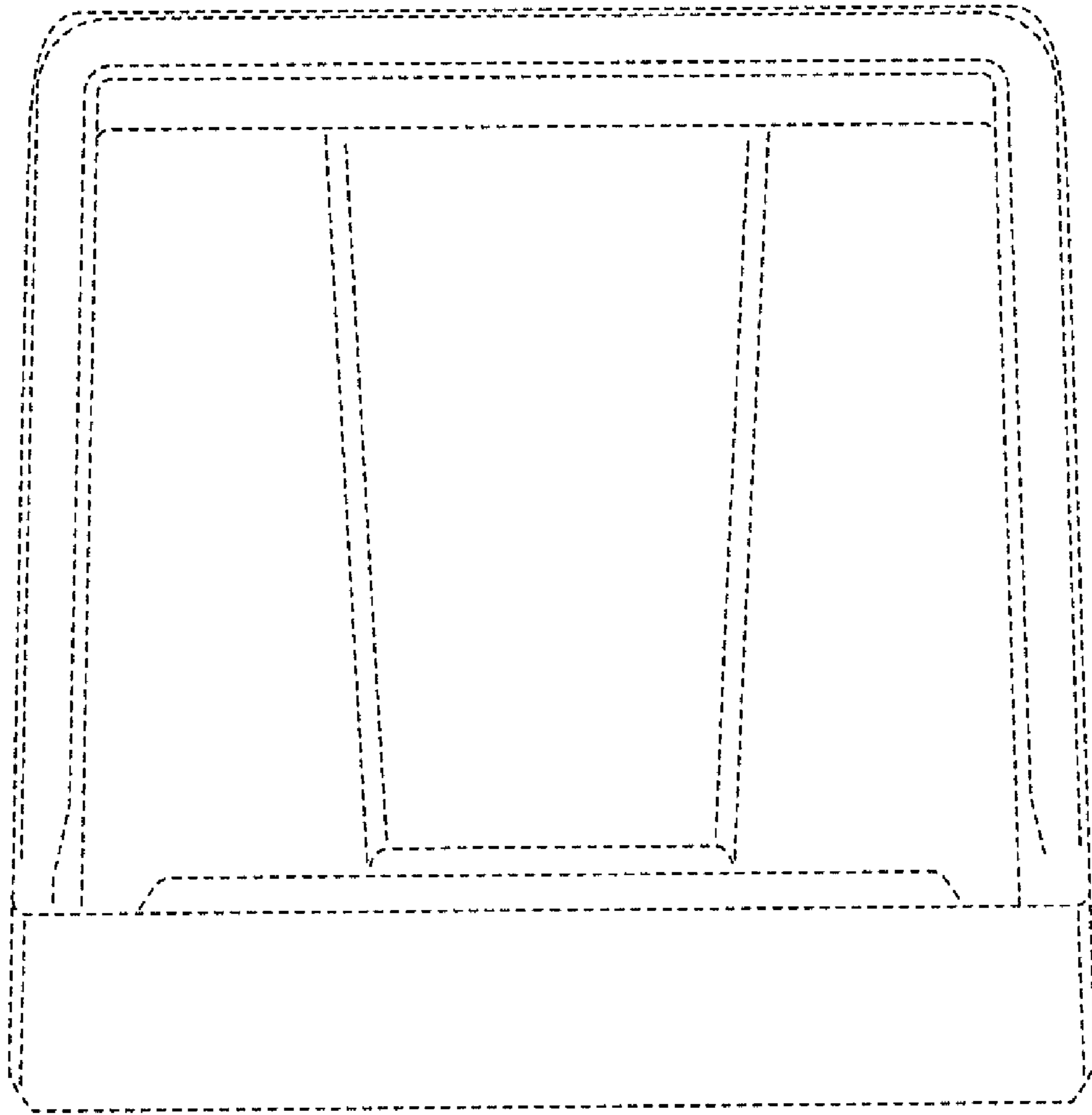


FIG. 6

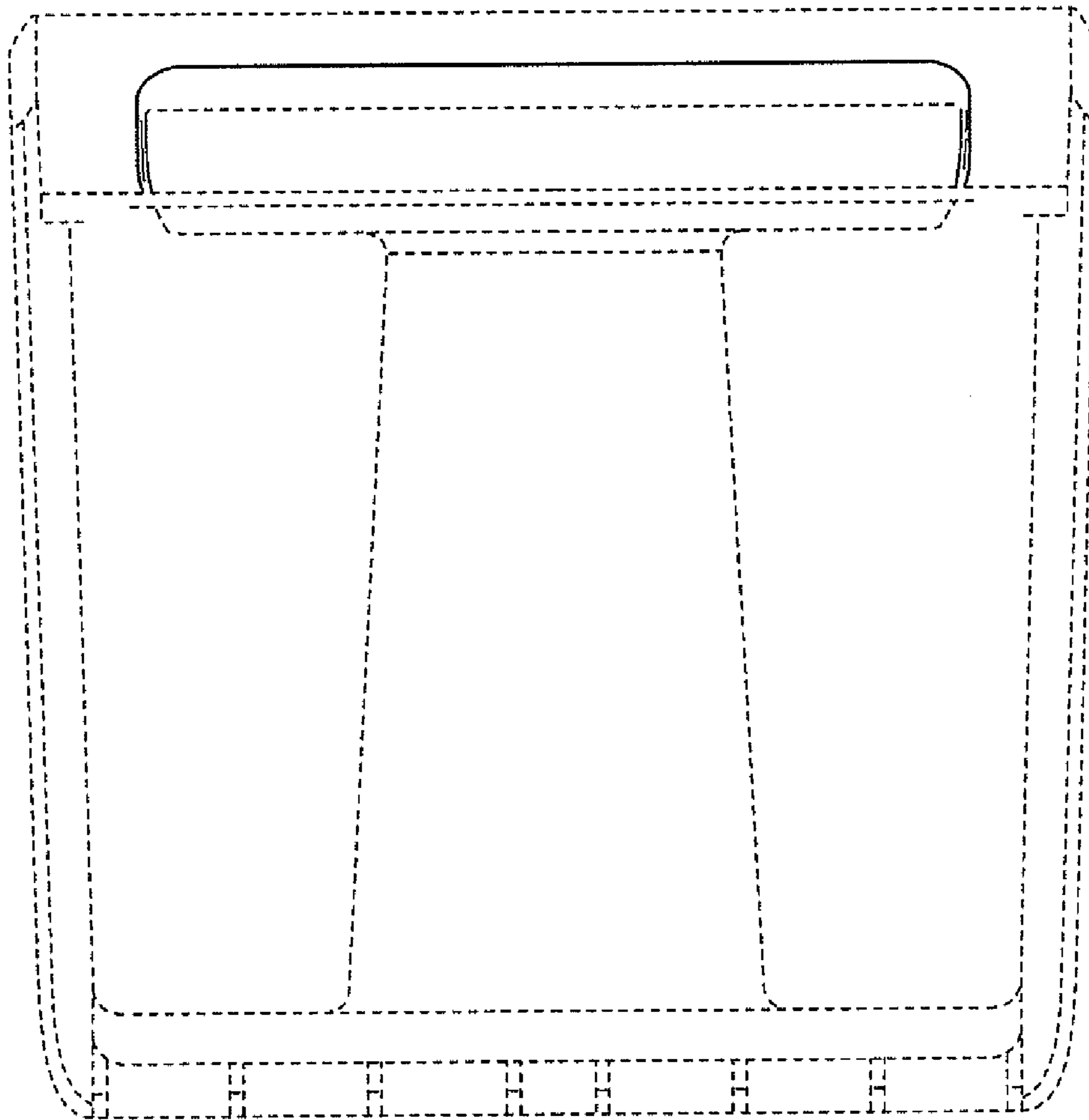


FIG. 7

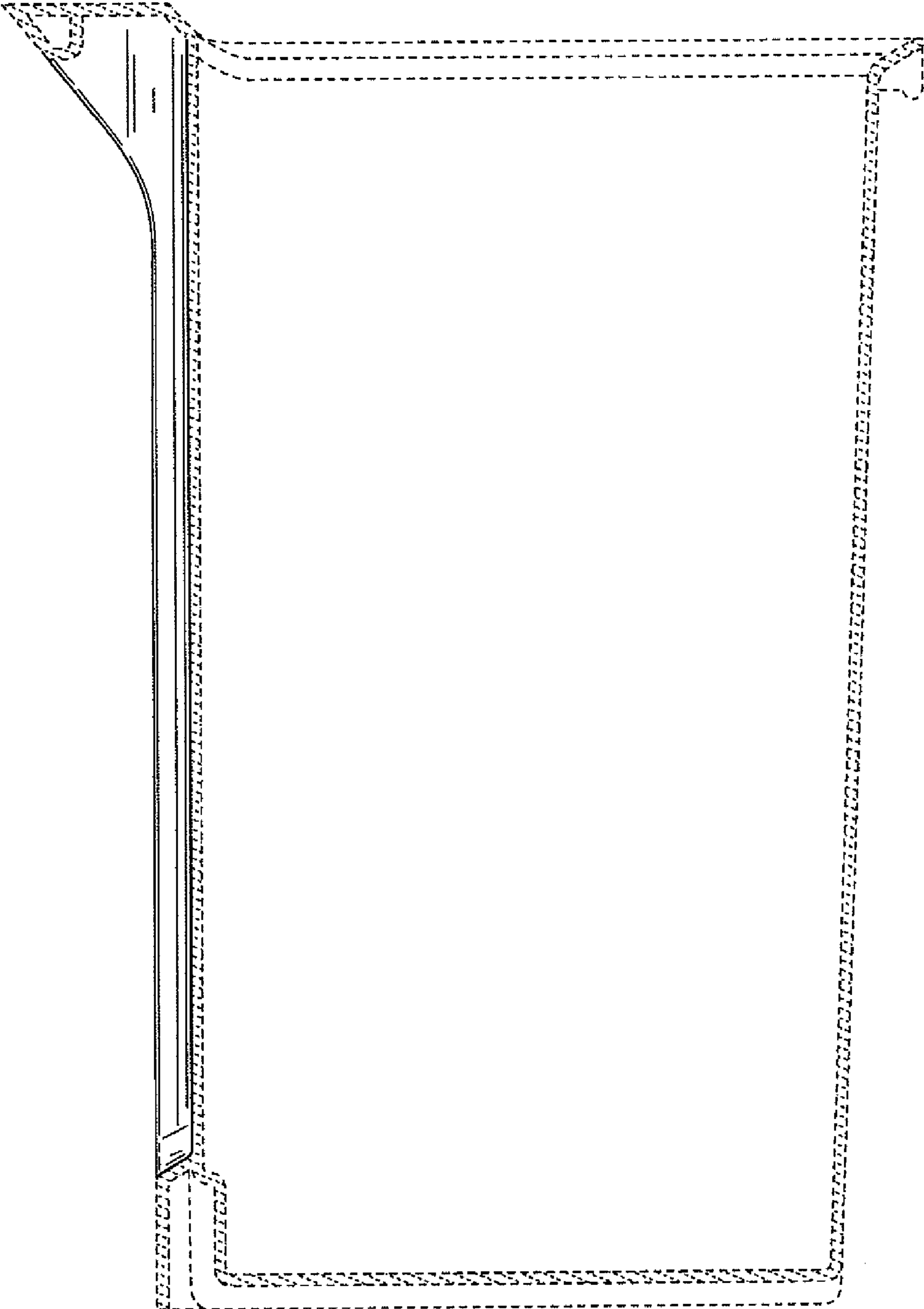


FIG. 8