



US00D641116S

(12) **United States Design Patent**  
**Jones et al.**

(10) **Patent No.:** **US D641,116 S**

(45) **Date of Patent:** **\*\* Jul. 5, 2011**

(54) **NESTING BUCKET**

(75) Inventors: **Donald Jones**, Greenville, NC (US);  
**Michael Jackson**, Wooster, OH (US);  
**Randy Cox**, Greenville, NC (US)

(73) Assignee: **Harper Brush Works, Inc.**, Fairfield, IA (US)

(\*\*) Term: **14 Years**

(21) Appl. No.: **29/383,006**

(22) Filed: **Jan. 11, 2011**

(51) **LOC (9) Cl.** ..... **07-07**

(52) **U.S. Cl.** ..... **D32/53**

(58) **Field of Classification Search** ..... D32/53-54;  
220/904; 15/260-264

See application file for complete search history.

(56) **References Cited**

**U.S. PATENT DOCUMENTS**

D417,051 S	*	11/1999	Dickinson et al.	.....	D32/53
D429,396 S	*	8/2000	Houry et al.	.....	D32/53
D531,772 S	*	11/2006	Lauer	.....	D32/53
D536,851 S	*	2/2007	Lauer	.....	D32/53
D550,418 S	*	9/2007	Weaver et al.	.....	D32/53

7,350,260 B2	*	4/2008	Papa	.....	15/260
D578,263 S	*	10/2008	Pho	.....	D32/53
D619,318 S	*	7/2010	Miller et al.	.....	D32/53

\* cited by examiner

*Primary Examiner* — Robin V Webster

(74) *Attorney, Agent, or Firm* — Husch Blackwell LLP

(57) **CLAIM**

The ornamental design for a nesting bucket, as shown and described.

**DESCRIPTION**

FIG. 1 is a perspective view of the nesting bucket of the subject invention;

FIG. 2 is a front plan view of the nesting bucket of the subject invention;

FIG. 3 is a rear plan view of the nesting bucket of FIG. 1;

FIG. 4 is a left plan view of the nesting bucket of FIG. 1;

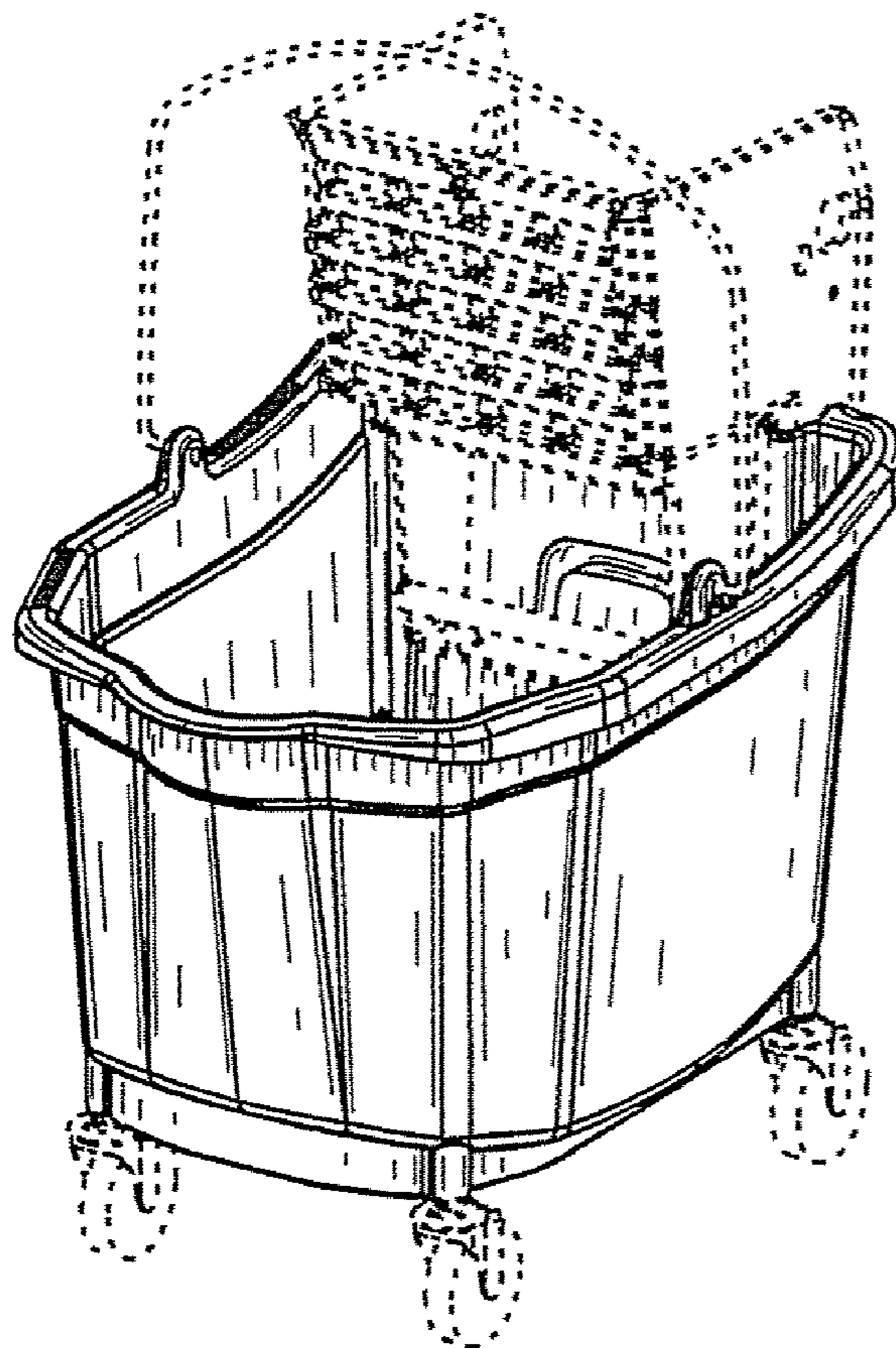
FIG. 5 is a right plan view of the nesting bucket of FIG. 1;

FIG. 6 is a top plan view of the nesting bucket of FIG. 1; and,

FIG. 7 is a bottom plan view of the nesting bucket of FIG. 1.

The broken line showing of the figures is for the purpose of illustrating environment and forms no part of the claimed design.

**1 Claim, 3 Drawing Sheets**



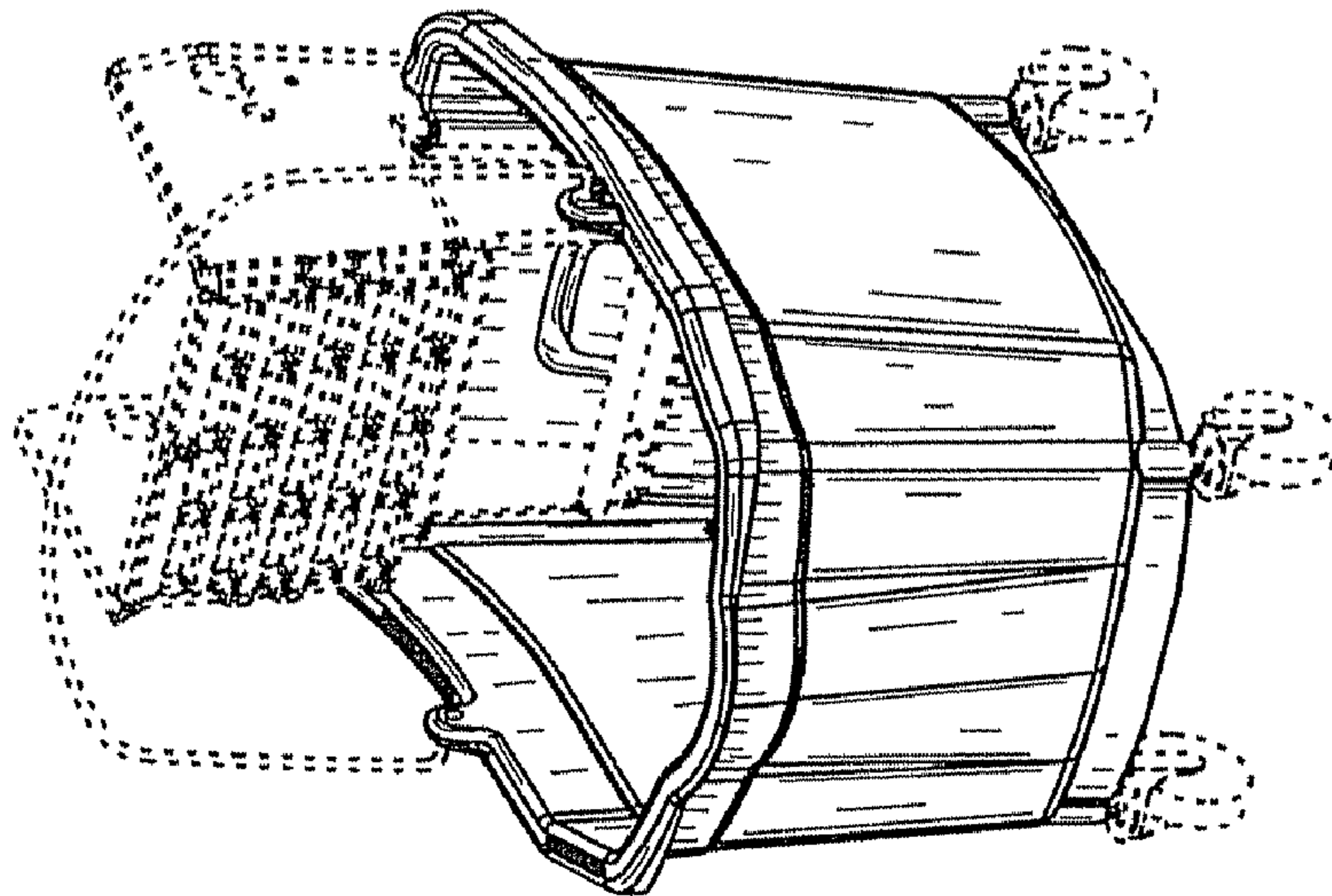


FIG. 1

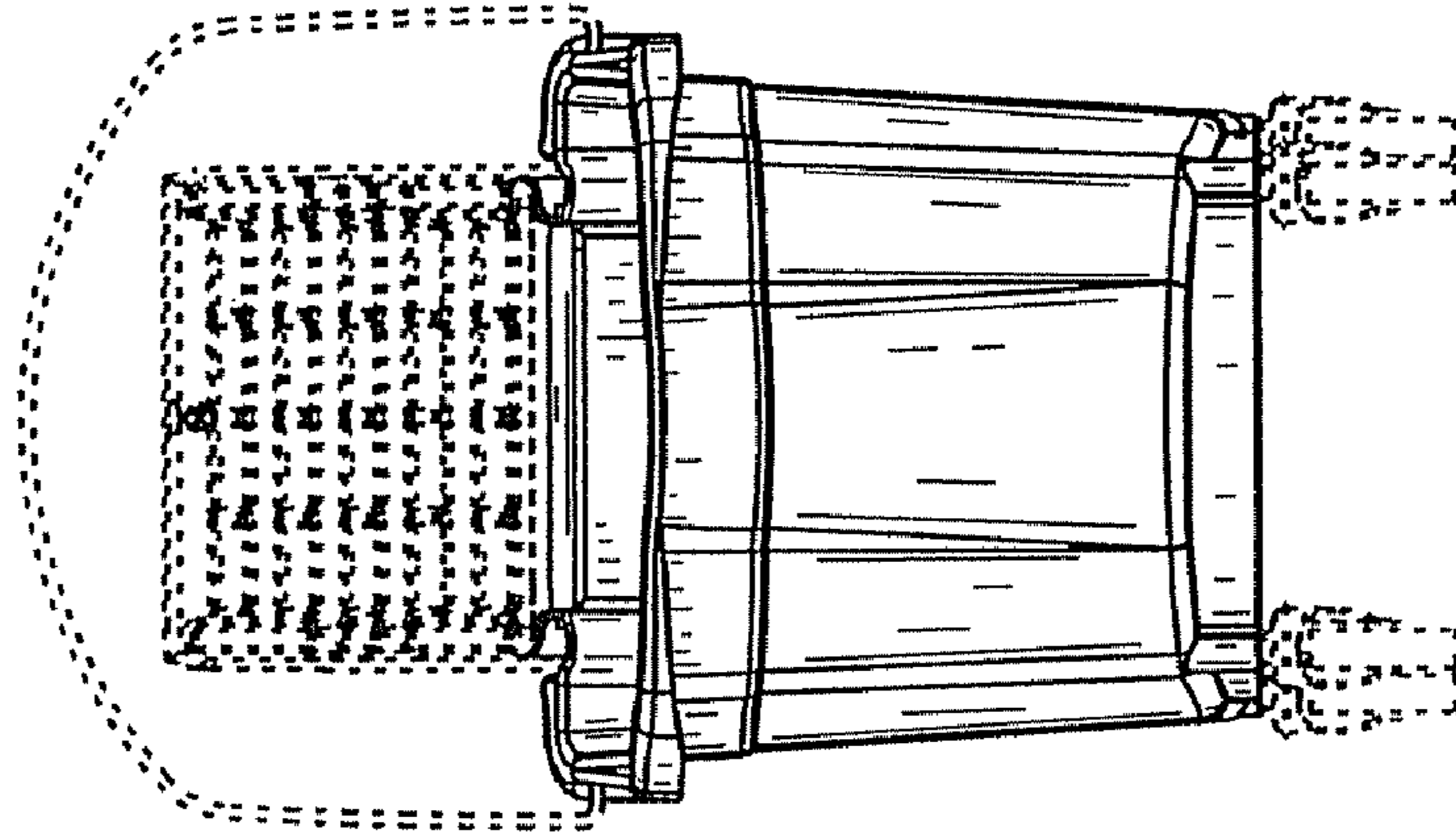


FIG. 2

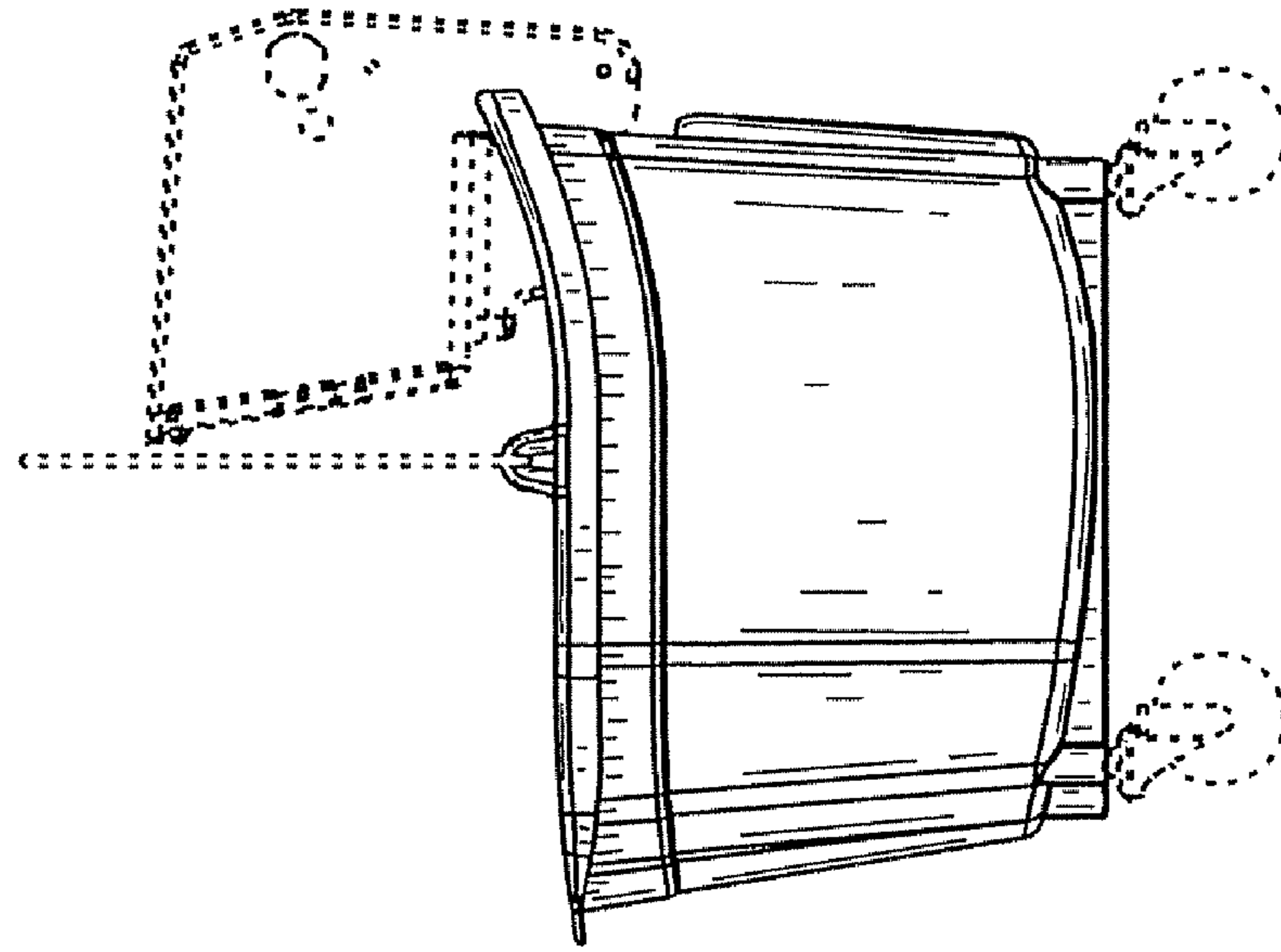


FIG. 4

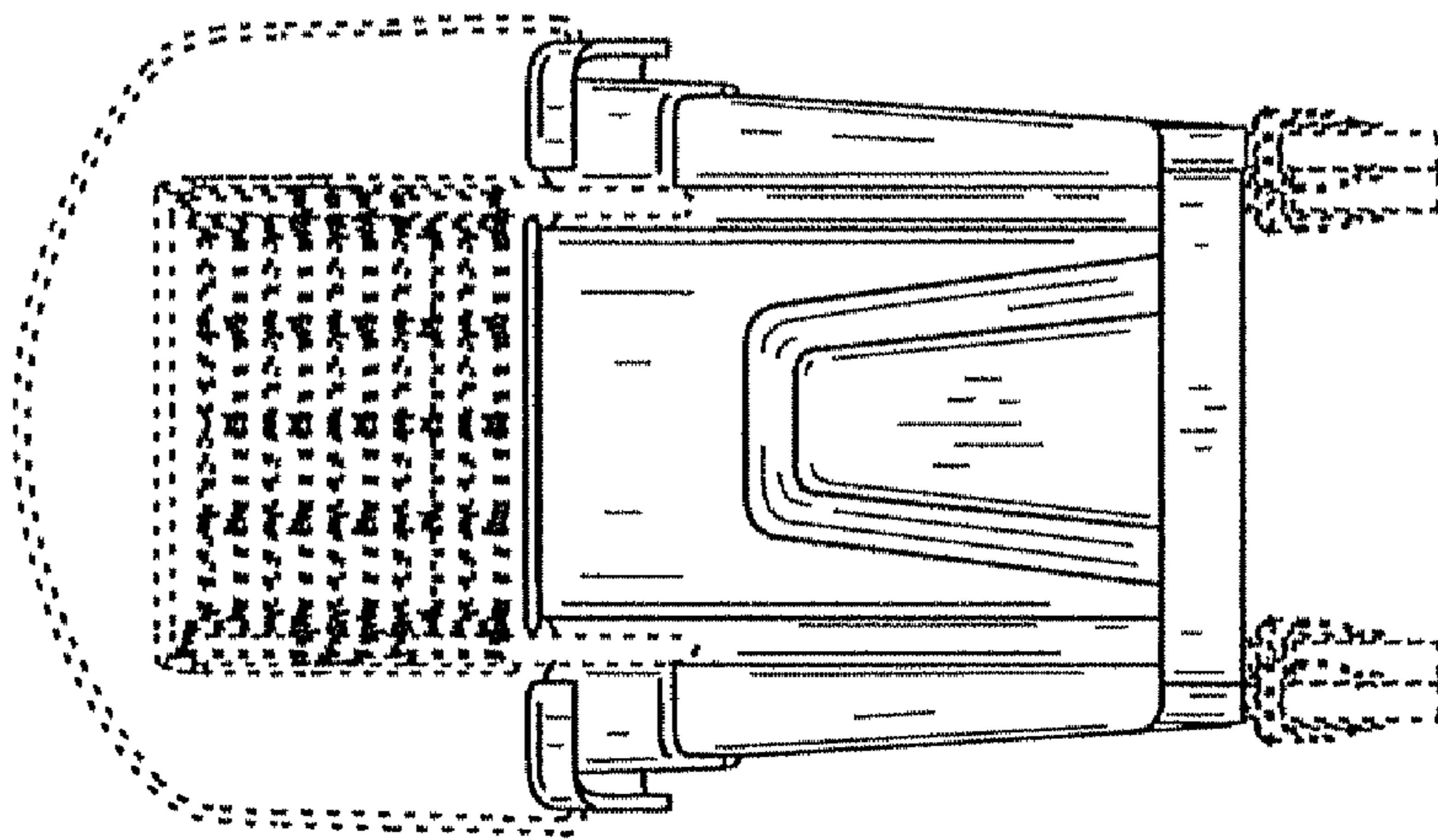


FIG. 3

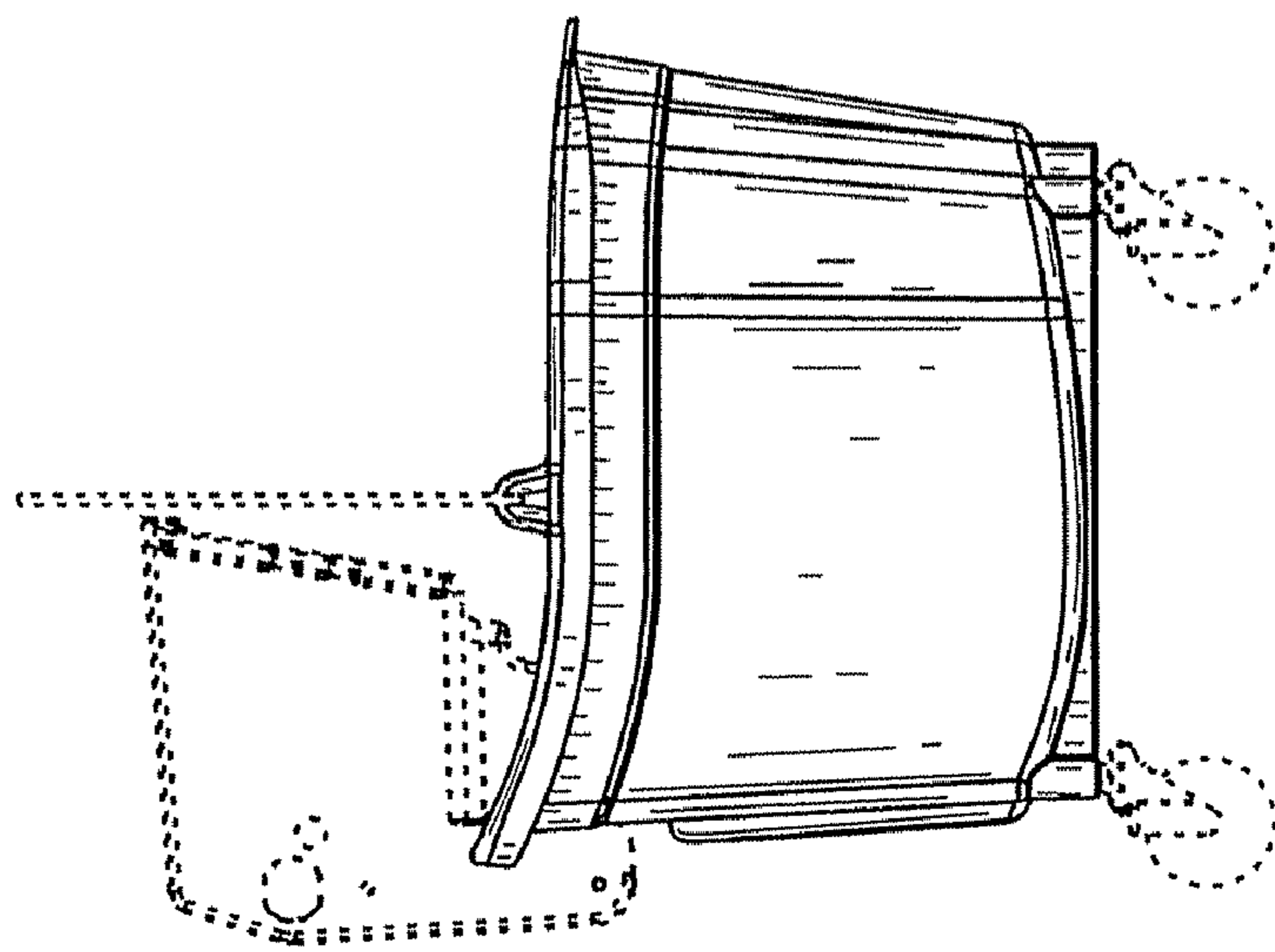


FIG. 5

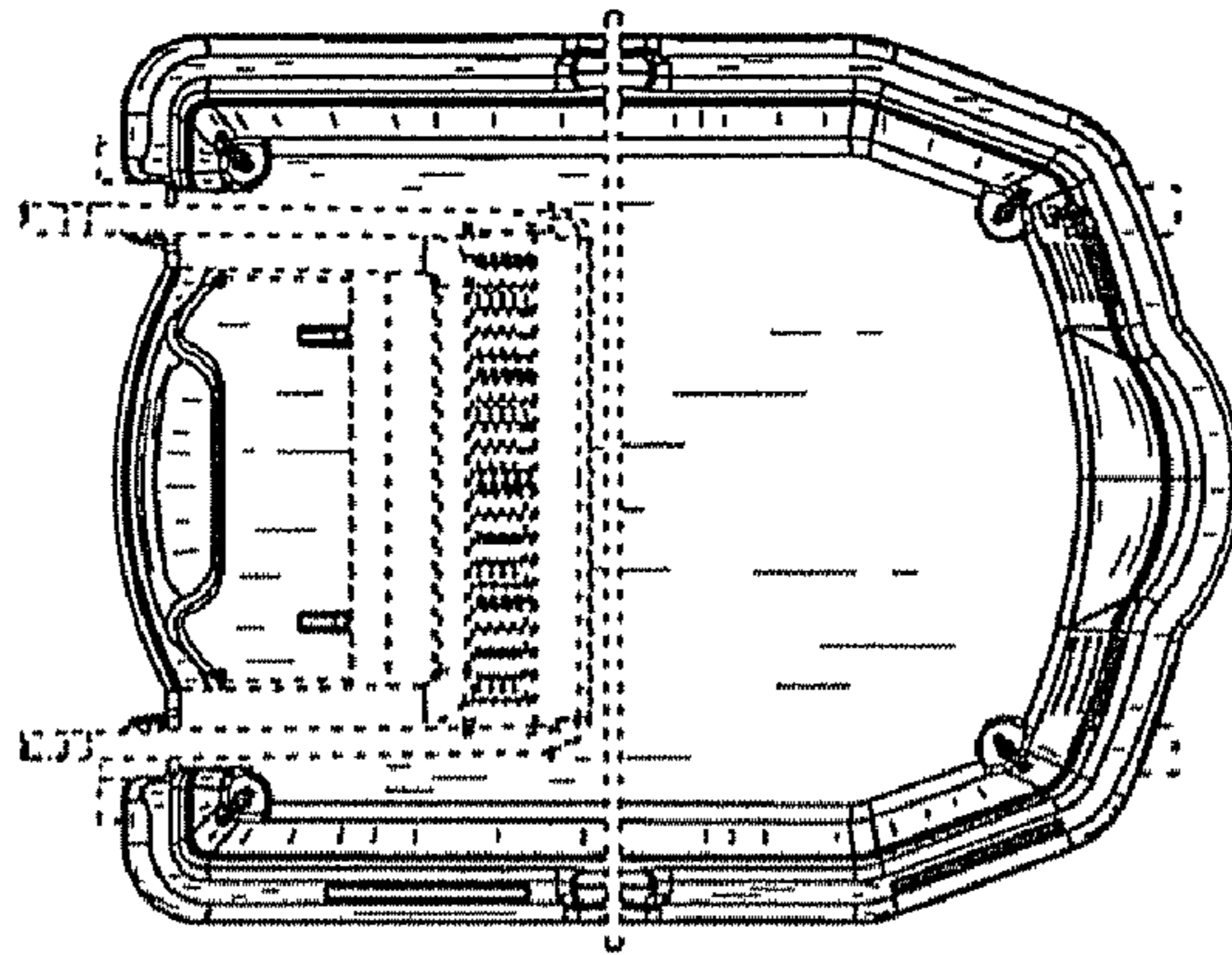


FIG. 6

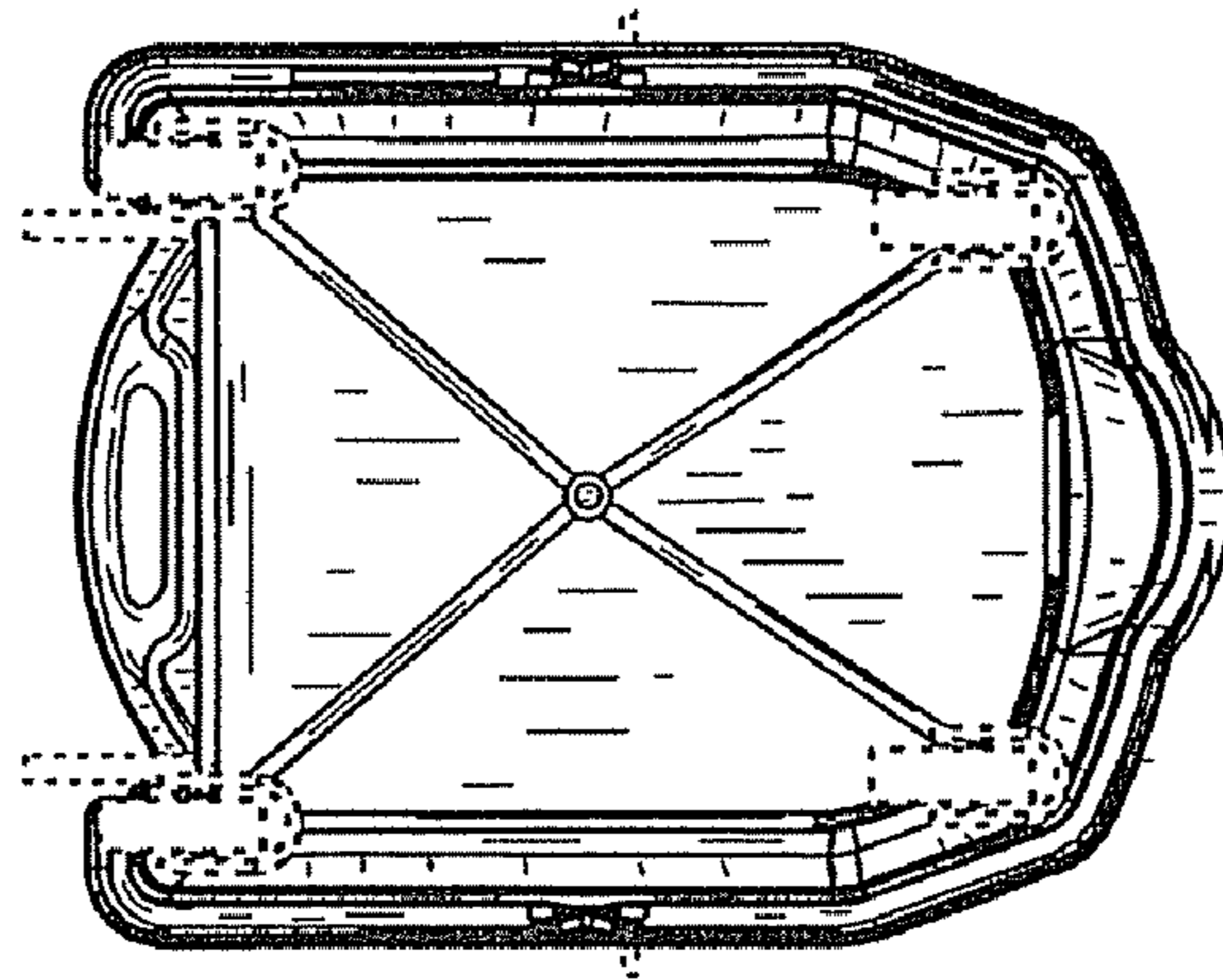


FIG. 7