



US00D641113S

(12) **United States Design Patent**
Choi et al.

(10) **Patent No.:** **US D641,113 S**

(45) **Date of Patent:** **** Jul. 5, 2011**

(54) **HANDLE FOR VACUUM CLEANER**

(75) Inventors: **Gyoo Sang Choi**, Seoul (KR);
Gwanwoo Shin, Kyungki-Do (KR)

(73) Assignee: **Samsung Electronics Co., Ltd.**,
Suwon-Si (KR)

(**) Term: **14 Years**

(21) Appl. No.: **29/368,183**

(22) Filed: **Aug. 19, 2010**

(51) **LOC (9) Cl.** **15-05**

(52) **U.S. Cl.** **D32/34**

(58) **Field of Classification Search** 15/395-397,
15/344, 320-322, 410-411, 143.1, 327.1,
15/361, 329, 350, 353, 1.51, 393; 285/7;
D32/31, 22, 17, 25, 18; 55/357; 134/198;
392/404; D8/62, 68; D23/223
See application file for complete search history.

(56) **References Cited**

U.S. PATENT DOCUMENTS

D315,043 S *	2/1991	Hayden	D32/34
D333,023 S *	2/1993	Herron, Jr.	D32/34
D334,447 S *	3/1993	Rohn	D32/34
D431,335 S *	9/2000	Mehaffey et al.	D32/34

D445,972 S *	7/2001	Doria	D32/17
D504,985 S *	5/2005	Buzzi	D32/17
D506,297 S *	6/2005	Buzzi	D32/17
7,194,784 B2 *	3/2007	Overvaag et al.	15/410
D565,266 S *	3/2008	Crevling et al.	D32/34
D628,756 S *	12/2010	Ayers	D32/34
2006/0005345 A1 *	1/2006	Lam	15/320
2006/0026791 A1 *	2/2006	Fischer et al.	15/414
2008/0301903 A1 *	12/2008	Cunningham et al.	15/410

* cited by examiner

Primary Examiner — Ruth McInroy

(74) *Attorney, Agent, or Firm* — Ladas & Parry LLP

(57) **CLAIM**

We claim the ornamental design for a handle for vacuum cleaner, as shown and described.

DESCRIPTION

FIG. 1 is a top, front and right-side perspective view of a handle for vacuum cleaner showing our new design; FIG. 2 is a front elevational view thereof; FIG. 3 is a rear elevational view thereof; FIG. 4 is a left-side elevational view thereof; FIG. 5 is a right-side elevational view thereof; FIG. 6 is a top plan view thereof; and, FIG. 7 is a bottom plan view thereof.

1 Claim, 5 Drawing Sheets

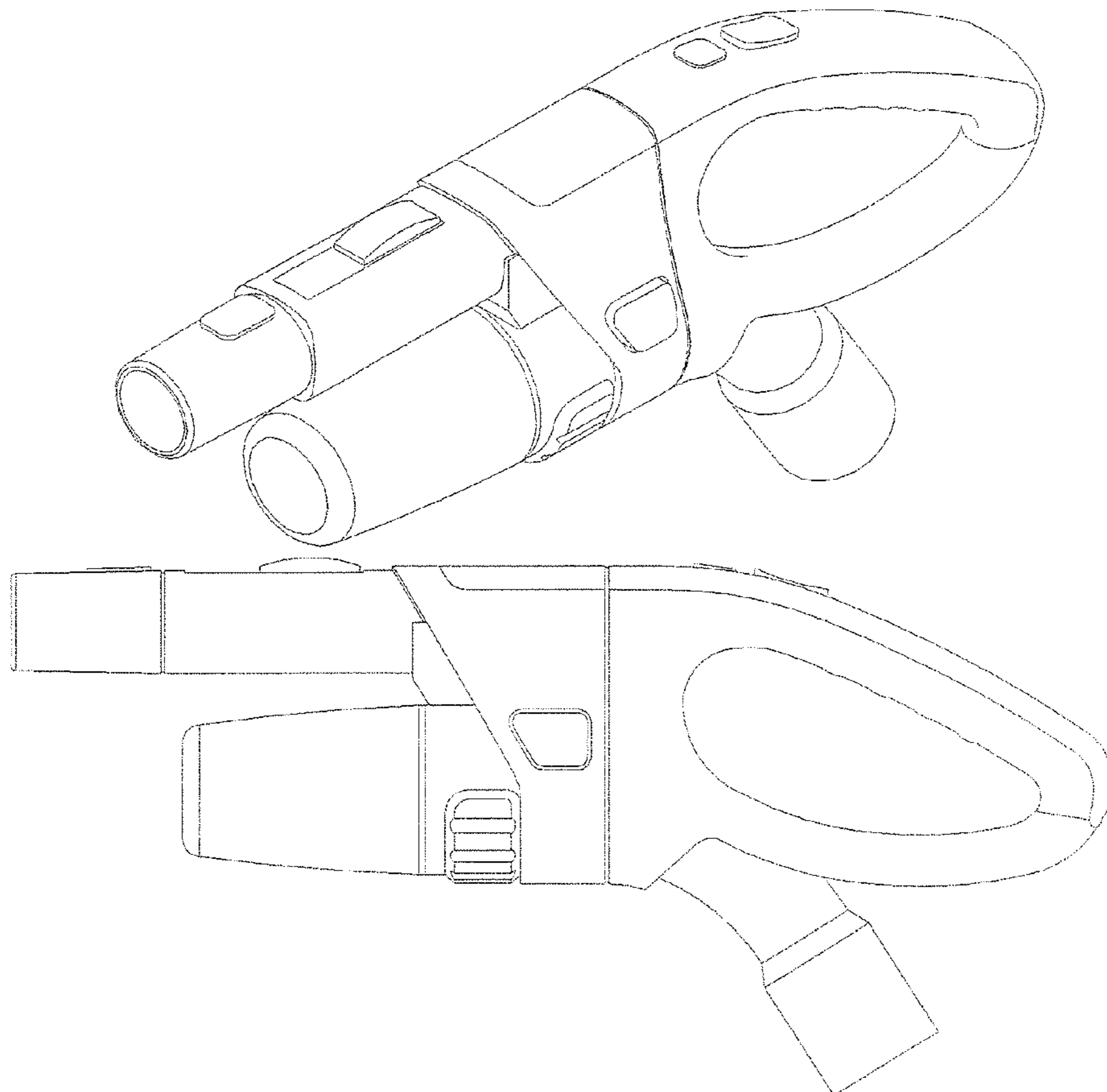


FIG. 1

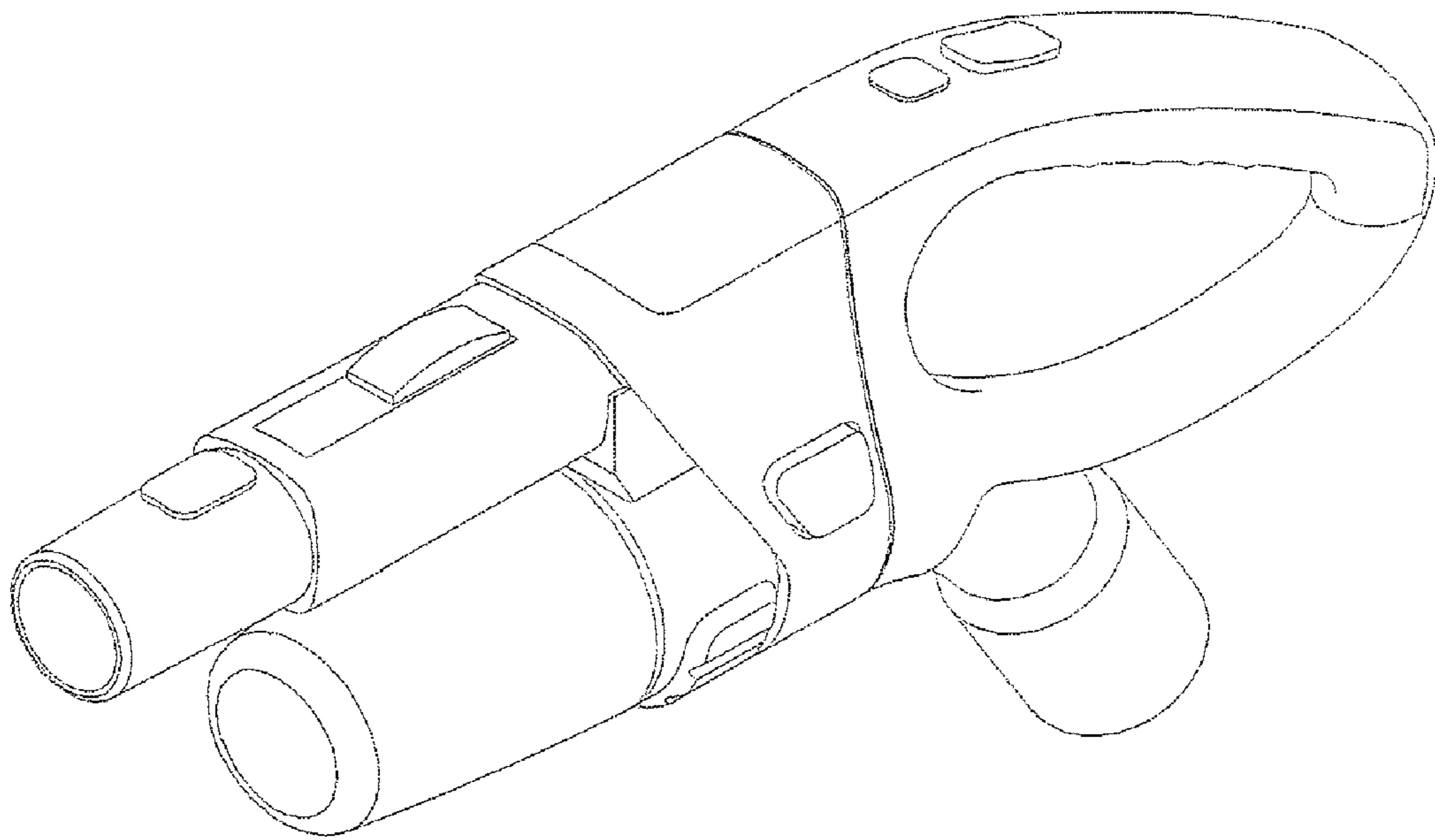


FIG. 2

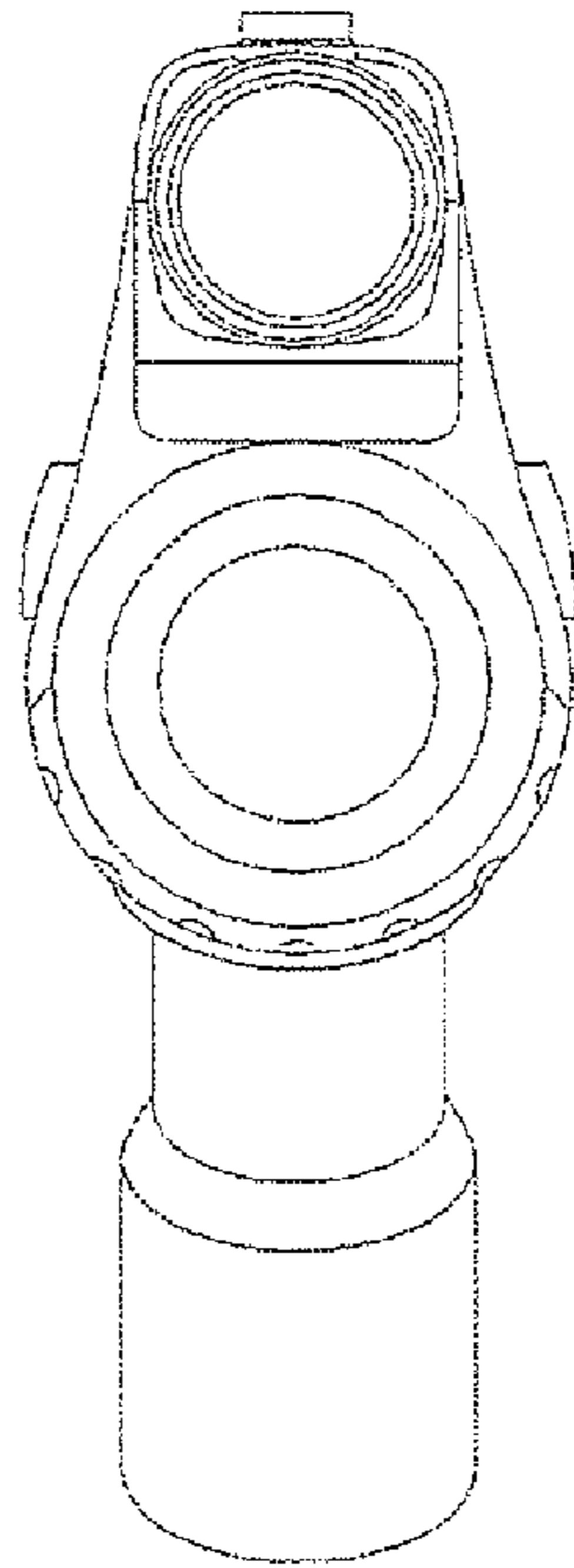


FIG. 3

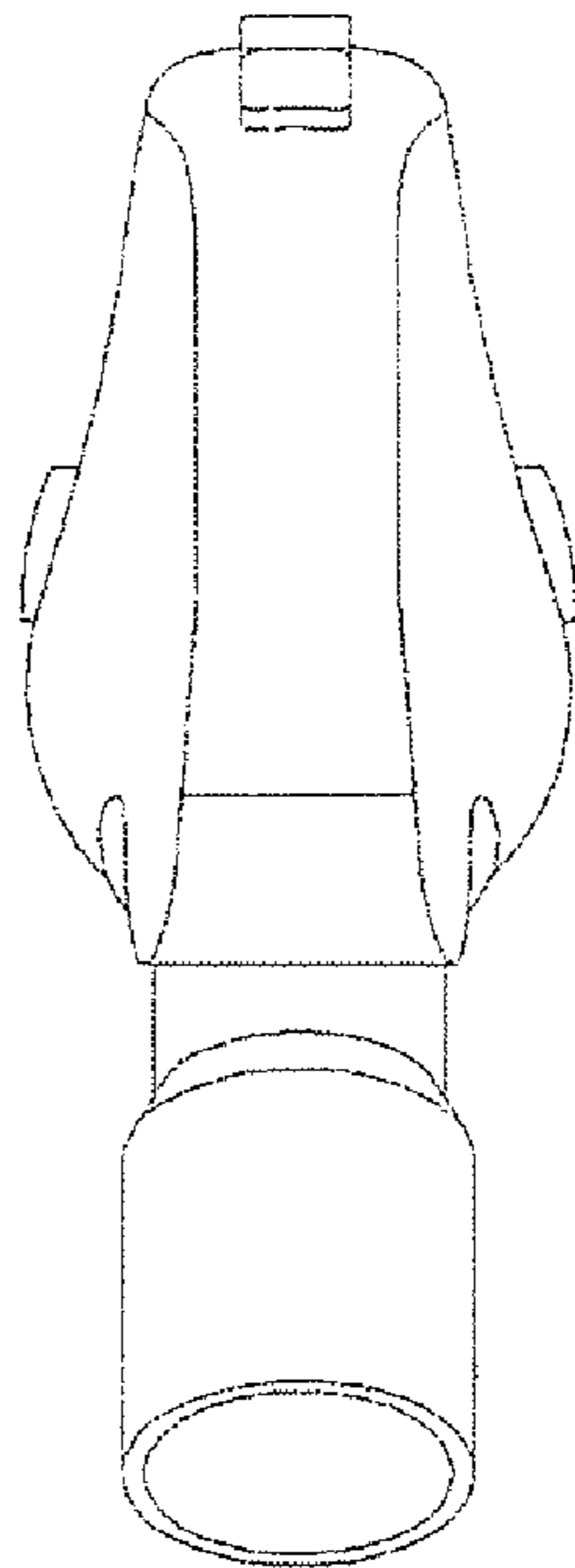


FIG. 4

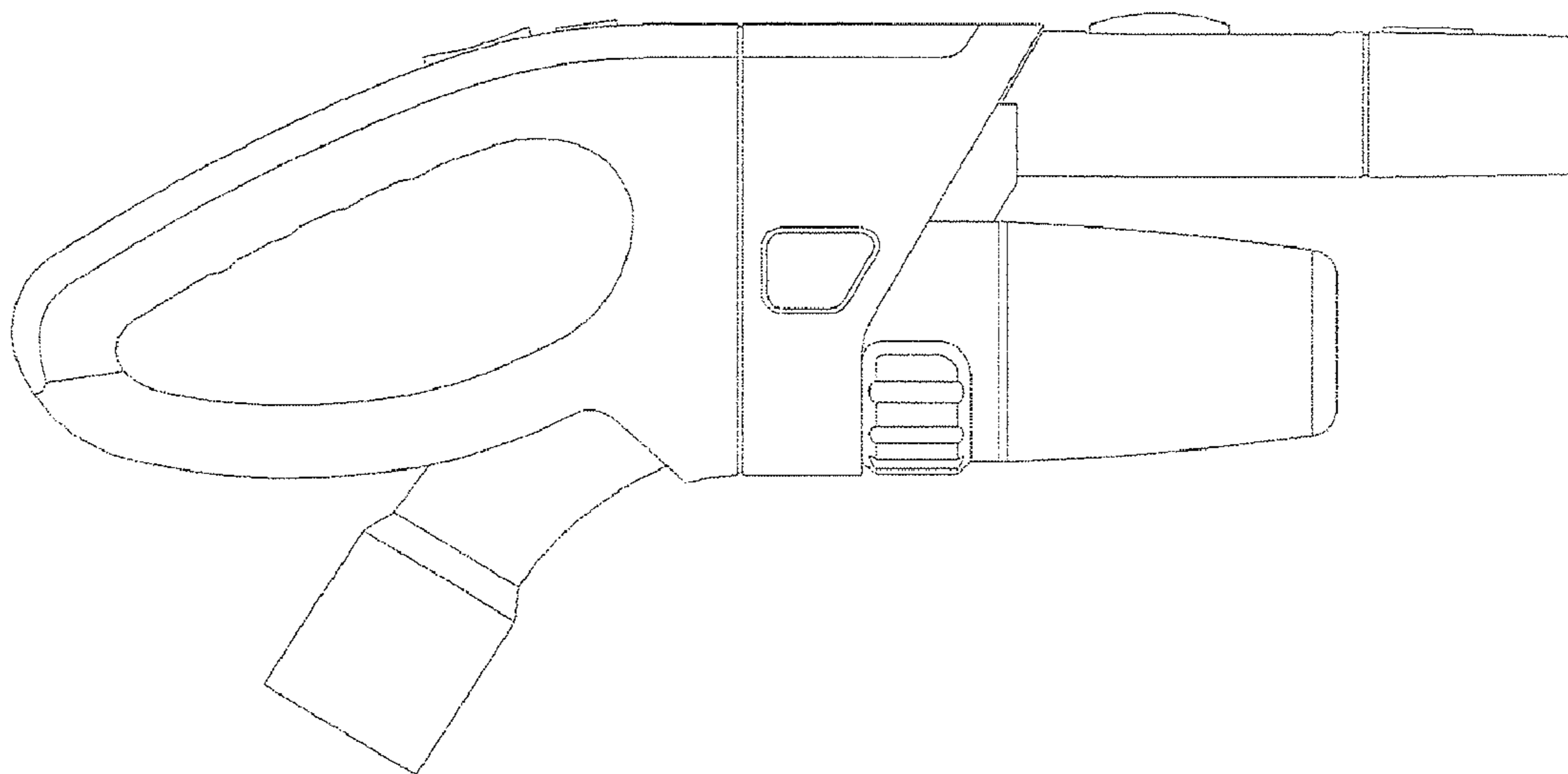


FIG. 5

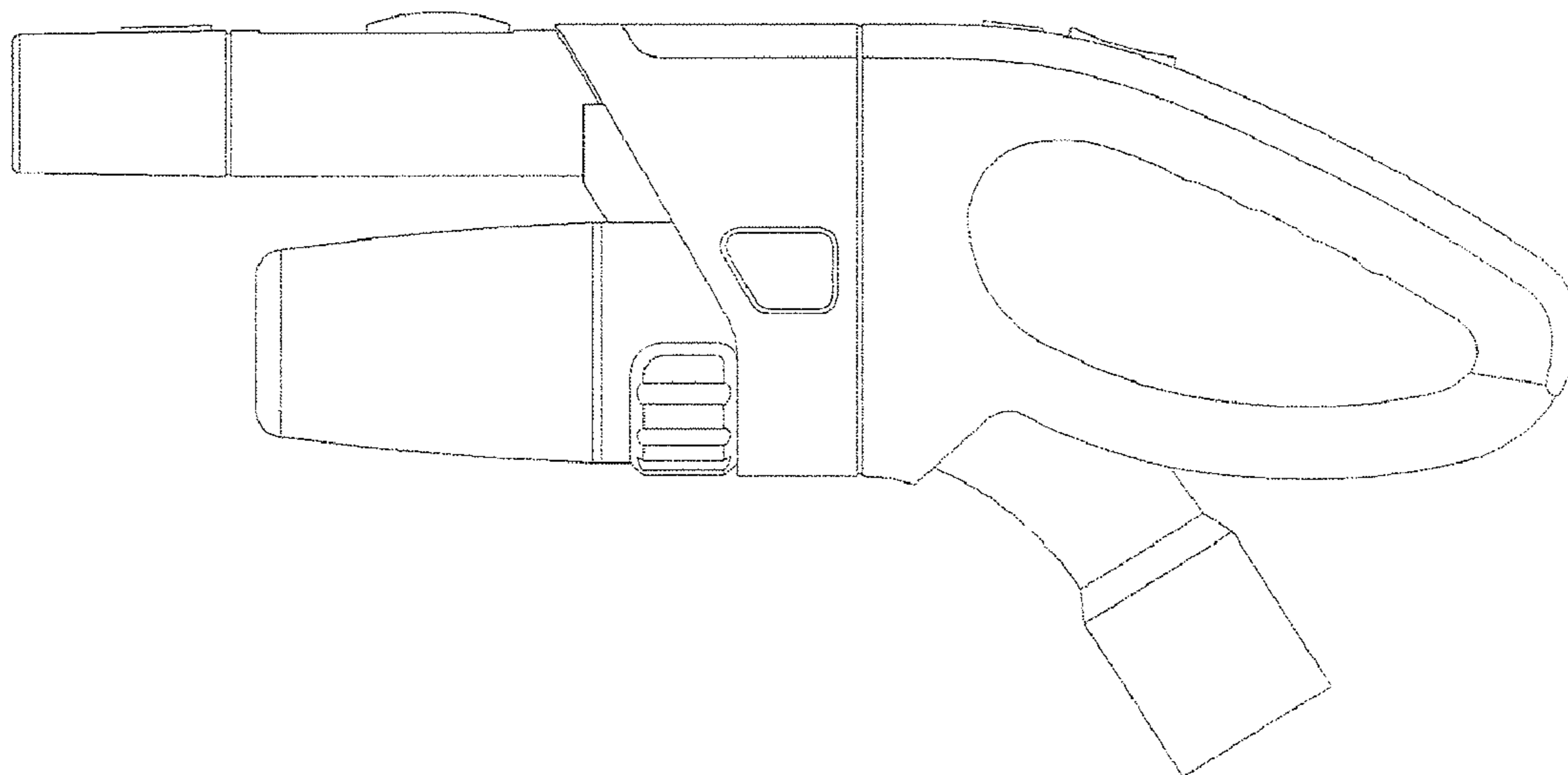


FIG. 6

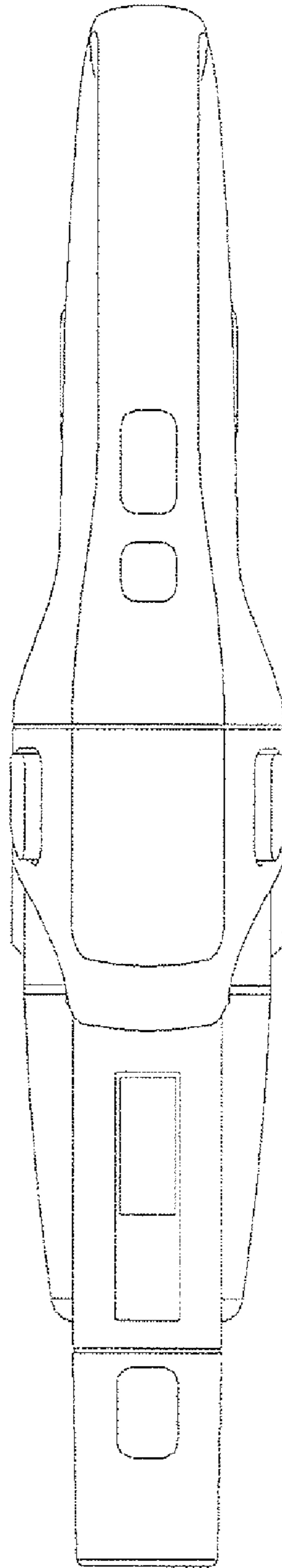


FIG. 7

