



US00D641111S

(12) **United States Design Patent**
Houghton

(10) **Patent No.:** **US D641,111 S**

(45) **Date of Patent:** **** Jul. 5, 2011**

(54) **HAND-HELD VACUUM CLEANER**

(75) Inventor: **Stephen Houghton**, Newcastle Upon Tyne (GB)

(73) Assignee: **Black & Decker, Inc.**, Newark, DE (US)

(**) Term: **14 Years**

(21) Appl. No.: **29/363,897**

(22) Filed: **Jun. 16, 2010**

(30) **Foreign Application Priority Data**

Dec. 18, 2009 (EP) 001185383

(51) **LOC (9) Cl.** **15-05**

(52) **U.S. Cl.** **D32/18**

(58) **Field of Classification Search** D32/17-18,
D32/31-33; 15/344, 329, 338, 335, 414,
15/415.1, 418-422, 409, 300.1, 322, 320
See application file for complete search history.

(56) **References Cited**

U.S. PATENT DOCUMENTS

D480,846	S	*	10/2003	Ki	D32/18
D504,985	S	*	5/2005	Buzzi	D32/17
D506,297	S	*	6/2005	Buzzi	D32/17
D507,385	S	*	7/2005	Ma	D32/18
D526,752	S	*	8/2006	Rosenzweig	D32/18
D569,059	S	*	5/2008	Stratford	D32/18
D569,060	S	*	5/2008	Stratford	D32/18
D579,161	S	*	10/2008	Crawley	D32/18
D595,017	S	*	6/2009	Baxter et al.	D32/18

* cited by examiner

Primary Examiner — Ruth McInroy

(74) *Attorney, Agent, or Firm* — John Yun; Bruce S. Shapiro; Stephen Valancius

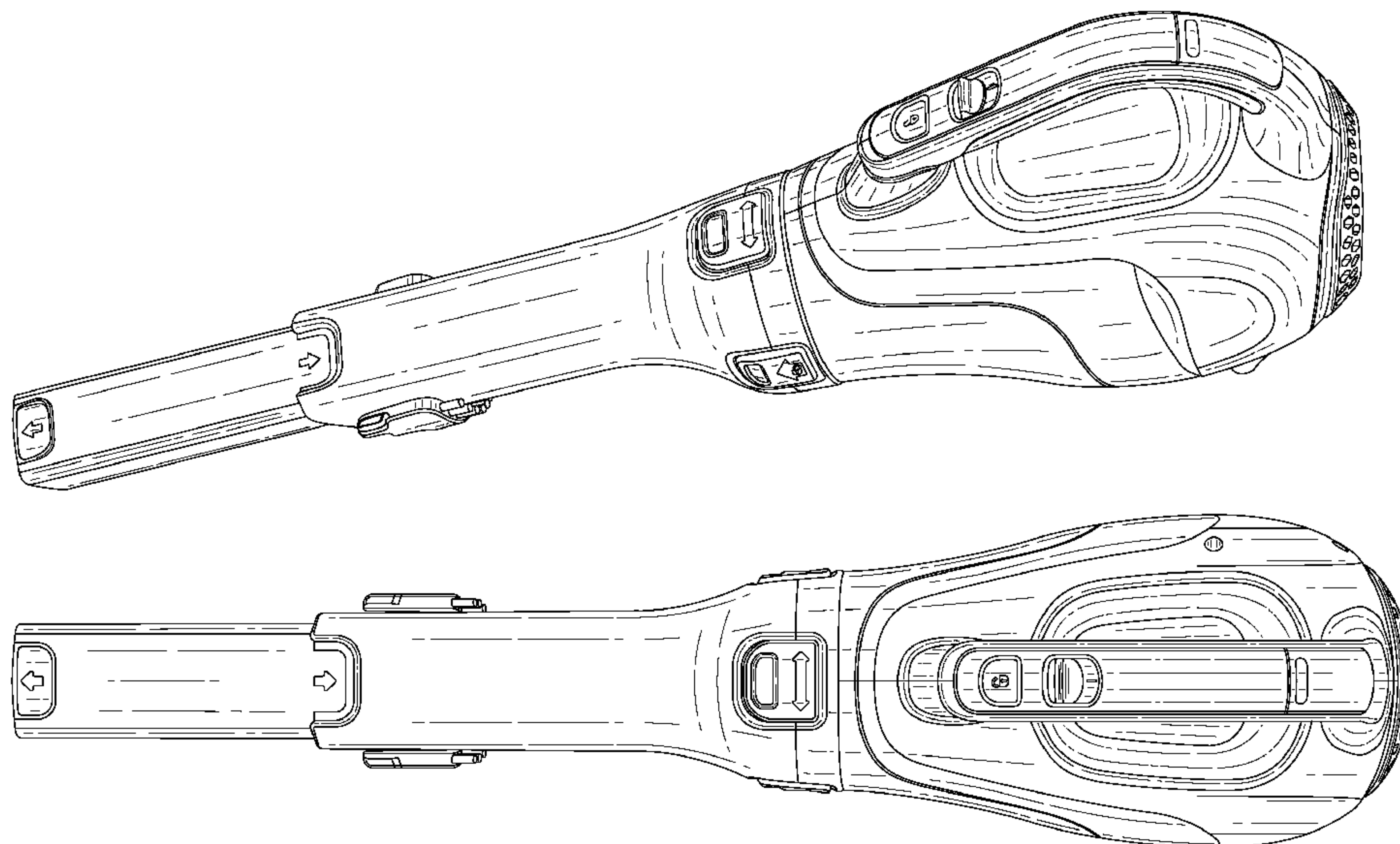
(57) **CLAIM**

The ornamental design for a hand-held vacuum cleaner, as shown and described.

DESCRIPTION

FIG. 1 is a perspective view of a hand-held vacuum cleaner showing my new design;
 FIG. 2 is a top plan view thereof;
 FIG. 3 is a bottom plan view thereof;
 FIG. 4 is a front view thereof;
 FIG. 5 is a rear view thereof;
 FIG. 6 is a left side view thereof;
 FIG. 7 is a right side view thereof;
 FIG. 8 is a perspective view thereof with the nozzle in a retracted position;
 FIG. 9 is a top plan view of FIG. 8;
 FIG. 10 is a bottom plan view of FIG. 8;
 FIG. 11 is a front view of FIG. 8;
 FIG. 12 is a rear view of FIG. 8;
 FIG. 13 is a left side view of FIG. 8;
 FIG. 14 is a right side view of FIG. 8;
 FIG. 15 is a perspective view thereof with the nozzle rotated 90 degrees;
 FIG. 16 is a top plan view of FIG. 15;
 FIG. 17 is a bottom plan view of FIG. 15;
 FIG. 18 is a front view of FIG. 15;
 FIG. 19 is a rear view of FIG. 15;
 FIG. 20 is a left side view of FIG. 15;
 FIG. 21 is a right side view of FIG. 15;
 FIG. 22 is a perspective view thereof with the nozzle rotated 180 degrees;
 FIG. 23 is a top plan view of FIG. 22;
 FIG. 24 is a bottom plan view of FIG. 22;
 FIG. 25 is a front view of FIG. 22;
 FIG. 26 is a rear view of FIG. 22;
 FIG. 27 is a left side view of FIG. 22; and,
 FIG. 28 is a right side view of FIG. 22.

1 Claim, 20 Drawing Sheets



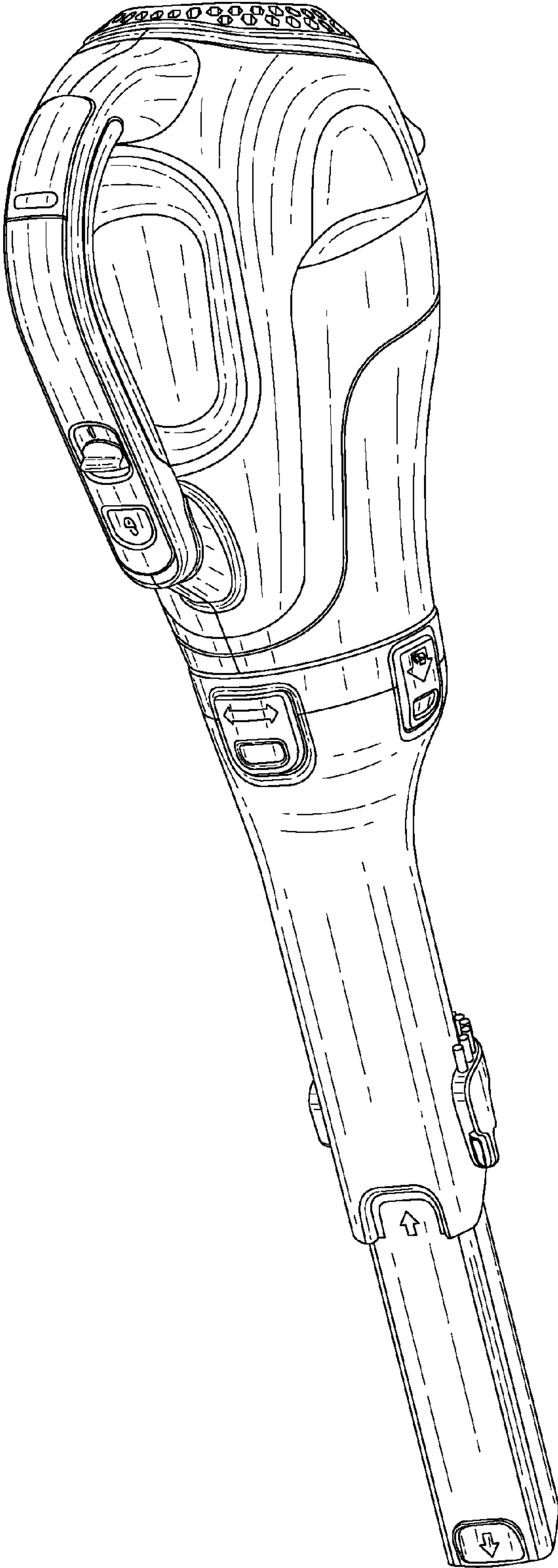
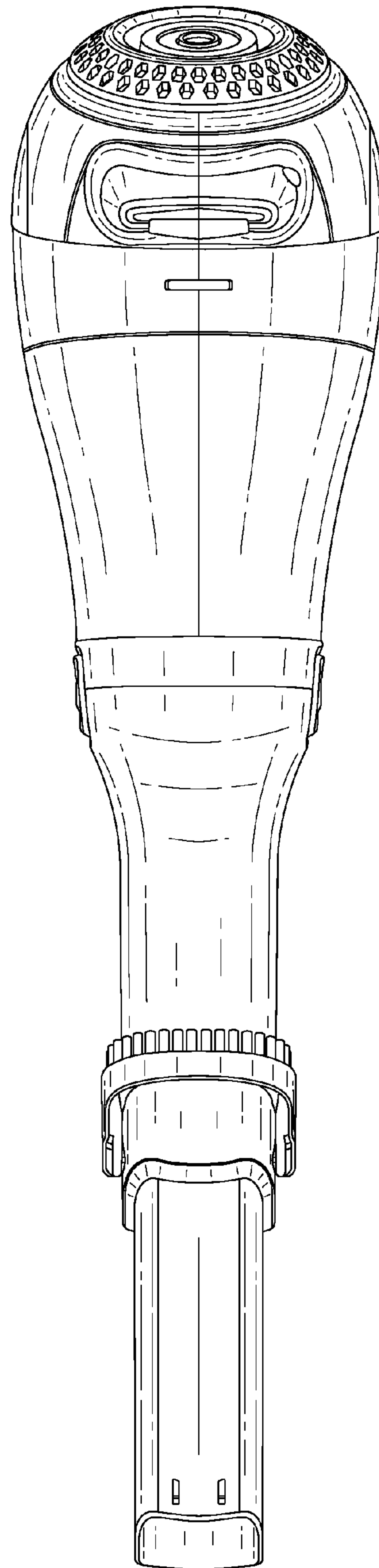
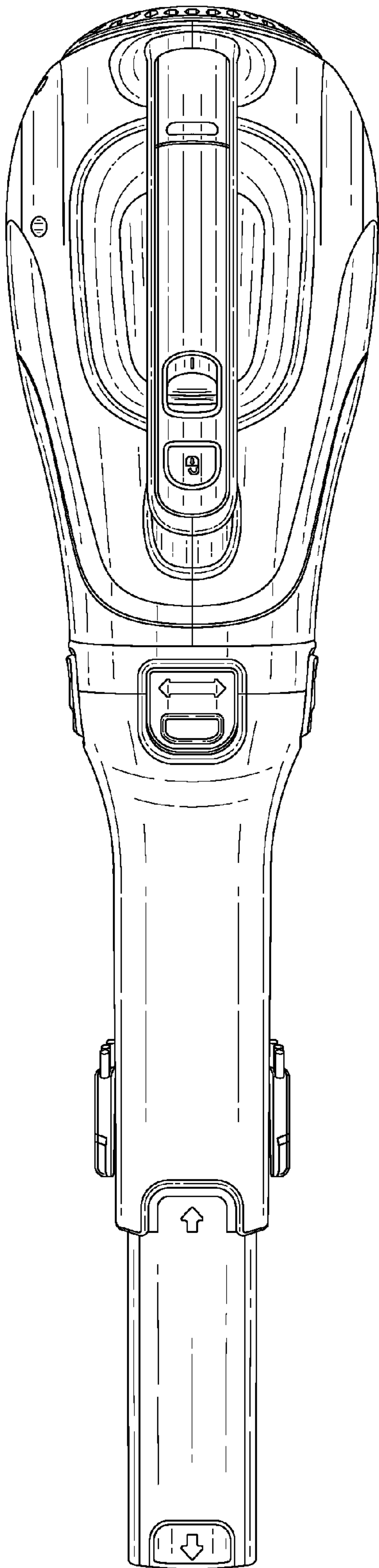


FIG. 1



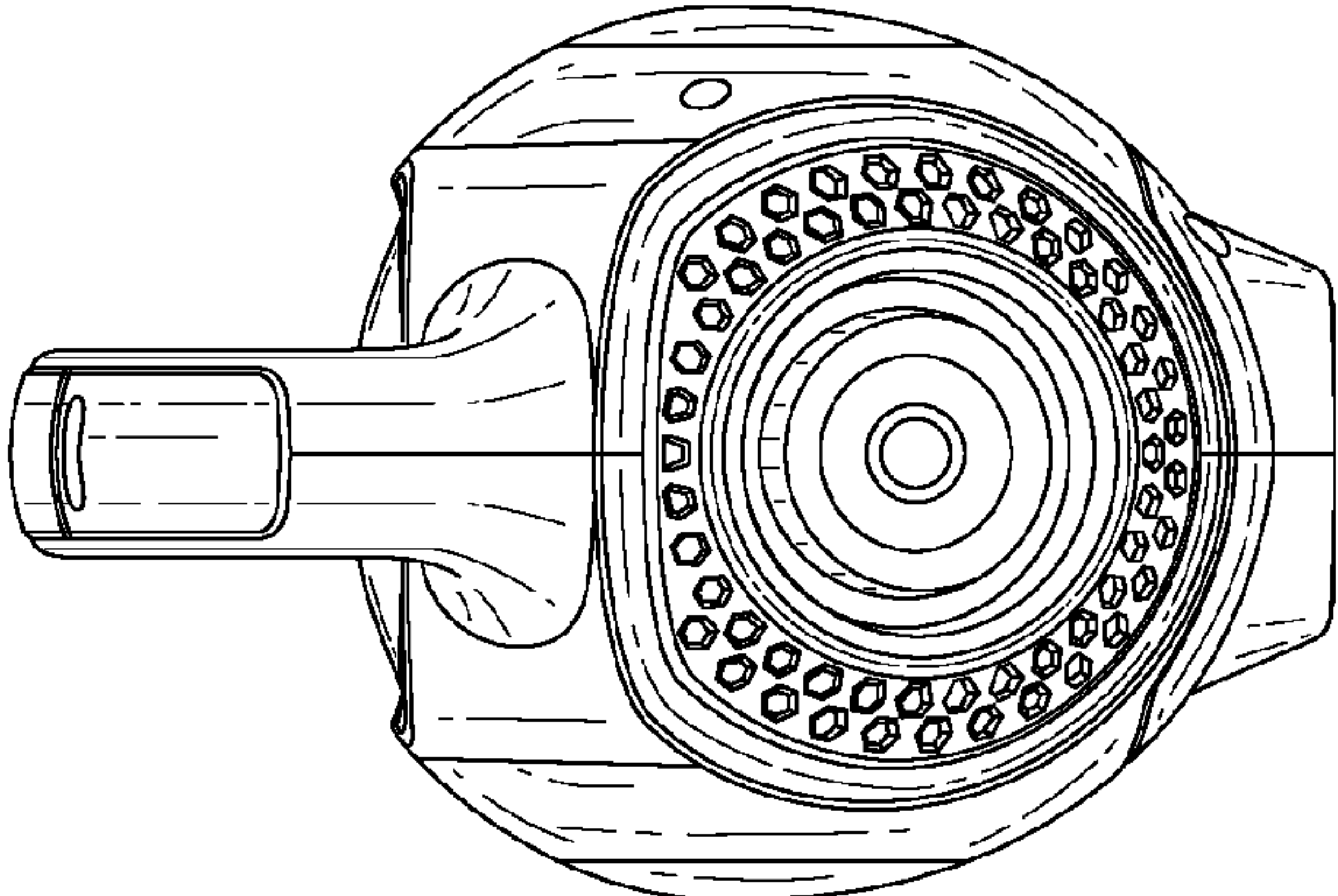


FIG. 5

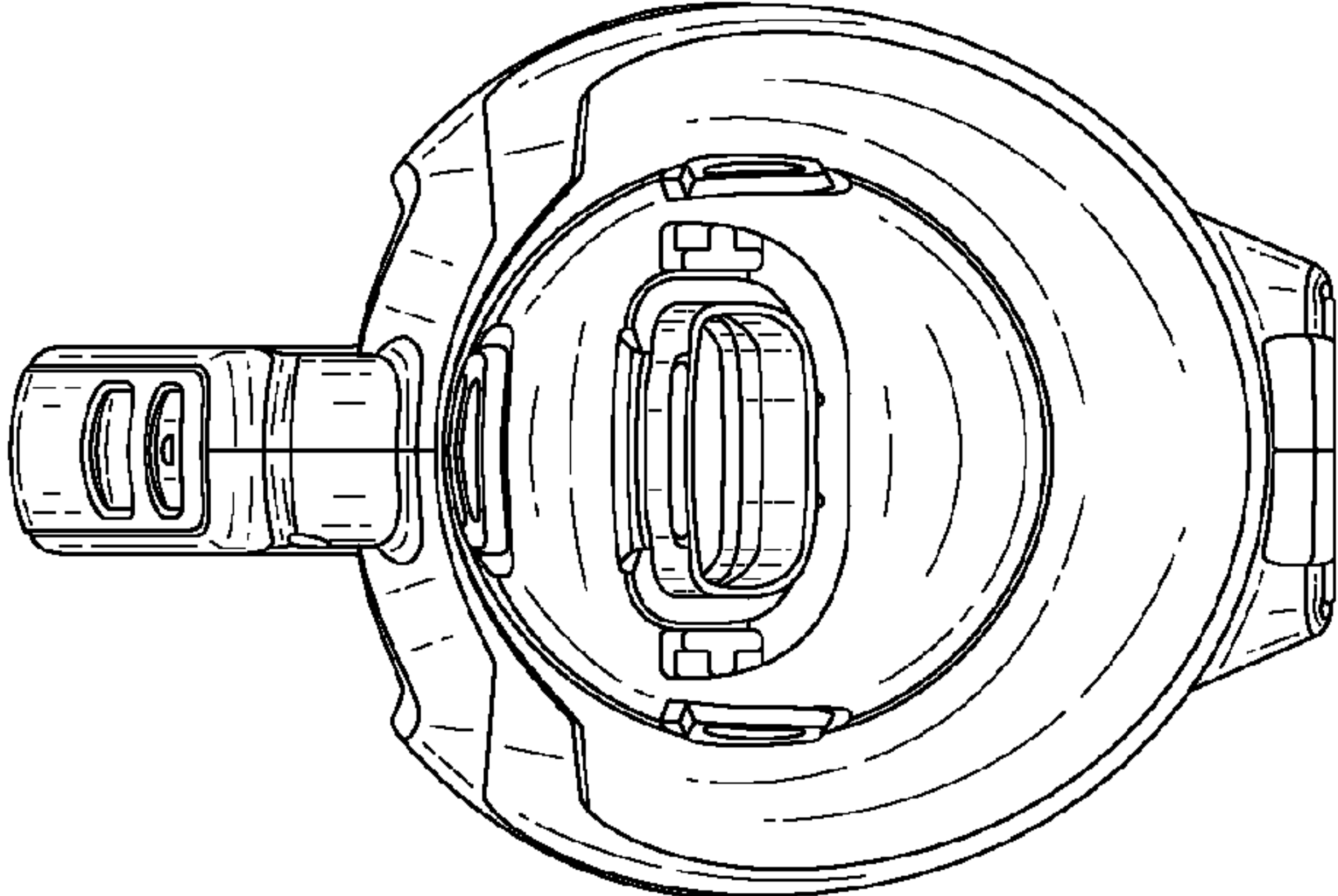


FIG. 4

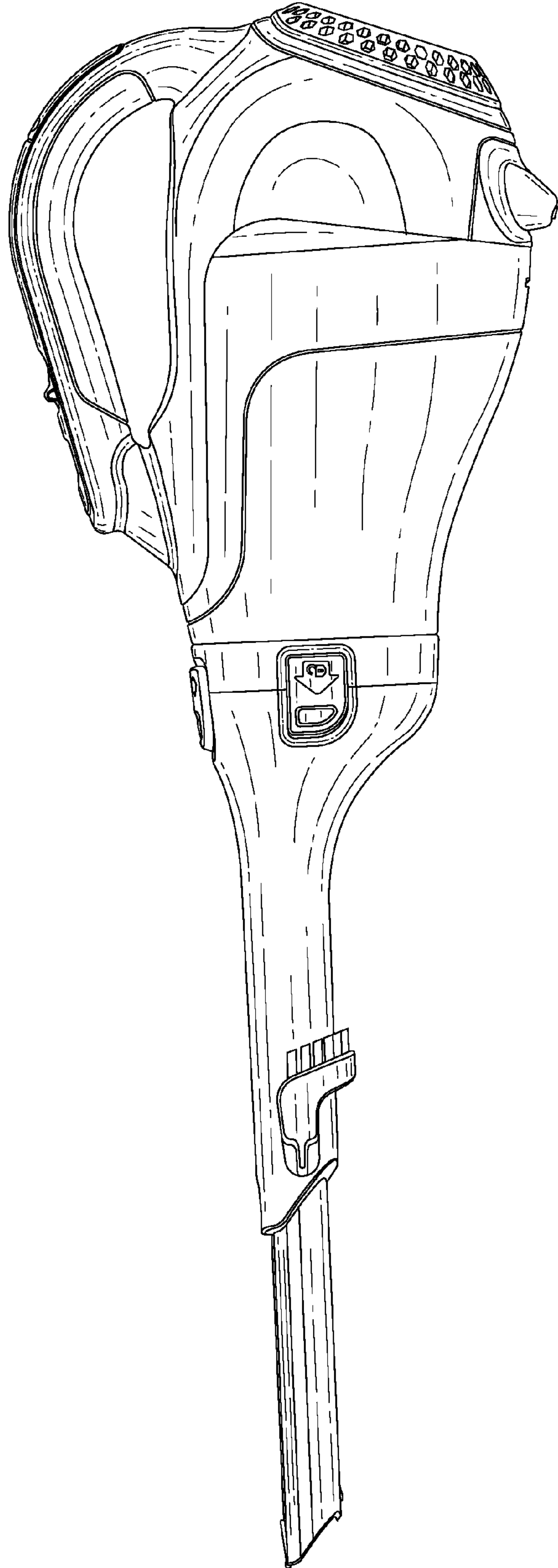


FIG. 6

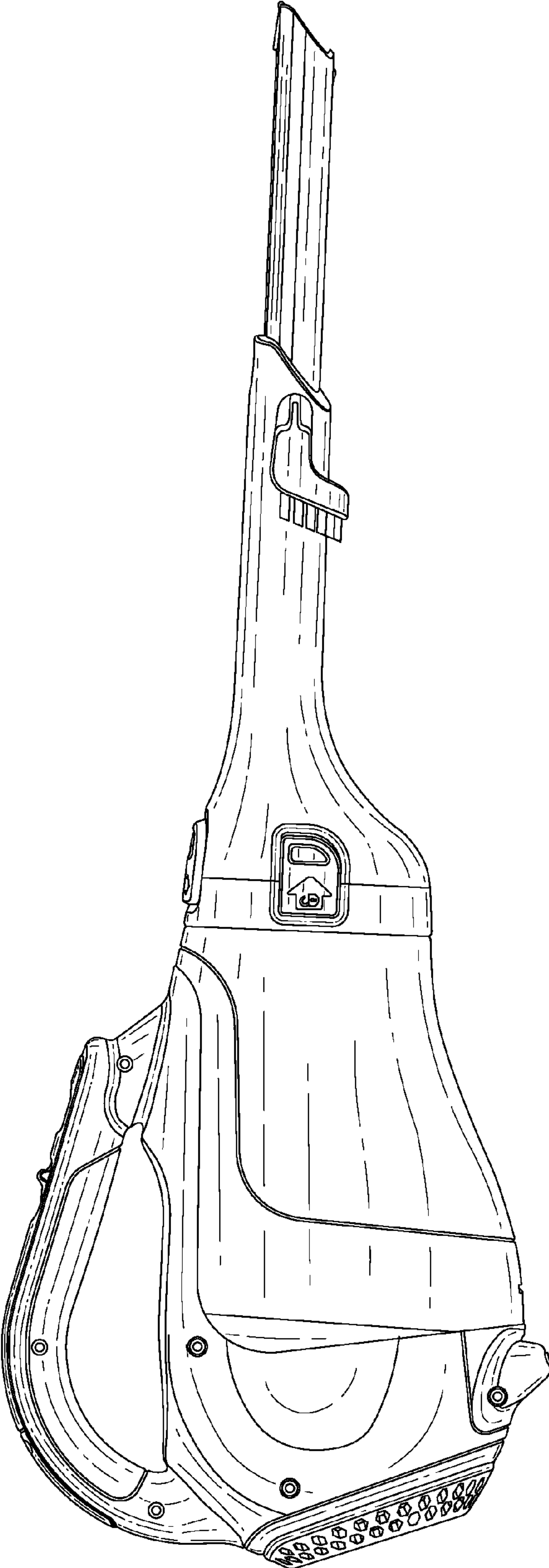


FIG. 7

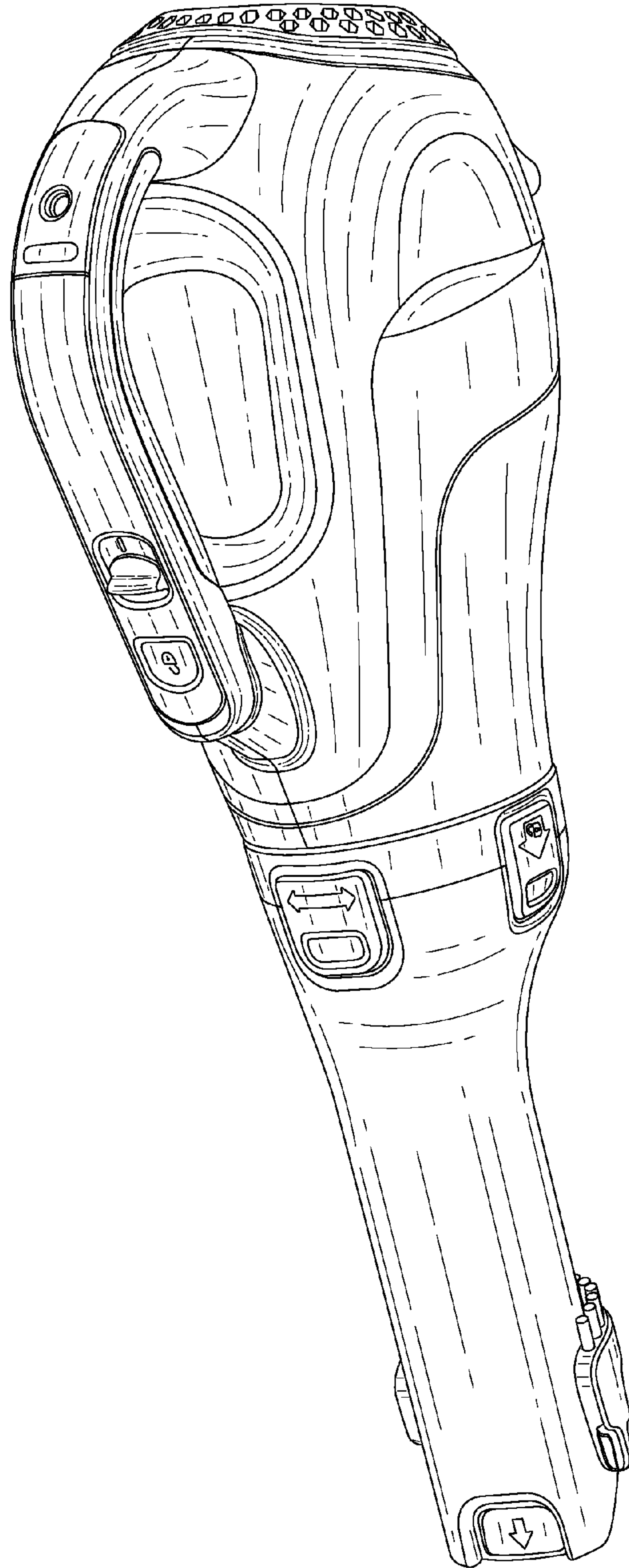


FIG. 8

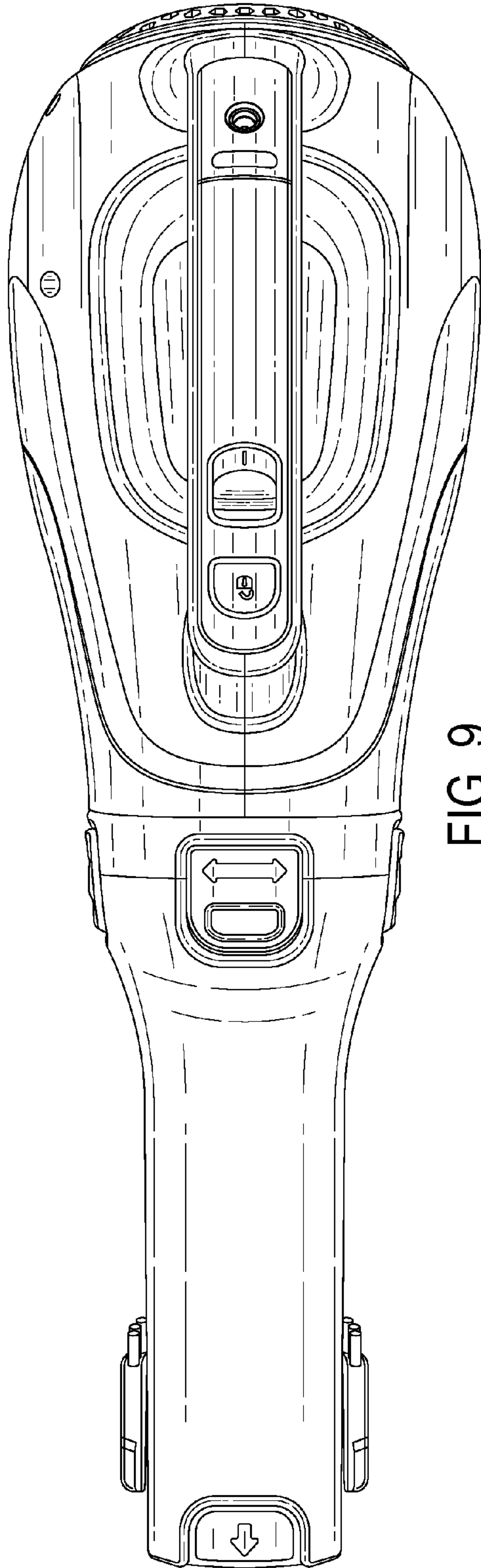


FIG. 9

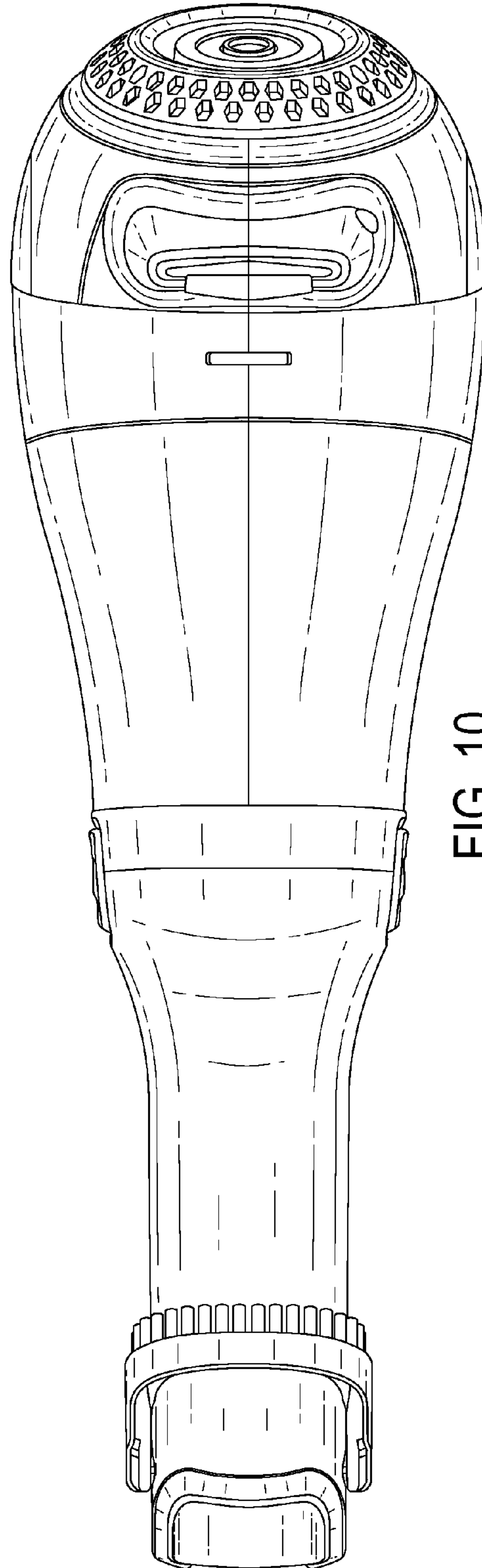


FIG. 10

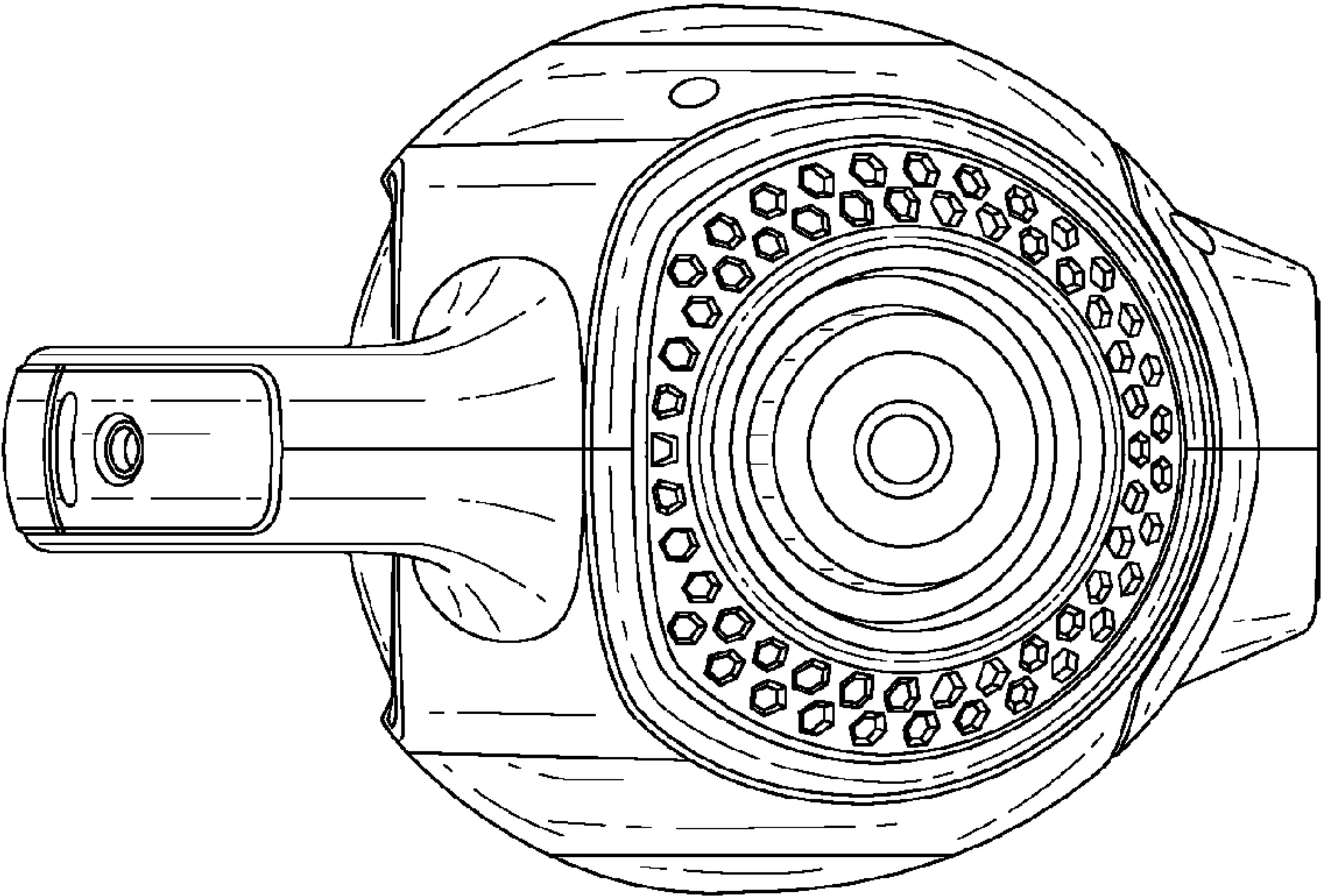


FIG. 12

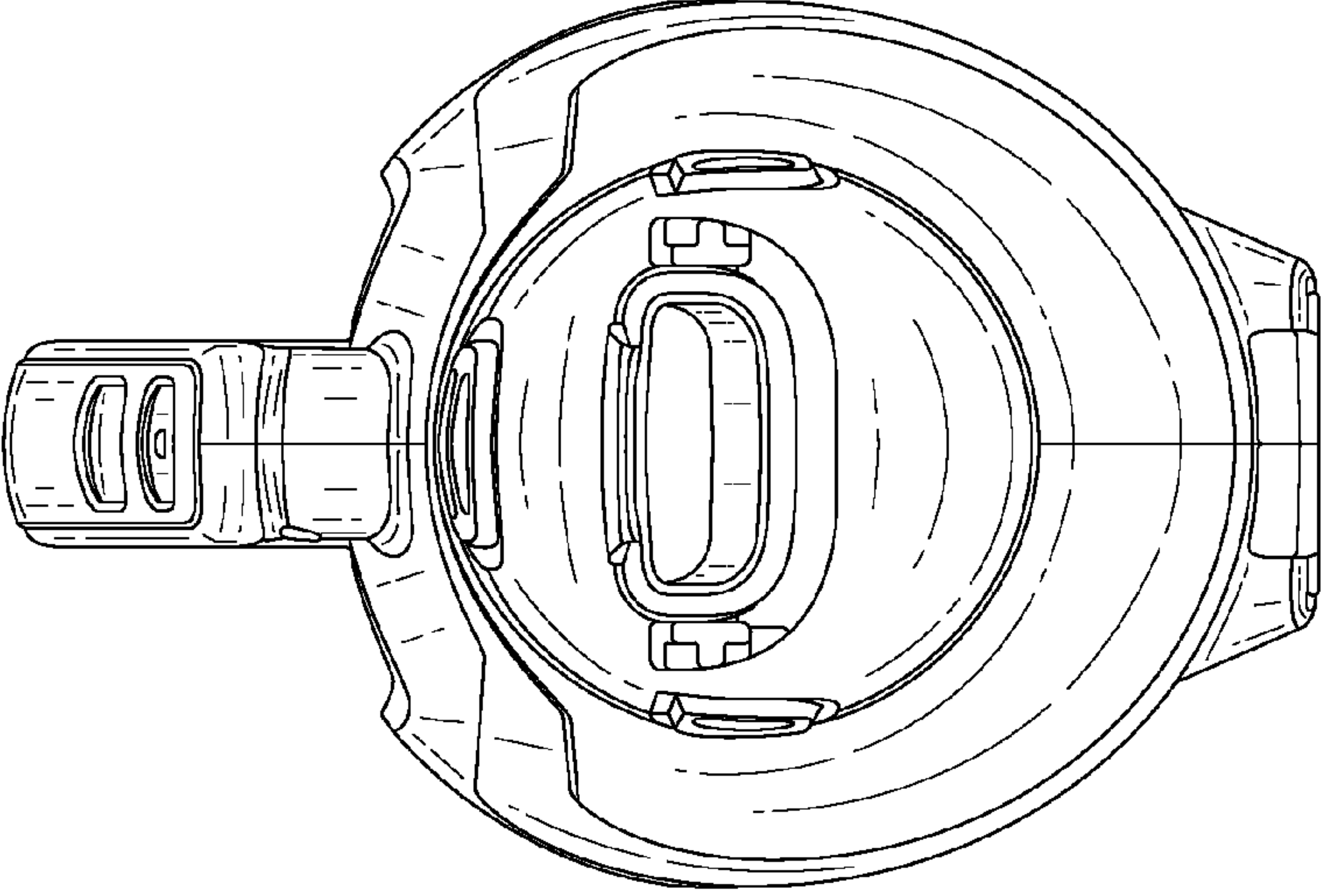


FIG. 11

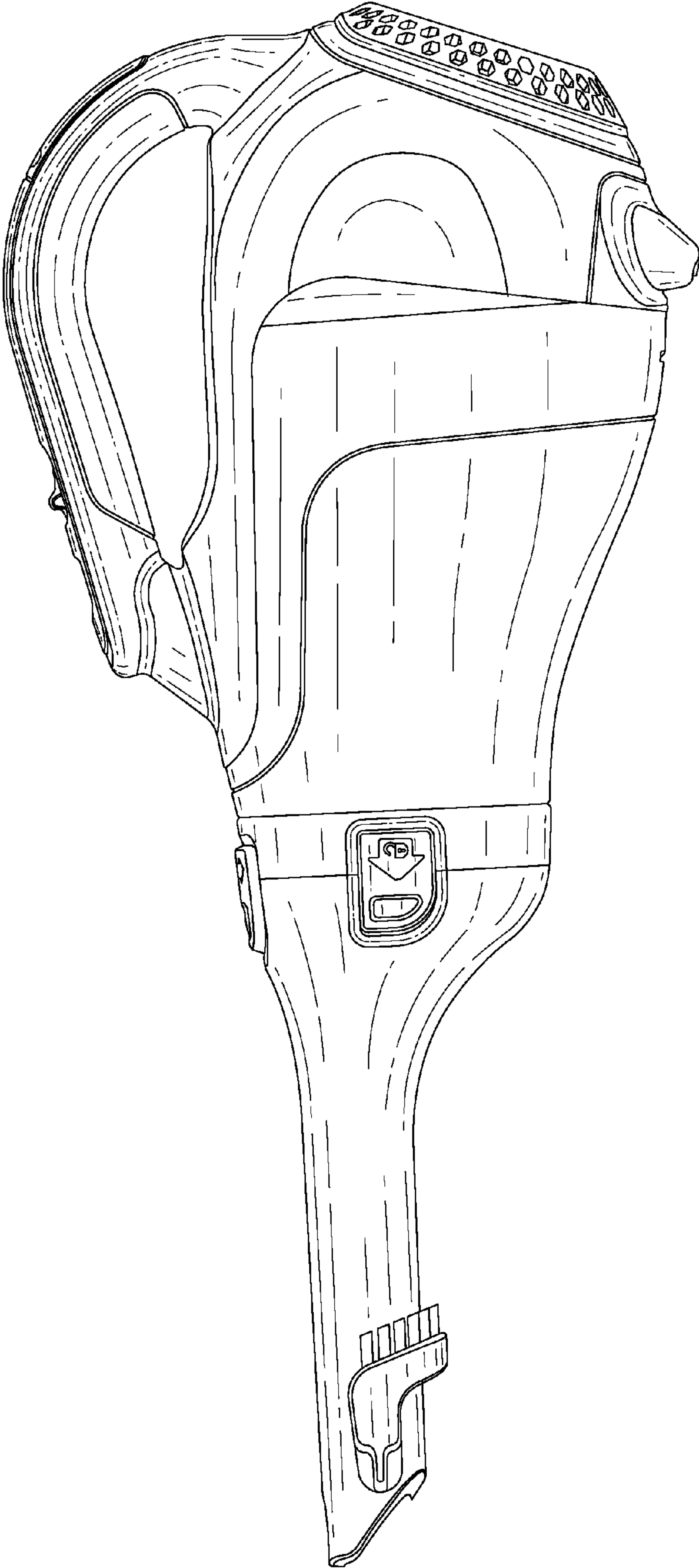


FIG. 13

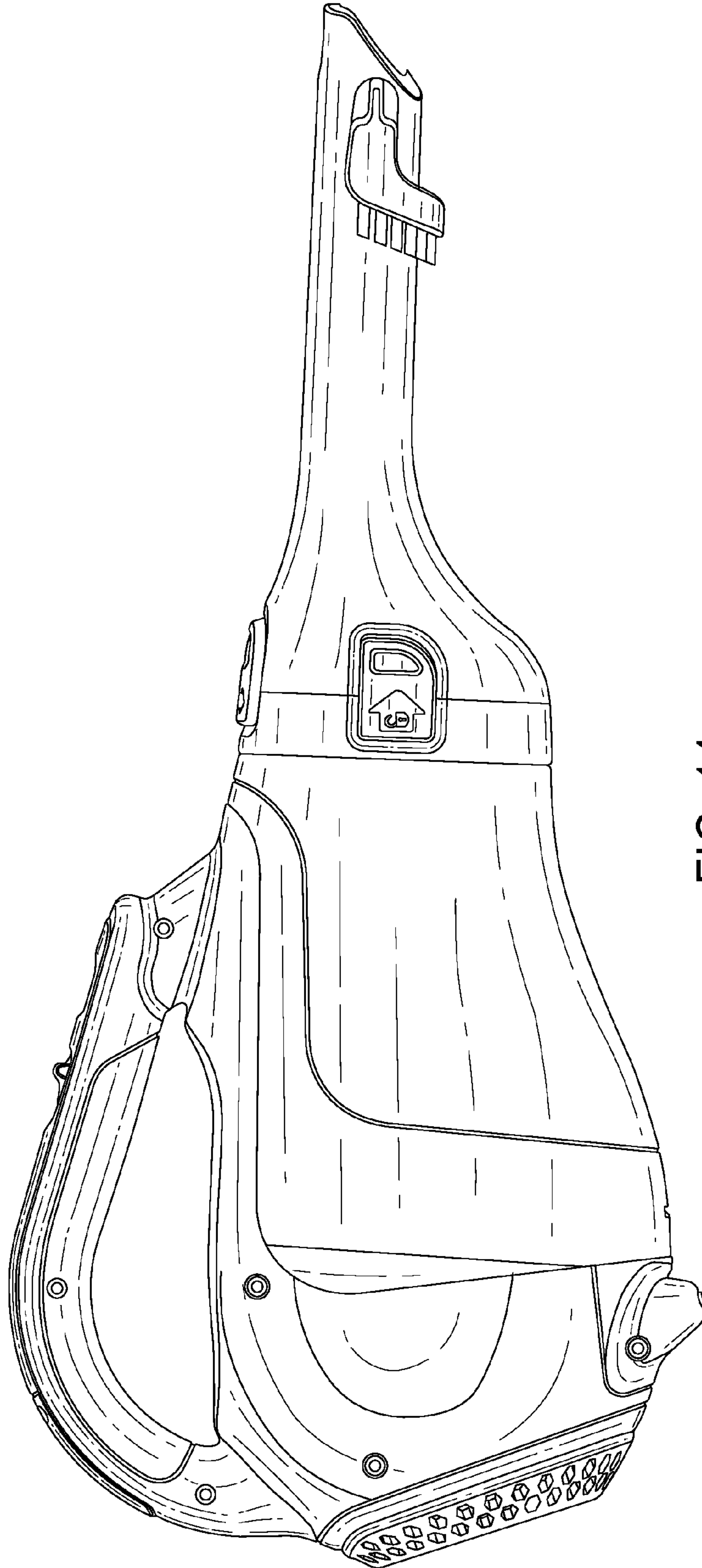


FIG. 14

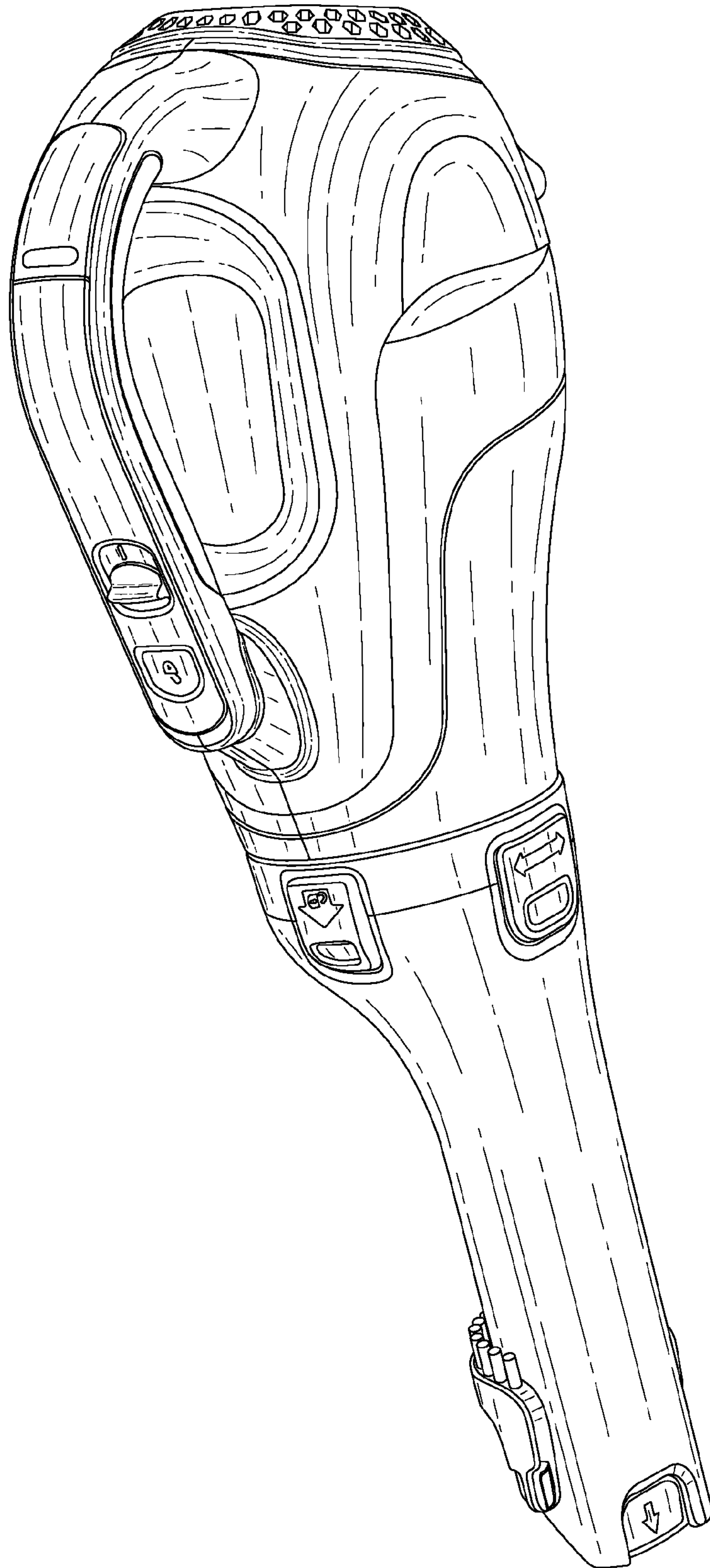


FIG. 15

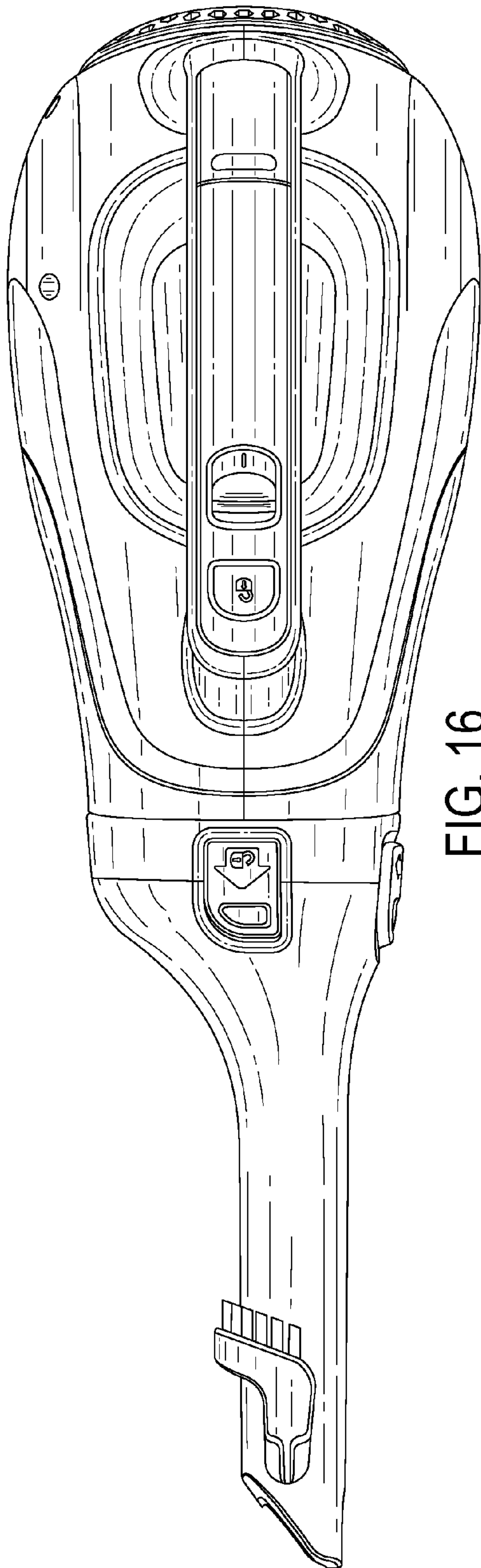


FIG. 16

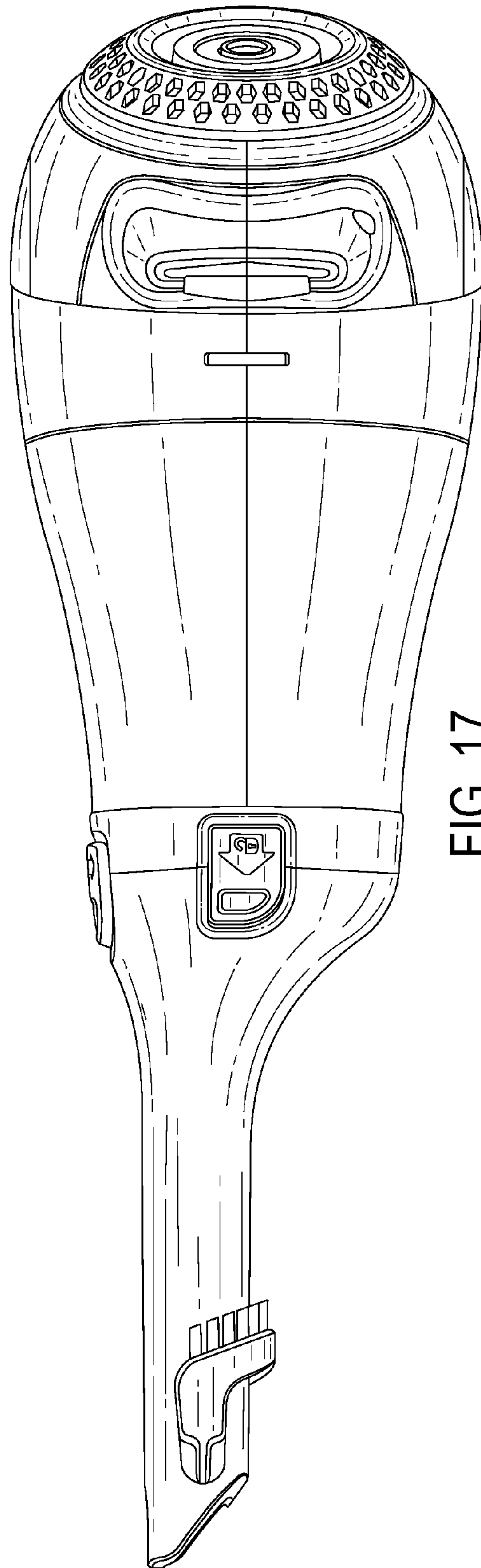


FIG. 17

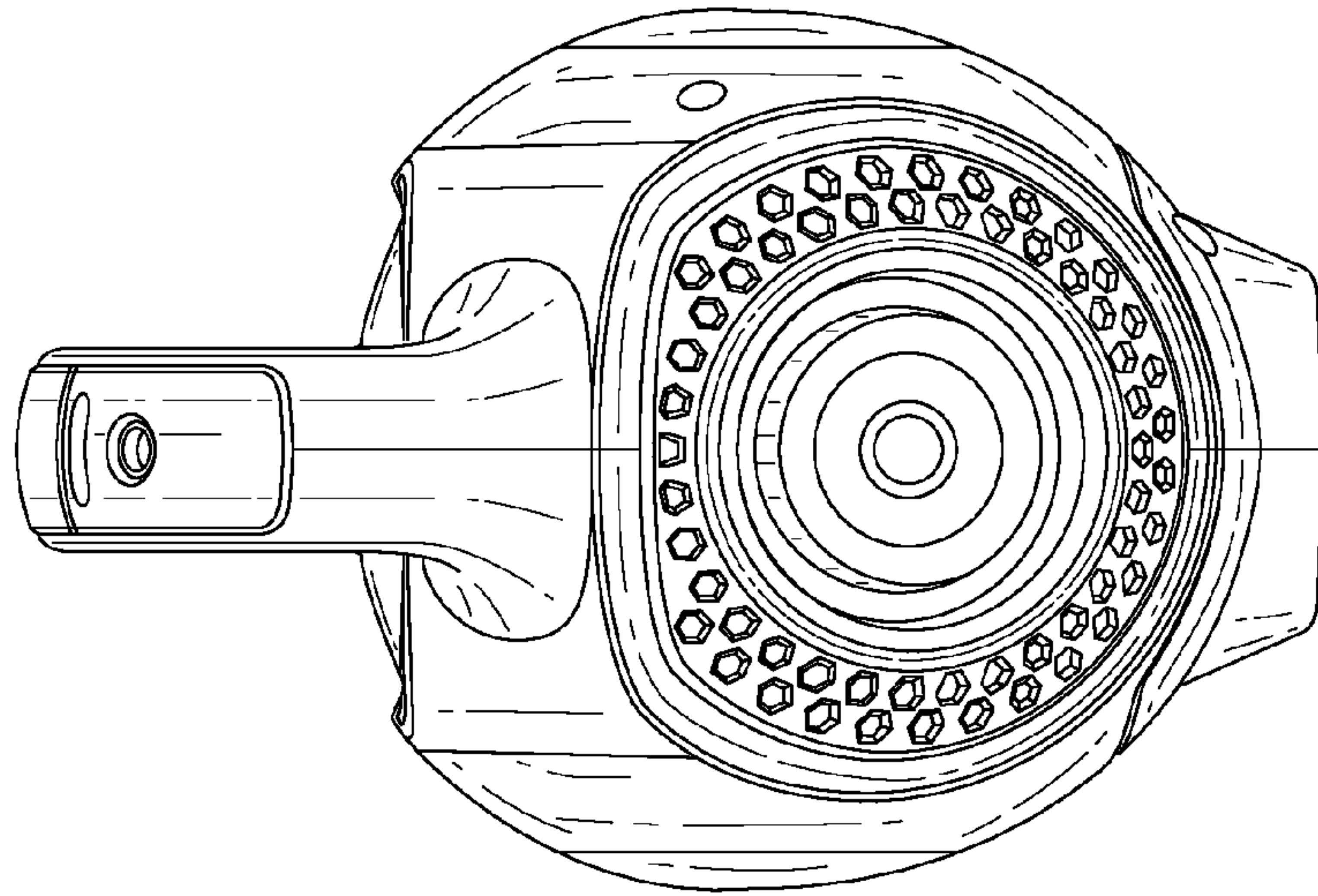


FIG. 19

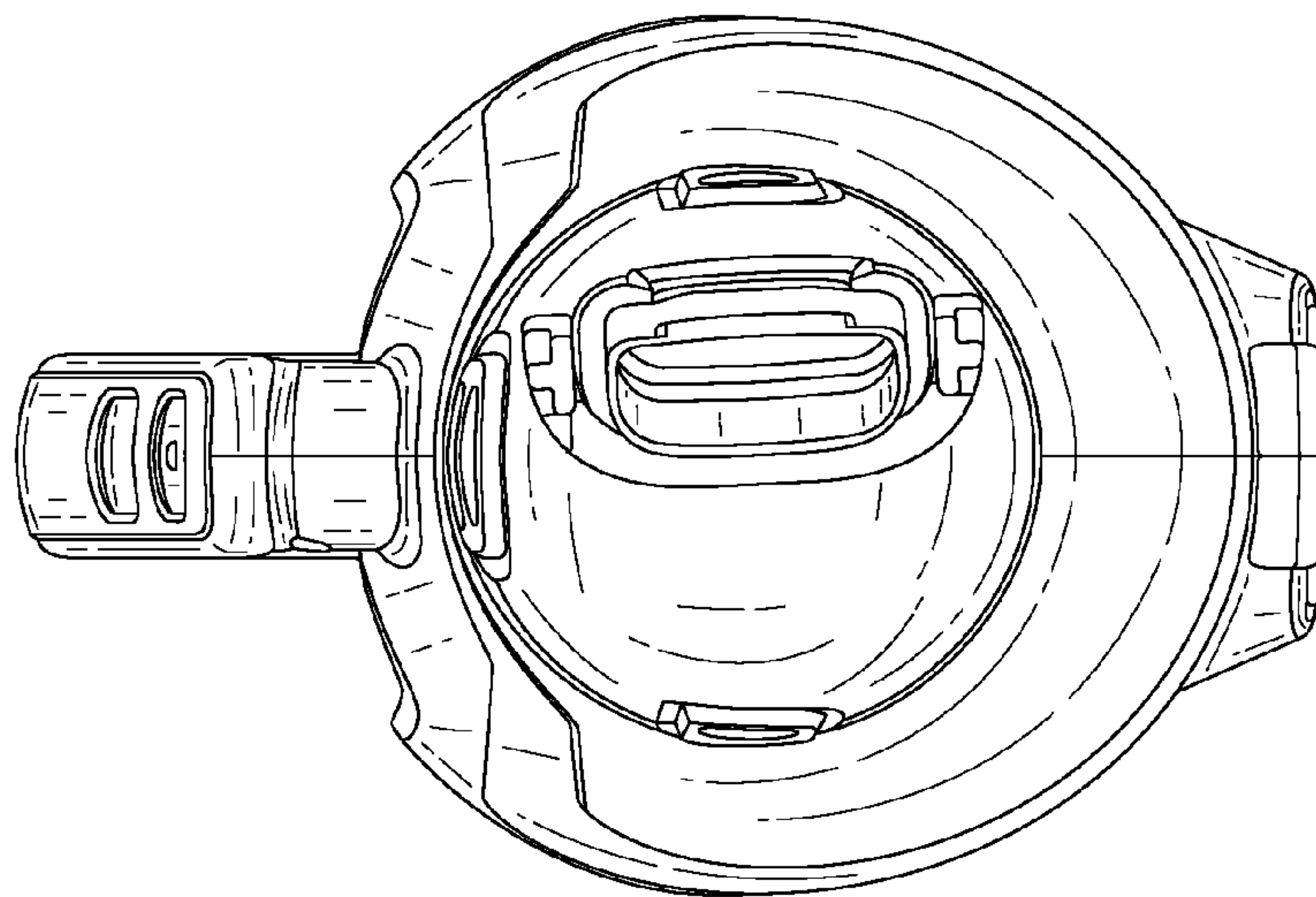


FIG. 18

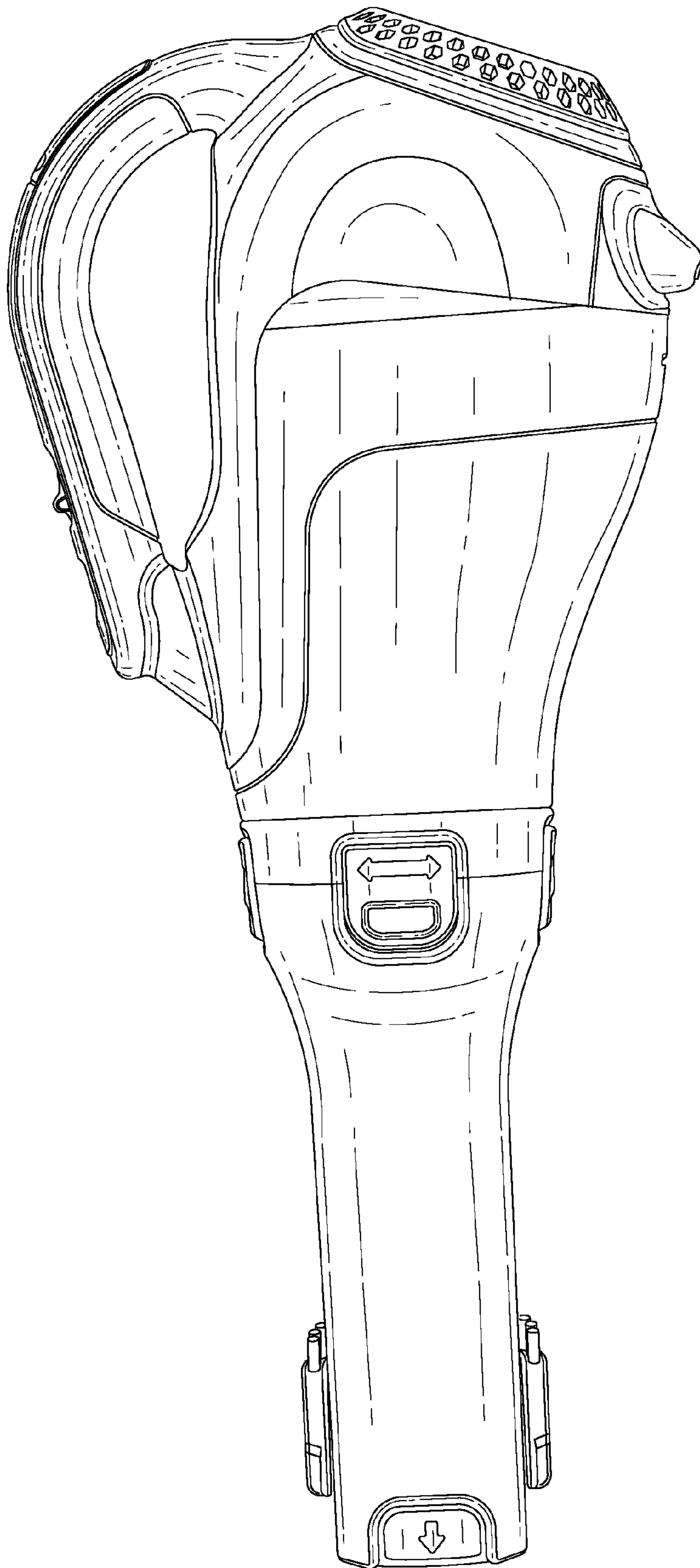


FIG. 20

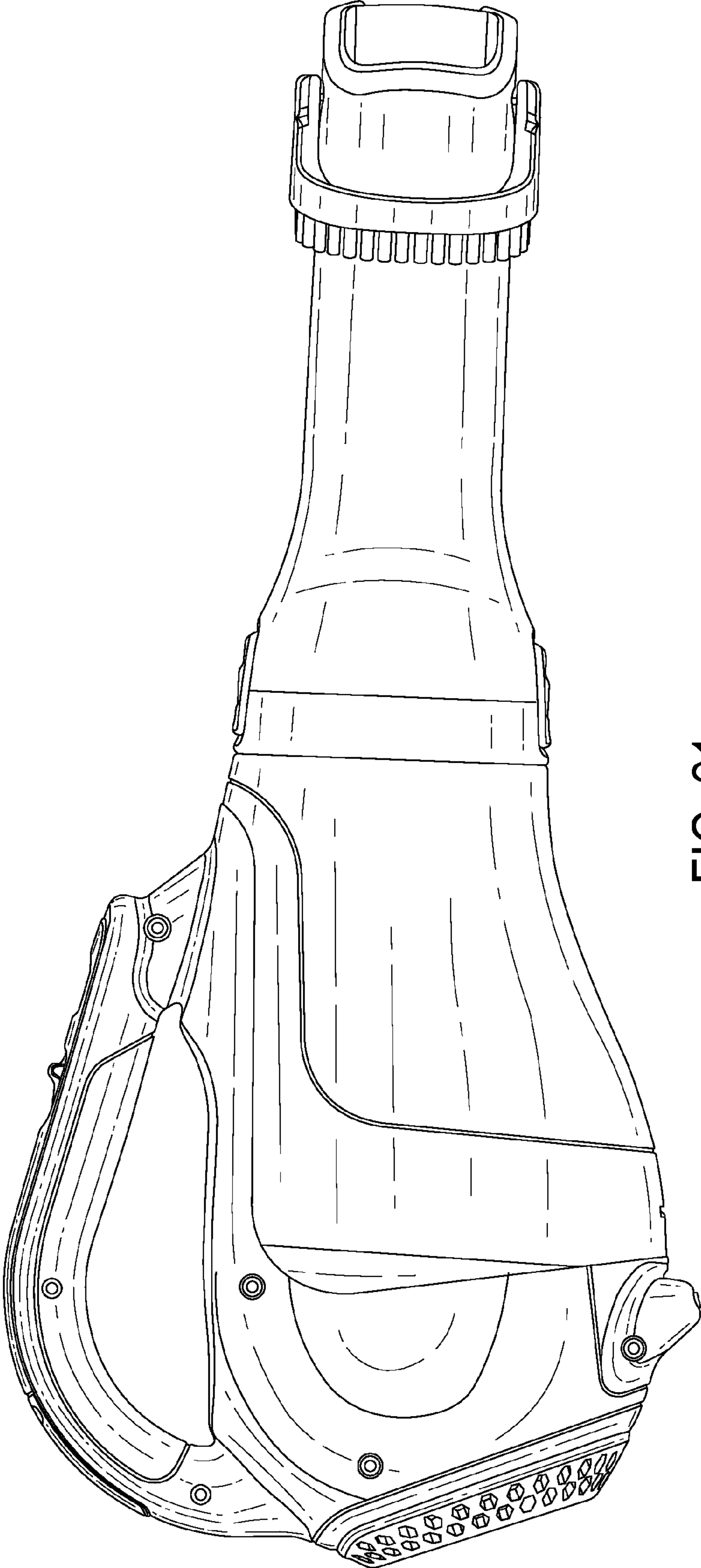


FIG. 21

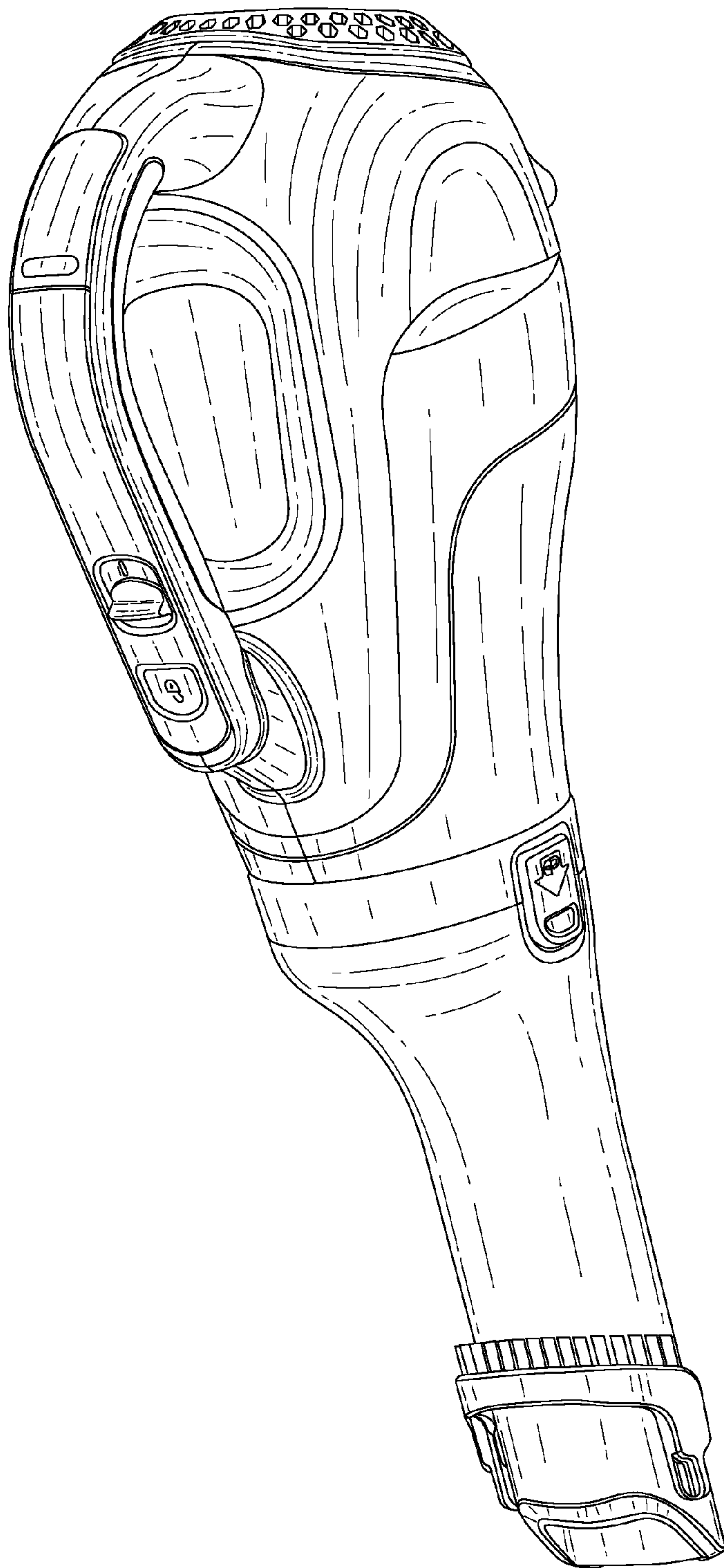


FIG. 22

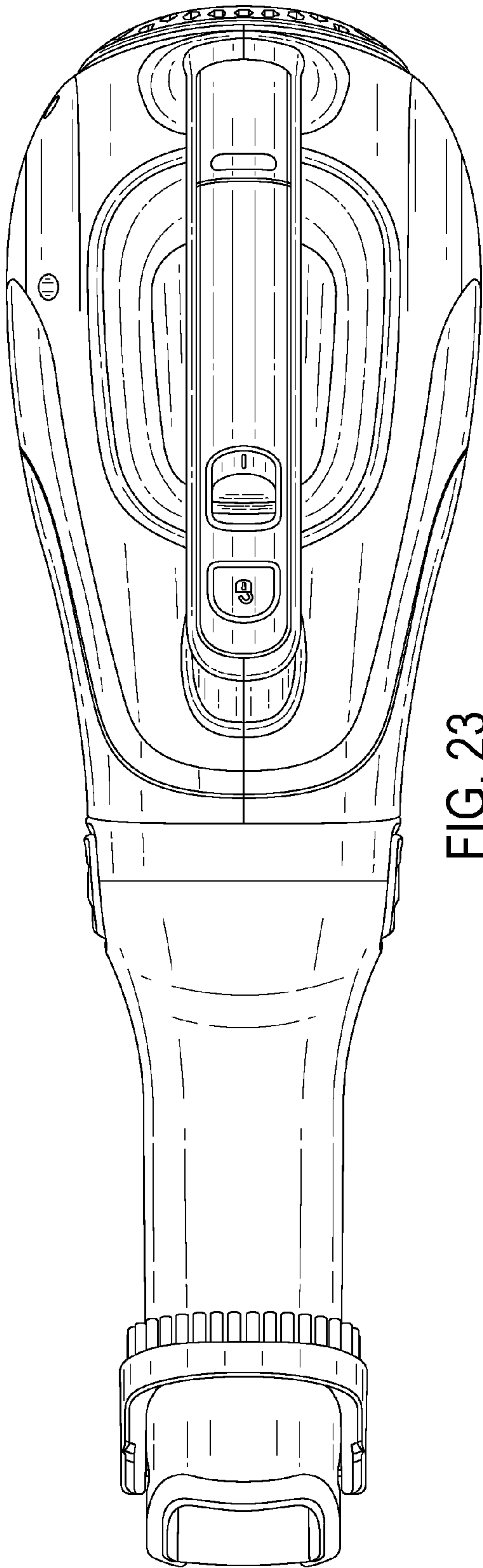


FIG. 23

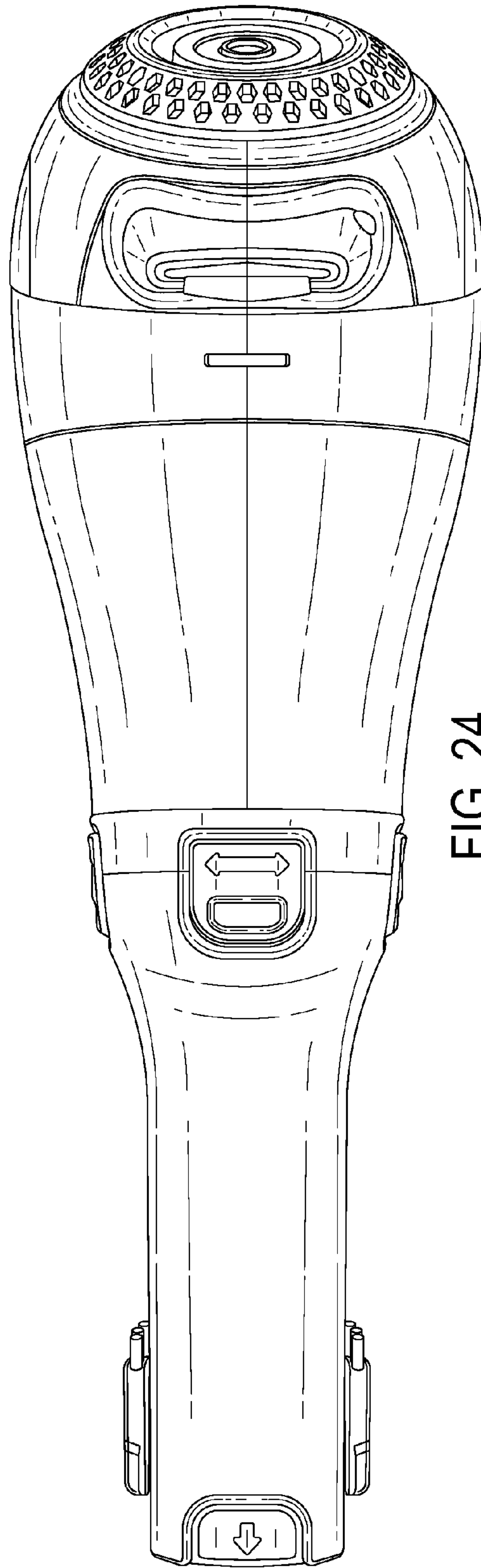


FIG. 24

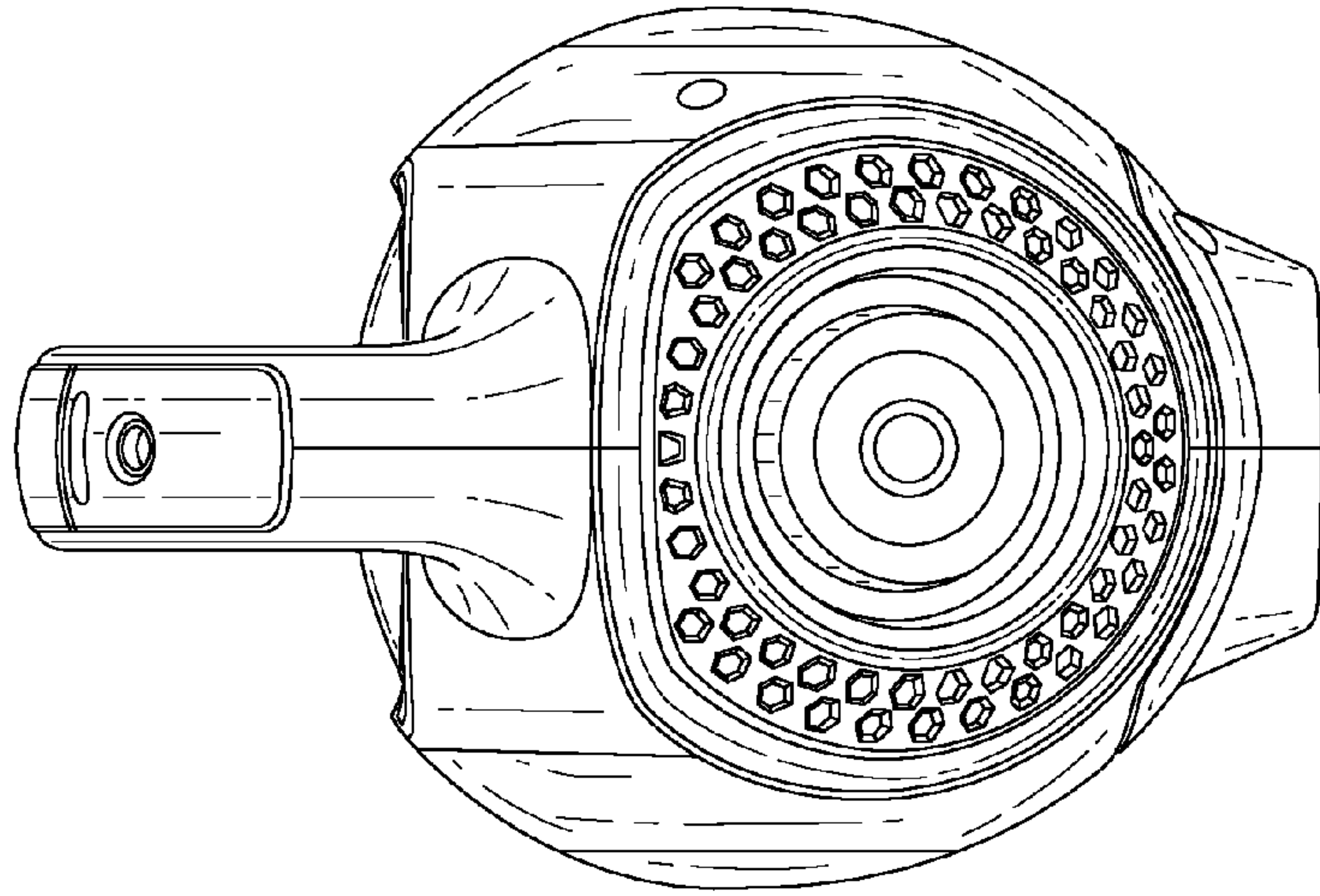


FIG. 26

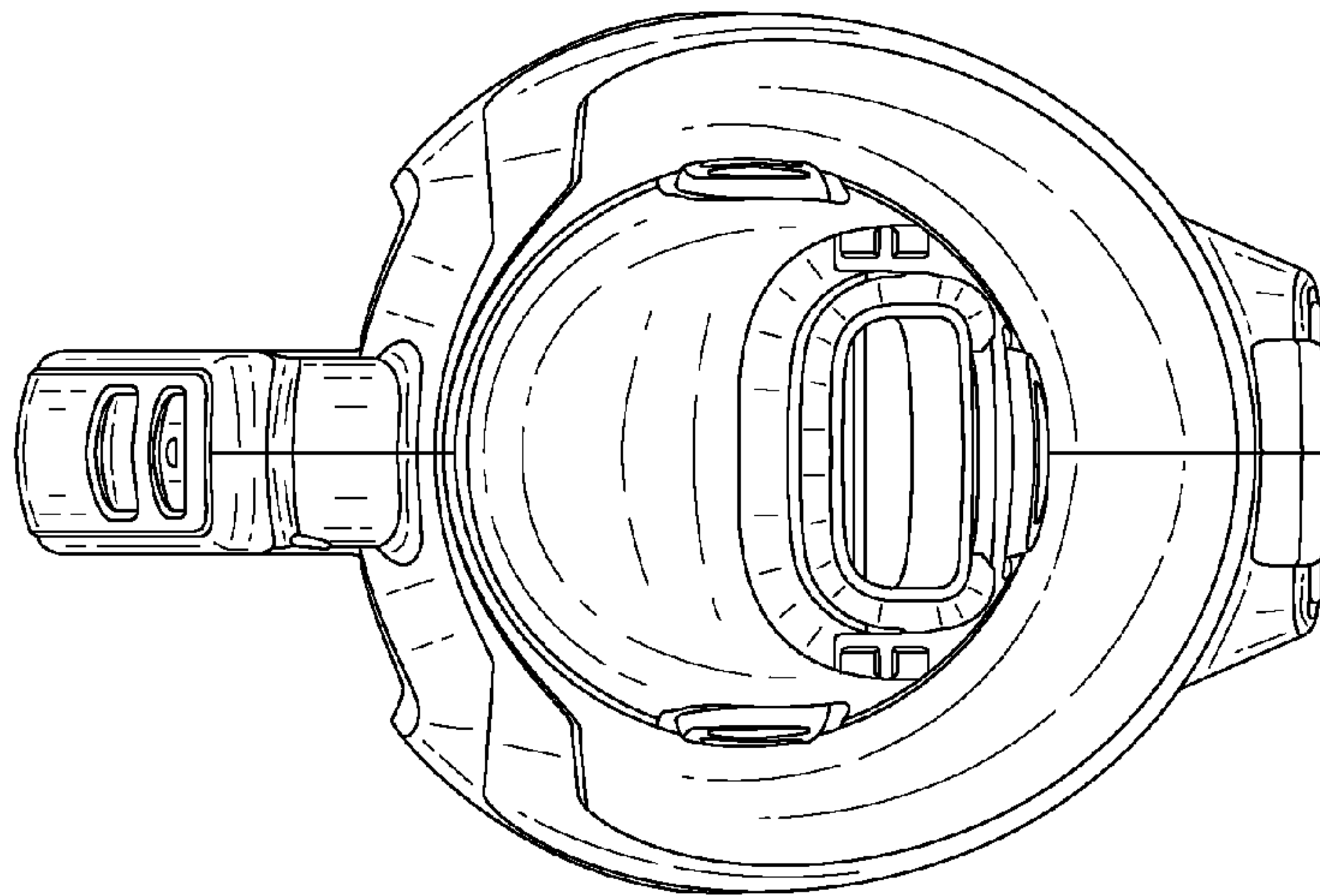


FIG. 25

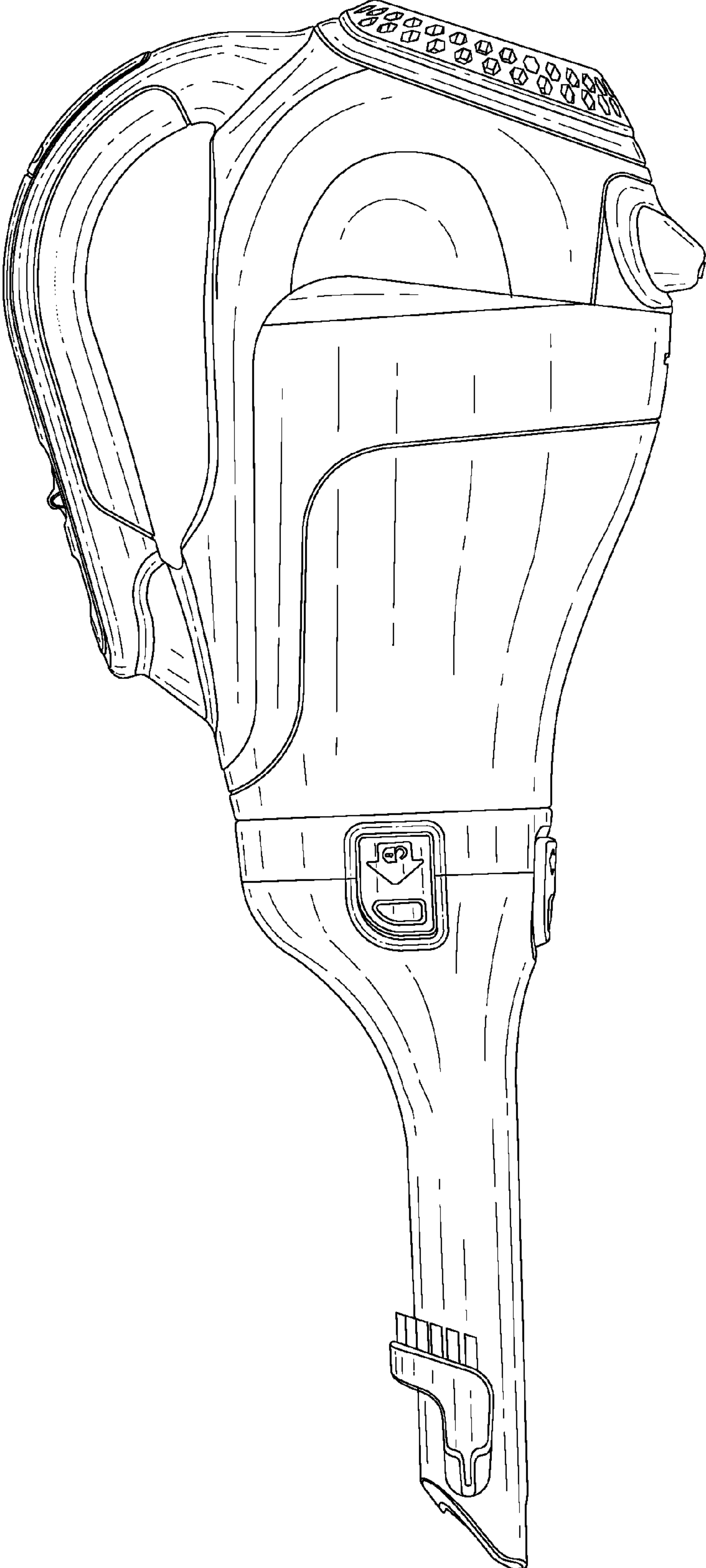


FIG. 27

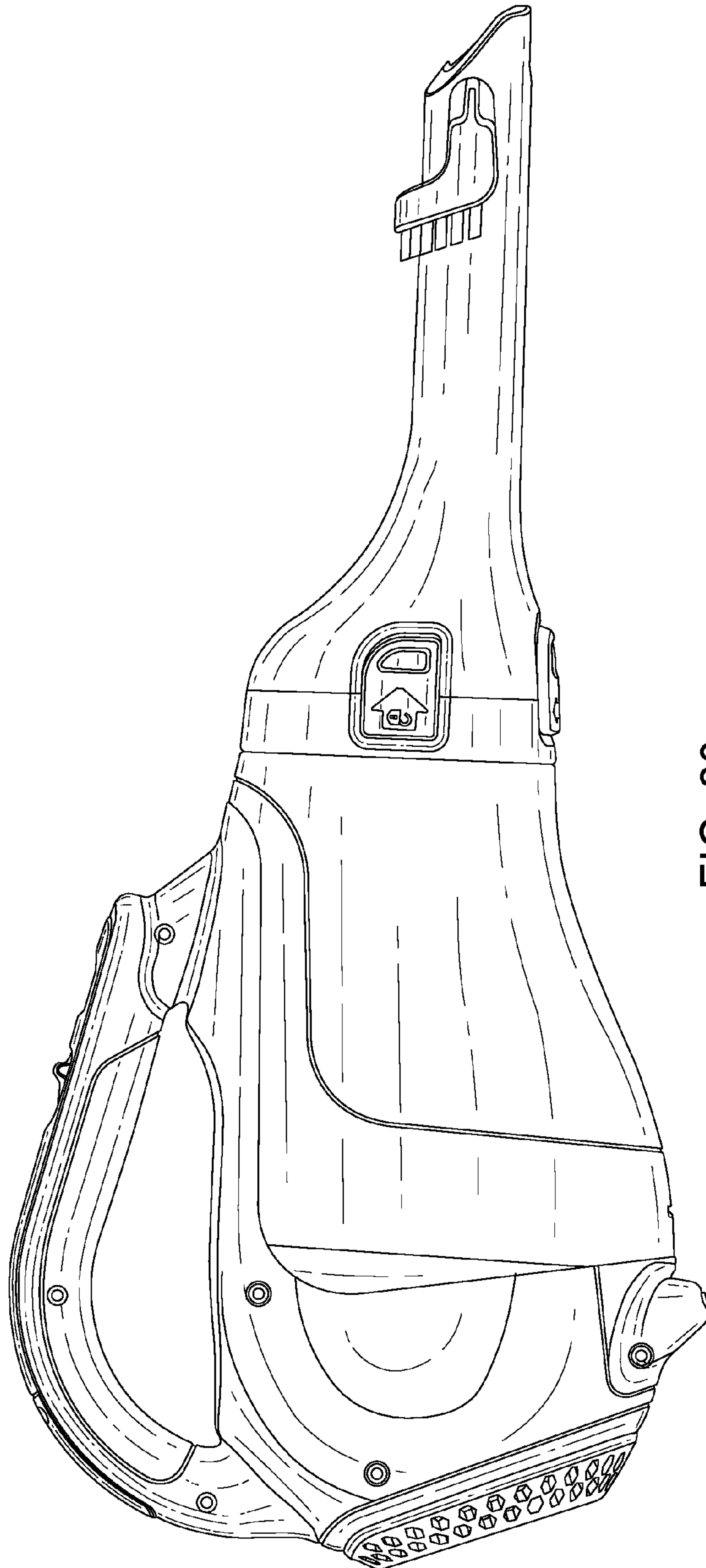


FIG. 28