



US00D641110S

(12) **United States Design Patent**
Lapalme et al.

(10) **Patent No.:** **US D641,110 S**

(45) **Date of Patent:** **** *Jul. 5, 2011**

(54) **WALL-MOUNTED AUXILIARY VACUUM UNIT**

(75) Inventors: **Amiel Lapalme**, Laval (CA); **Sylvain David**, Saint-Joseph-du-lac (CA); **François Gélinas**, Lachenaie (CA)

(73) Assignee: **WIDMAR Inc.**, St-Chrysostome, Quebec (CA)

(*) Notice: This patent is subject to a terminal disclaimer.

(**) Term: **14 Years**

(21) Appl. No.: **29/347,269**

(22) Filed: **Nov. 18, 2009**

(51) **LOC (9) Cl.** **15-05**

(52) **U.S. Cl.** **D32/18; D32/21**

(58) **Field of Classification Search** D32/21, D32/23-24, 31; 15/327.1, 327.2, 327.6, 15/327.7, 344, 353, 320-321, 301-302, 312.1, 15/314-315; 55/DIG. 3, DIG. 8
See application file for complete search history.

(56) **References Cited**

U.S. PATENT DOCUMENTS

D294,187 S *	2/1988	Bertuzzo	D32/21
D399,030 S *	9/1998	Lopes	D32/21
D403,476 S *	12/1998	Vaughan et al.	D32/21
D506,298 S *	6/2005	Schmitt	D32/21
D518,927 S *	4/2006	Rupp et al.	D32/21
D520,689 S *	5/2006	Eccardt et al.	D32/21

D534,697 S *	1/2007	Reick-Mitrisin et al.	D32/21
D537,581 S *	2/2007	Zimmerle et al.	D32/21
D537,582 S *	2/2007	Zimmerle et al.	D32/21
D538,493 S *	3/2007	Zimmerle et al.	D32/21
7,464,436 B2 *	12/2008	Malinen	15/314
7,594,295 B2 *	9/2009	Marcil et al.	15/301
D617,962 S *	6/2010	Clepper et al.	D32/21
D618,408 S *	6/2010	Clepper et al.	D32/21
2006/0150360 A1 *	7/2006	Reick-Mitrisin et al.	15/314
2007/0256269 A1	11/2007	Pagni		
2008/0092323 A1	4/2008	Smith et al.		

* cited by examiner

Primary Examiner — Ruth McInroy

(74) *Attorney, Agent, or Firm* — McDermid Turnbull & Associates

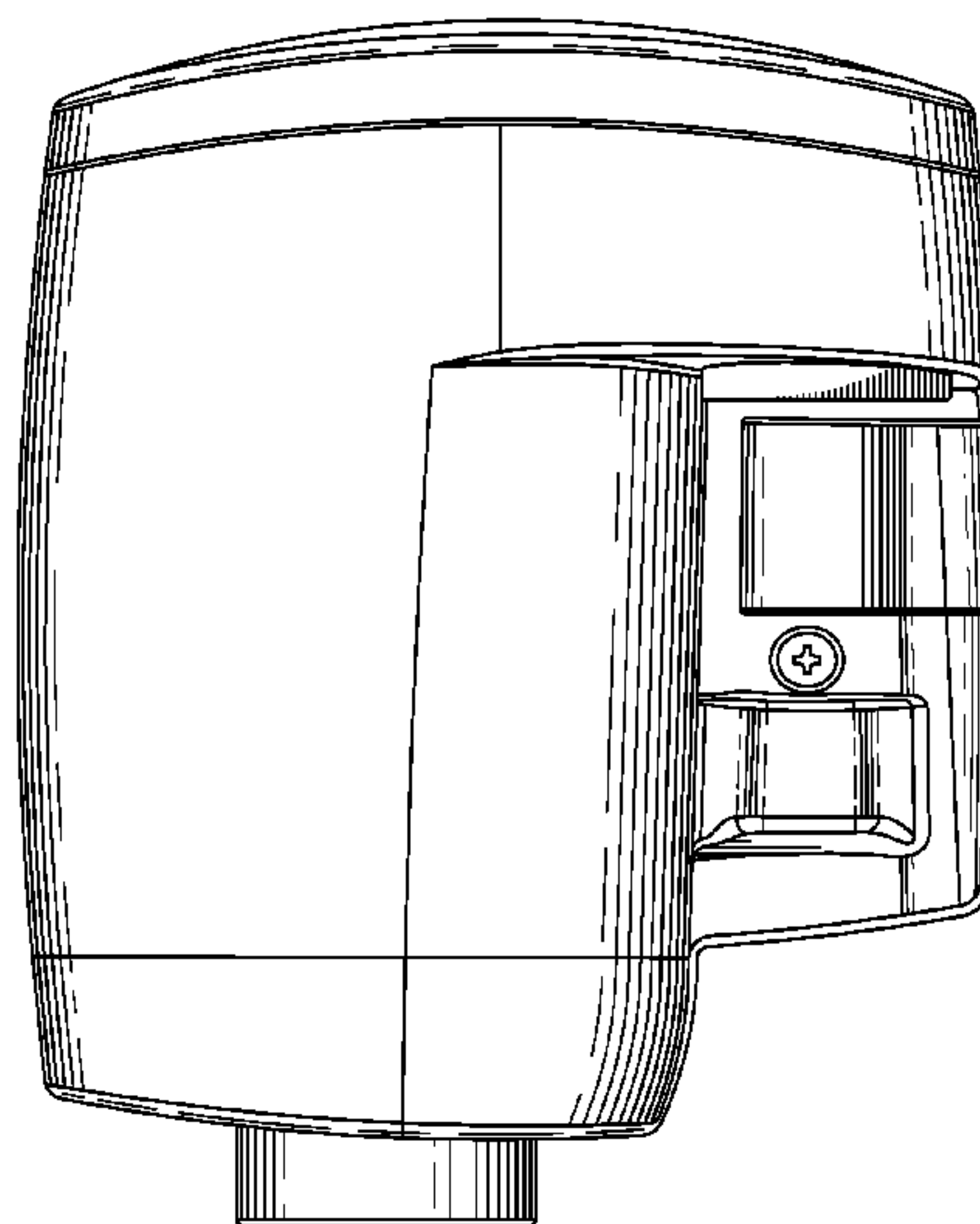
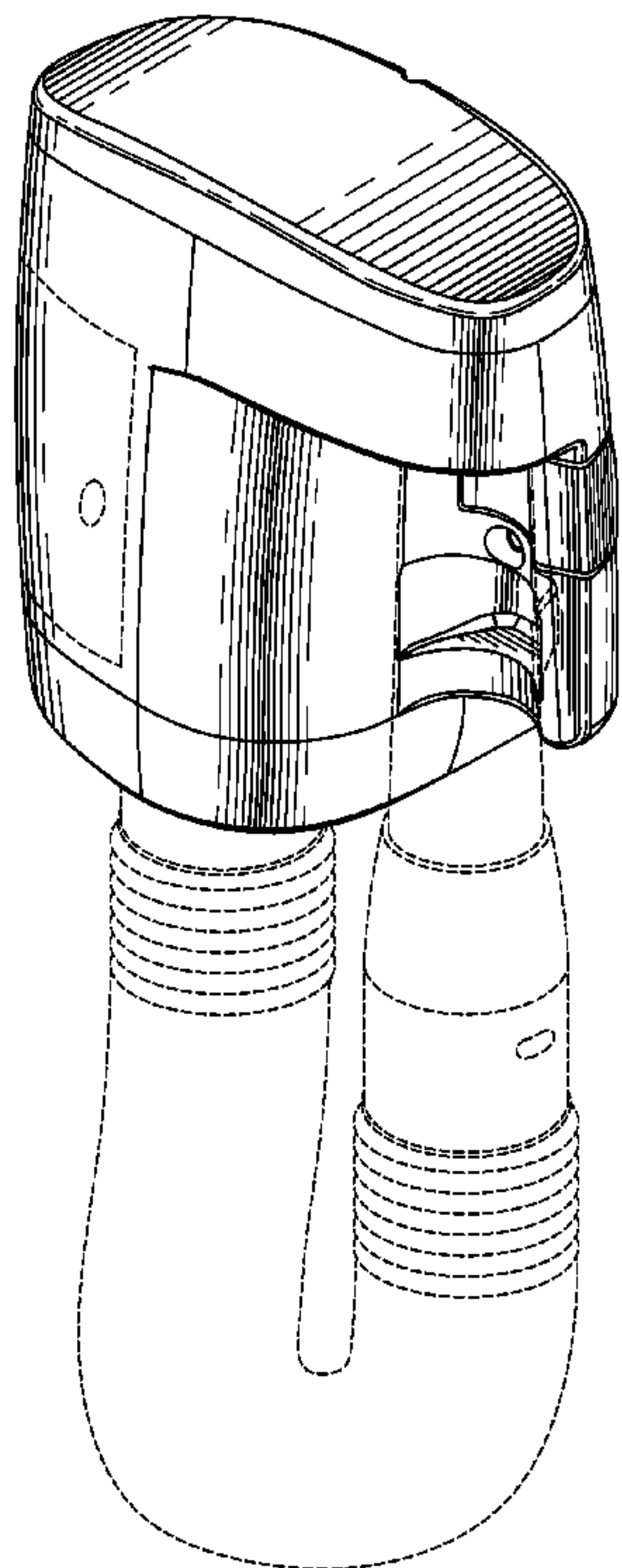
(57) **CLAIM**

The ornamental design for a wall-mounted auxiliary vacuum unit, as shown and described.

DESCRIPTION

FIG. 1 is a top front perspective view of a wall-mounted auxiliary vacuum unit showing my new design; FIG. 2 is a front elevational view thereof; FIG. 3 is a left side elevational view thereof; FIG. 4 is a right side rear elevational view thereof; FIG. 5 is a top plan view thereof; and, FIG. 6 is a bottom plan view thereof; The flexible hose and compartment door panel shown in broken lines in FIG. 1 are for illustrative purposes only and form no part of the claimed design.

1 Claim, 6 Drawing Sheets



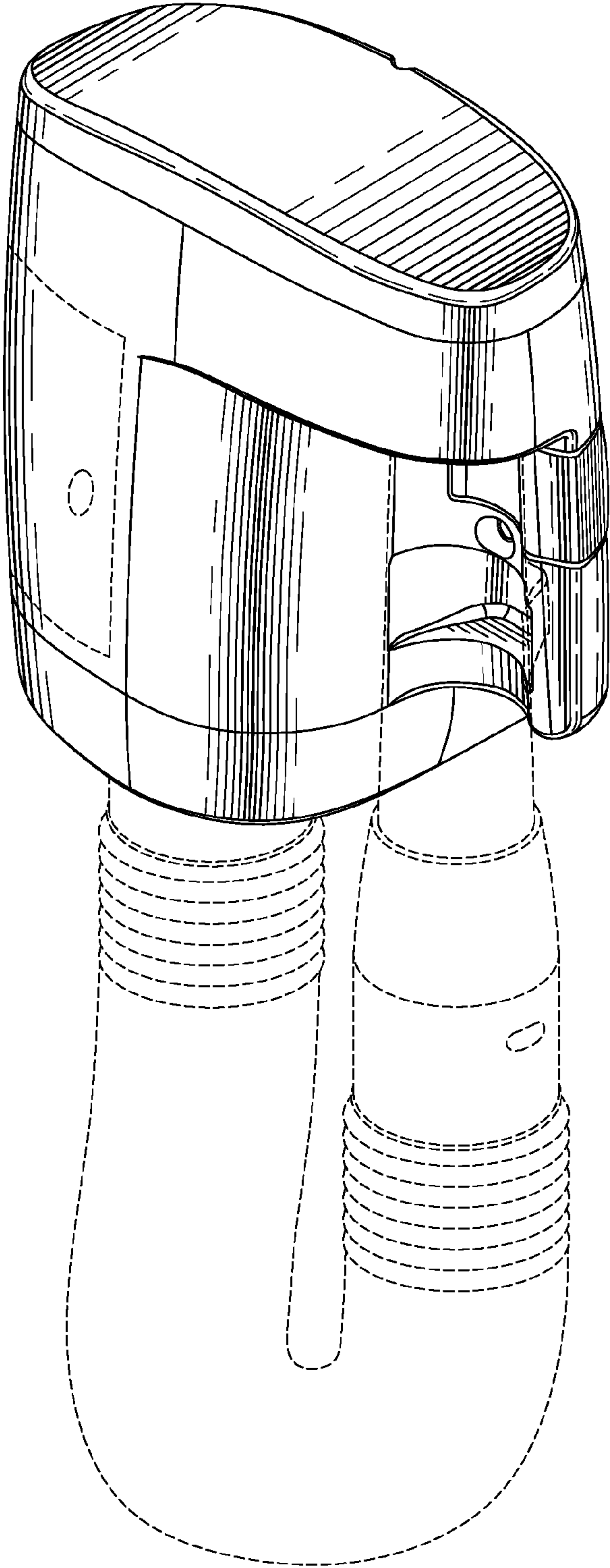


Fig-1

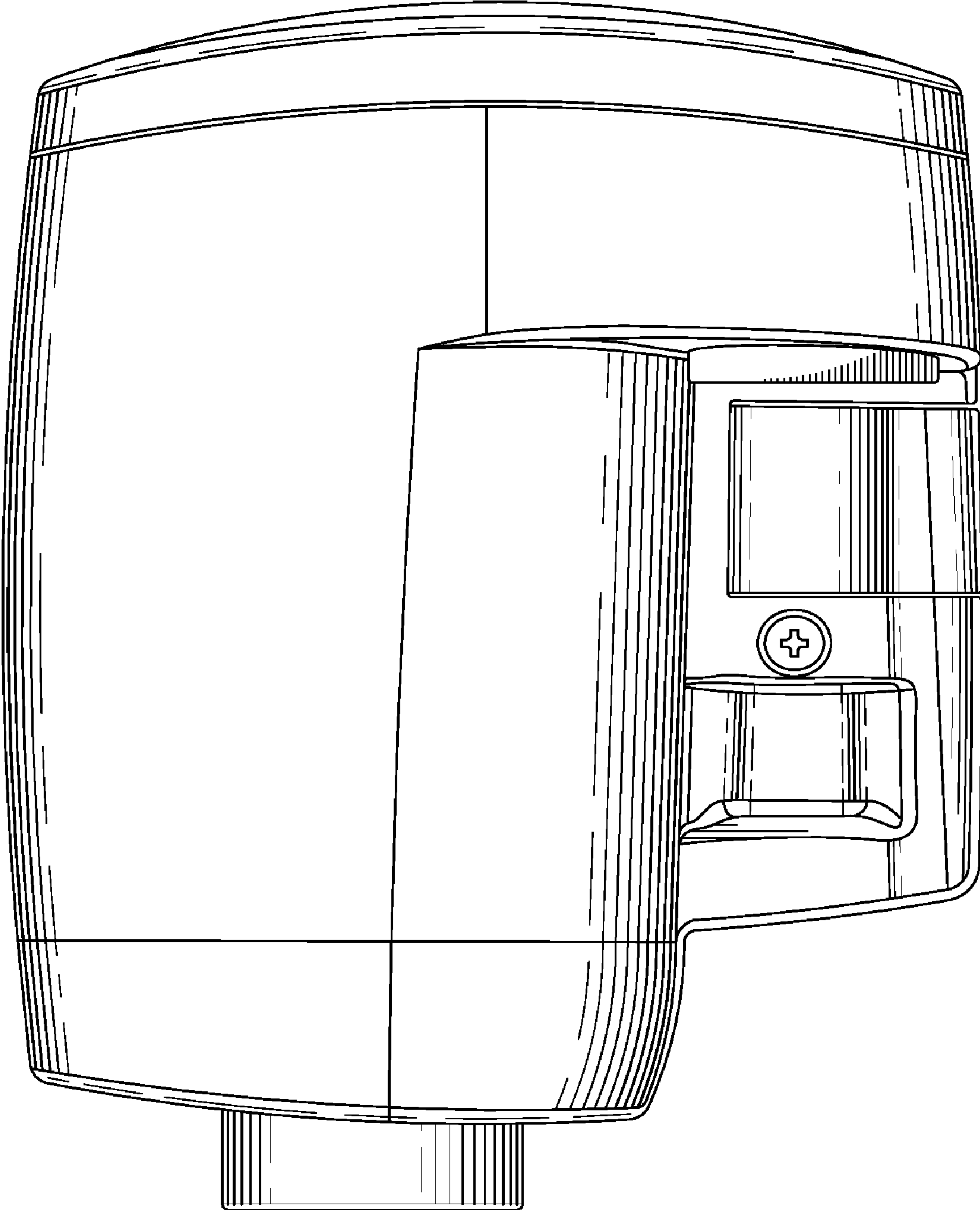


Fig-2

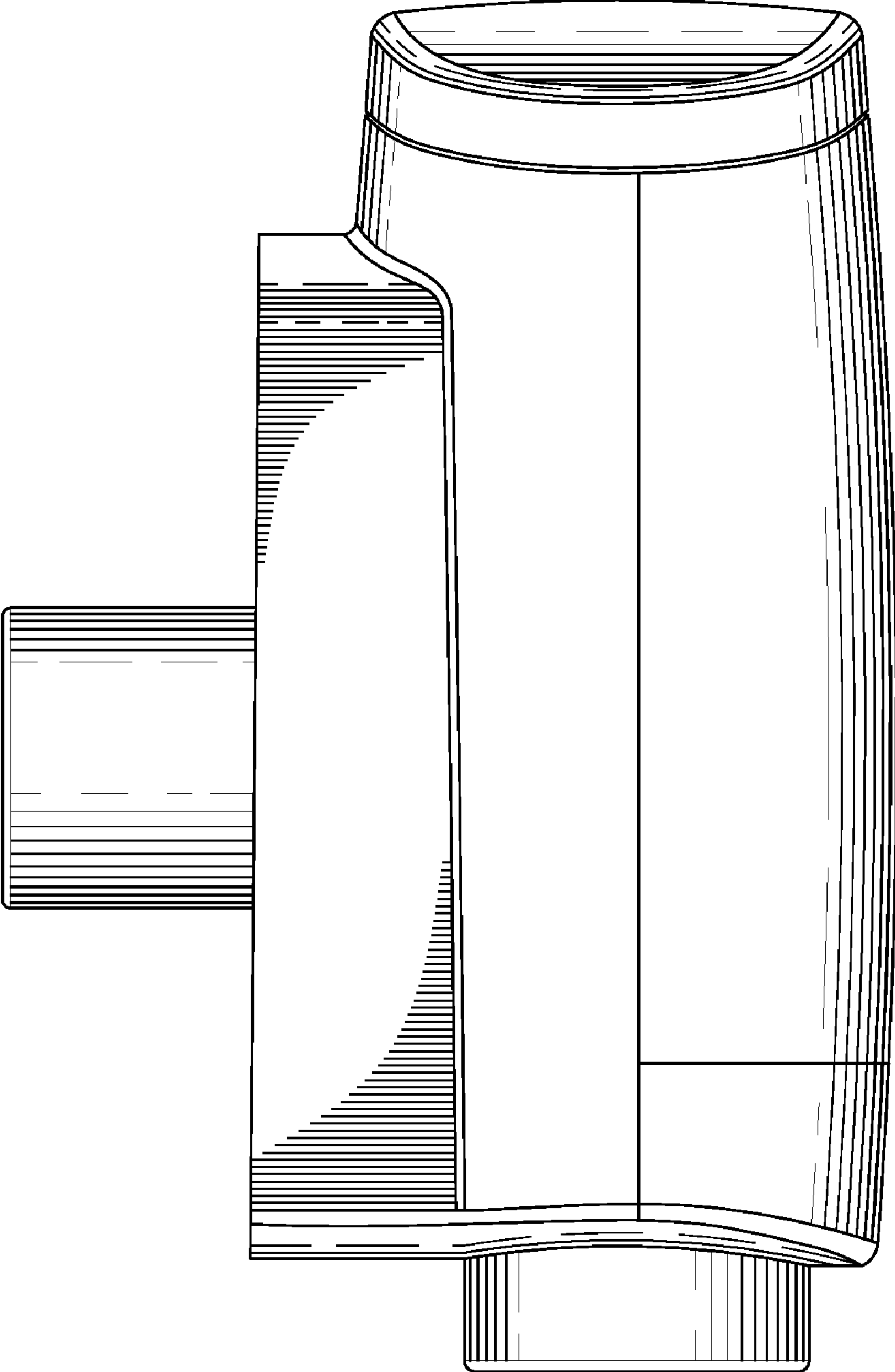


Fig-3

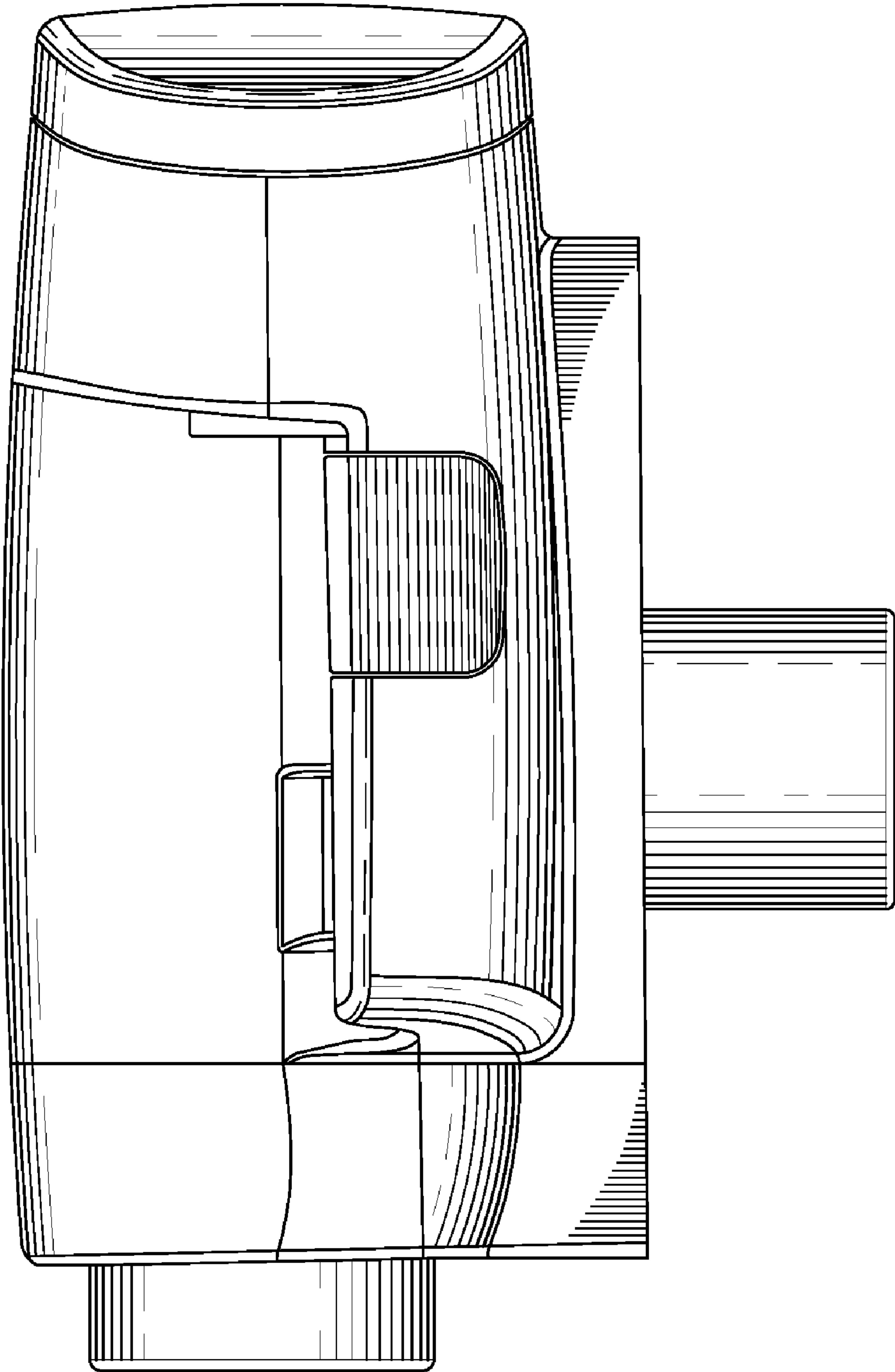


Fig-4

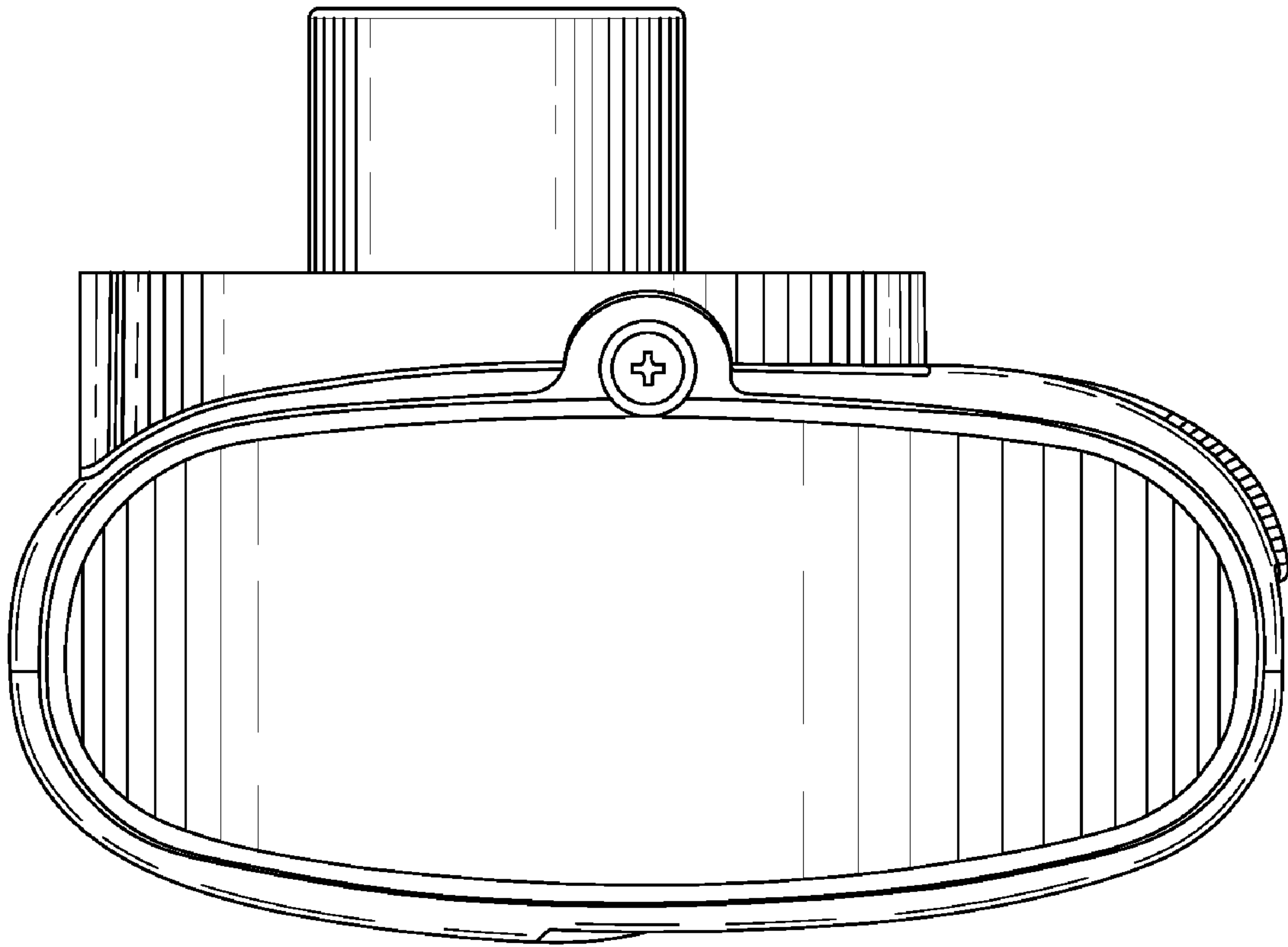


Fig-5

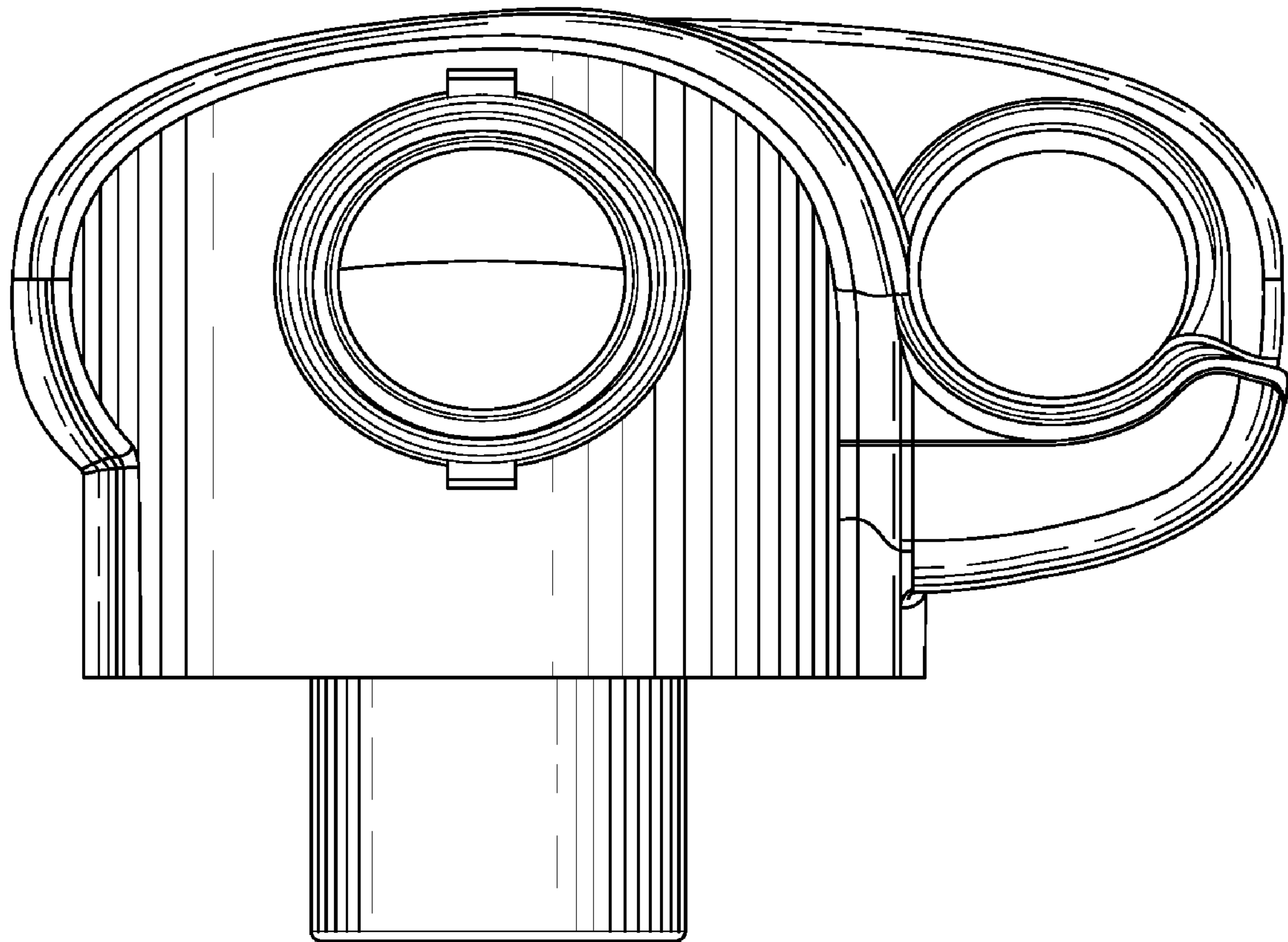


Fig. 6