



US00D641104S

(12) **United States Design Patent**
Watson et al.

(10) **Patent No.:** **US D641,104 S**
(45) **Date of Patent:** **** Jul. 5, 2011**

(54) **PORTION OF A SHAVING RAZOR**

(75) Inventors: **Brian Patrick Watson**, Albion, RI (US);
Christopher Ramm, North Attleboro,
MA (US)

(73) Assignee: **The Gillette Company**, Boston, MA
(US)

(**) Term: **14 Years**

(21) Appl. No.: **29/379,091**

(22) Filed: **Nov. 15, 2010**

(51) **LOC (9) Cl.** **28-03**

(52) **U.S. Cl.** **D28/47**

(58) **Field of Classification Search** D28/44-48;
30/32, 22.05, 34.1-34.2, 41, 44-46, 47-51,
30/57-58, 77-84, 526-539, 346.5-346.56,
30/346.61, 3.05

See application file for complete search history.

(56) **References Cited**

U.S. PATENT DOCUMENTS

D534,688 S *	1/2007	Provost et al.	D28/48
D563,045 S *	2/2008	Provost et al.	D28/48
D563,046 S *	2/2008	Provost et al.	D28/48
D616,607 S *	5/2010	Ramm et al.	D28/48

OTHER PUBLICATIONS

U.S. Appl. No. 29/368,363, filed Aug. 23, 2010, Brian P. Watson.
U.S. Appl. No. 29/378,192, filed Nov. 1, 2010, Brian P. Watson et al.

U.S. Appl. No. 29/379,097, filed Nov. 15, 2010, Brian P. Watson.
Schick Quattro for Women Disposable Razor, "For Her," <http://www.brandpower.com/aus/spotlight.asp?id=817> (under "For Her" Tab) (accessed on Dec. 8, 2010) (1 page).
Schick Quattro Titanium for Men Disposable Razor, "For Him," <http://www.brandpower.com/aus/spotlight.asp?id=817> (under "For Him" Tab) (accessed on Dec. 8, 2010) (1 page).

* cited by examiner

Primary Examiner — Jennifer Rivard

(74) *Attorney, Agent, or Firm* — Austin P. Wang; Kevin C. Johnson; Steven W. Miller

(57) **CLAIM**

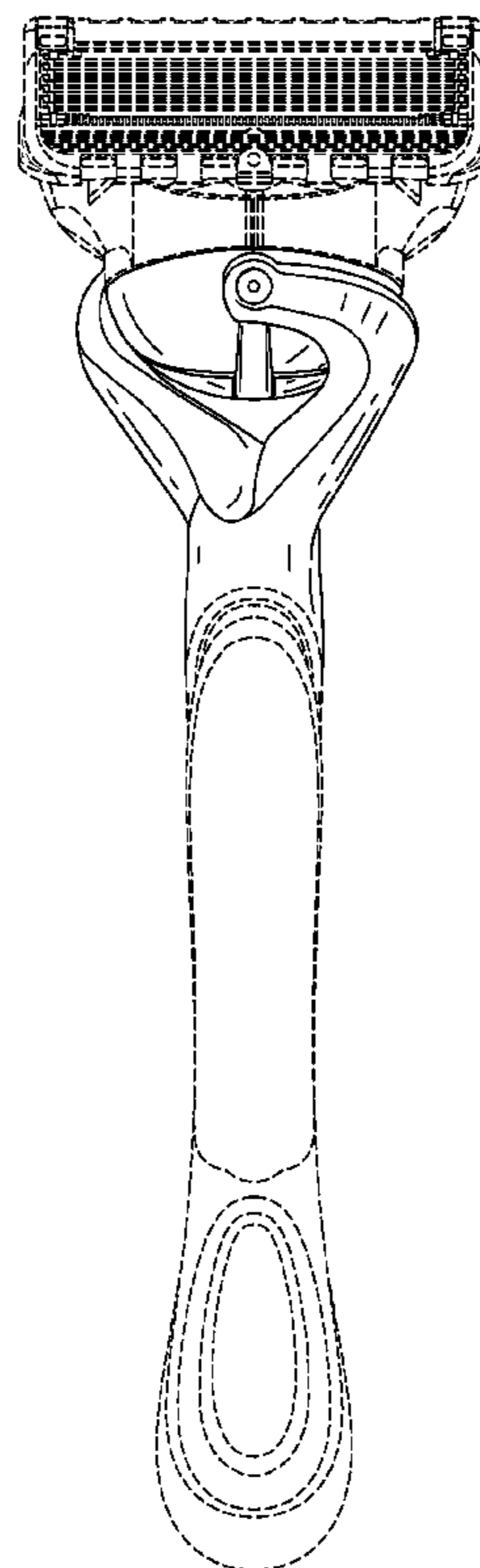
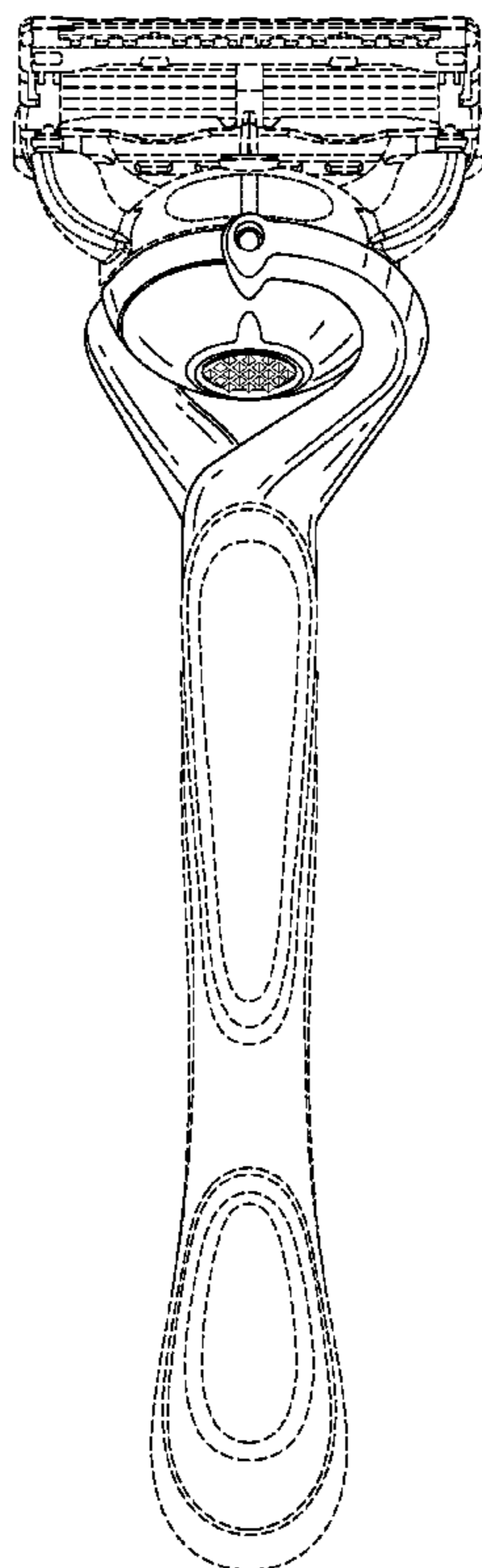
The ornamental design for a portion of a shaving razor, as shown and described.

DESCRIPTION

FIG. 1 is a perspective view of a portion of a shaving razor of the present invention;
FIG. 2 is a top view thereof;
FIG. 3 is a bottom view thereof;
FIG. 4 is a right view thereof;
FIG. 5 is a left view thereof;
FIG. 6 is a front view thereof; and,
FIG. 7 is a rear view thereof.

The broken lines which connect the ends of the existing full line disclosure define the bounds of the claimed design. All other broken lines are for illustrative purposes only. None of the broken lines forms part of the claimed design.

1 Claim, 4 Drawing Sheets



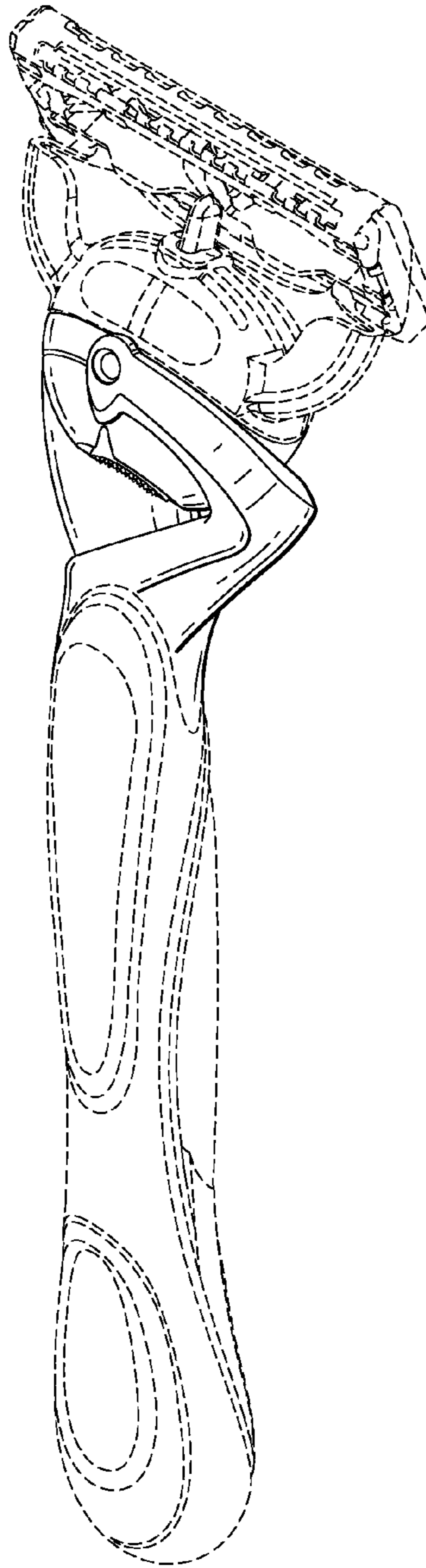


FIG. 1

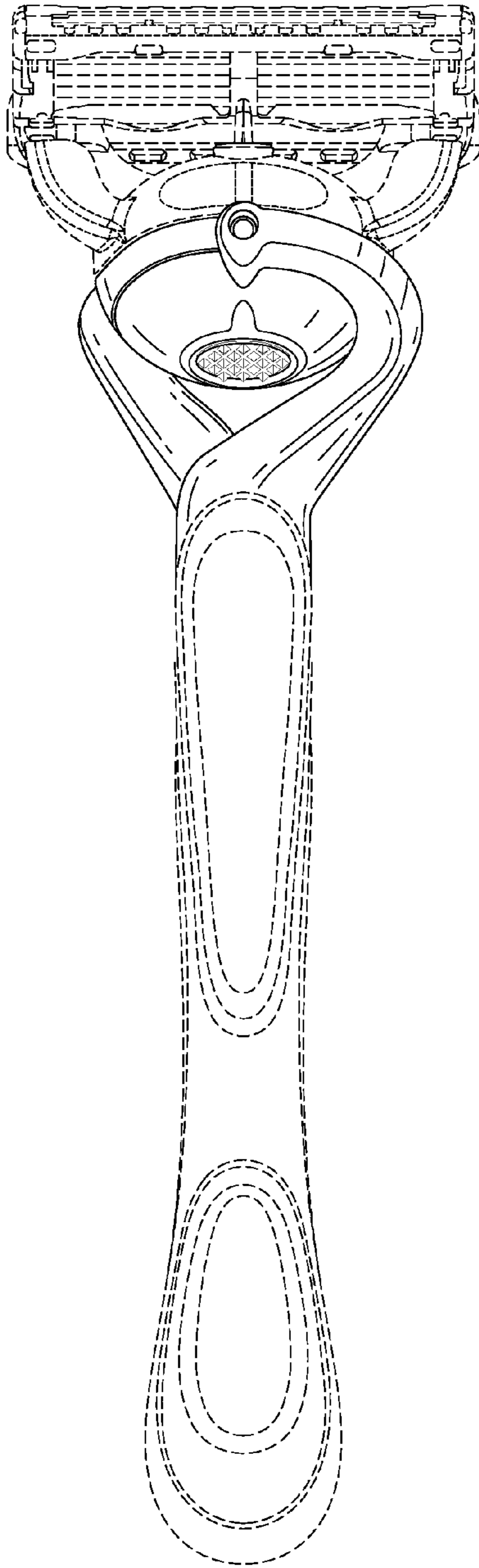


FIG. 2

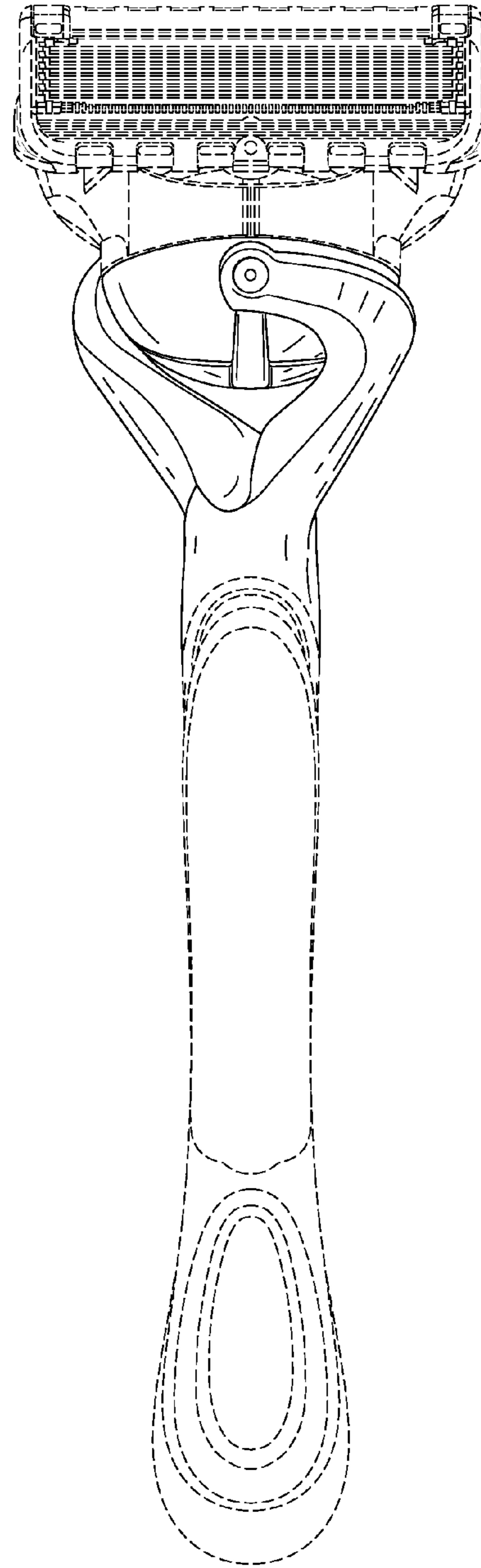


FIG. 3

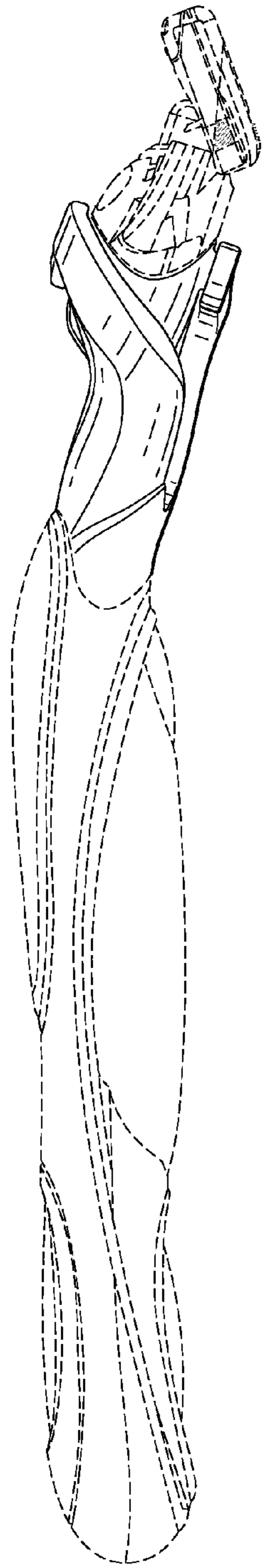


FIG. 4

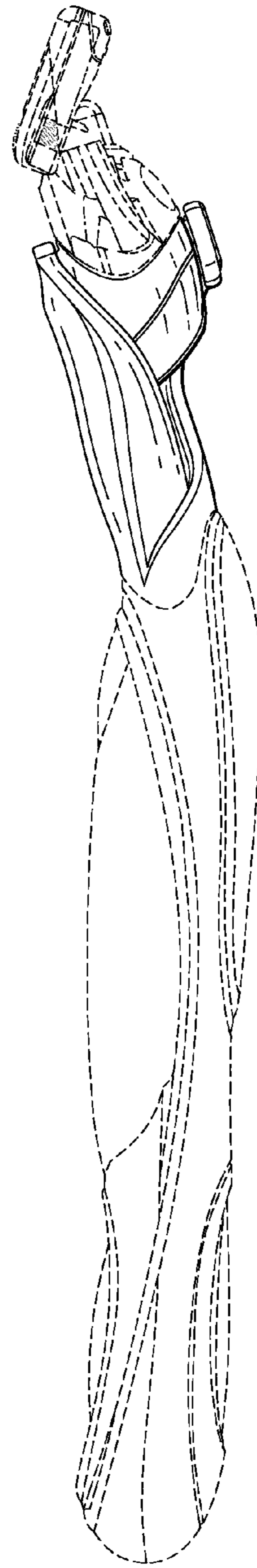


FIG. 5

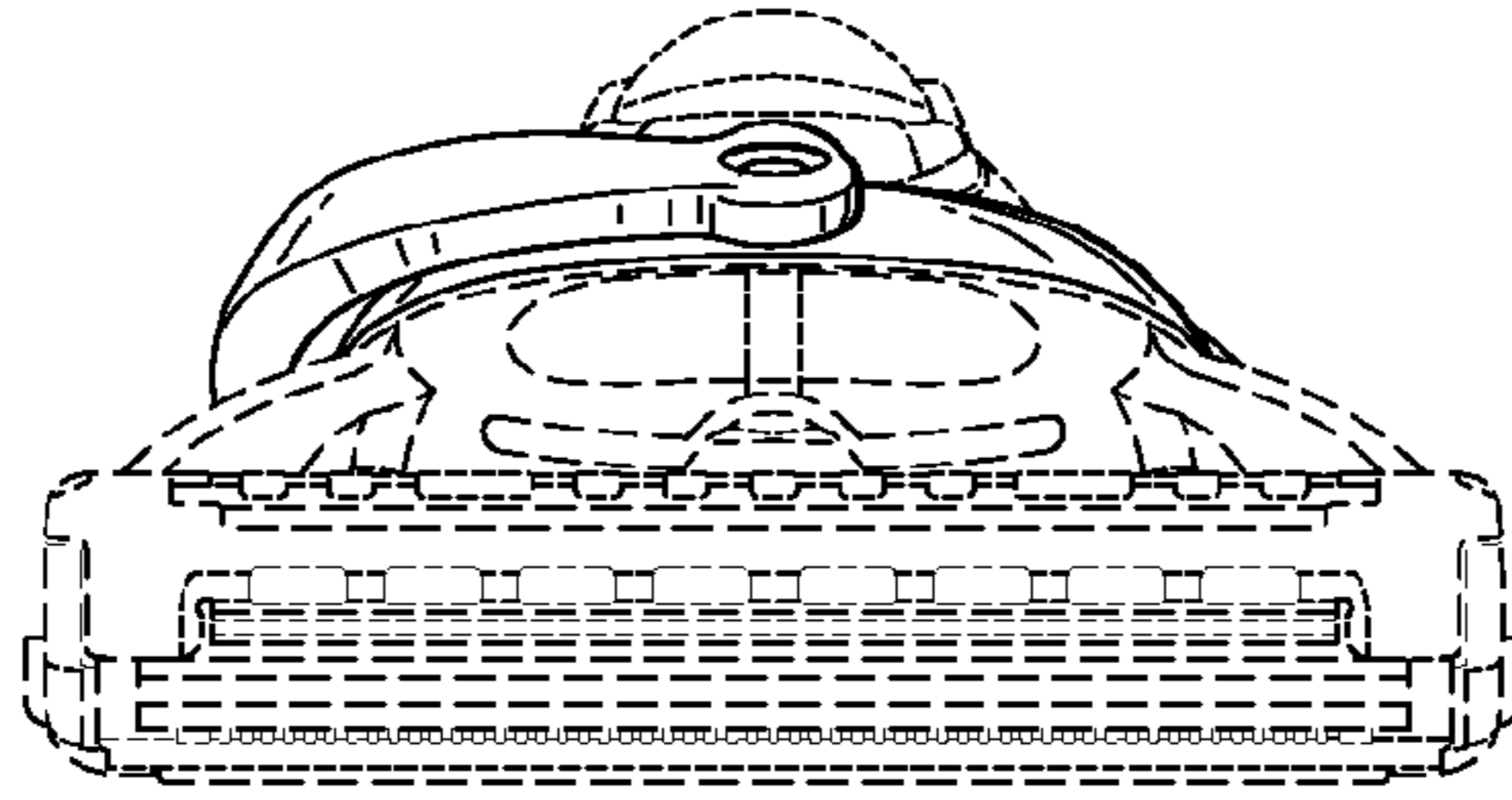


FIG. 6

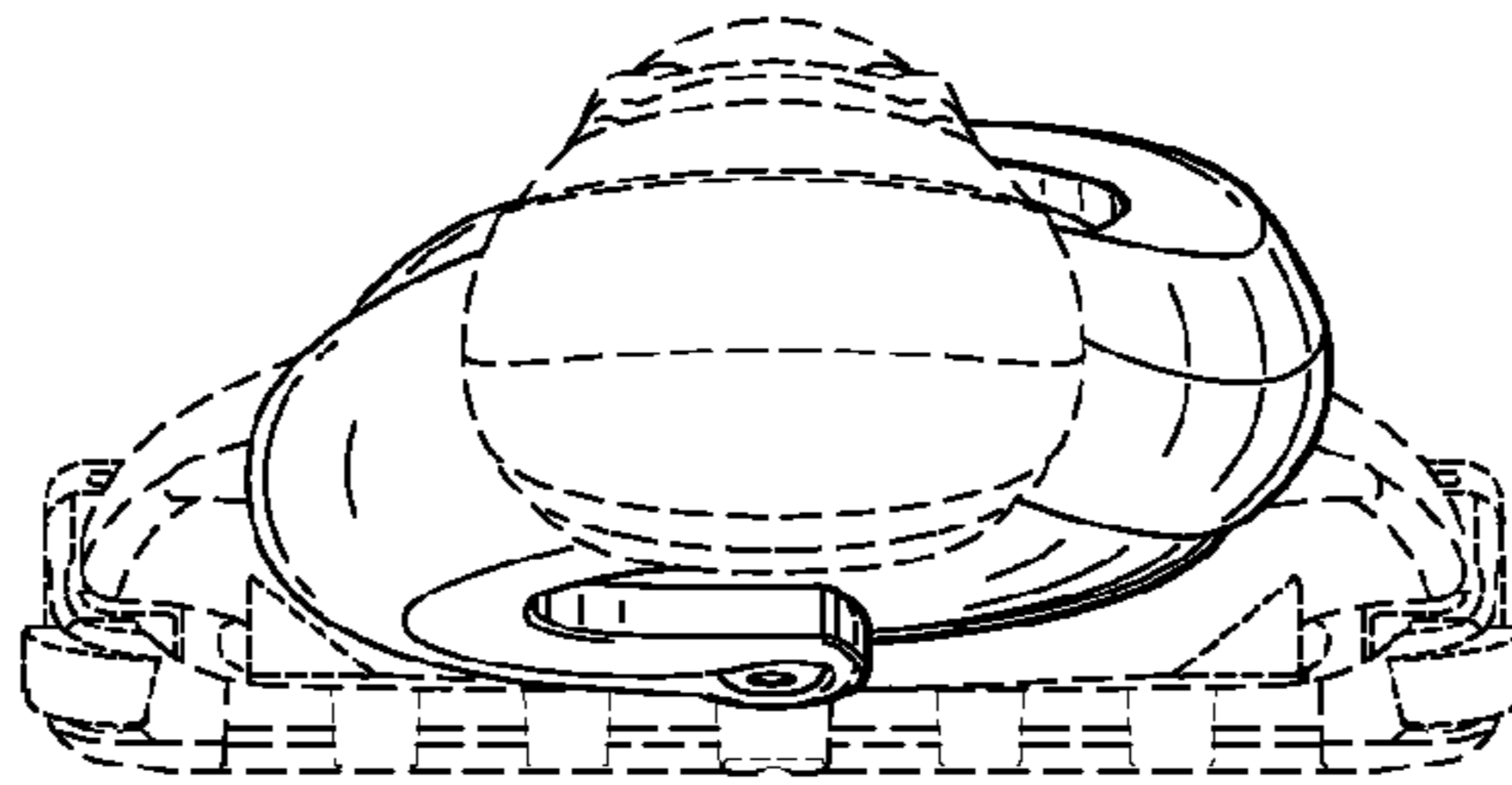


FIG. 7