



US00D641101S

(12) **United States Design Patent**
Radchenko et al.

(10) **Patent No.:** **US D641,101 S**
(45) **Date of Patent:** **** Jul. 5, 2011**

(54) **RECTANGULAR EXTRUSION FOR LIGHTING FIXTURES**

(76) Inventors: **Valeriy Radchenko**, Bergenfield, NJ (US); **Leszek Cyranowicz**, Bergenfield, NJ (US)

(**) Term: **14 Years**

(21) Appl. No.: **29/349,188**

(22) Filed: **Mar. 17, 2010**

(51) **LOC (9) Cl.** **26-99**

(52) **U.S. Cl.** **D26/138**

(58) **Field of Classification Search** D26/2, D26/88, 93, 103, 106, 69, 67, 66, 64, 63, D26/65, 71, 75, 76, 80, 120, 121, 124, 128, D26/118, 138, 142, 122, 113, 154, 156, 90, D26/85, 86, 84, 81, 87; 362/183, 294, 295, 362/249.01–249.11; D13/102, 103, 179, D13/180; D25/127, 129, 38; 361/704; 220/570, 220/695, 756; D9/430, 416, 424, 737; D32/53.1, D32/53, 54; 244/118.5, 118.6; 297/245; D6/356, 491, 492, 519, 580; D23/271, 286, D23/234; D12/345; D8/349, 354, 373
See application file for complete search history.

(56) **References Cited**

U.S. PATENT DOCUMENTS

3,973,756	A *	8/1976	Lauzier	256/21
5,113,329	A *	5/1992	Lin	362/238
5,521,792	A *	5/1996	Pleitz et al.	361/715
6,174,074	B1 *	1/2001	Lahijani	362/264
6,361,186	B1 *	3/2002	Slayden	362/241
6,659,623	B2 *	12/2003	Friend	362/249.06
D494,801	S *	8/2004	Lee	D6/580

7,244,058	B2 *	7/2007	DiPenti et al.	362/547
7,359,203	B2 *	4/2008	Chen	361/714
D595,984	S *	7/2009	Kollman et al.	D6/580
7,654,703	B2 *	2/2010	Kan et al.	362/362
D621,542	S *	8/2010	Klus	D26/138
D623,342	S *	9/2010	Klu	D26/138
D623,343	S *	9/2010	Klus	D26/138
D625,463	S *	10/2010	Klus	D26/138
2007/0285930	A1 *	12/2007	Chen	362/373
2009/0207602	A1 *	8/2009	Reed et al.	362/225
2009/0219713	A1 *	9/2009	Siemiet et al.	362/218

* cited by examiner

Primary Examiner — Cathron Brooks

Assistant Examiner — Kevin K Rudzinski

(74) *Attorney, Agent, or Firm* — Sandra M. Kotin

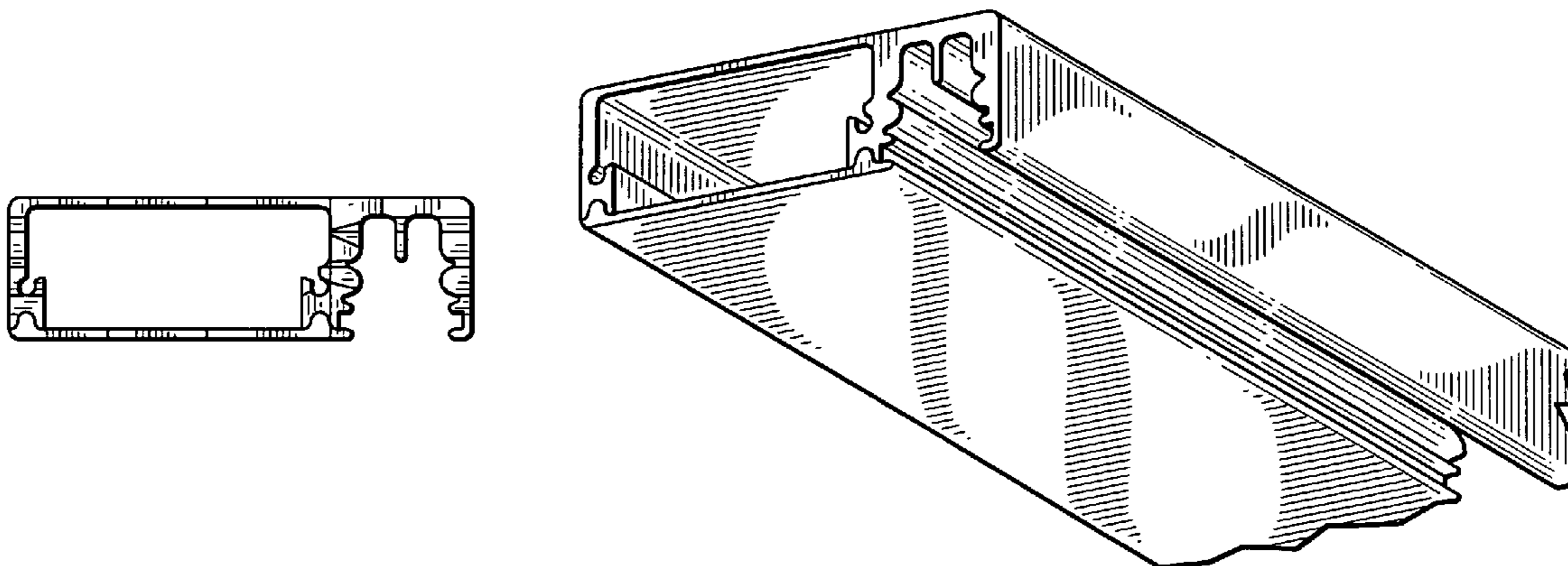
(57) **CLAIM**

The ornamental design for a rectangular extrusion for lighting fixtures, as shown and described.

DESCRIPTION

FIG. 1 is a front elevational view of the rectangular extrusion for lighting fixtures showing our new design; FIG. 2 is a rear elevational view thereof; FIG. 3 is a bottom perspective view thereof, shown in a closed position of use; FIG. 4 is a bottom perspective view thereof, shown in an open position of use; FIG. 5 is a right side elevational view thereof; FIG. 6 is a bottom plan view thereof; FIG. 7 is a left side elevational view thereof; and, FIG. 8 is a top plan view thereof. The rectangular extrusion for lighting fixtures is shown broken away on one end to indicate no specific length.

1 Claim, 2 Drawing Sheets



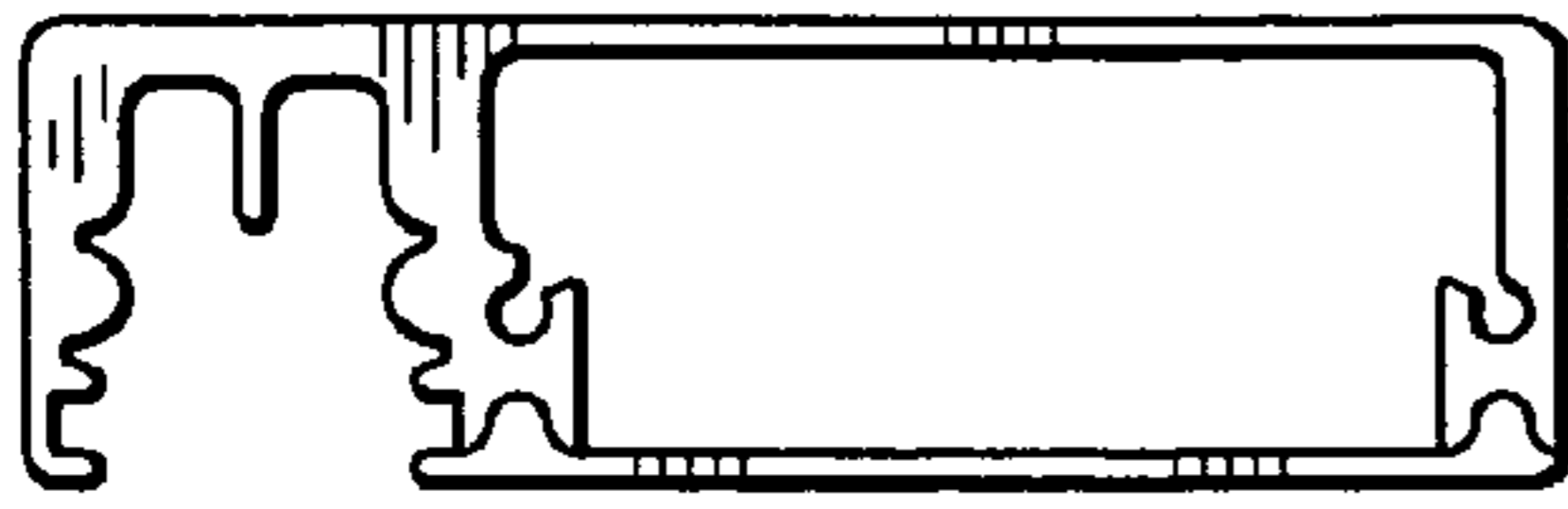


FIG. 1

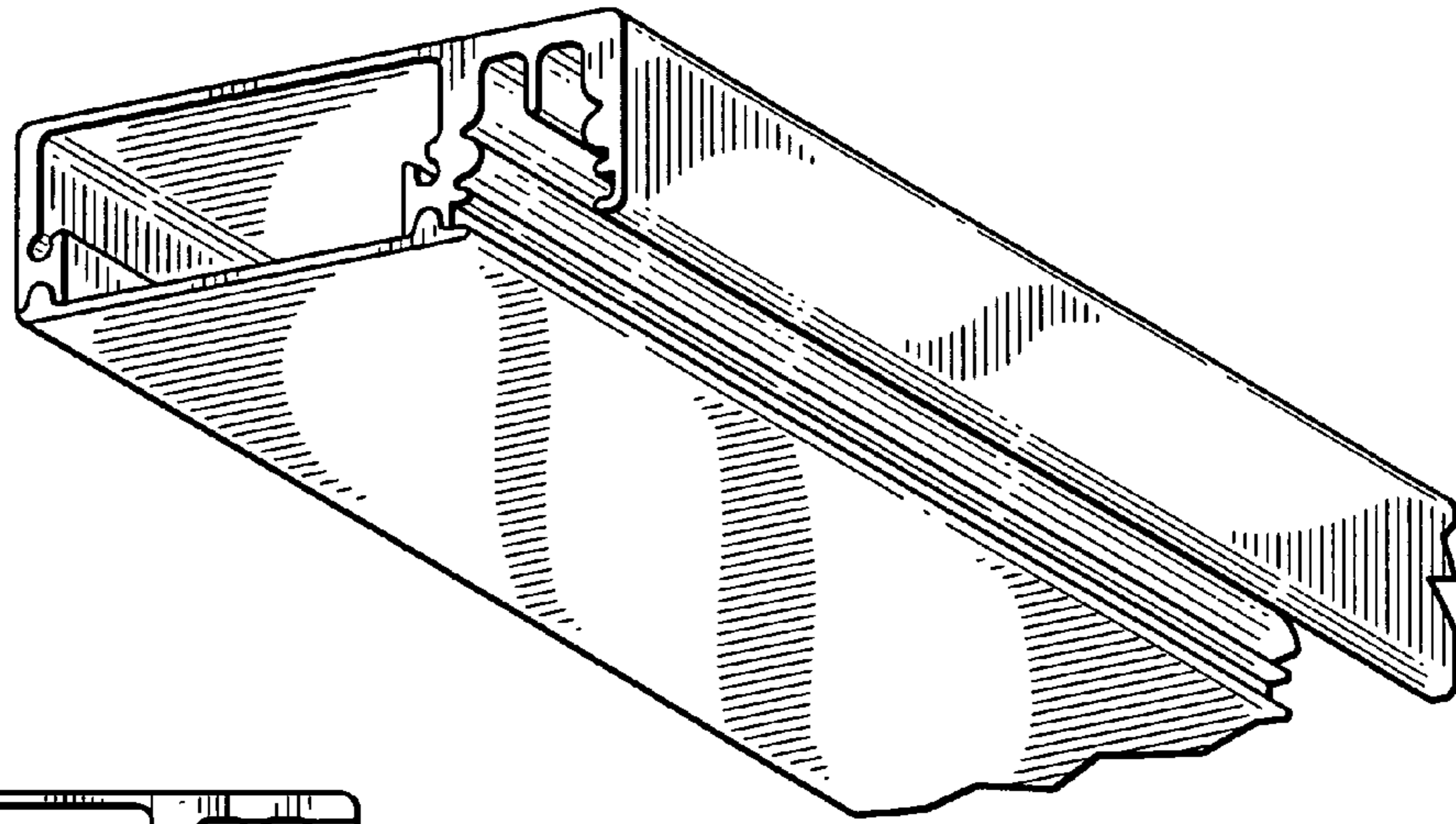


FIG. 3

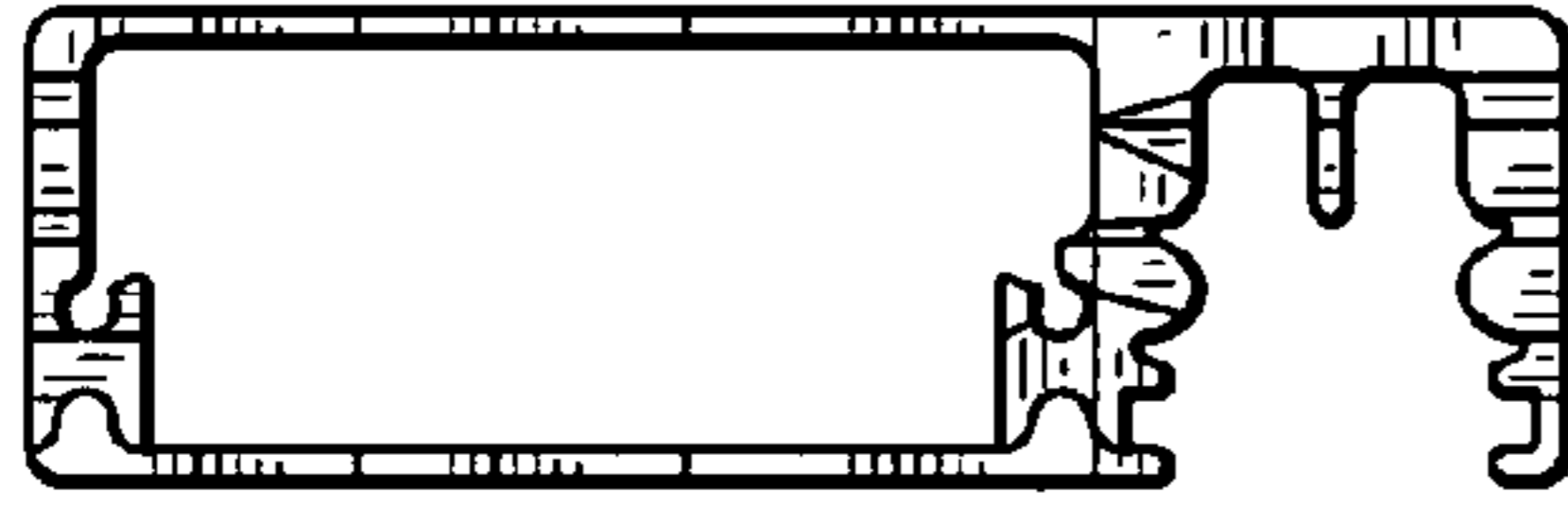


FIG. 2

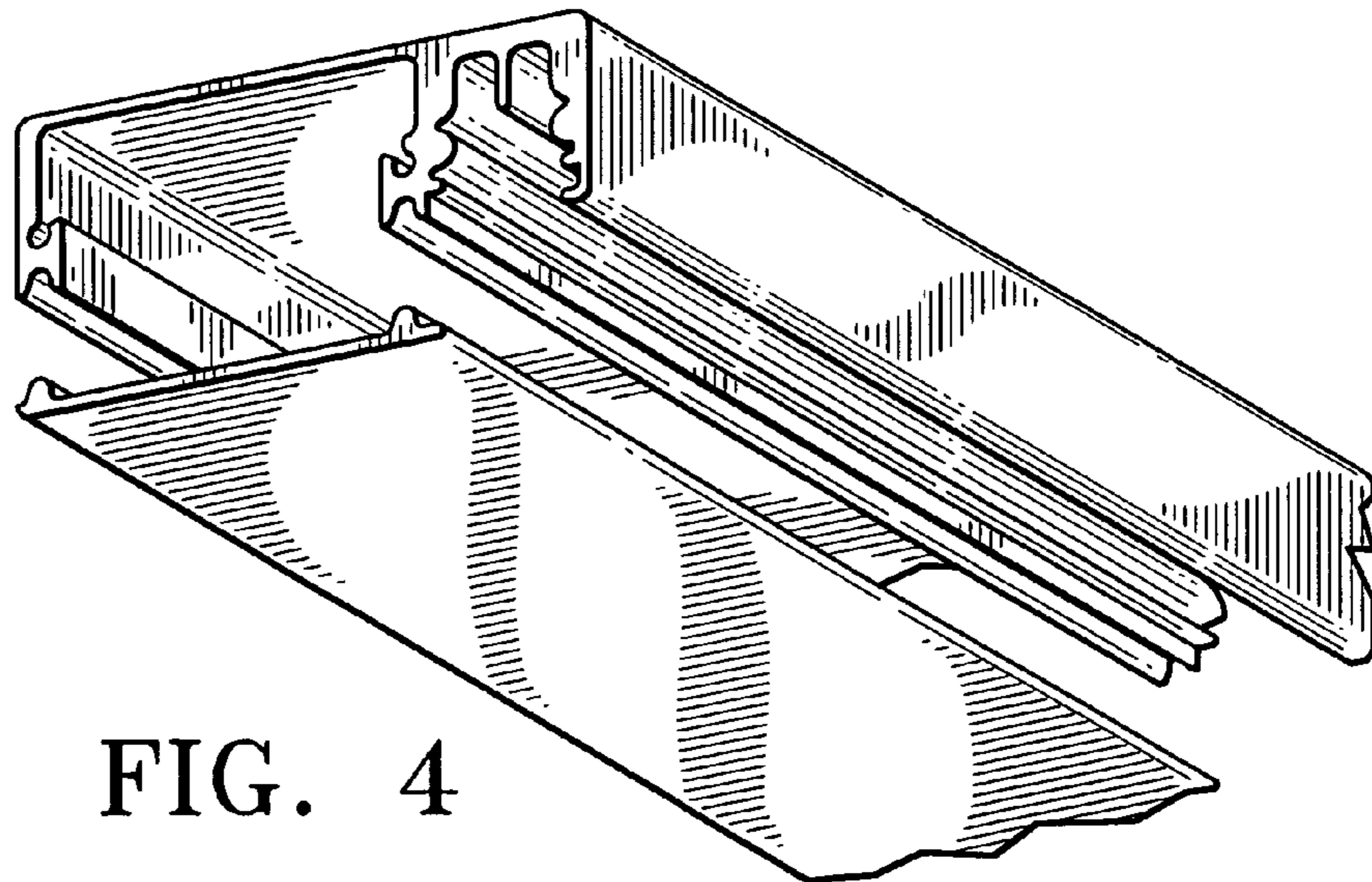


FIG. 4

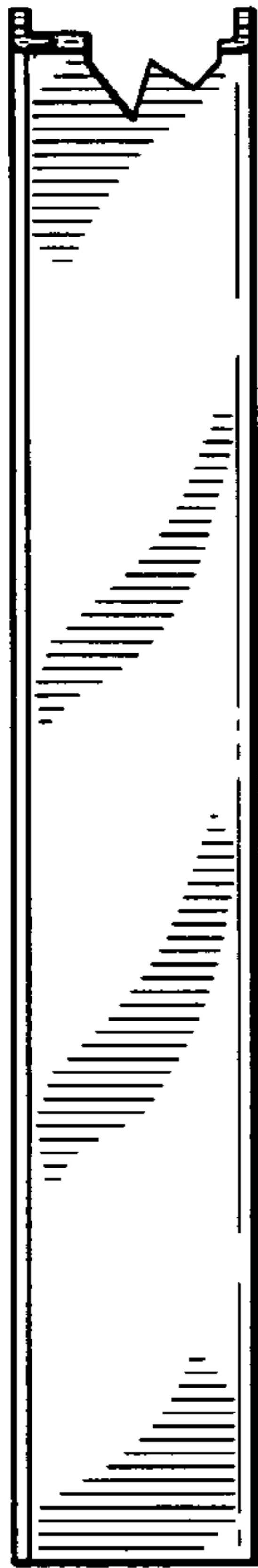


FIG. 5

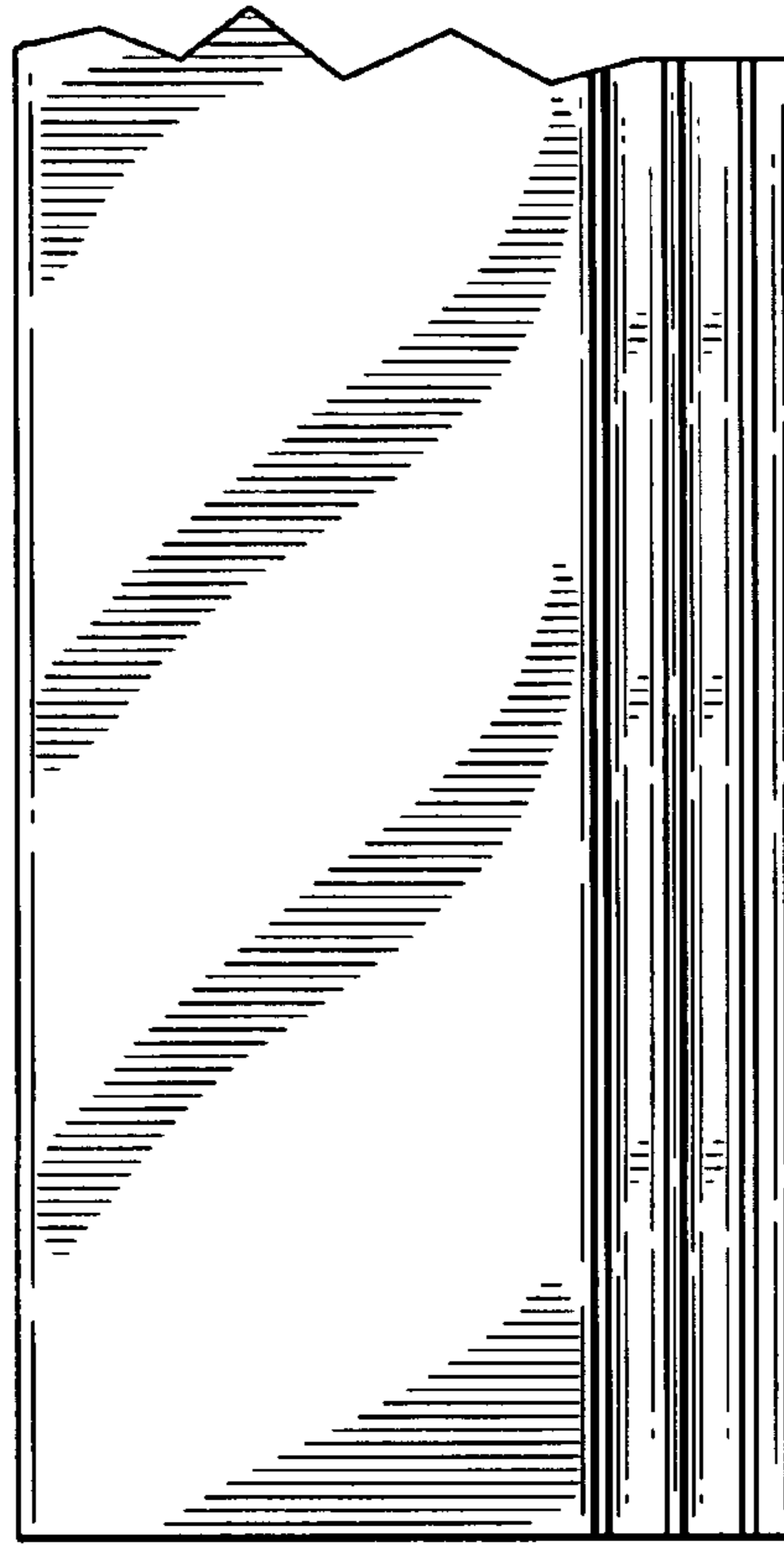


FIG. 6

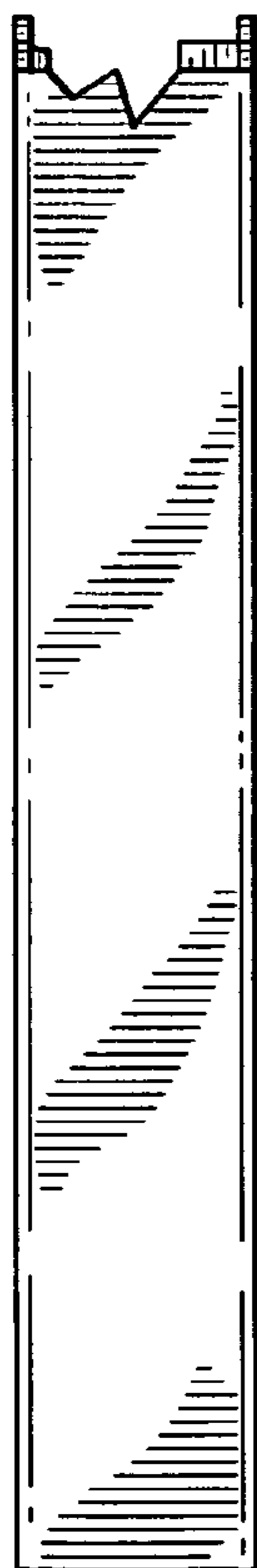


FIG. 7

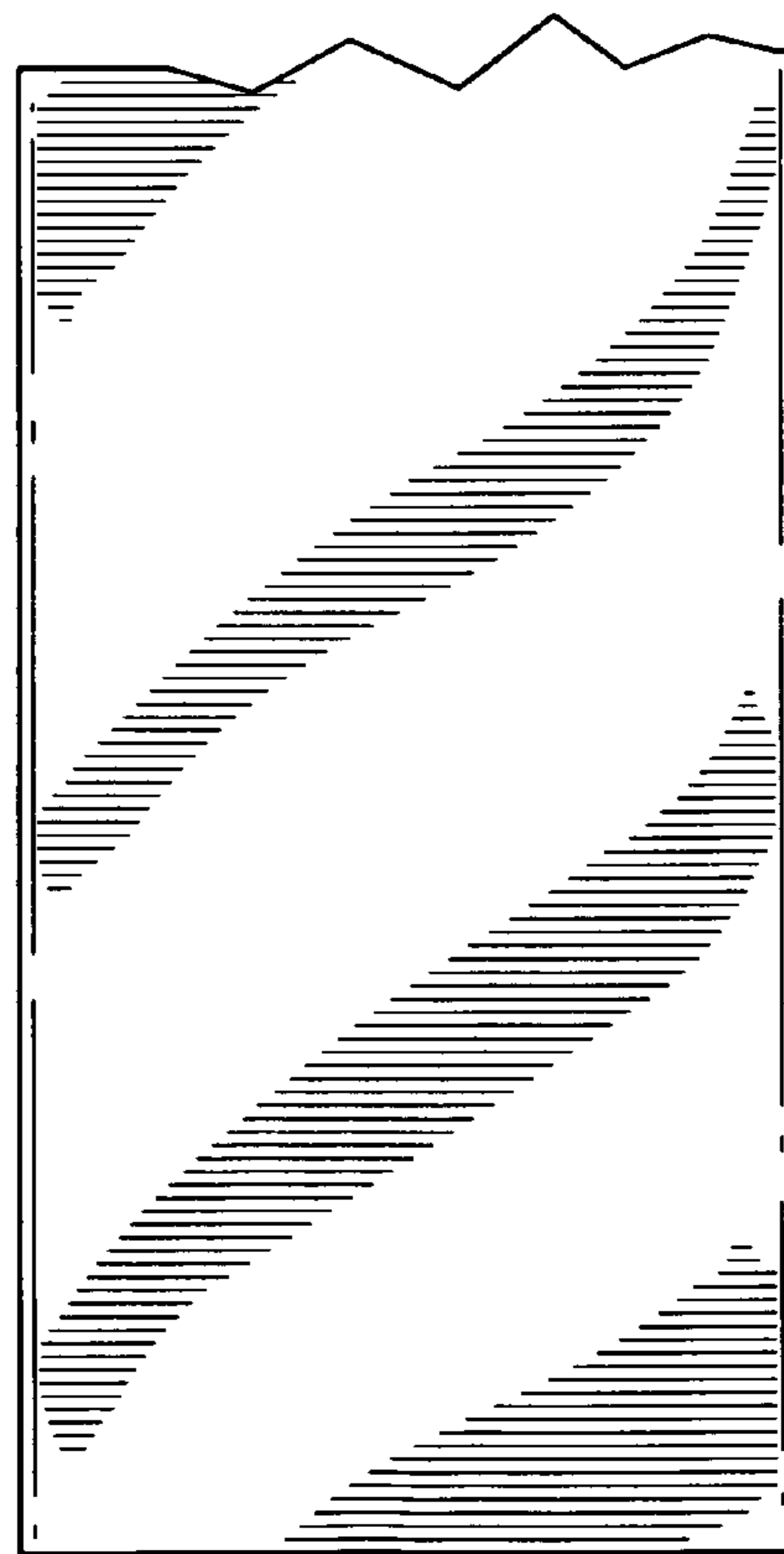


FIG. 8