



US00D641100S

(12) **United States Design Patent**
Li

(10) **Patent No.:** **US D641,100 S**
(45) **Date of Patent:** **** Jul. 5, 2011**

(54) **SOFTBOX**

(75) Inventor: **Shanshan Li**, Shenzhen (CN)

(73) Assignee: **Shanshan Li**, Shenzhen (CN)

(**) Term: **14 Years**

(21) Appl. No.: **29/382,345**

(22) Filed: **Jan. 3, 2011**

(30) **Foreign Application Priority Data**

Jul. 8, 2010 (CN) 2010 3 0233893

(51) **LOC (9) Cl.** **26-99**

(52) **U.S. Cl.** **D26/118**

(58) **Field of Classification Search** D26/125,
D26/49, 46, 37, 118, 71, 92, 85, 87, 128,
D26/63, 65, 88, 76, 120, 113, 119, 138, 2,
D26/67, 72, 93, 123, 129, 130, 24, 107, 108,
D26/62, 109, 51, 127, 122, 131, 140, 141,
D26/142, 143, 144, 145, 58, 60, 68; 362/101,
362/34, 346, 223, 294, 549, 109, 190, 192,
362/249.01-249.11, 98, 99, 16, 17, 18, 19;
D13/179, 180; D23/411; 424/401, 402,
424/403, 404, 405; D8/353; 248/158, 122.1;
D25/124; D16/135, 131, 244, 136; D15/90;
359/801, 802, 807, 812; 119/245, 246, 247,
119/253, 256, 266

See application file for complete search history.

(56) **References Cited**

U.S. PATENT DOCUMENTS

D91,915 S *	4/1934	Wise	D26/71
D204,302 S *	4/1966	Pauli	D26/24
D209,081 S *	10/1967	Netland	D26/71
4,616,293 A *	10/1986	Baliozian	362/7
4,757,425 A *	7/1988	Waltz	362/18
D312,471 S *	11/1990	Couch	D16/239
5,023,756 A *	6/1991	Regester	362/16
D329,104 S *	9/1992	Dieperink	D26/87
5,154,503 A *	10/1992	Sternsher	362/16
5,311,409 A *	5/1994	King	362/17
D373,132 S *	8/1996	Baillie-Hamilton et al.	D16/237

D399,862 S *	10/1998	Baliozian	D16/219
5,839,006 A *	11/1998	Beckerman	396/174
6,411,778 B1 *	6/2002	Peterson	396/1
6,733,145 B2 *	5/2004	Shirilla	362/16
D501,947 S *	2/2005	Haugaard et al.	D26/71
D522,680 S *	6/2006	Stephant	D26/65
D527,134 S *	8/2006	Bagen	D26/71
D565,229 S *	3/2008	Haugaard et al.	D26/72
D570,516 S *	6/2008	Orellana	D26/71
D588,292 S *	3/2009	Sabernig	D26/71
7,773,869 B2 *	8/2010	Zou	396/14
7,810,941 B2 *	10/2010	Capozzi	362/17
2008/0181598 A1 *	7/2008	Kobre	396/174
2008/0204883 A1 *	8/2008	Fong	359/599

* cited by examiner

Primary Examiner — Cathron Brooks

Assistant Examiner — Kevin Rudzinski

(57) **CLAIM**

The ornamental design for a softbox, as shown and described.

DESCRIPTION

FIG. 1 is a view of the right side of the first embodiment of the softbox.

FIG. 2 is a view of the left side of the first embodiment of the softbox.

FIG. 3 is a view of the back side of the first embodiment of the softbox.

FIG. 4 is a view of the front side of the first embodiment of the softbox.

FIG. 5 is a view of the top side of the first embodiment of the softbox.

FIG. 6 is a view of the bottom side of the first embodiment of the softbox.

FIG. 7 is a perspective view at an angle of the top of the right side of the first embodiment of the softbox.

FIG. 8 is a perspective view at an angle of the front of the bottom side of the first embodiment of the softbox.

FIG. 9 is a perspective view at an angle of the back of the right side of the first embodiment of the softbox.

FIG. 10 is a view of the right side of the second embodiment of the softbox.

FIG. 11 is a view of the left side of the second embodiment of the softbox.

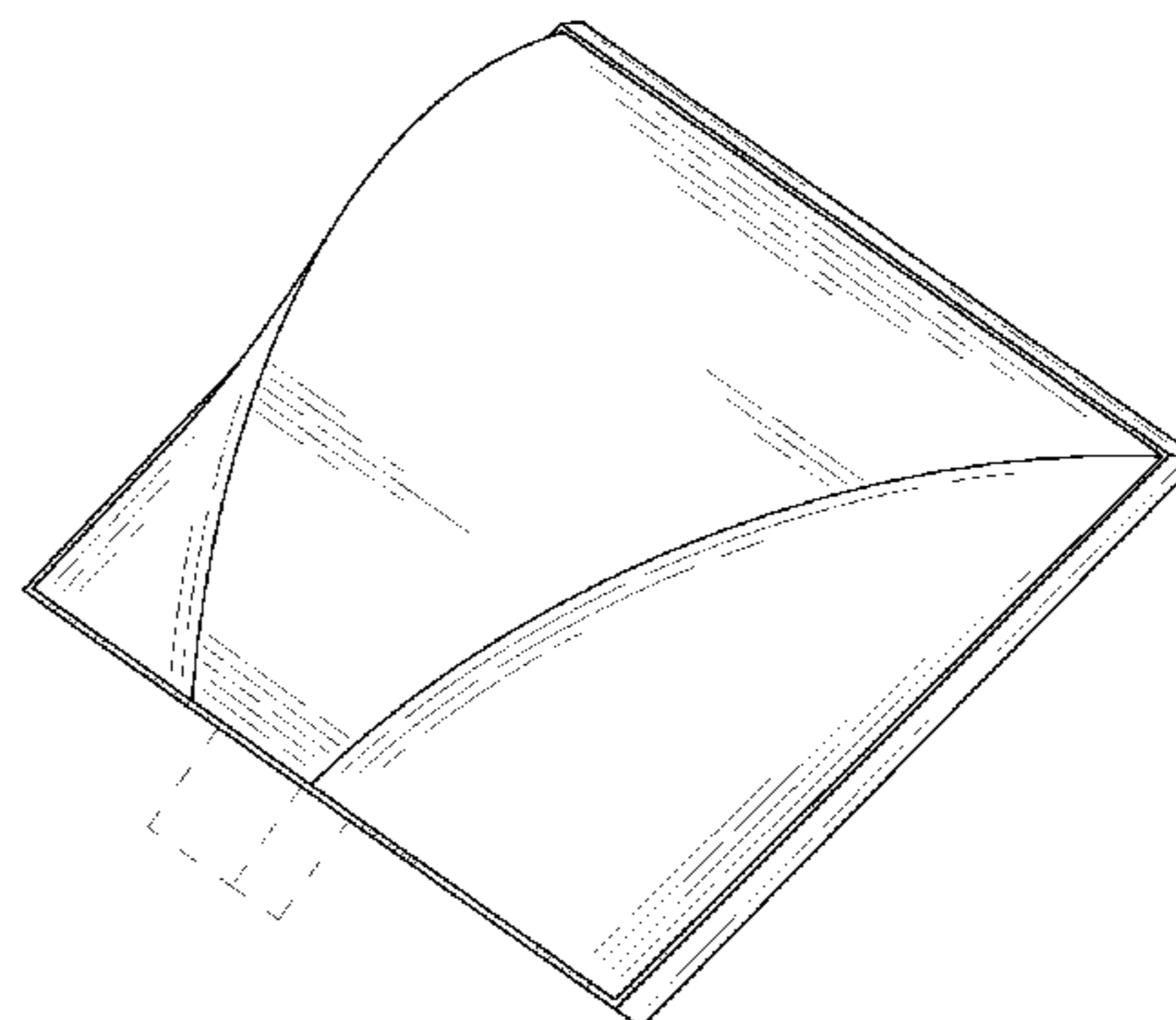
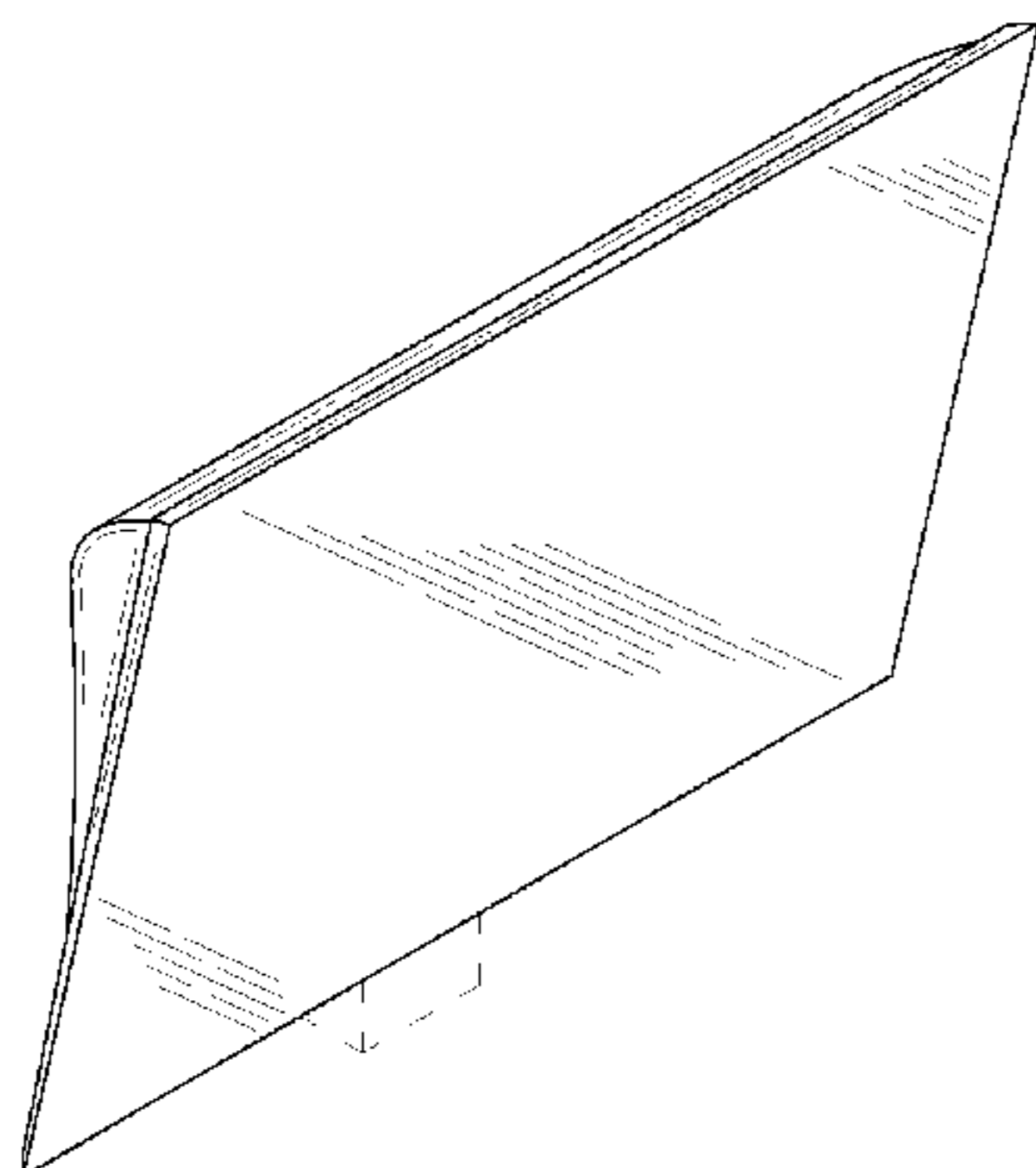


FIG. 12 is a view of the back side of the second embodiment of the softbox.

FIG. 13 is a view of the front side of the second embodiment of the softbox.

FIG. 14 is a view of the top side of the second embodiment of the softbox.

FIG. 15 is a view of the bottom side of the second embodiment of the softbox.

FIG. 16 is a perspective view at an angle of the top of the right side of the second embodiment of the softbox.

FIG. 17 is a perspective view at an angle of the front of the bottom side of the second embodiment of the softbox.

FIG. 18 is a perspective view at an angle of the back of the right side of the second embodiment of the softbox.

FIG. 19 is a view of the right side of the third embodiment of the softbox.

FIG. 20 is a view of the left side of the third embodiment of the softbox.

FIG. 21 is a view of the back side of the third embodiment of the softbox.

FIG. 22 is a view of the front side of the third embodiment of the softbox.

FIG. 23 is a view of the top side of the third embodiment of the softbox.

FIG. 24 is a view of the bottom side of the third embodiment of the softbox.

FIG. 25 is a perspective view at an angle of the top of the right side of the third embodiment of the softbox.

FIG. 26 is a perspective view at an angle of the front of the bottom side of the third embodiment of the softbox.

FIG. 27 is a perspective view at an angle of the back of the right side of the third embodiment of the softbox.

FIG. 28 is a view of the right side of the fourth embodiment of the softbox.

FIG. 29 is a view of the left side of the fourth embodiment of the softbox.

FIG. 30 is a view of the back side of the fourth embodiment of the softbox.

FIG. 31 is a view of the front side of the fourth embodiment of the softbox.

FIG. 32 is a view of the top side of the fourth embodiment of the softbox.

FIG. 33 is a view of the bottom side of the fourth embodiment of the softbox.

FIG. 34 is a perspective view at an angle of the top of the right side of the fourth embodiment of the softbox.

FIG. 35 is a perspective view at an angle of the front of the bottom side of the fourth embodiment of the softbox.

FIG. 36 is a perspective view at an angle of the back of the right side of the fourth embodiment of the softbox.

FIG. 37 is a view of the right side of the fifth embodiment of the softbox.

FIG. 38 is a view of the left side of the fifth embodiment of the softbox.

FIG. 39 is a view of the back side of the fifth embodiment of the softbox.

FIG. 40 is a view of the front side of the fifth embodiment of the softbox.

FIG. 41 is a view of the top side of the fifth embodiment of the softbox.

FIG. 42 is a view of the bottom side of the fifth embodiment of the softbox.

FIG. 43 is a perspective view at an angle at an angle of the top of the right side of the fifth embodiment of the softbox.

FIG. 44 is a perspective view at an angle of the front of the bottom side of the fifth embodiment of the softbox; and,

FIG. 45 is a perspective view at an angle of the back of the right side of the fifth embodiment of the softbox.

The portions of the softbox drawn in phantom (using dashed lines) are not part of the design being claimed, and only indicate the environment of the claimed design of the softbox.

A softbox is a fabric reflector that attaches to studio lighting via a connector to create soft lighting by diffusing a lamp (include the strobe flash or the LED light or the fluorescent lamp).

1 Claim, 25 Drawing Sheets

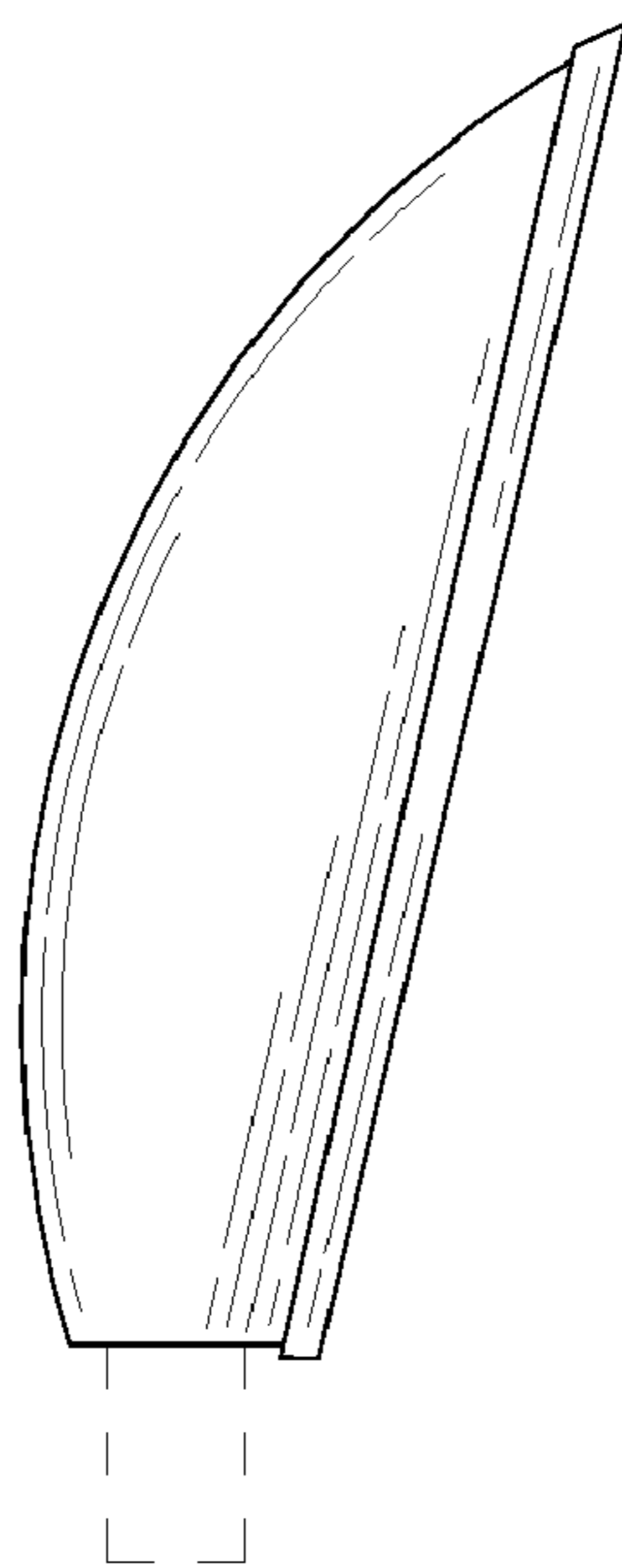


FIG. 1



FIG. 2

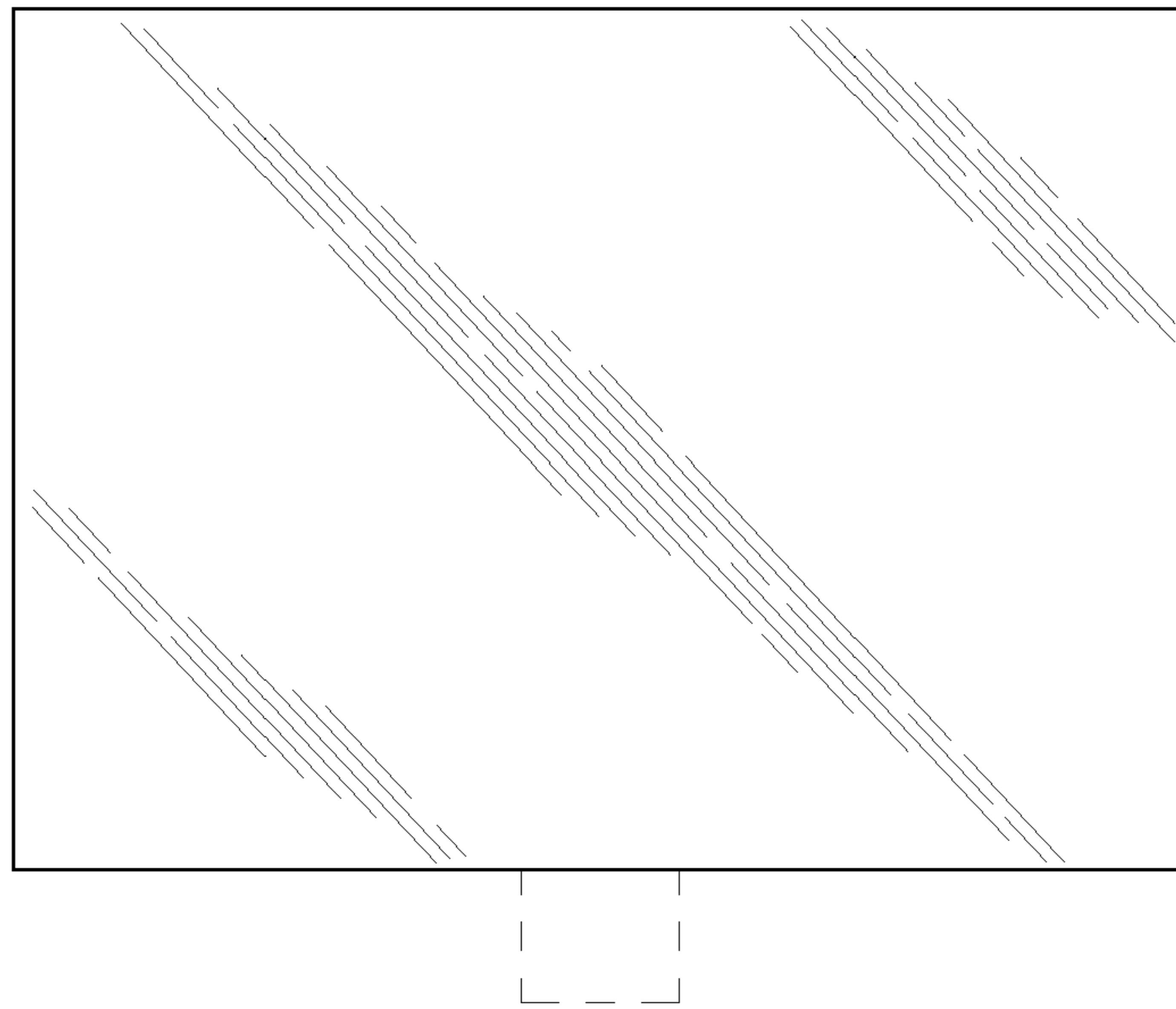


FIG. 3

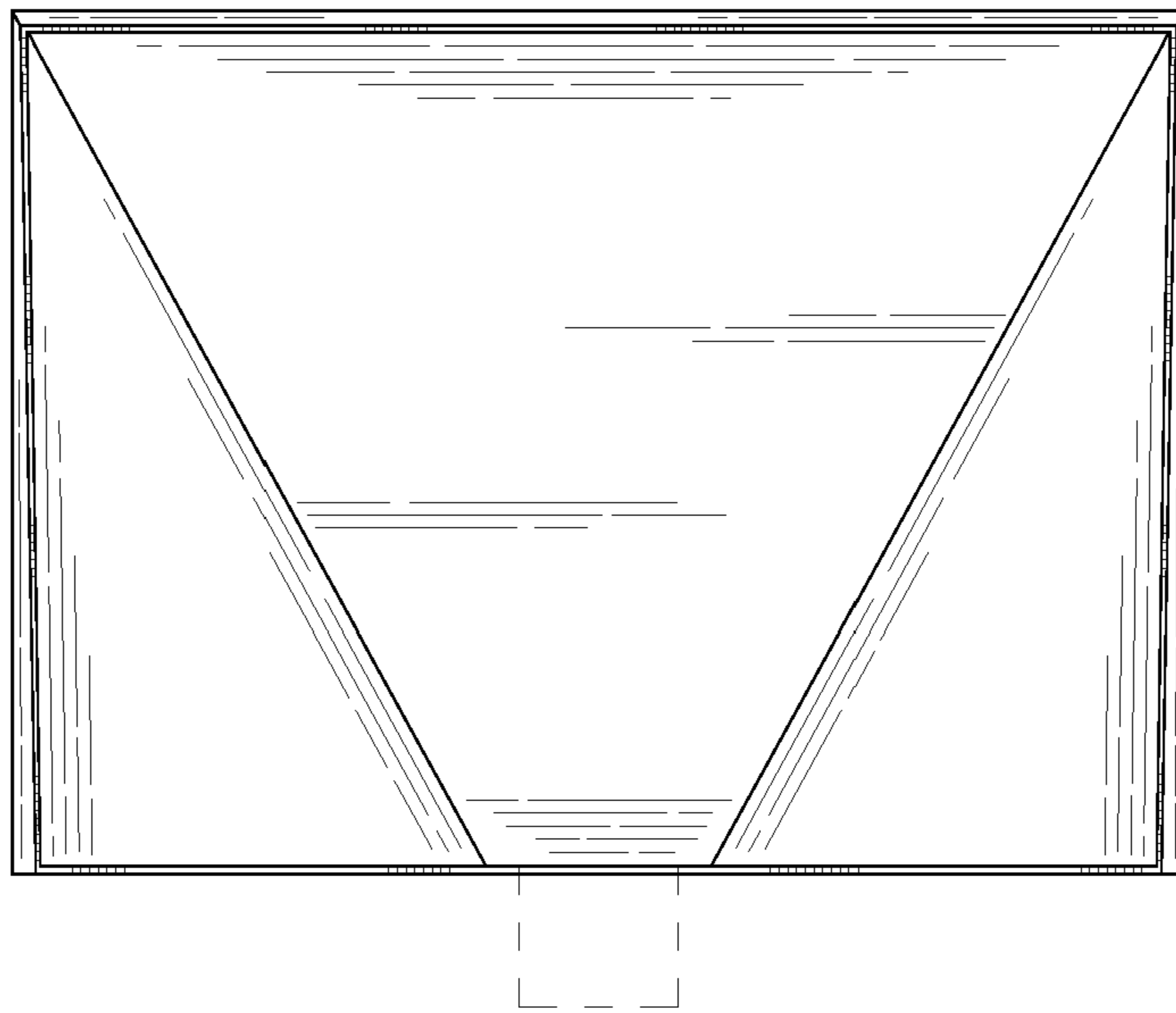


FIG. 4



FIG. 5

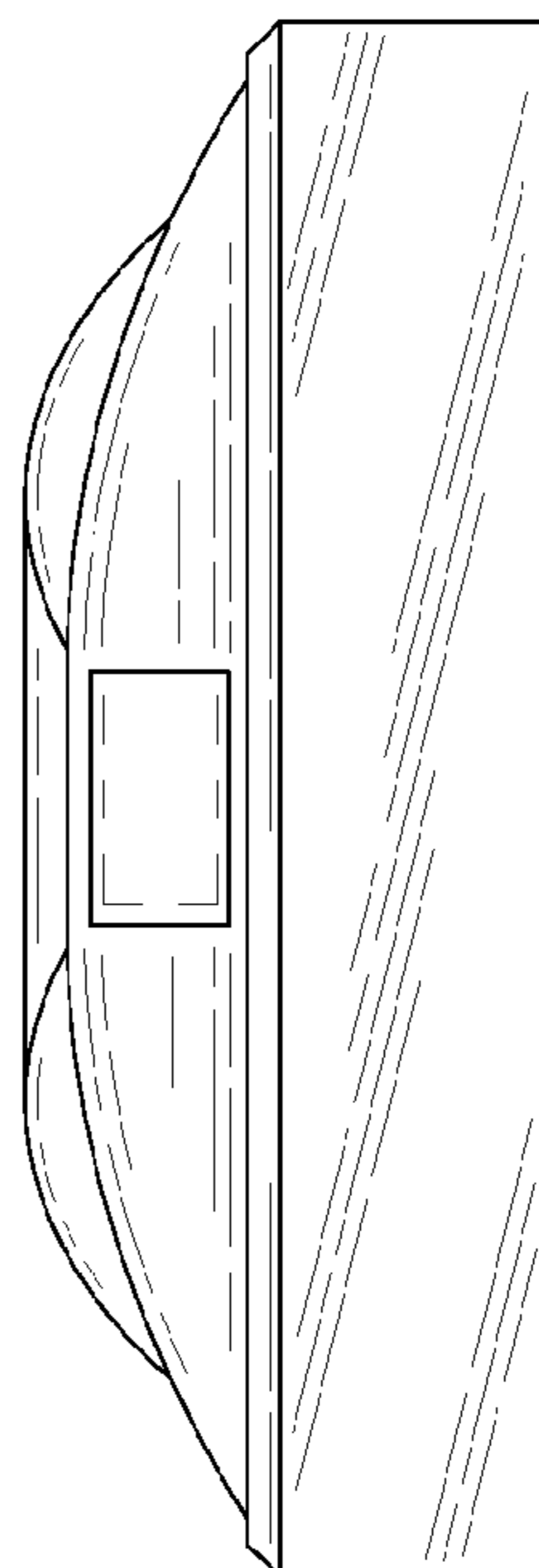


FIG. 6

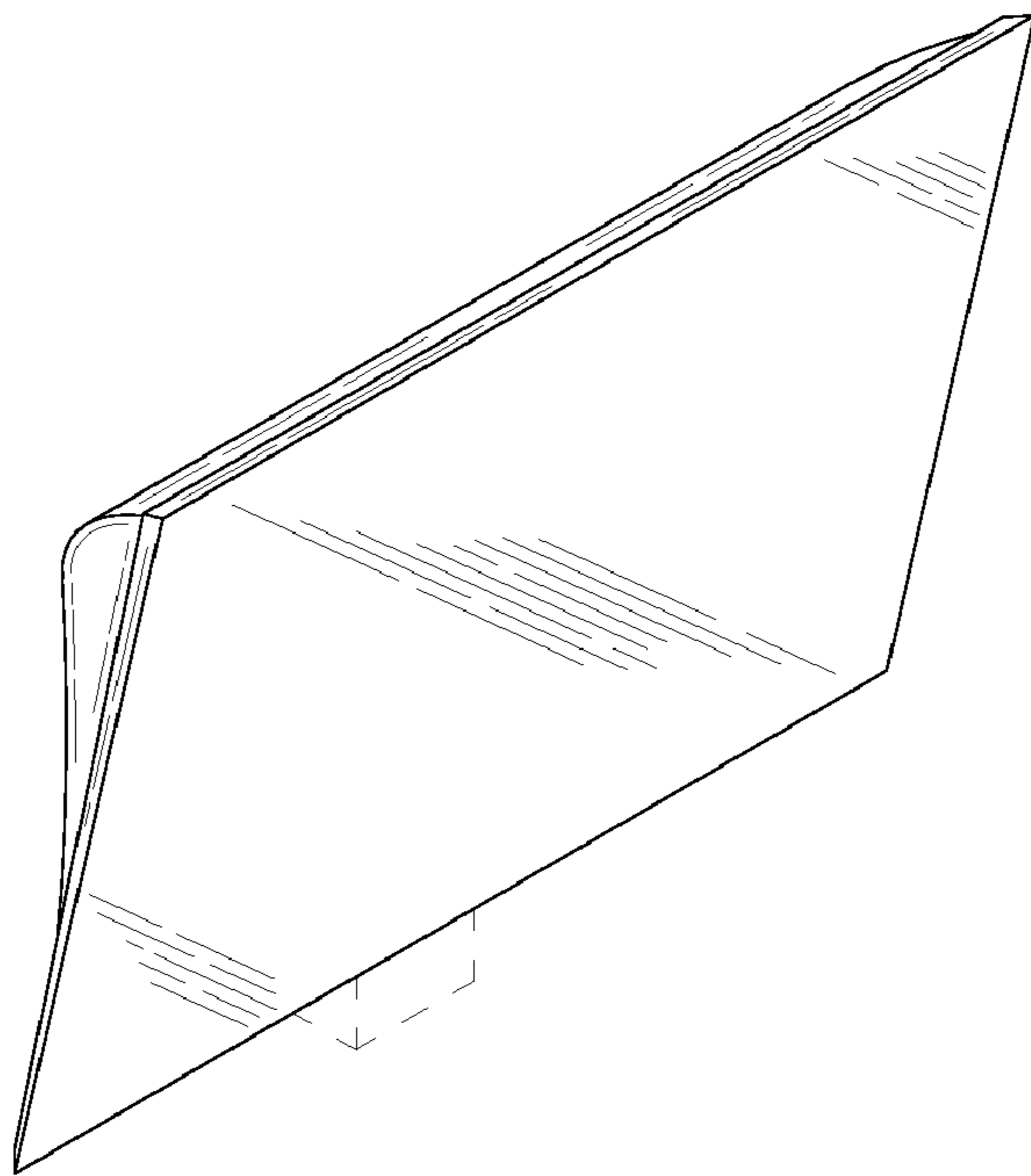


FIG. 7

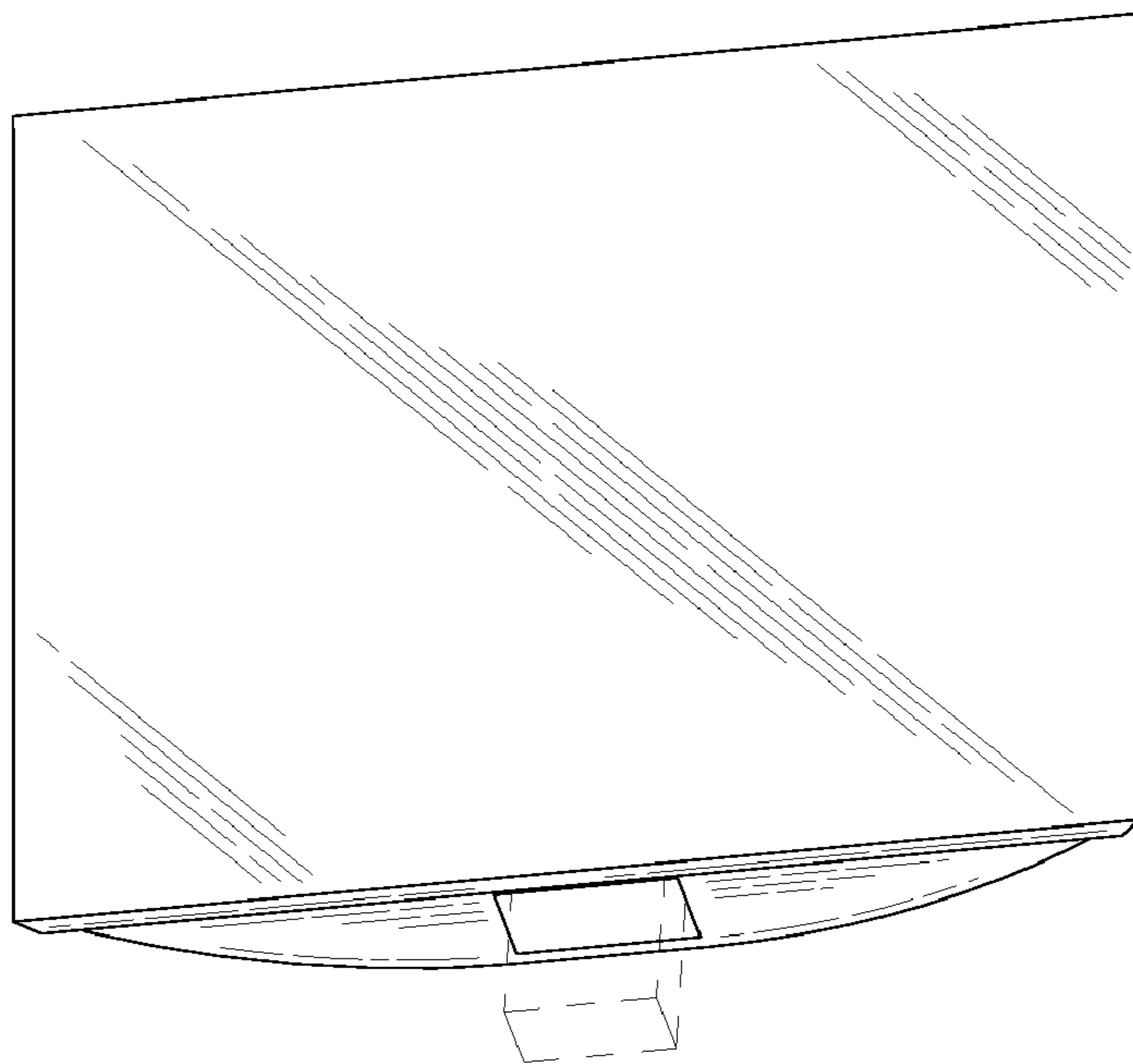


FIG. 8

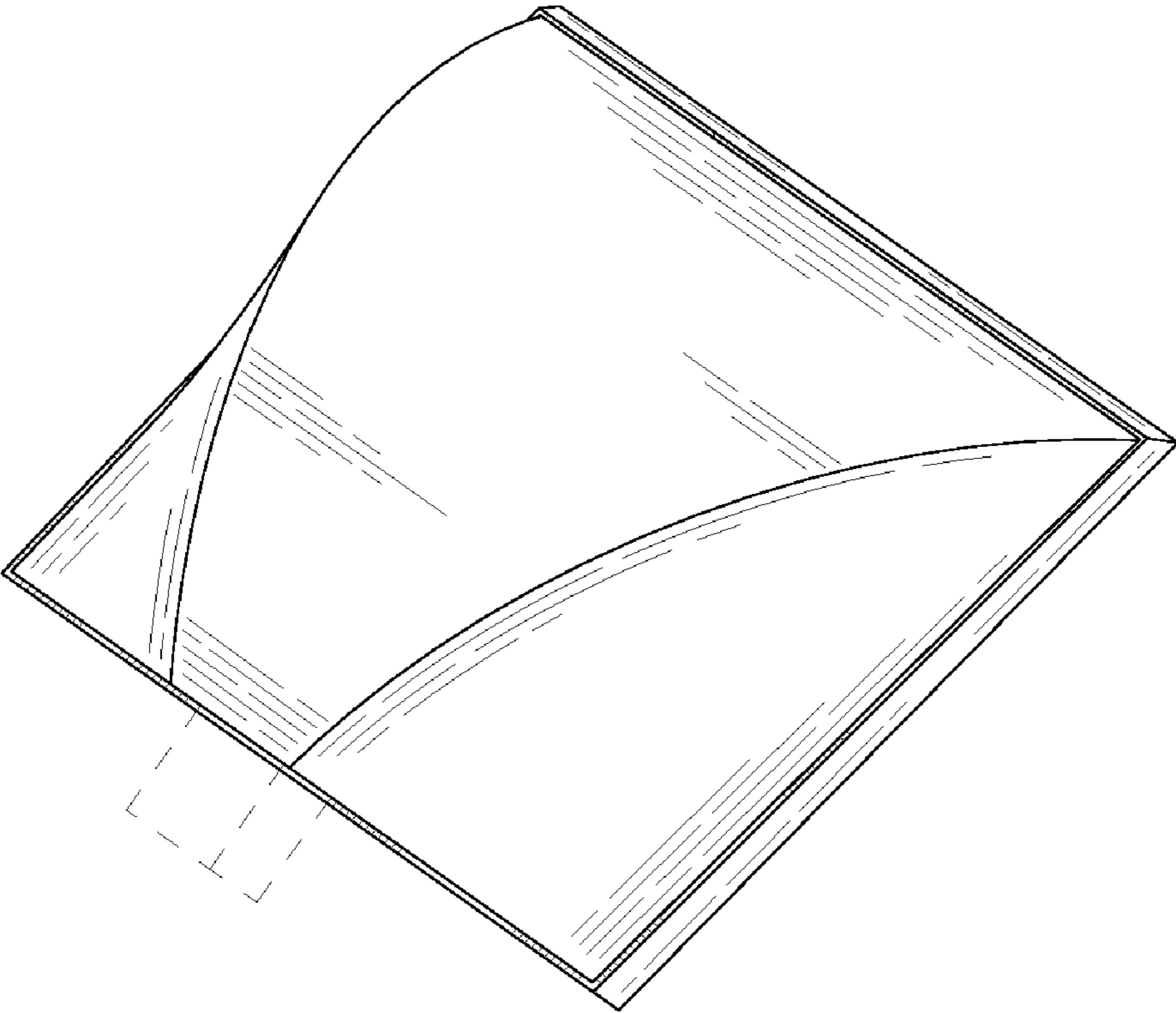


FIG. 9

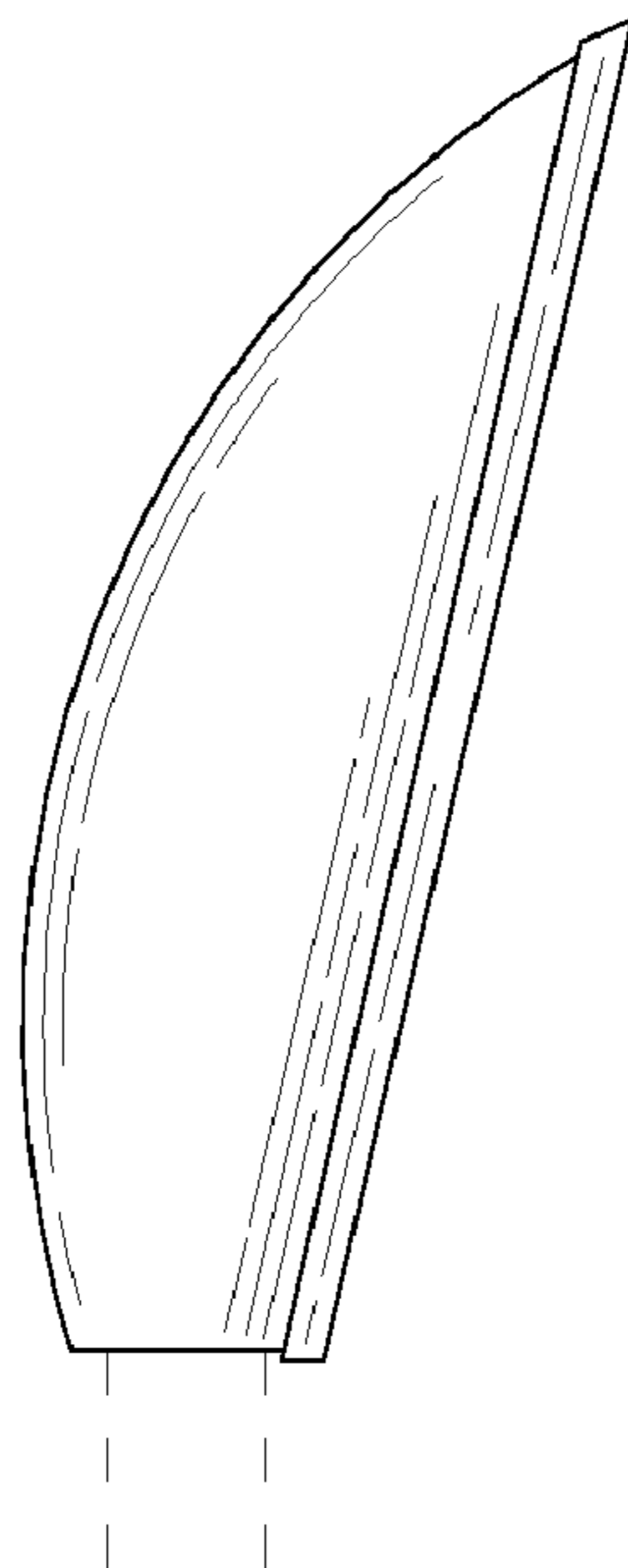


FIG. 10



FIG. 11

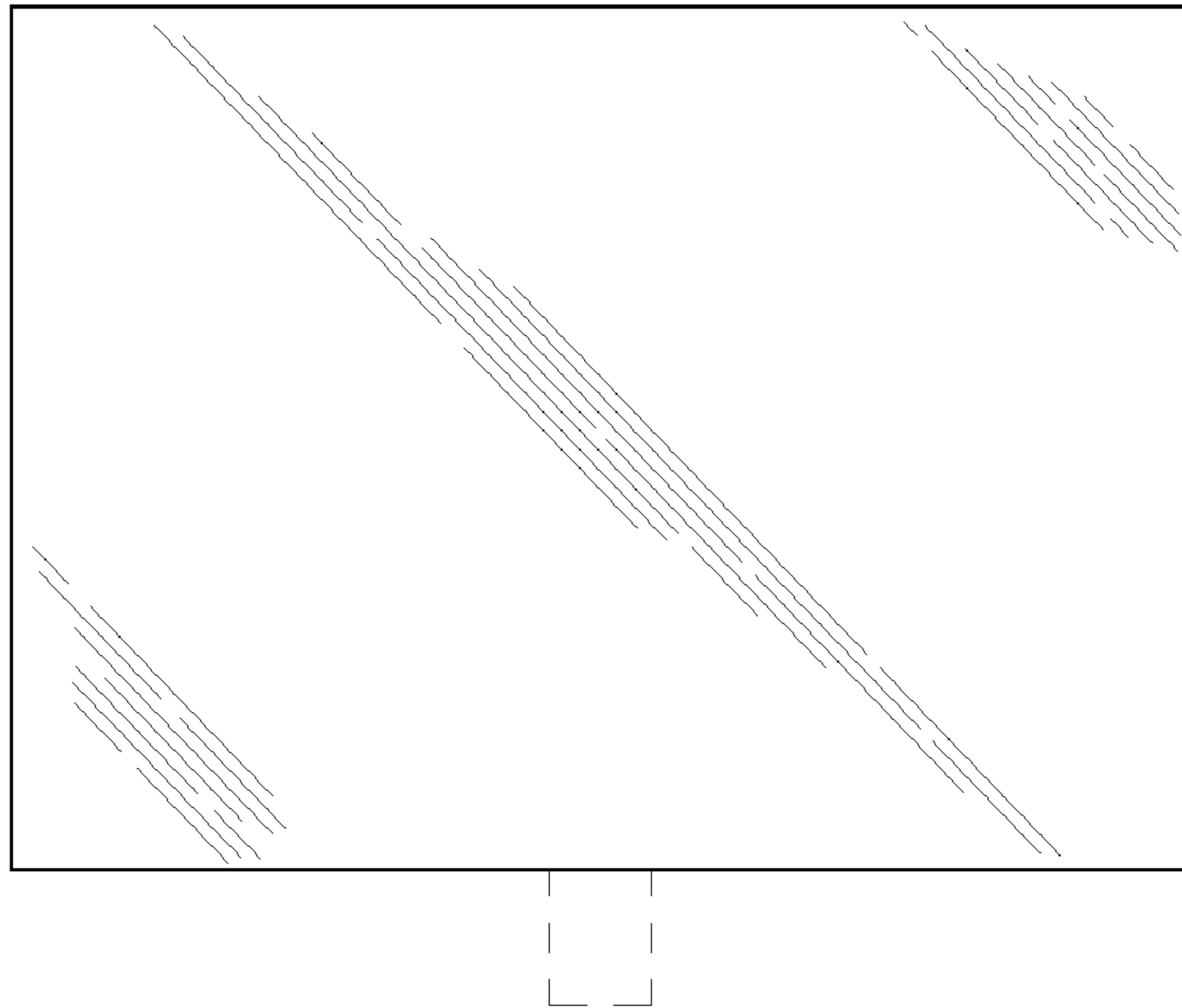


FIG. 12

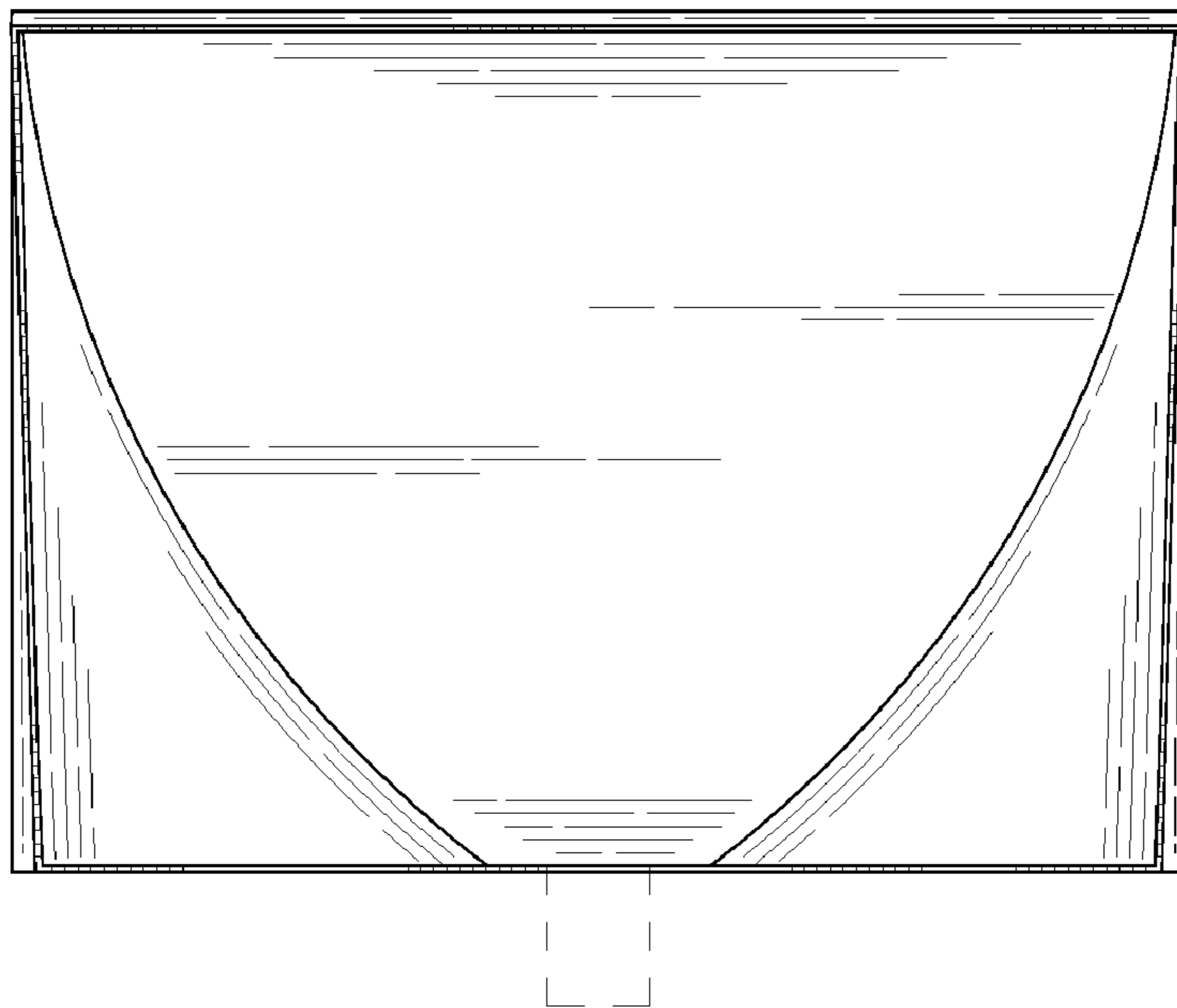


FIG. 13

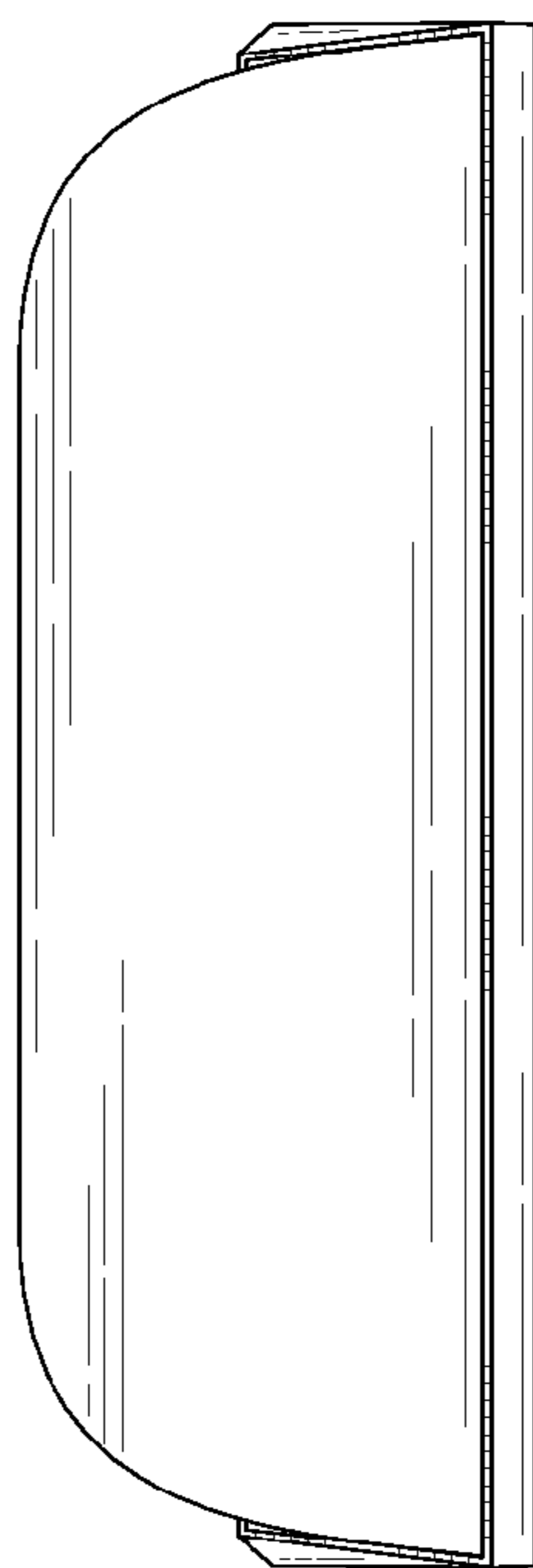


FIG. 14

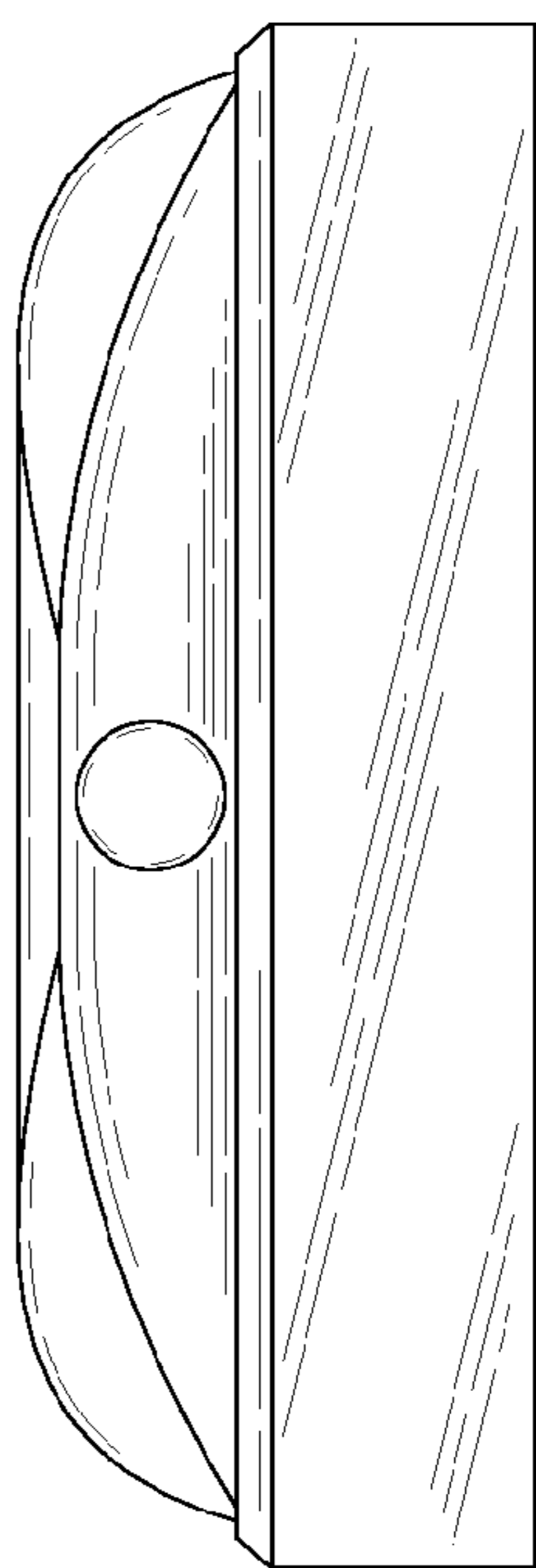


FIG. 15

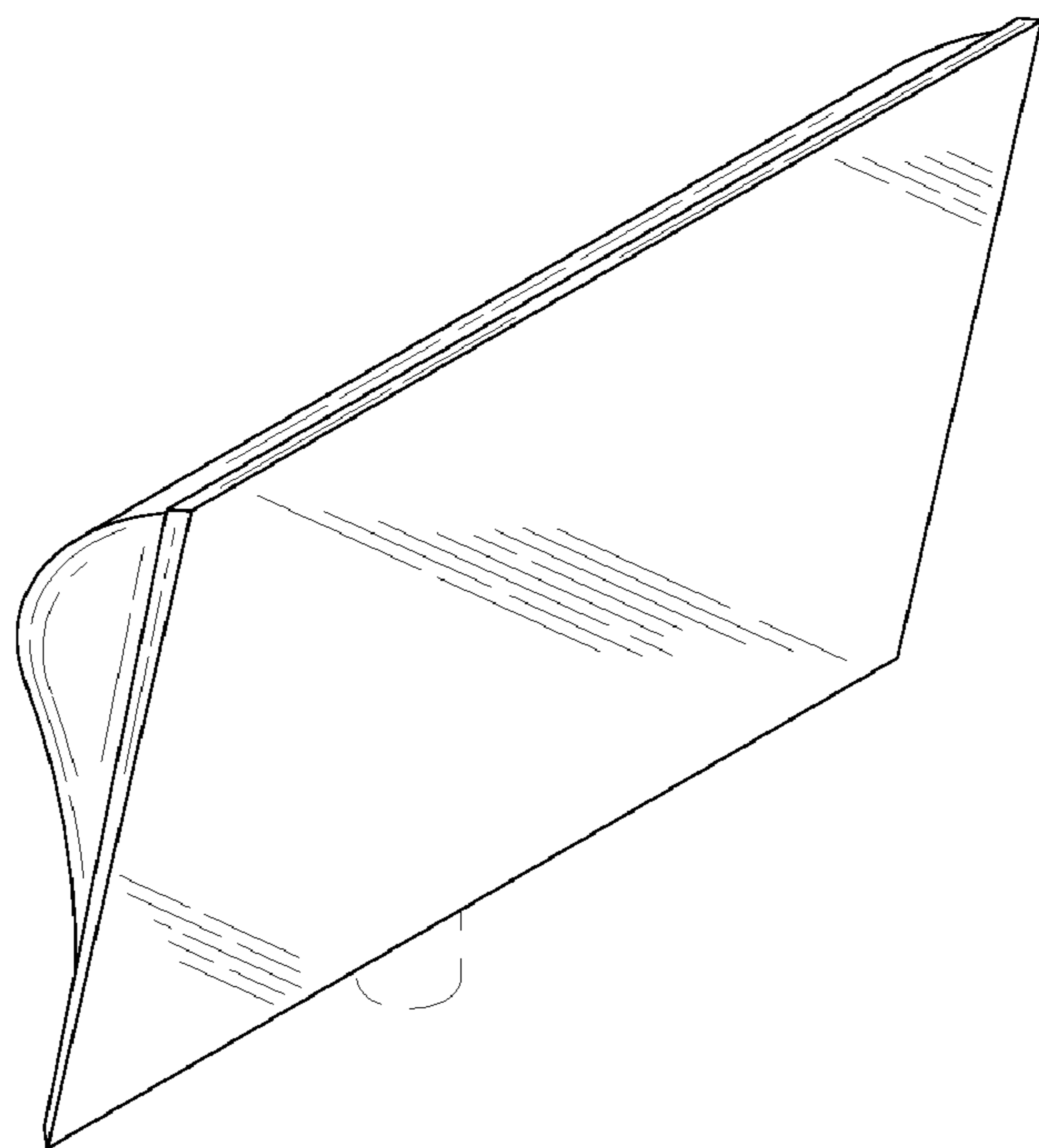


FIG. 16

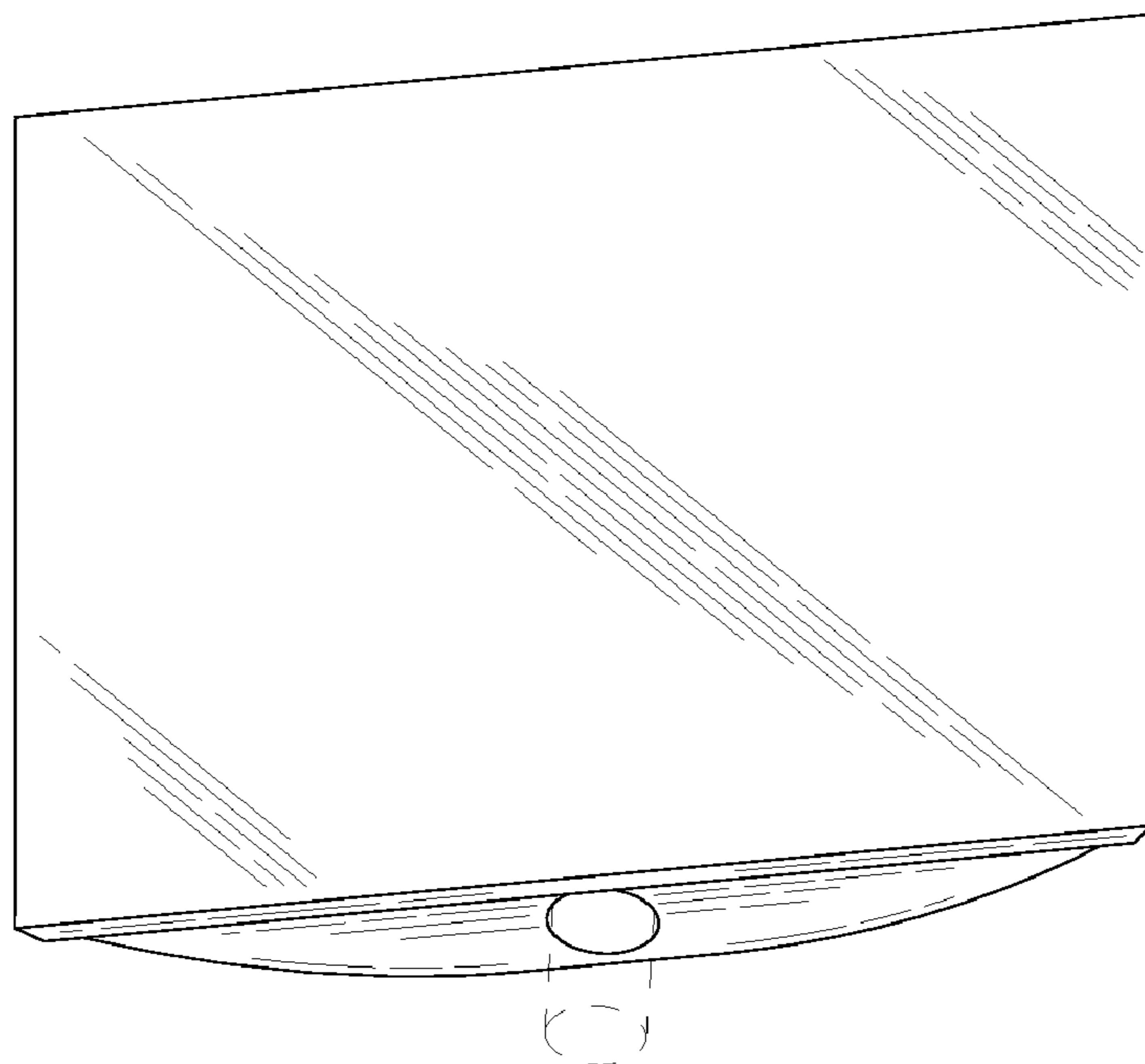


FIG. 17

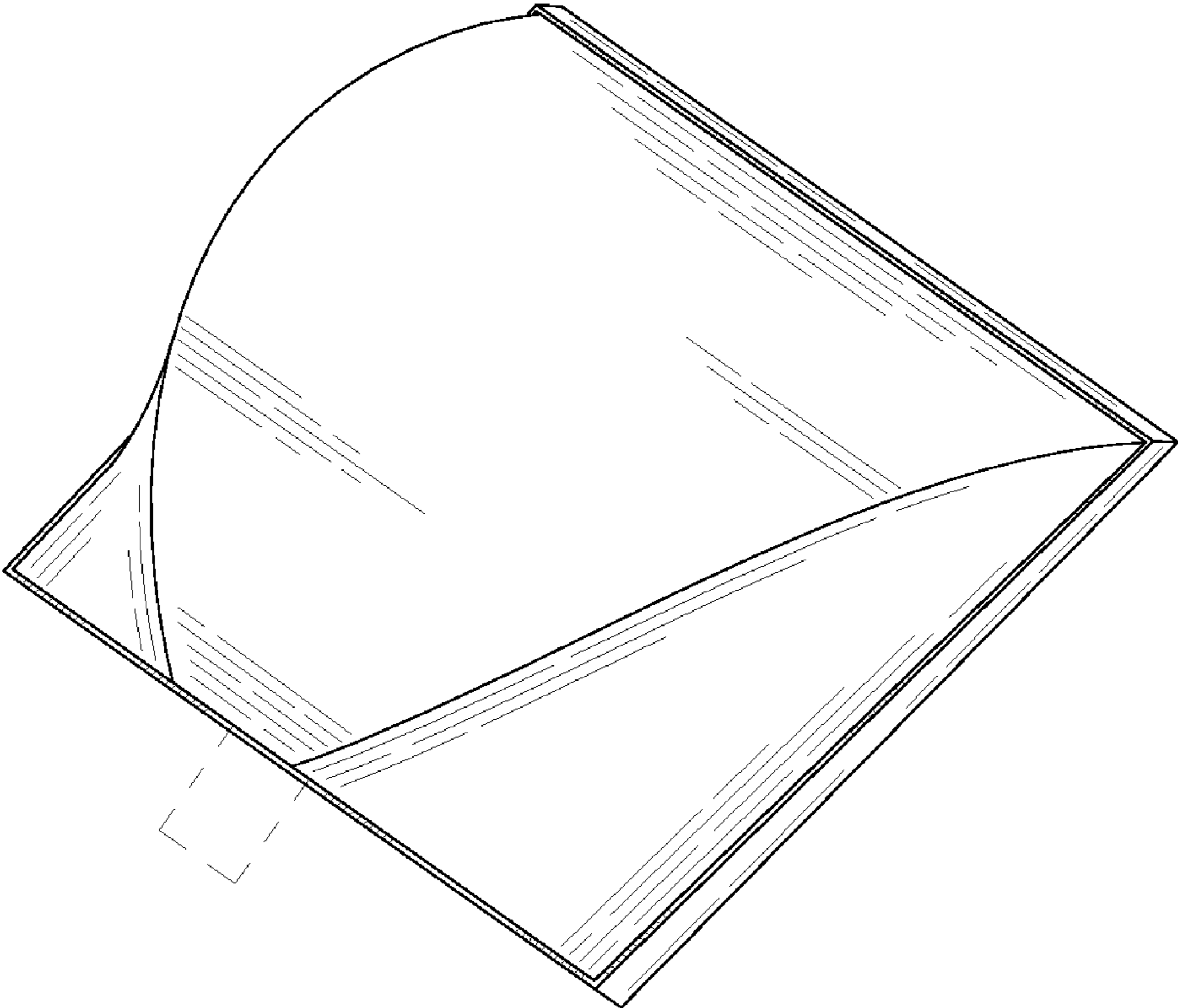


FIG. 18

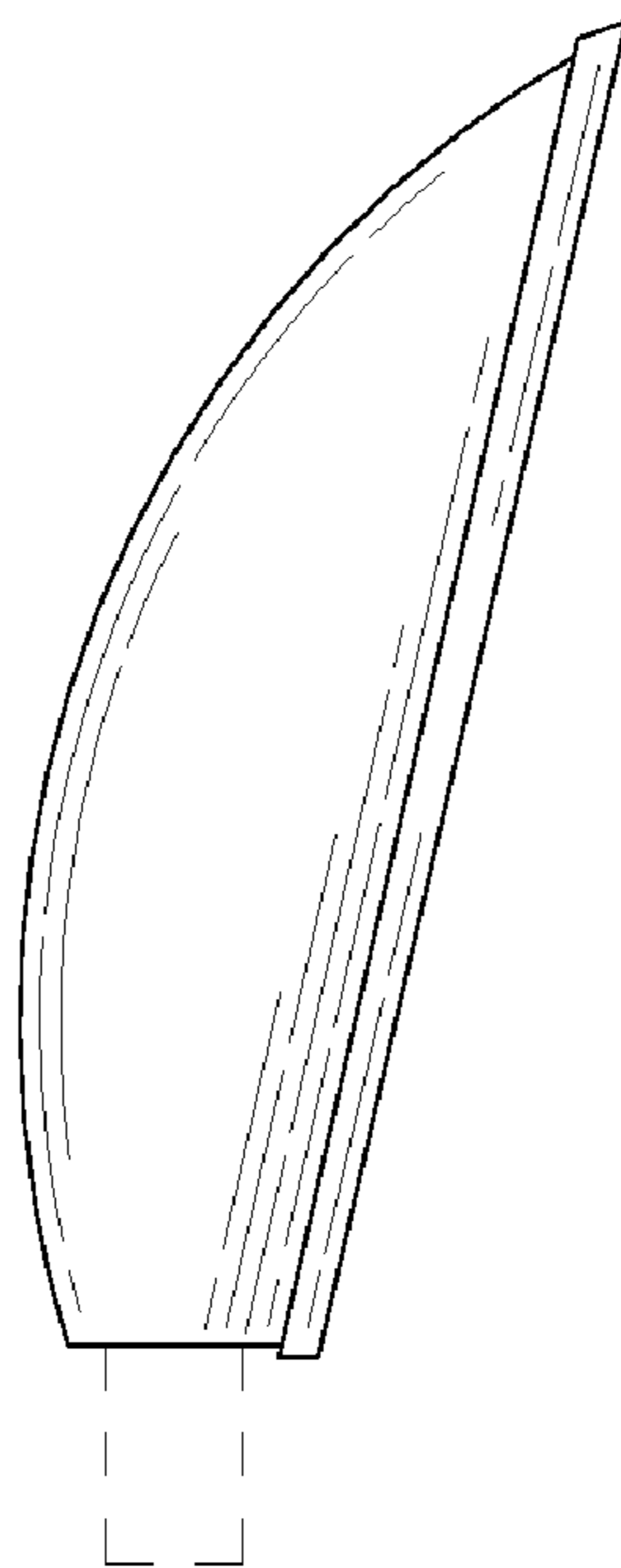


FIG. 19

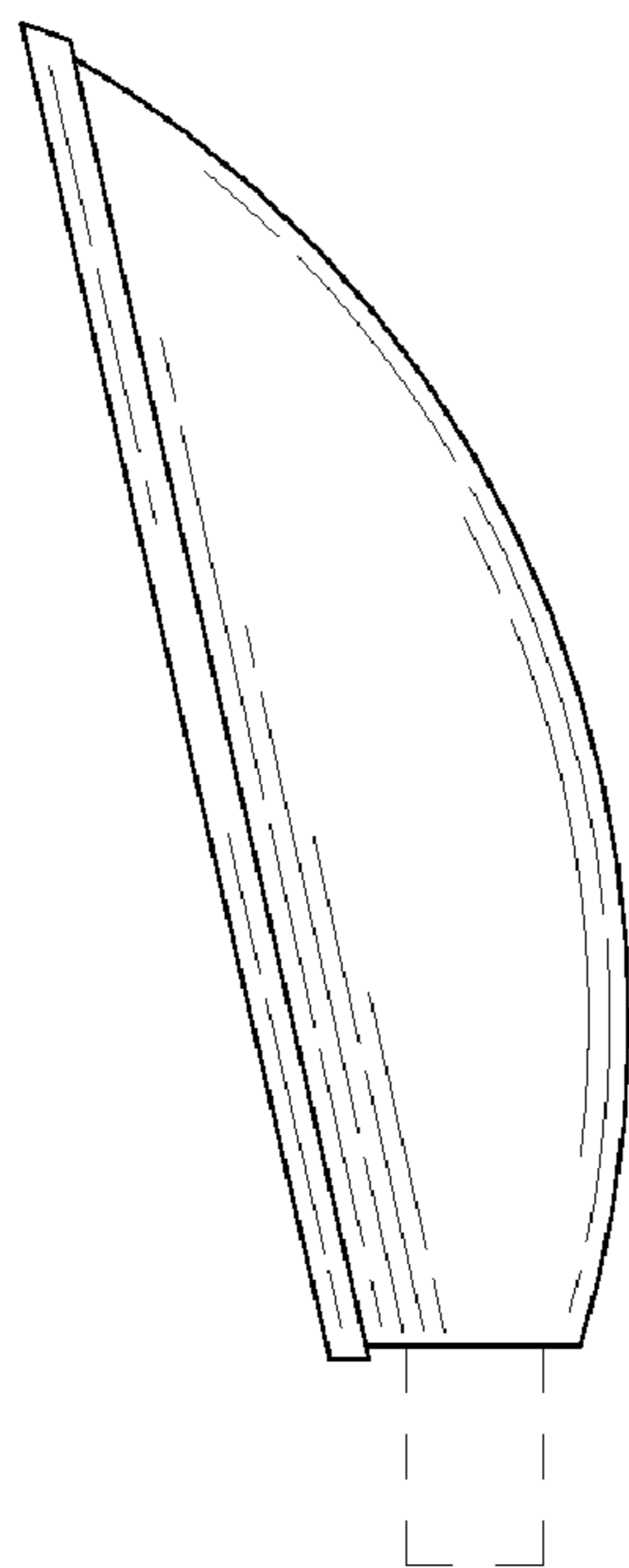


FIG. 20

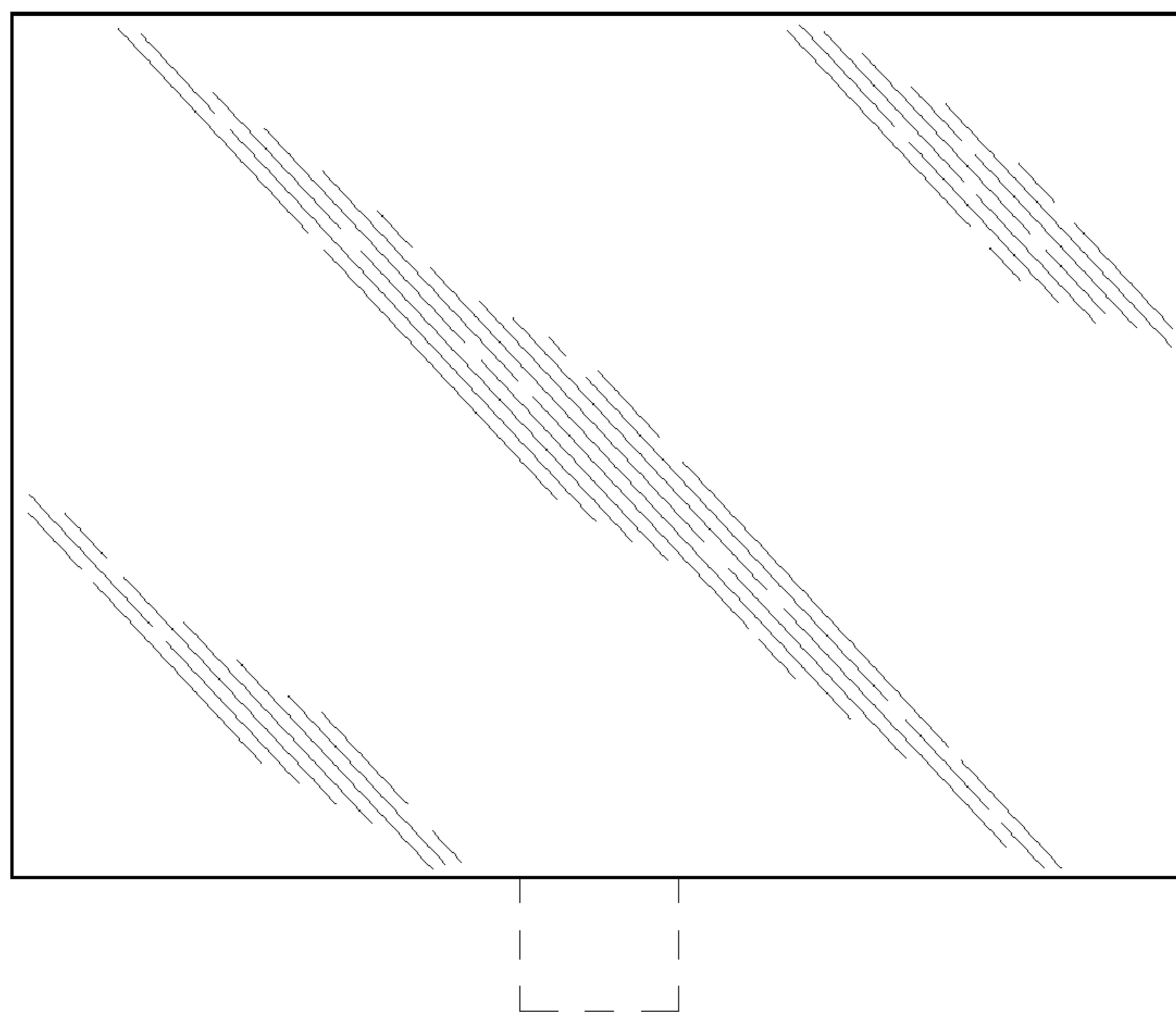


FIG. 21

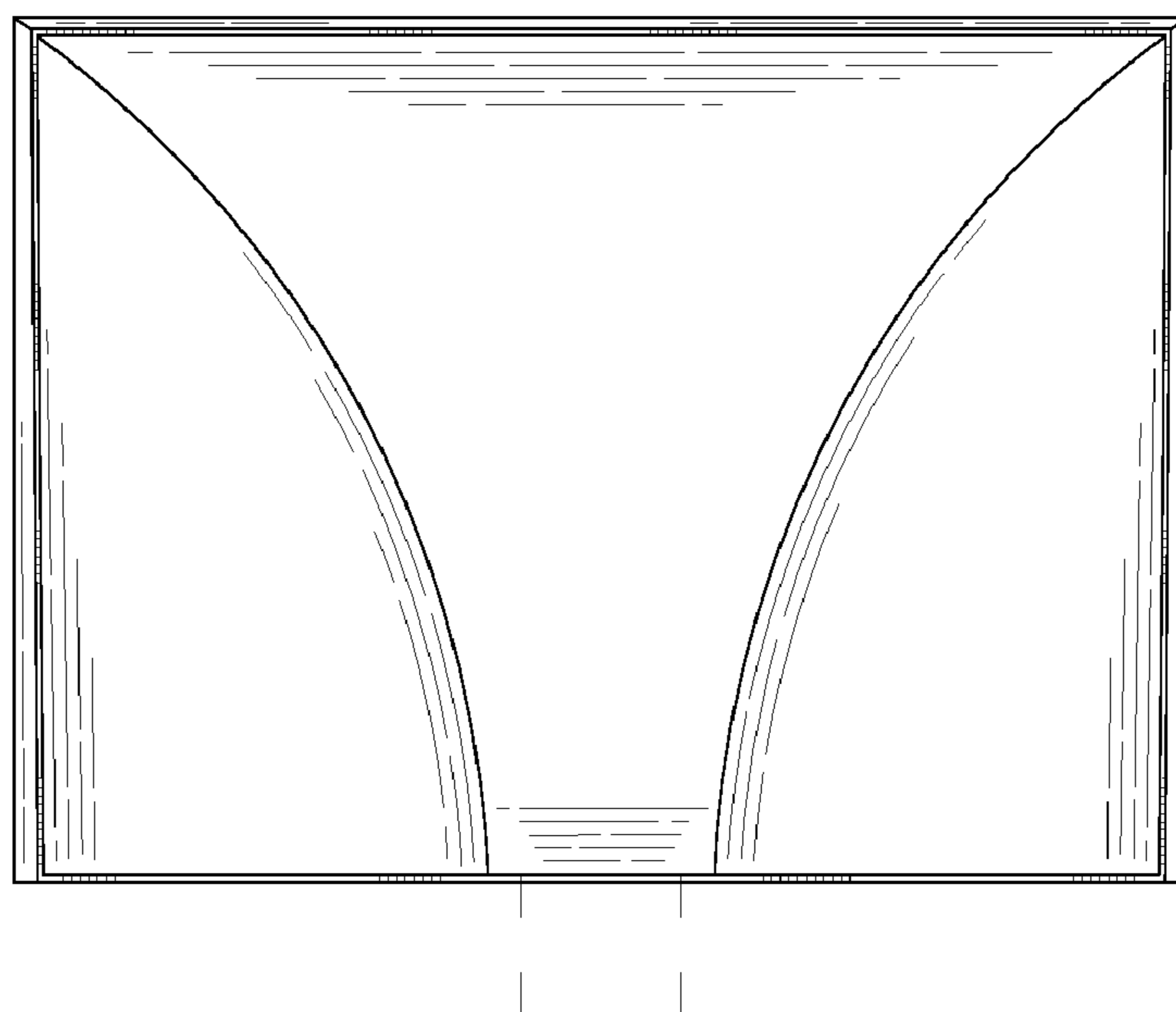


FIG. 22

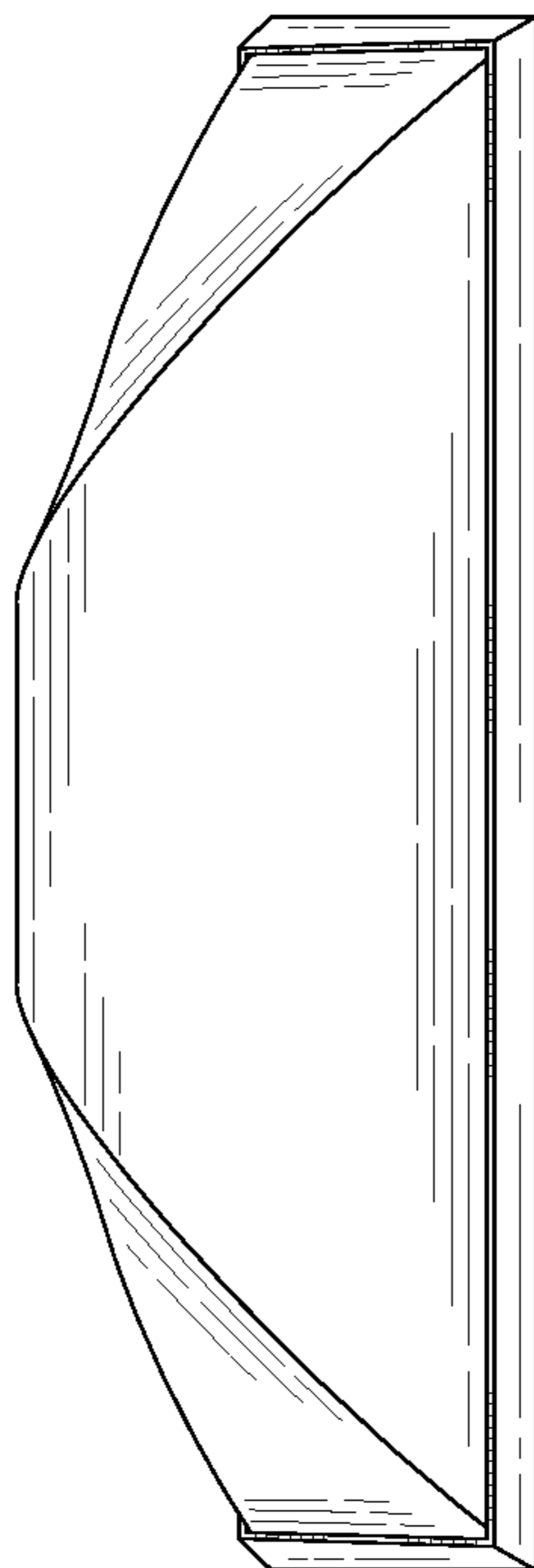


FIG. 23

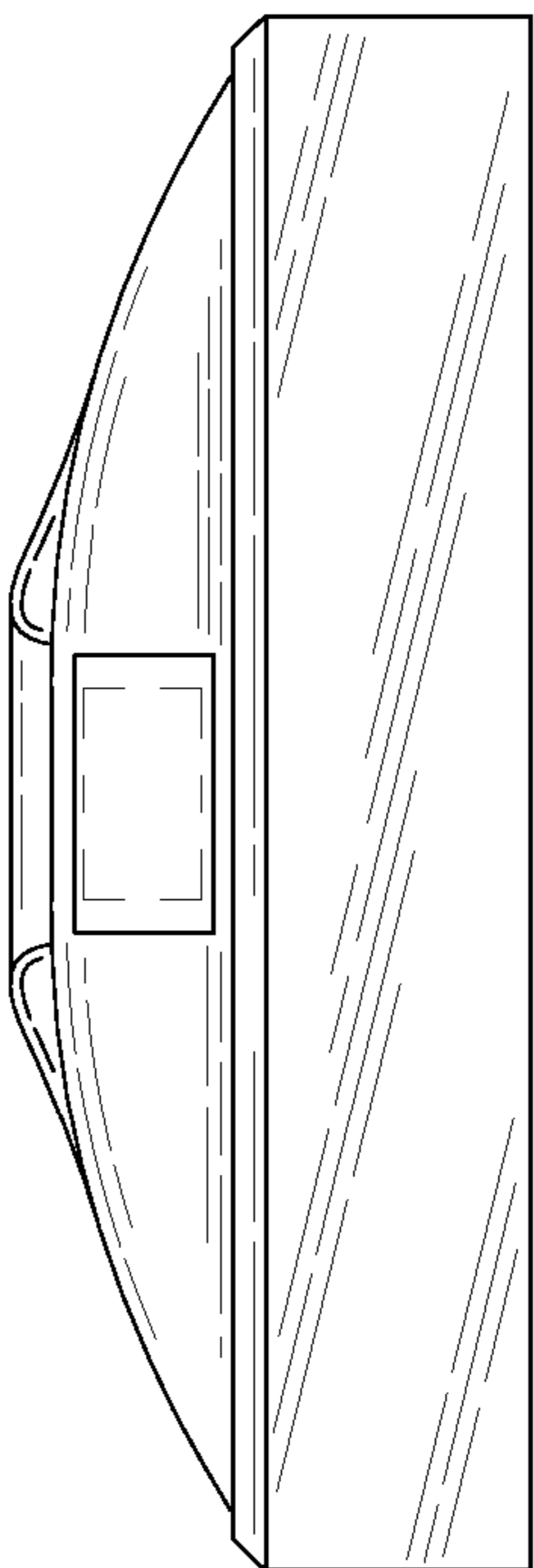


FIG. 24

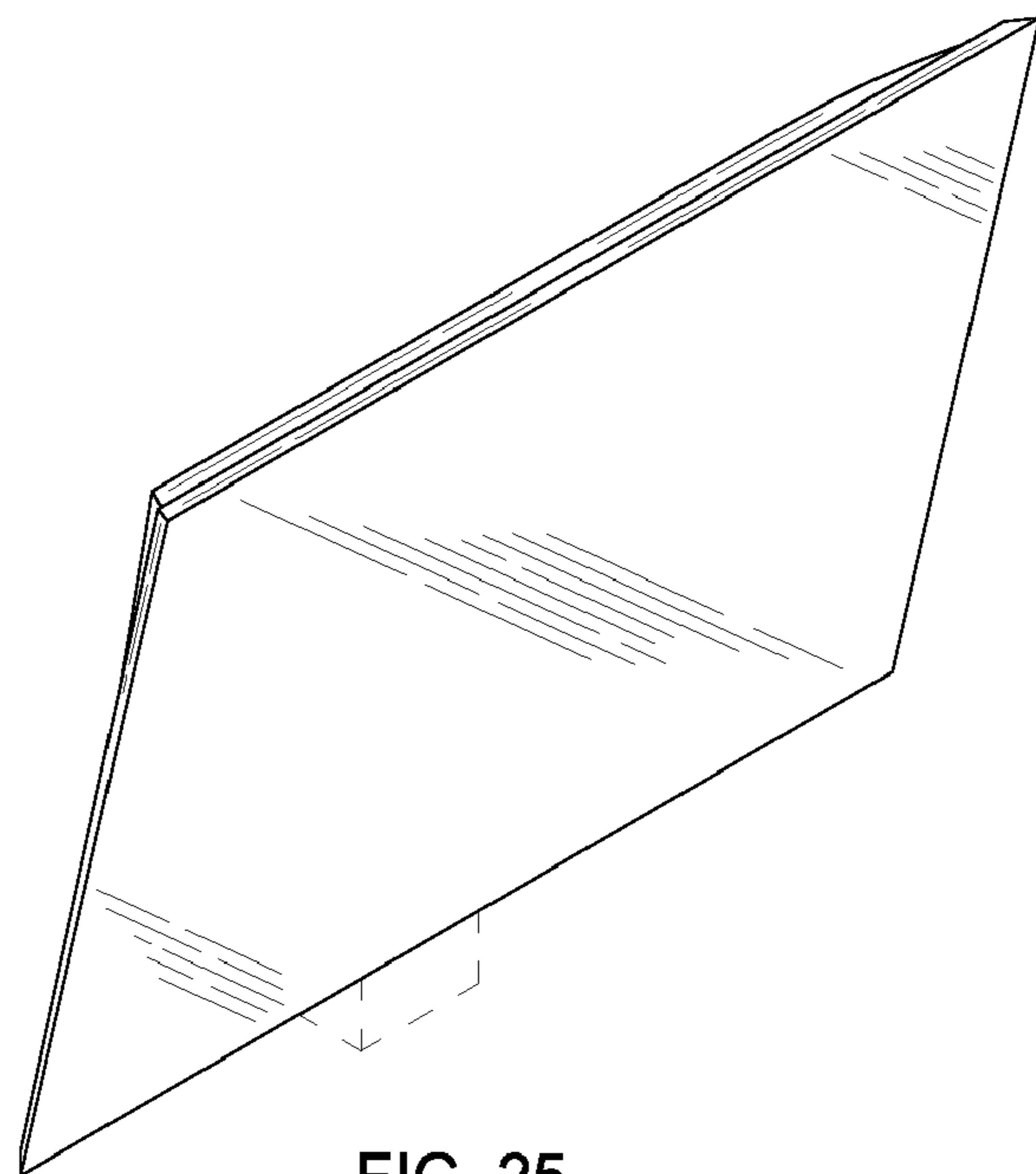


FIG. 25

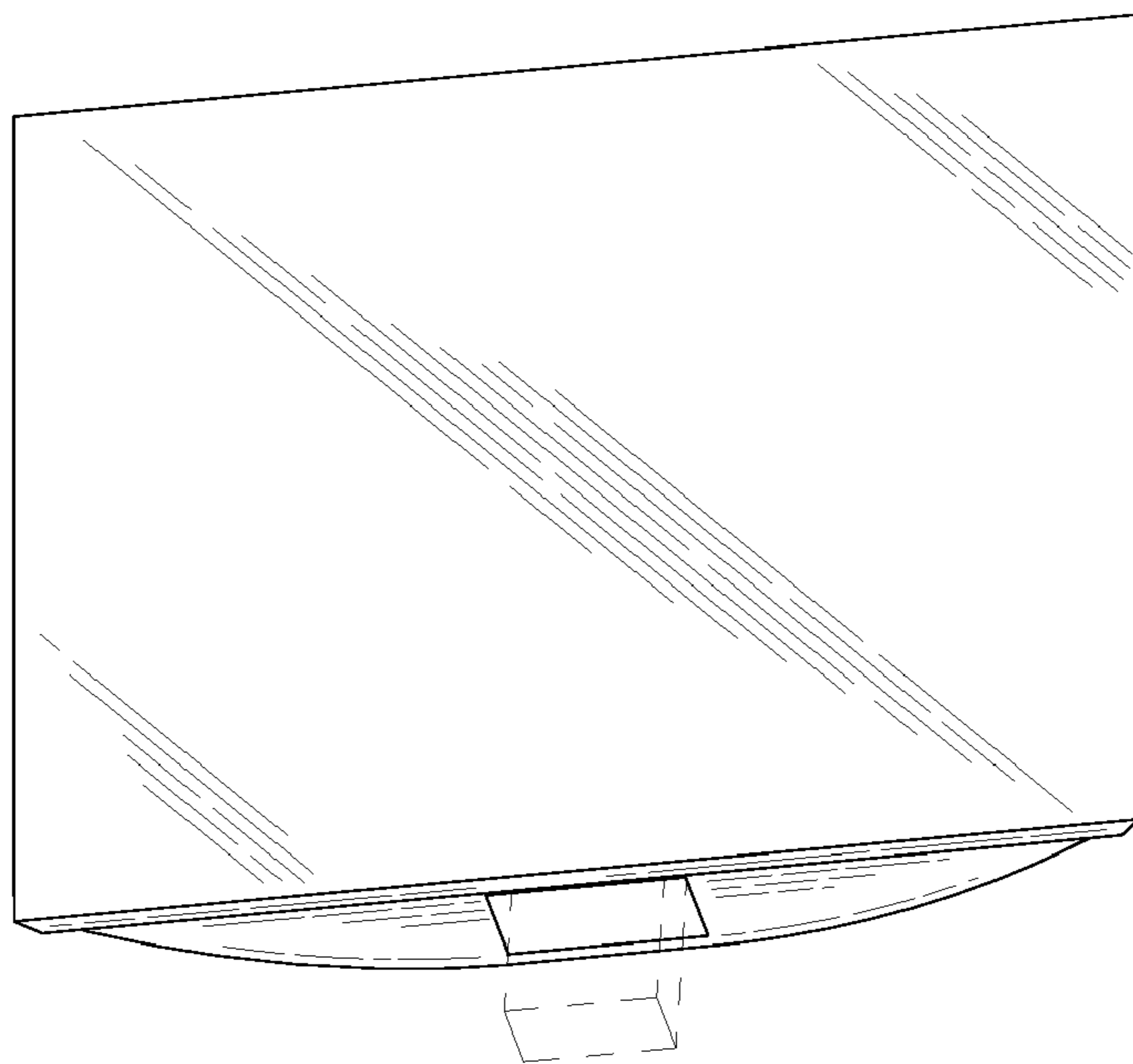


FIG. 26

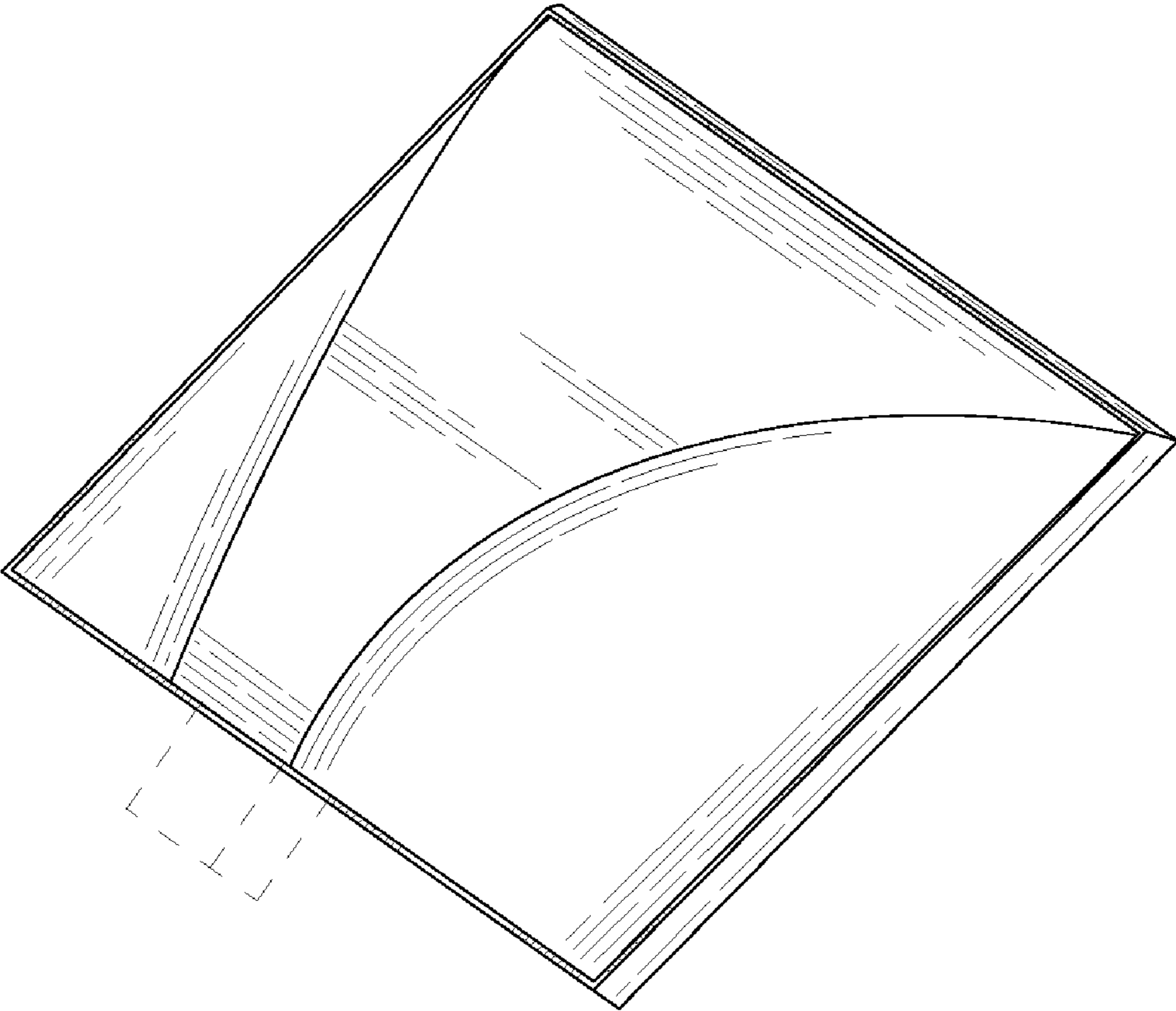


FIG. 27

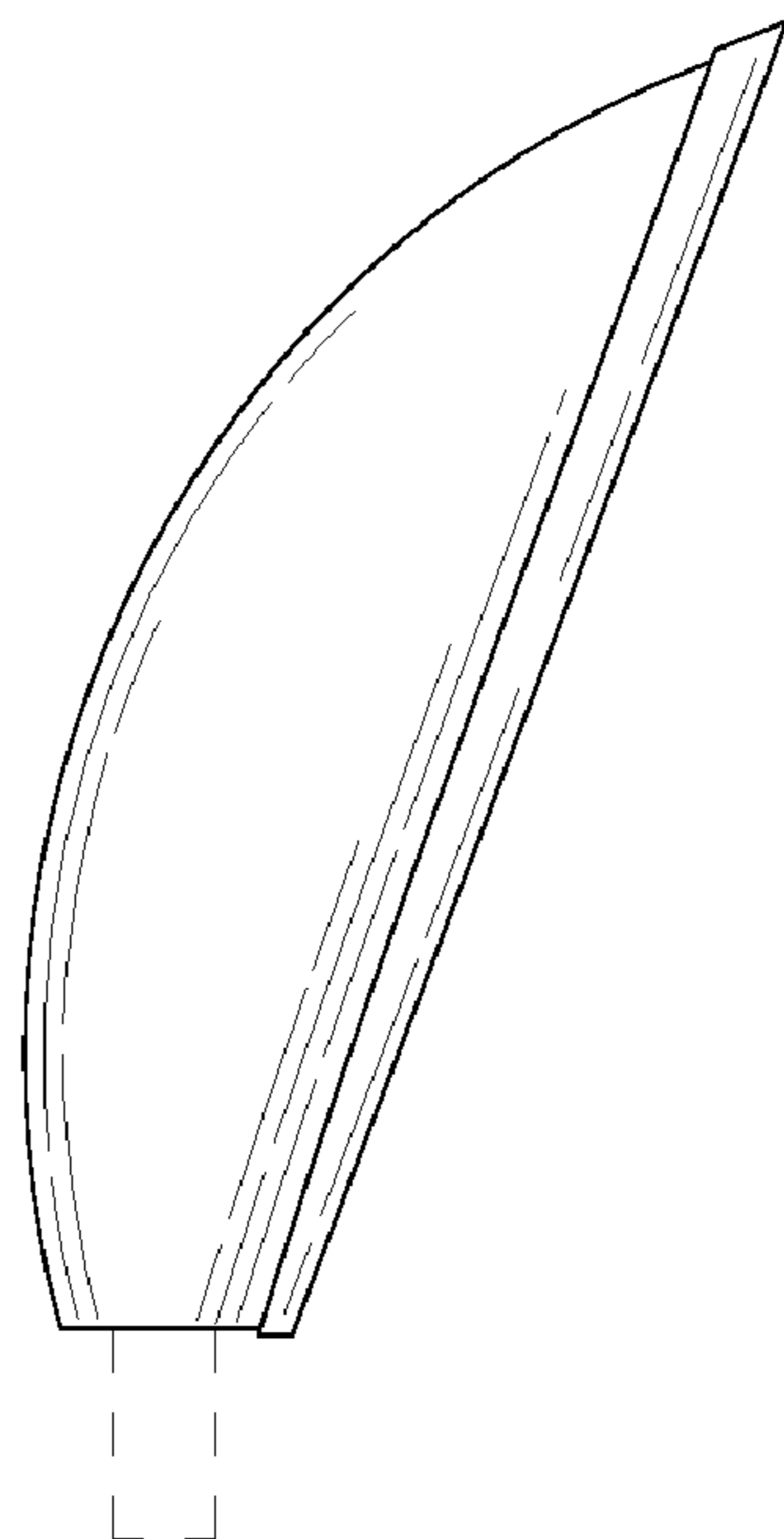


FIG. 28

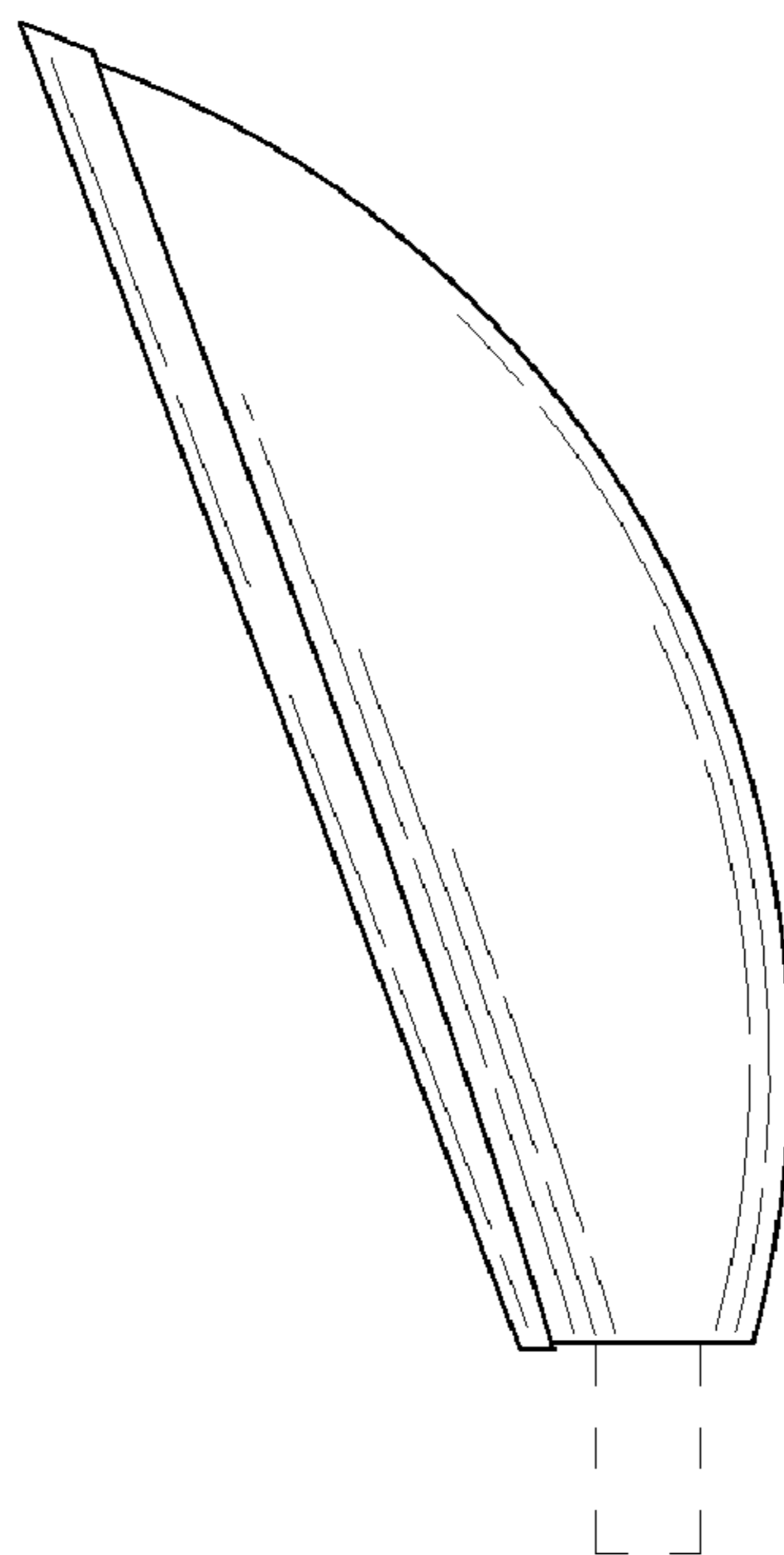


FIG. 29

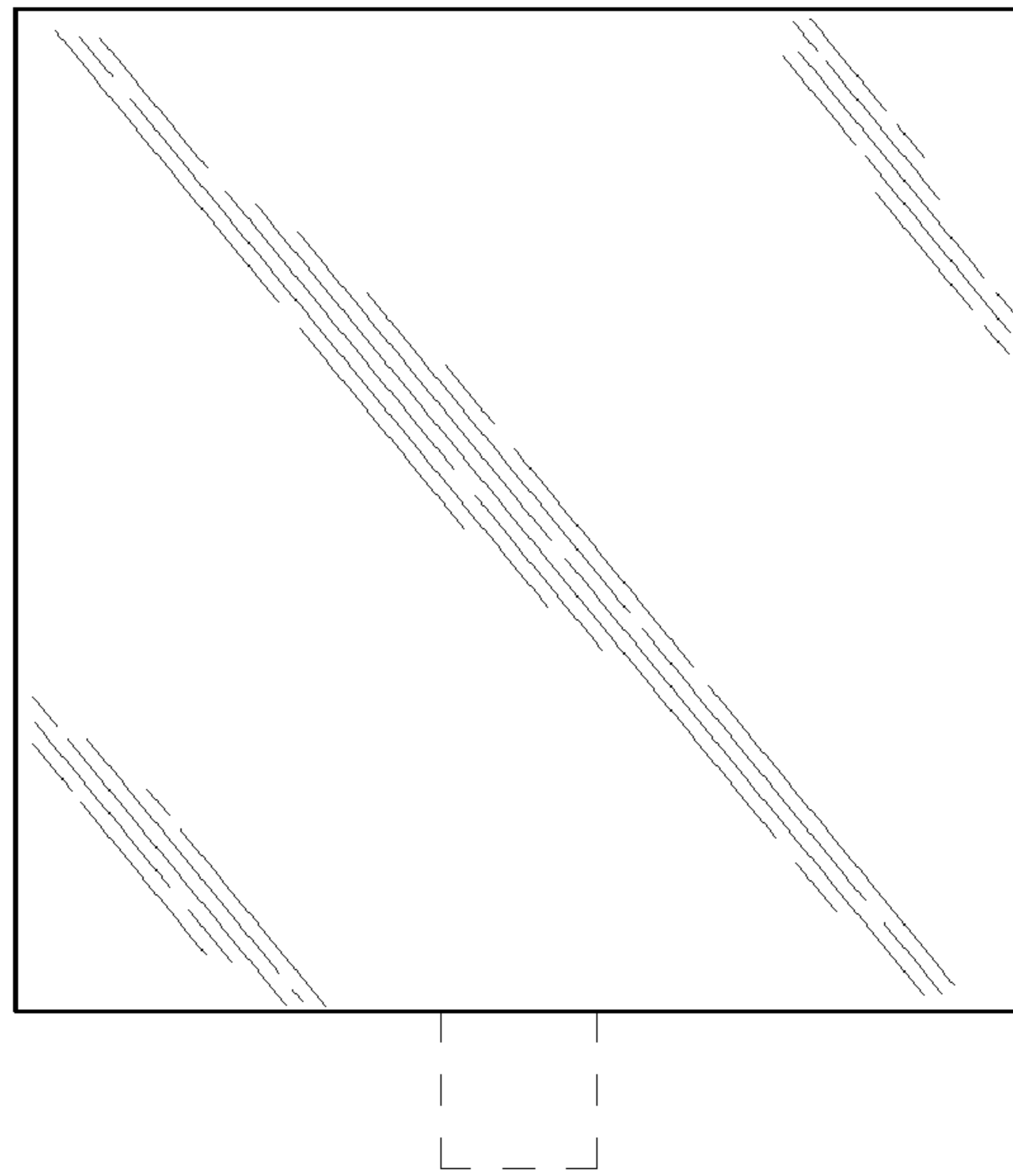


FIG. 30

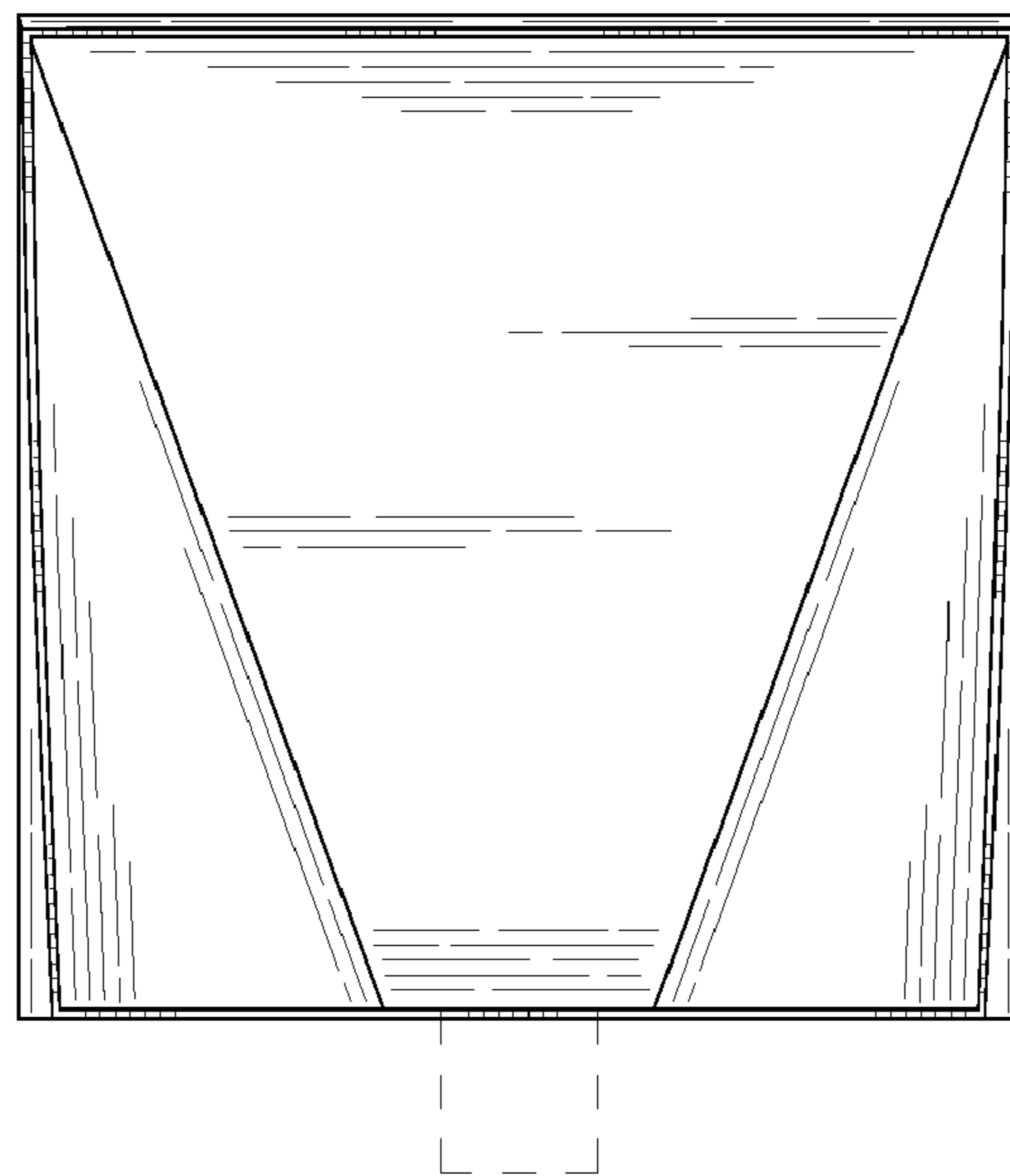


FIG. 31

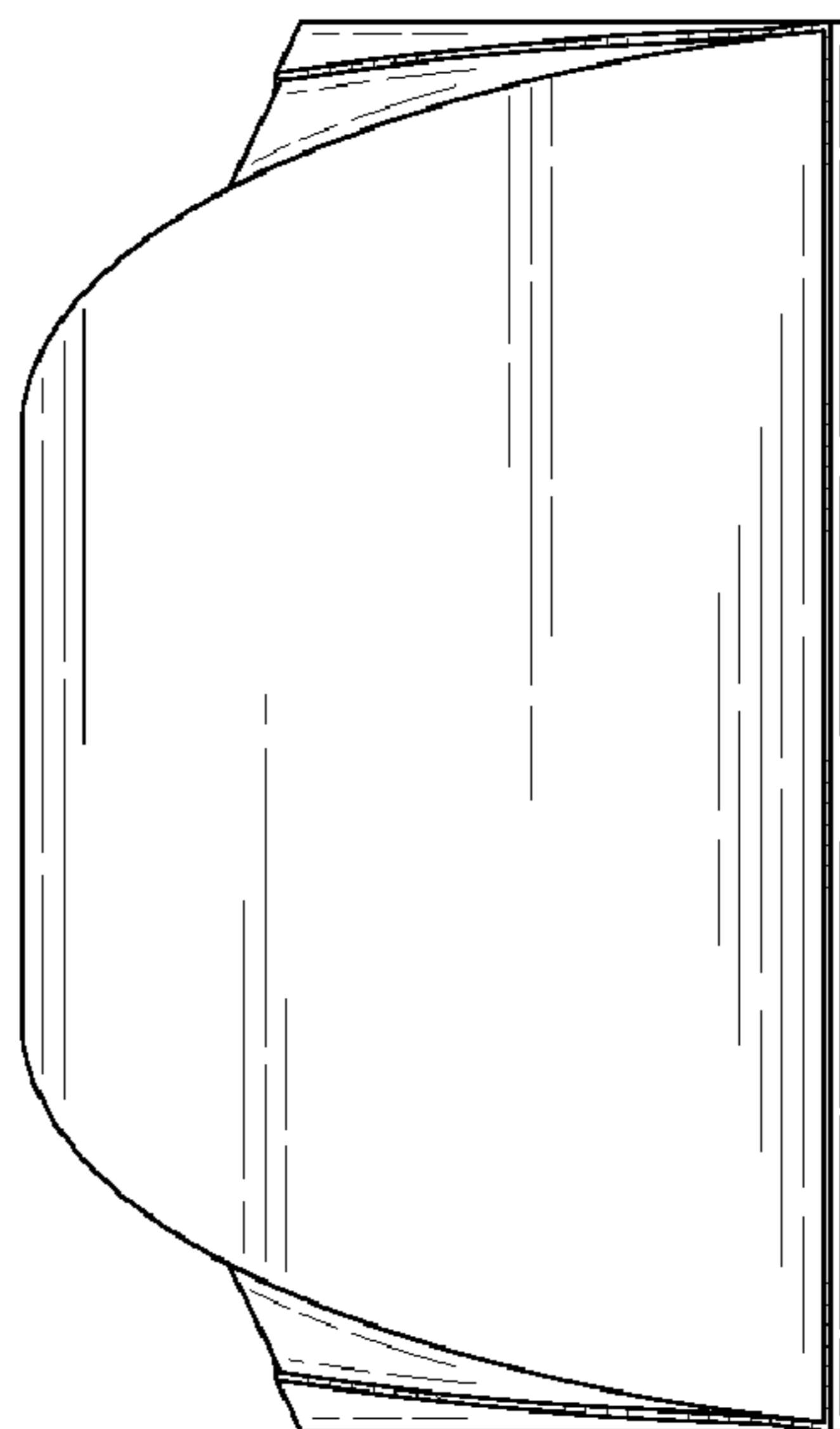


FIG. 32

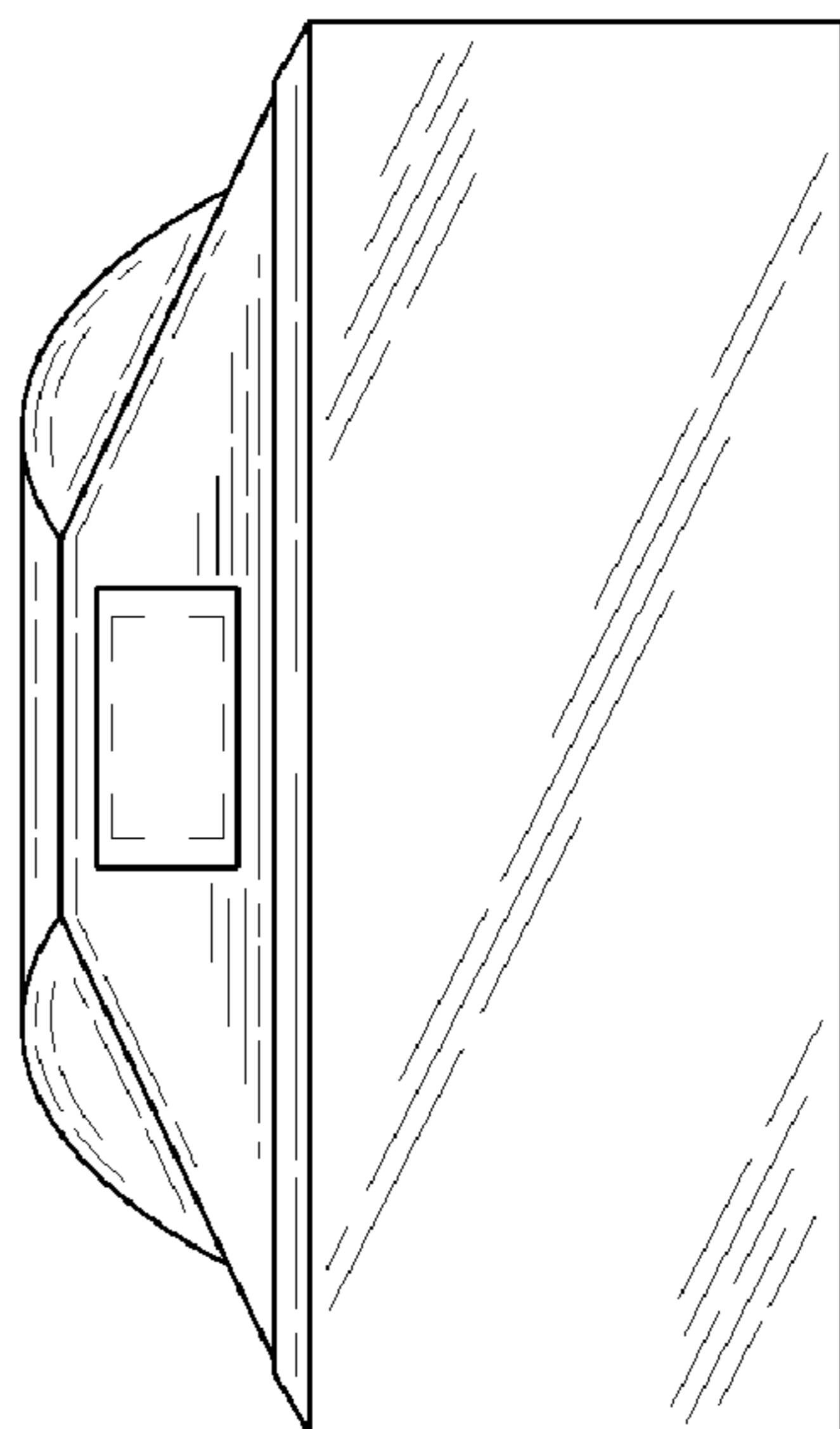


FIG. 33

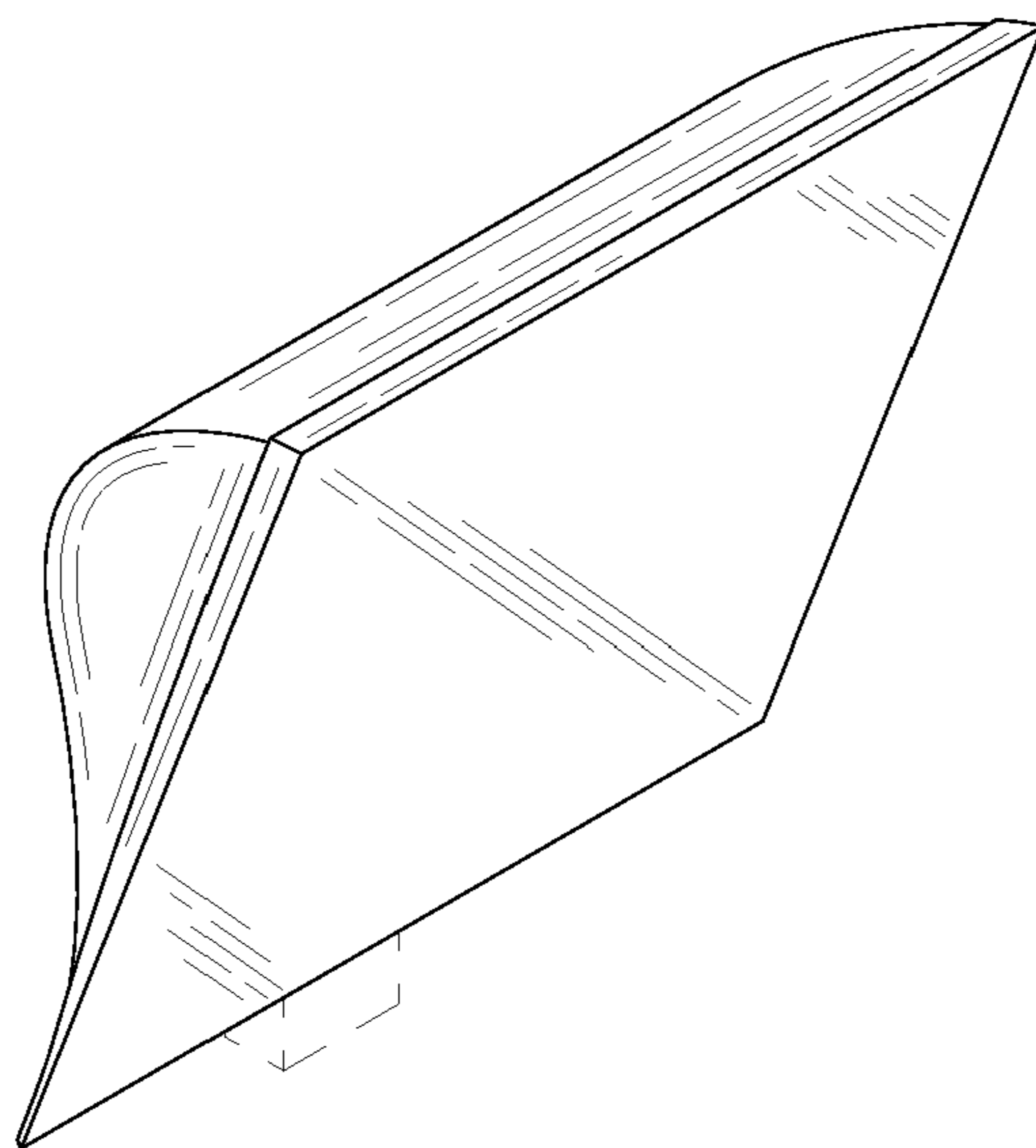


FIG. 34

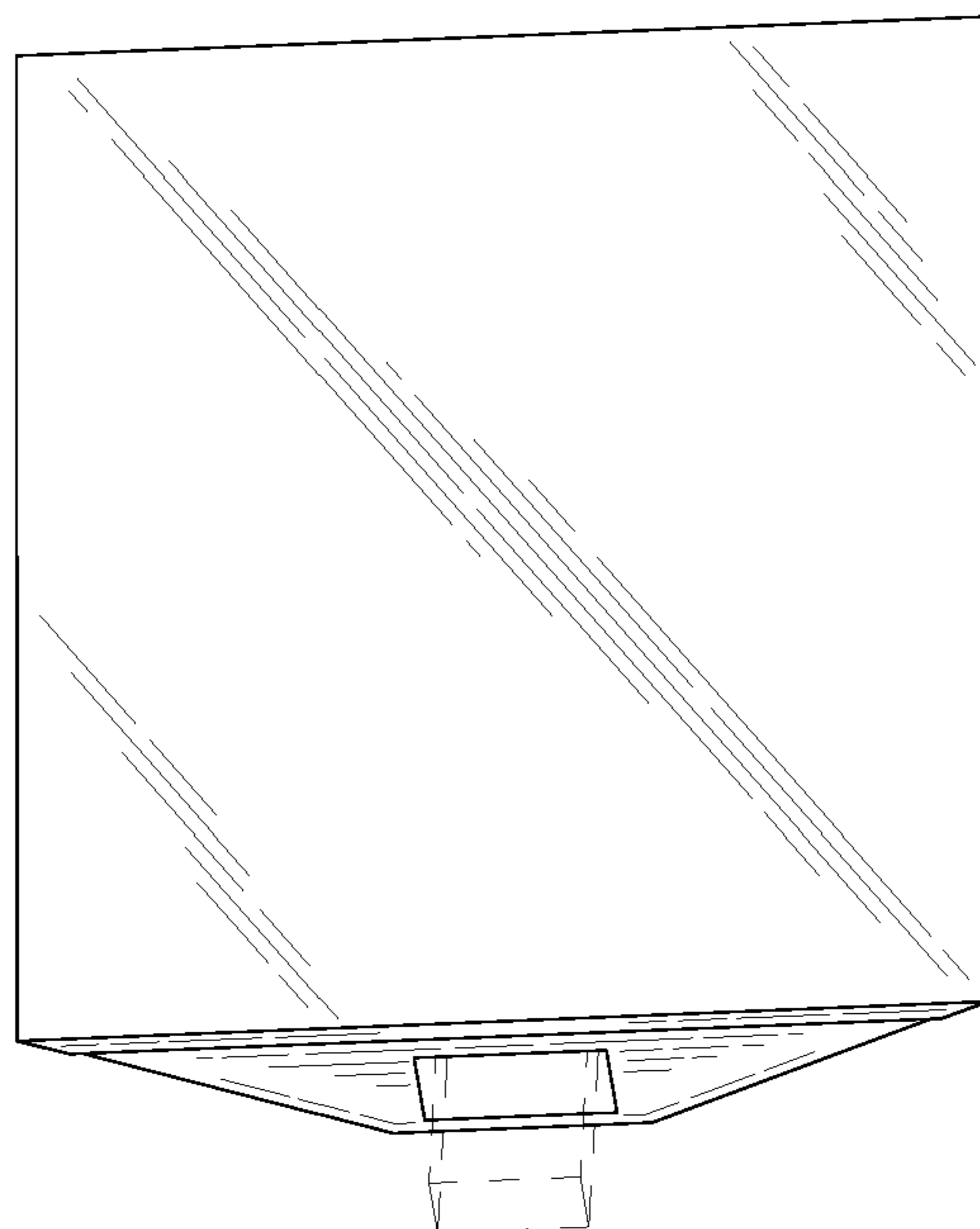


FIG. 35

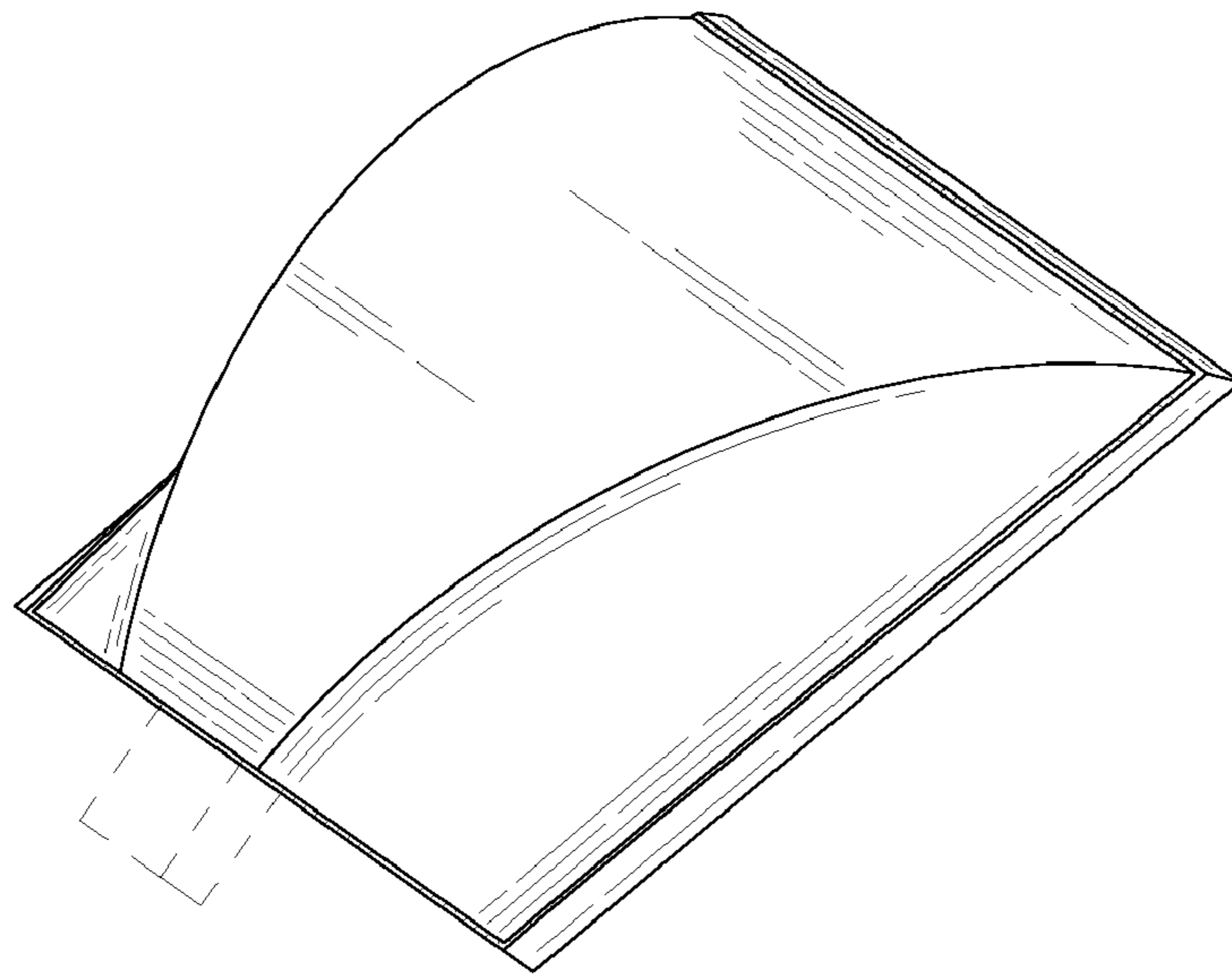


FIG. 36

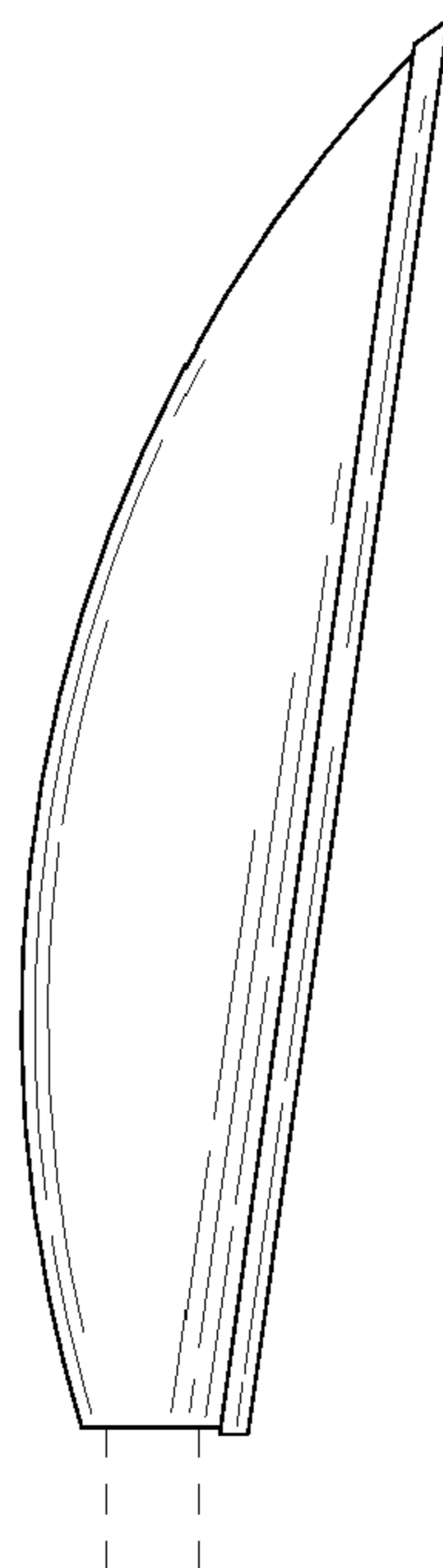


FIG. 37



FIG. 38

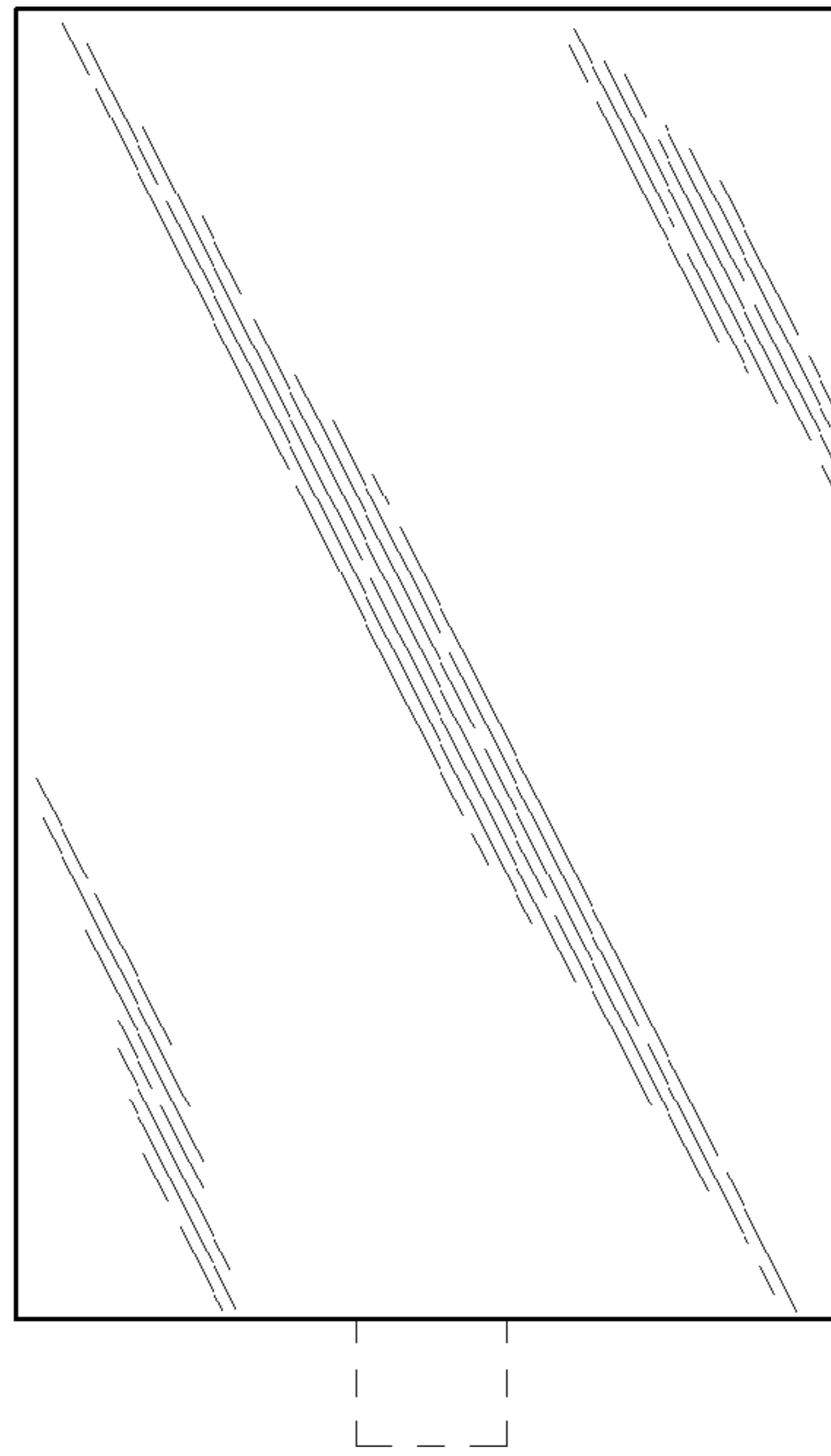


FIG. 39

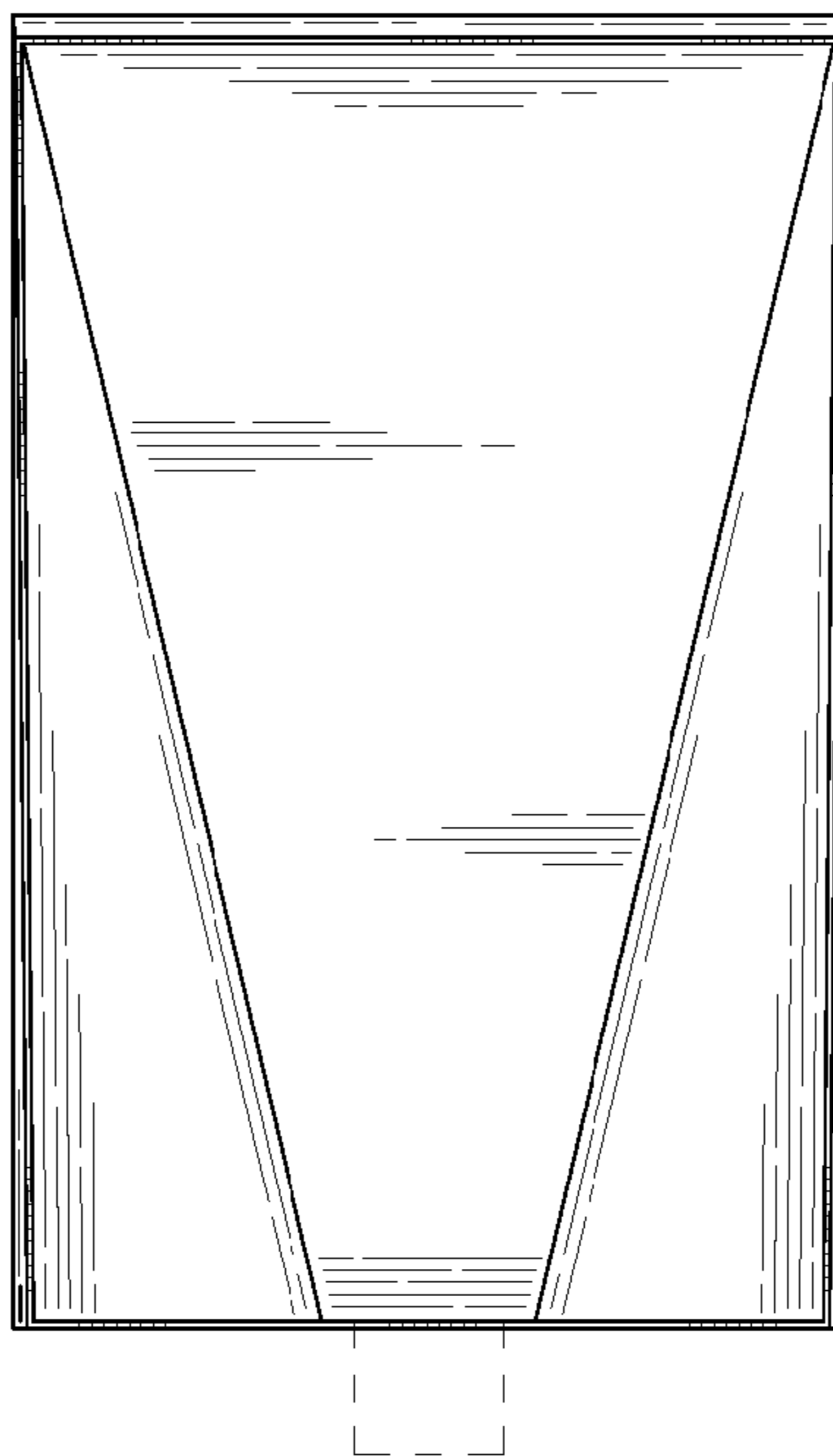


FIG. 40

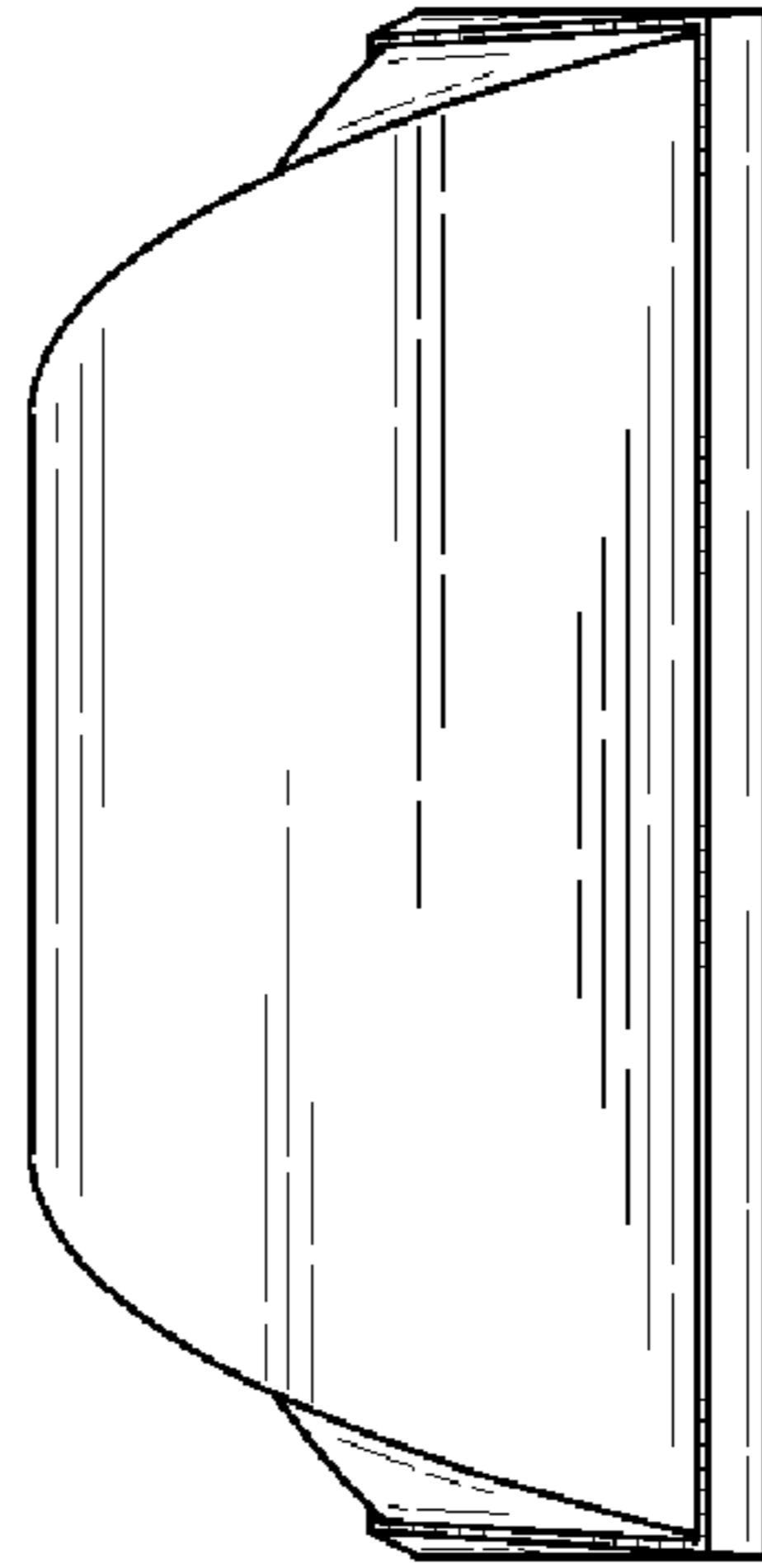


FIG. 41

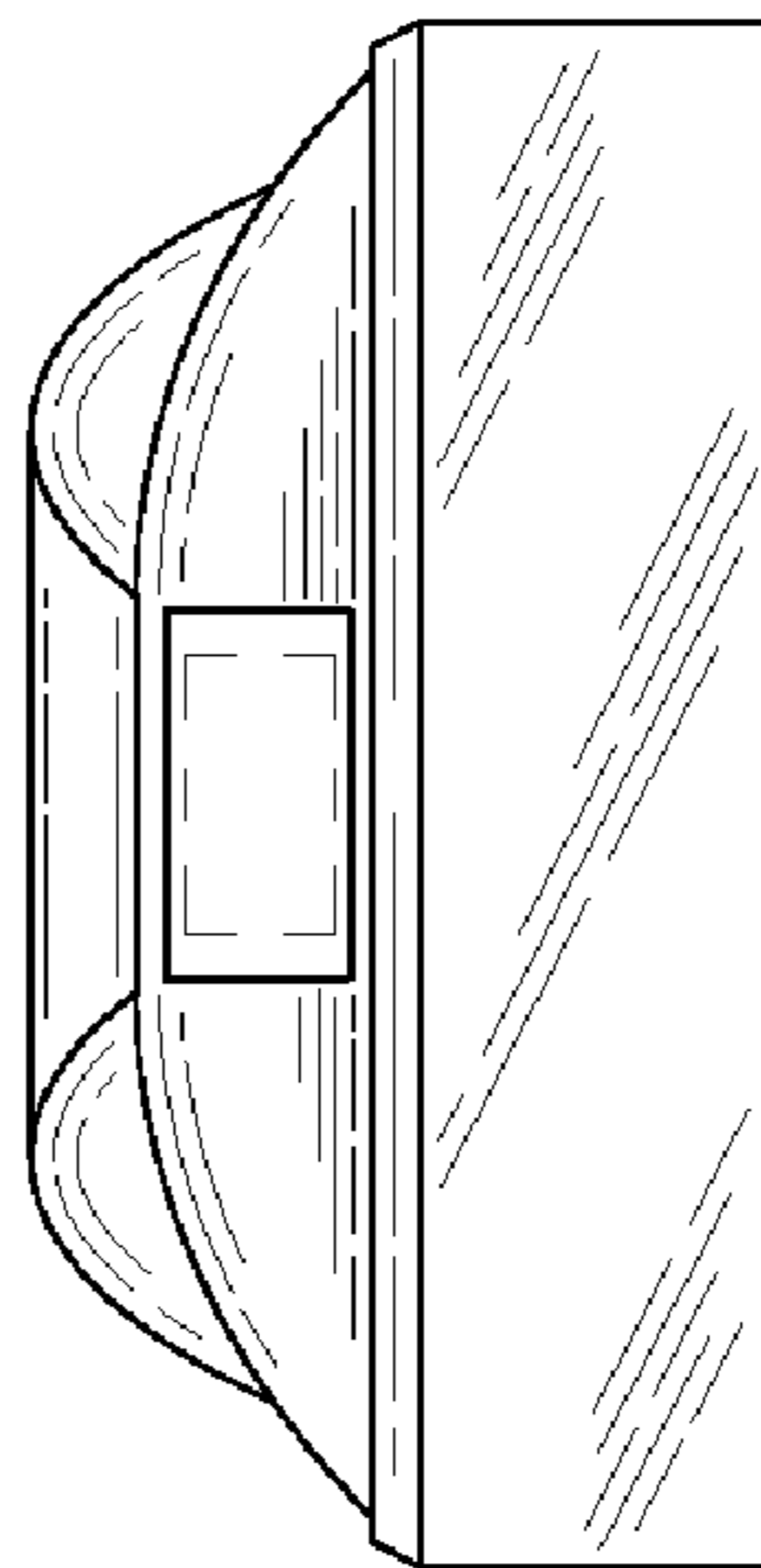


FIG. 42

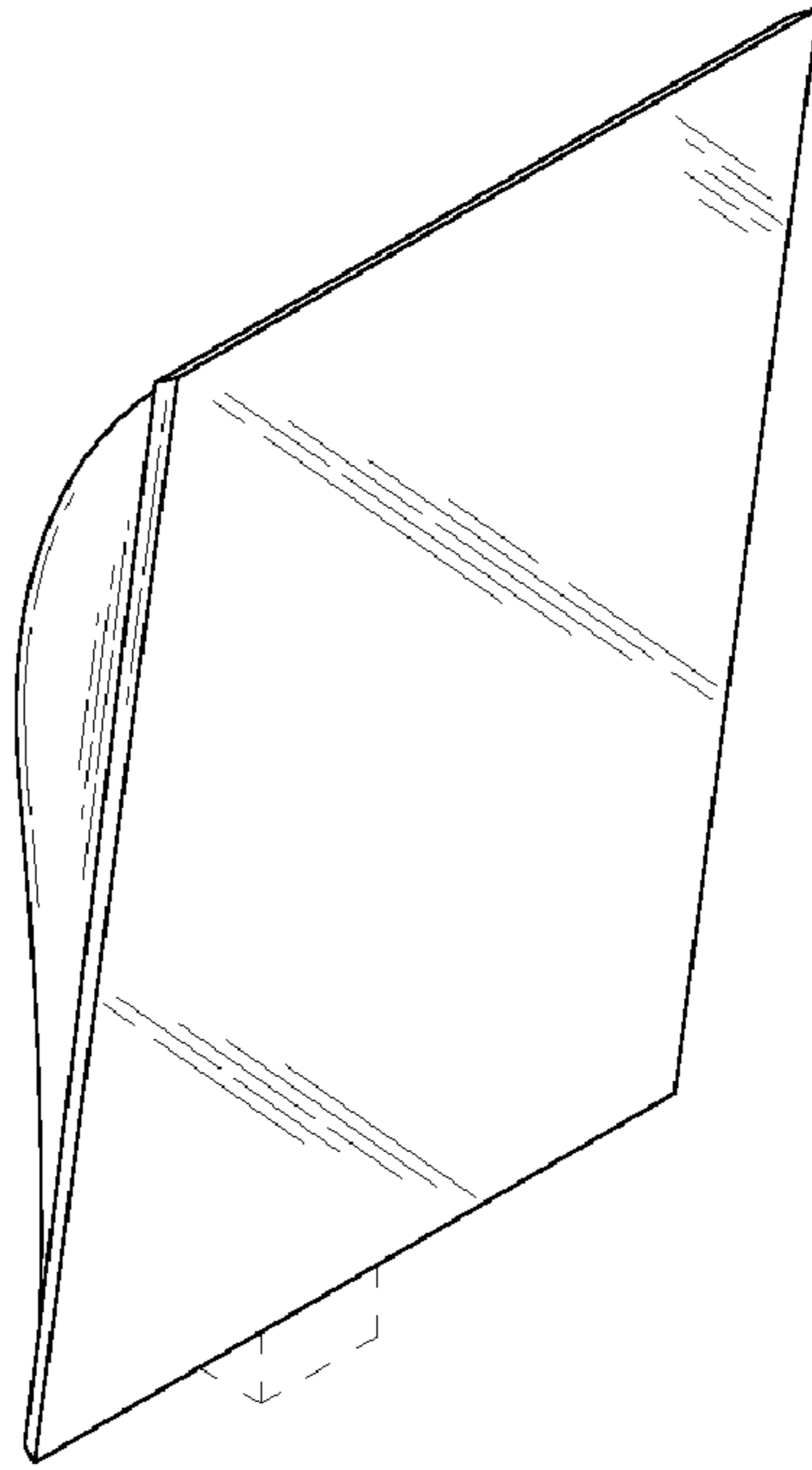


FIG. 43

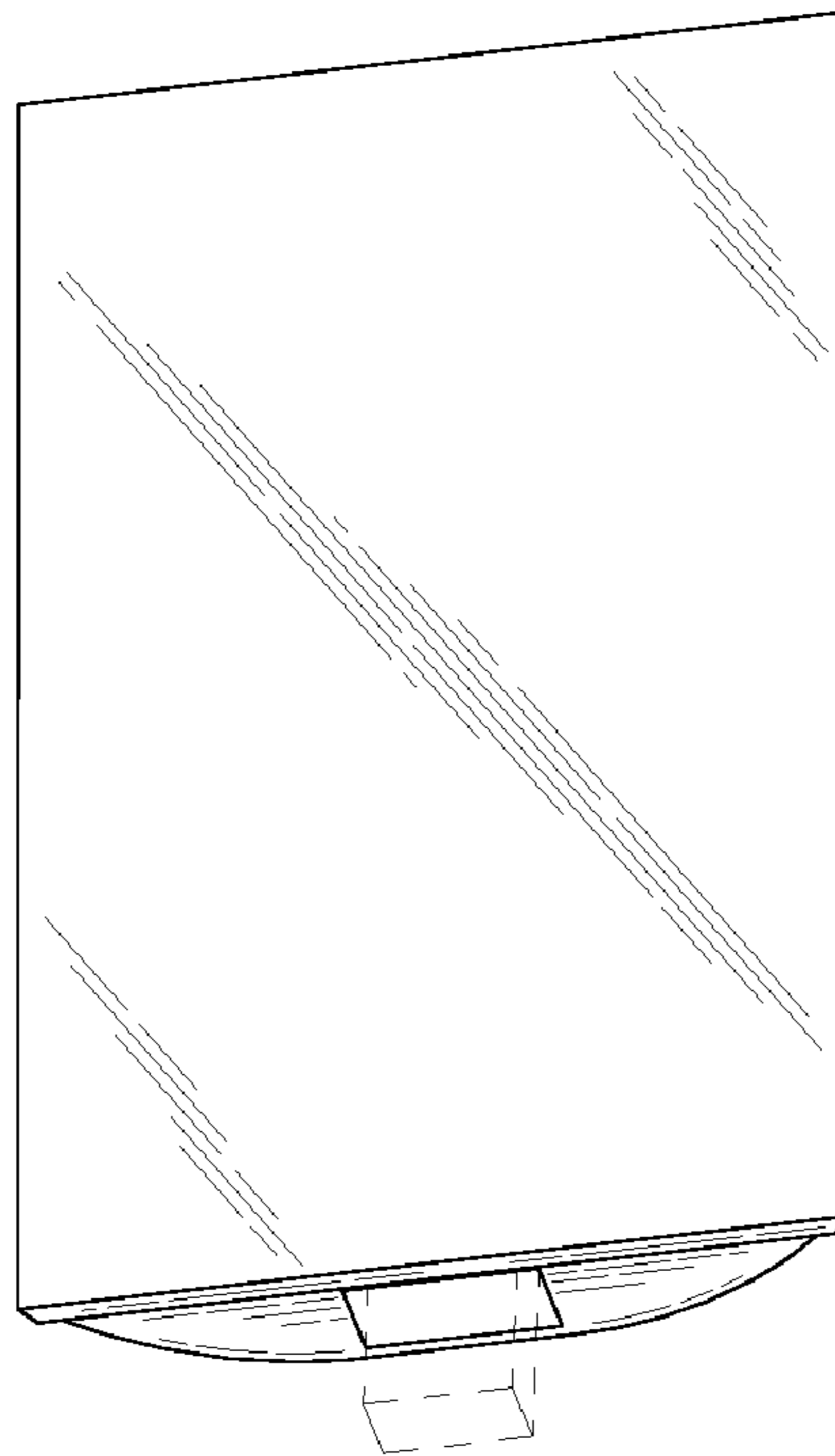


FIG. 44

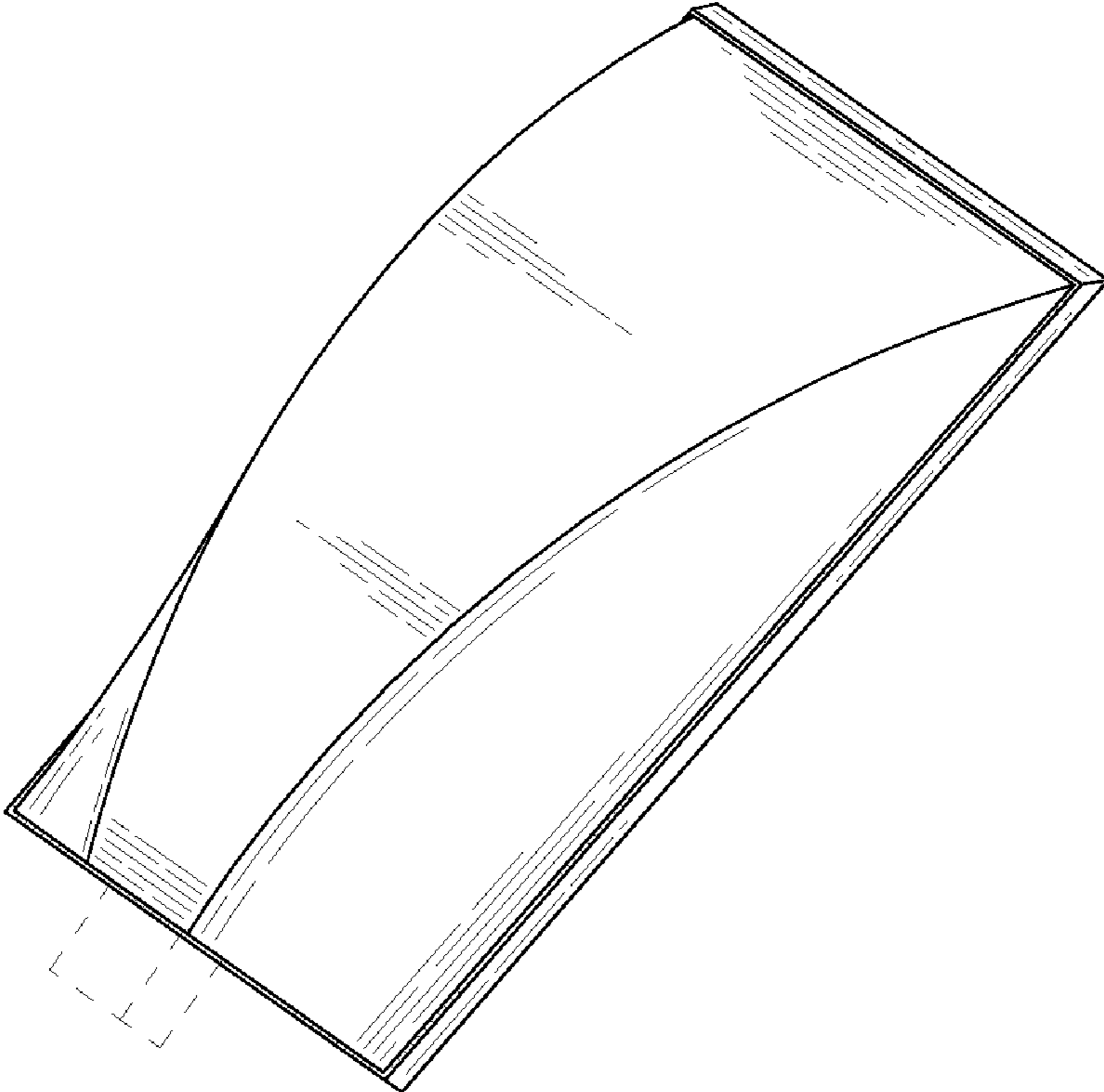


FIG. 45

UNITED STATES PATENT AND TRADEMARK OFFICE
CERTIFICATE OF CORRECTION

PATENT NO. : D641,100 S
APPLICATION NO. : 29/382345
DATED : July 5, 2011
INVENTOR(S) : Shanshan Li

Page 1 of 1

It is certified that error appears in the above-identified patent and that said Letters Patent is hereby corrected as shown below:

Title Page: item (57),
In the Description:

page 1, description of FIG. 8, "front of the bottom side" should read -- back of the bottom side --.
page 1, description of FIG. 9, "back of the right side" should read -- front of the right side --.
page 2, description of FIG. 17, "front of the bottom side" should read -- back of the bottom side --.
page 2, description of FIG. 18, "back of the right side" should read -- front of the right side --.
page 2, description of FIG. 26, "front of the bottom side" should read -- back of the bottom side --.
page 2, description of FIG. 27, "back of the right side" should read -- front of the right side --.
page 2, description of FIG. 35, "front of the bottom side" should read -- back of the bottom side --.
page 2, description of FIG. 36, "back of the right side" should read -- front of the right side --.
page 2, description of FIG. 44, "front of the bottom side" should read -- back of the bottom side --.
page 2, description of FIG. 45, "back of the right side" should read -- front of the right side --.

Signed and Sealed this
Seventeenth Day of September, 2013



Teresa Stanek Rea
Deputy Director of the United States Patent and Trademark Office