



US00D641097S

(12) **United States Design Patent**
Kocks

(10) **Patent No.:** **US D641,097 S**

(45) **Date of Patent:** **** Jul. 5, 2011**

(54) **RECTANGULAR LAMP**

(75) Inventor: **Markus Kocks**, Freiburg (DE)

(73) Assignee: **RIDI—Leuchten GmbH**, Jungingen (DE)

(**) Term: **14 Years**

(21) Appl. No.: **29/366,176**

(22) Filed: **Jul. 21, 2010**

(51) **LOC (9) Cl.** **26-03**

(52) **U.S. Cl.** **D26/89**

(58) **Field of Classification Search** D26/72,
D26/85, 89, 119, 128; 362/147, 350, 404–408,
362/453–456

See application file for complete search history.

(56) **References Cited**

U.S. PATENT DOCUMENTS

D308,423 S *	6/1990	Galipeau et al.	D26/67
D312,842 S *	12/1990	Younger et al.	D20/42
D376,214 S *	12/1996	Pinchuk	D26/26
D386,801 S *	11/1997	Orgovan	D26/31
D403,442 S *	12/1998	Joss	D26/26
D477,104 S *	7/2003	Wang	D26/72
D514,732 S *	2/2006	Benensohn	D26/89
D558,382 S *	12/2007	Cesaro	D26/86
D595,447 S *	6/2009	Purcell	D26/85
D629,146 S *	12/2010	van den Akker	D26/89

OTHER PUBLICATIONS

Zelkova Rectangular Flushmount models 14783-012 and 14782-015 shown on p. 273 of the Eurofase 2009 Illuminations Catalog.*

Sleek Halogen Flushmount model F-1SLK3-25 on p. 280 of the Eurofase 2009 Illuminations Catalog.*

Bent Lite Vanity Bathbar model MH-0100 shown on p. 321 of the Eurofase 2009 Illuminations Catalog.*

Contempra Flushmount—all models shown on p. 186 of the ET2 Lighting 2007 Catalog.*

* cited by examiner

Primary Examiner — Clare E Heflin

(74) *Attorney, Agent, or Firm* — Gudrun E. Huckett

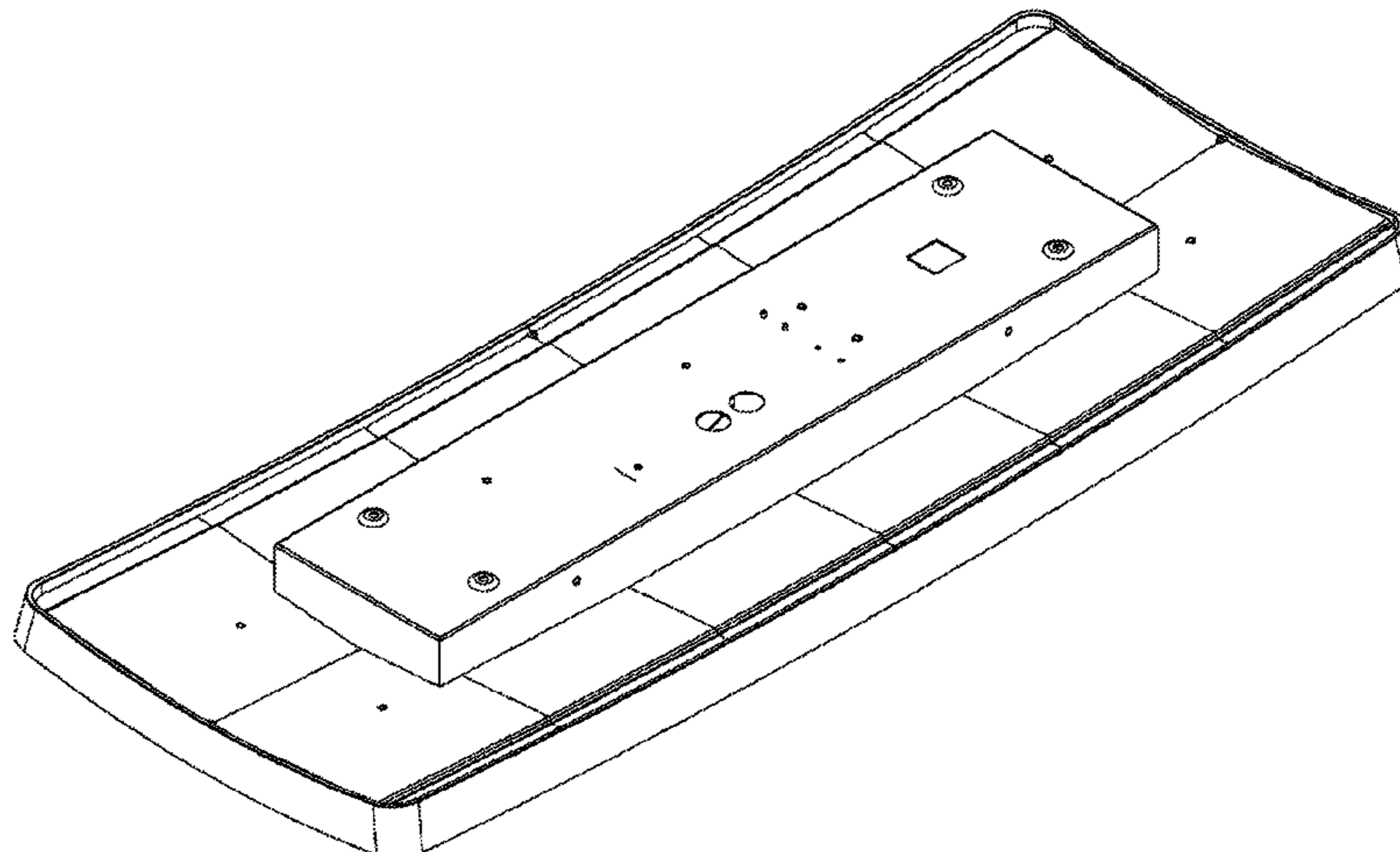
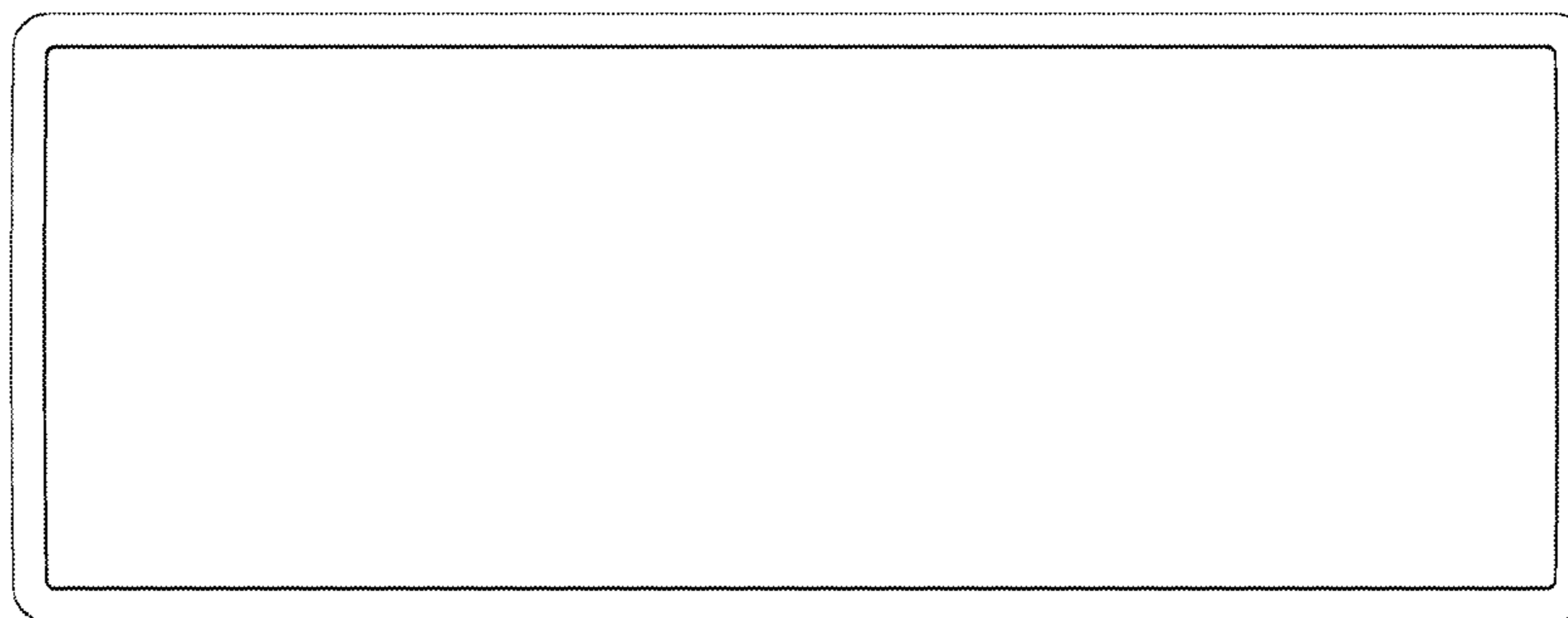
(57) **CLAIM**

The ornamental design for a rectangular lamp, as shown and described.

DESCRIPTION

FIG. 1 is a side view of my rectangular lamp;
FIG. 2 is a bottom plan view of my rectangular lamp;
FIG. 3 is another side view of my rectangular lamp;
FIG. 4 is a top plan view of my rectangular lamp;
FIG. 5 is an end view of my rectangular lamp;
FIG. 6 is another end view of my rectangular lamp; and,
FIG. 7 is a perspective top view of my rectangular lamp.

1 Claim, 7 Drawing Sheets



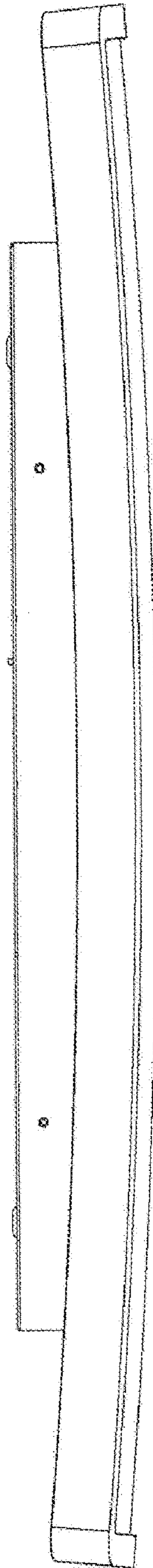


Fig. 1

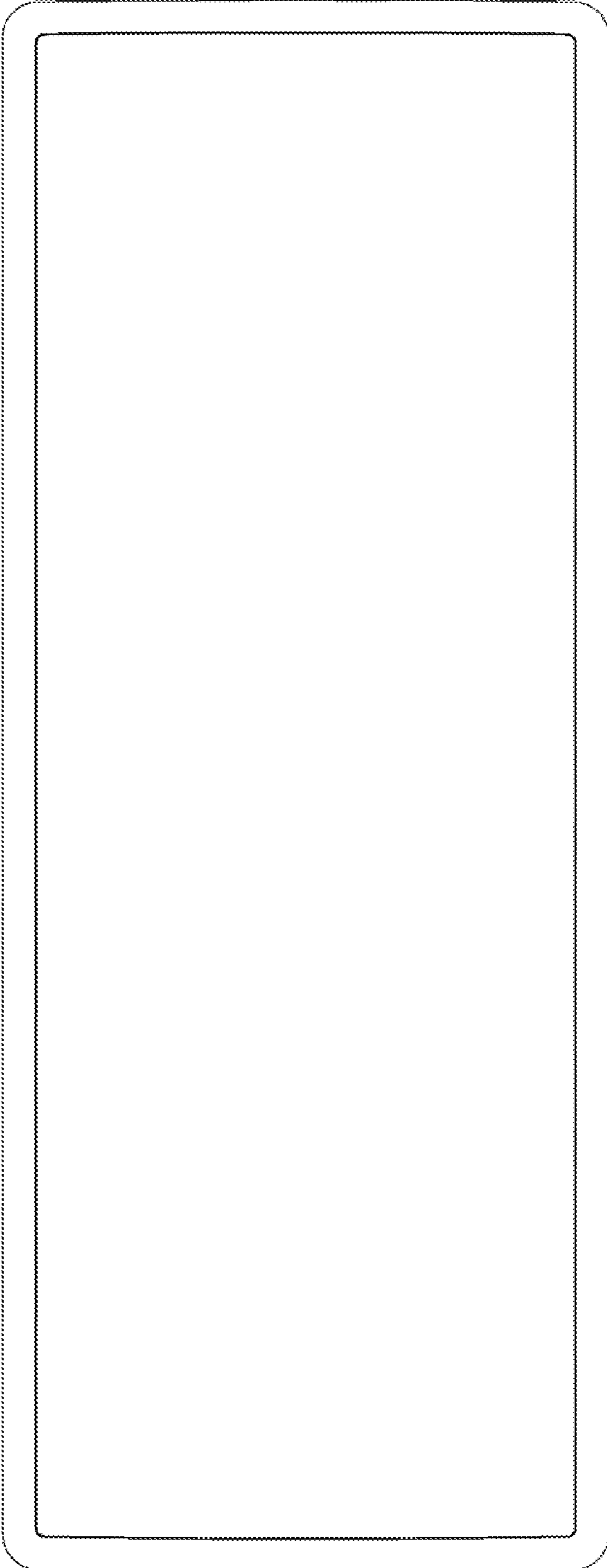


Fig. 2

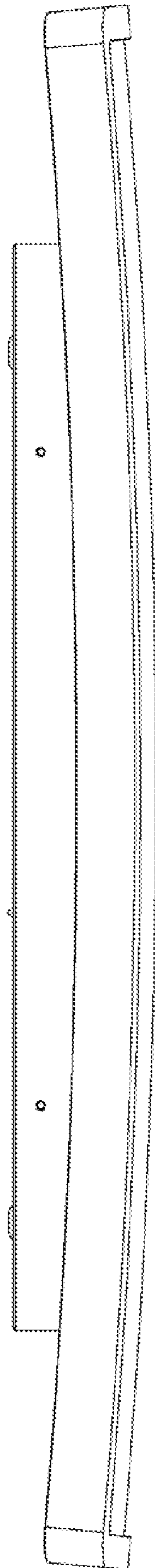


Fig. 3

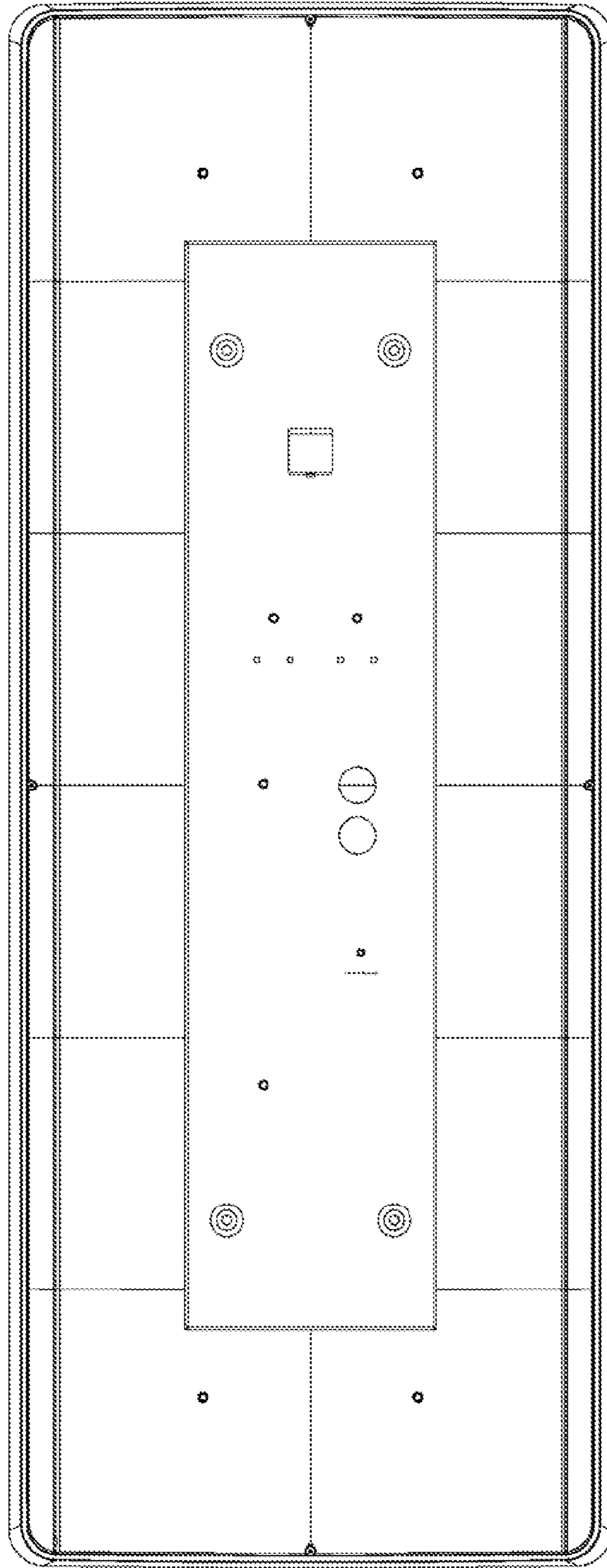


Fig. 4

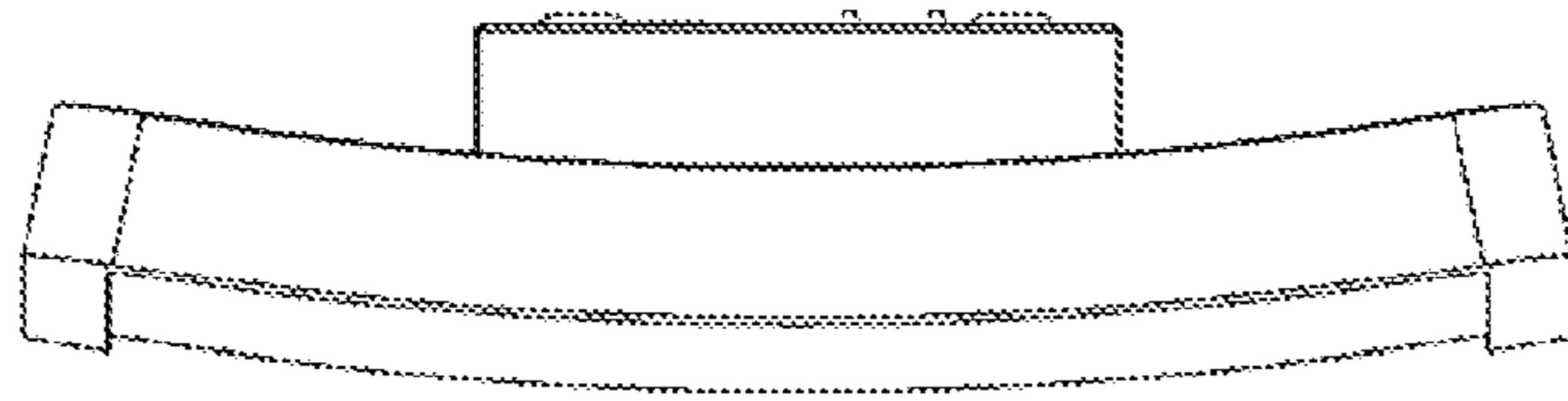


Fig. 5

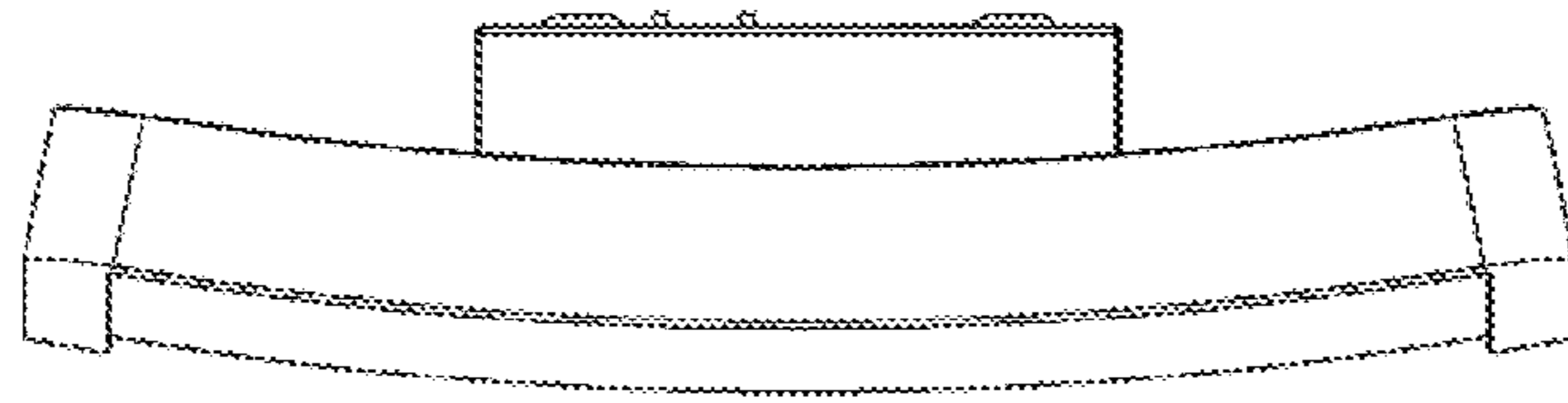


Fig. 6

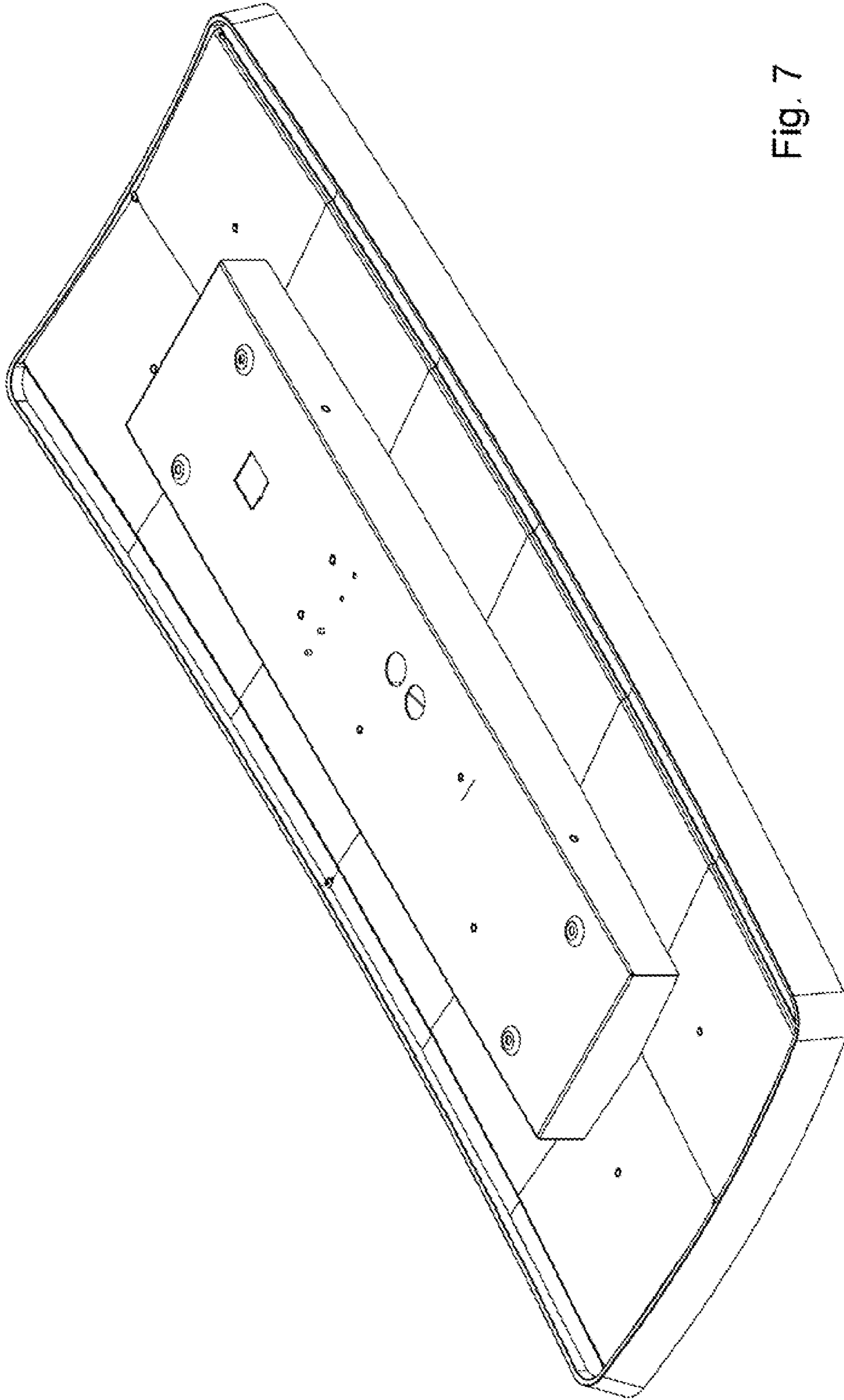


Fig. 7

UNITED STATES PATENT AND TRADEMARK OFFICE
CERTIFICATE OF CORRECTION

PATENT NO. : D641,097 S
APPLICATION NO. : 29/366176
DATED : July 5, 2011
INVENTOR(S) : Marcus Kocks

Page 1 of 1

It is certified that error appears in the above-identified patent and that said Letters Patent is hereby corrected as shown below:

ON THE TITLE PAGE:

Insert Item --(30) Foreign Application Priority Data
Jan. 21, 2010 (DE) 40 2010 000 327--

Signed and Sealed this
Seventh Day of August, 2012

A handwritten signature in black ink that reads "David J. Kappos". The signature is written in a cursive, slightly slanted style.

David J. Kappos
Director of the United States Patent and Trademark Office