



US00D641095S

(12) **United States Design Patent**
Yao et al.

(10) **Patent No.:** **US D641,095 S**
(45) **Date of Patent:** **** Jul. 5, 2011**

(54) **STREET LAMP**

(75) Inventors: **Shanliang Yao**, Foshan (CN); **Botao Wu**, Foshan (CN)

(73) Assignee: **Foshan Nationstar Optoelectronics Co., Ltd**, FoShan, GuangDong (CN)

(**) Term: **14 Years**

(21) Appl. No.: **29/369,187**

(22) Filed: **Sep. 3, 2010**

(30) **Foreign Application Priority Data**

Mar. 8, 2010 (CN) 2010 3 0117587

(51) **LOC (9) Cl.** **26-05**

(52) **U.S. Cl.** **D26/71; D26/92**

(58) **Field of Classification Search** D26/63,
D26/67-71, 85, 92, 107; 362/145, 183, 231,
362/240, 249.02, 249.03, 249.04, 249.06,
362/249.16, 373, 431, 432

See application file for complete search history.

(56) **References Cited**

U.S. PATENT DOCUMENTS

D177,916 S * 6/1956 Keck et al. D26/145
3,050,620 A * 8/1962 Schlosser et al. 362/431

D205,411 S * 8/1966 Pettengill D26/71
D221,799 S * 9/1971 Johnson D26/107
D456,926 S * 5/2002 Gaskins et al. D26/71
D500,877 S * 1/2005 Sonneman D26/71
D557,853 S * 12/2007 Sandell D26/71
D570,769 S * 6/2008 Holin D13/102
D571,496 S * 6/2008 Lenz D26/68
D573,743 S * 7/2008 Yan et al. D26/71
D616,136 S * 5/2010 Lavallee D26/71
D620,170 S * 7/2010 Schwartz et al. D26/71
D628,333 S * 11/2010 Bretschneider D26/71

* cited by examiner

Primary Examiner — Clare E Heflin

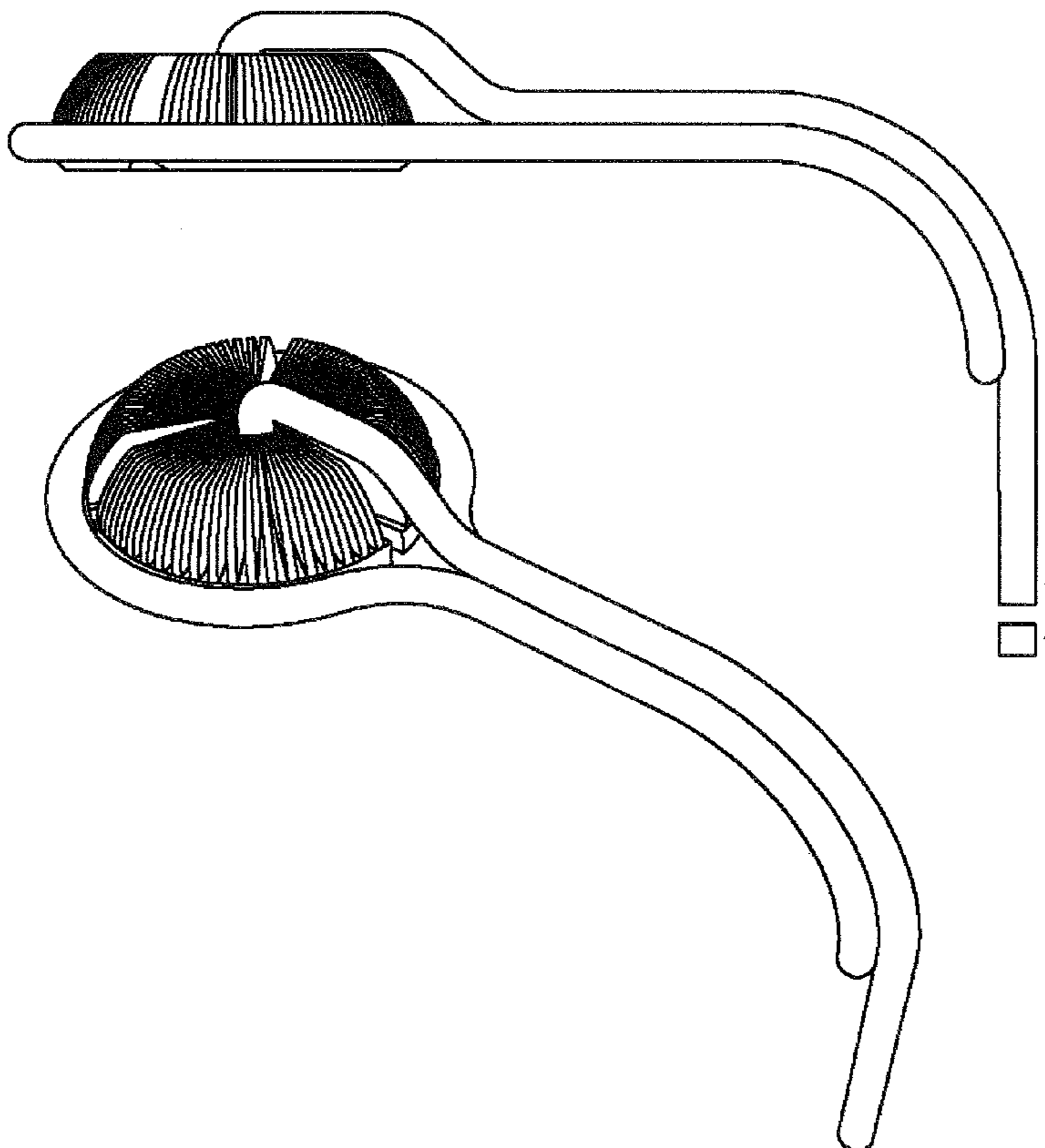
(57) **CLAIM**

The ornamental design for a street lamp, as shown and described.

DESCRIPTION

FIG. 1 is a rear view of the street lamp;
FIG. 2 is a front view of the street lamp;
FIG. 3 is a top view of the street lamp;
FIG. 4 is a bottom view of the street lamp;
FIG. 5 is a left view of the street lamp;
FIG. 6 is a right view of the street lamp; and,
FIG. 7 is a prospective view of the street lamp.
The vertical support is shown broken-away to show no specific length.

1 Claim, 2 Drawing Sheets



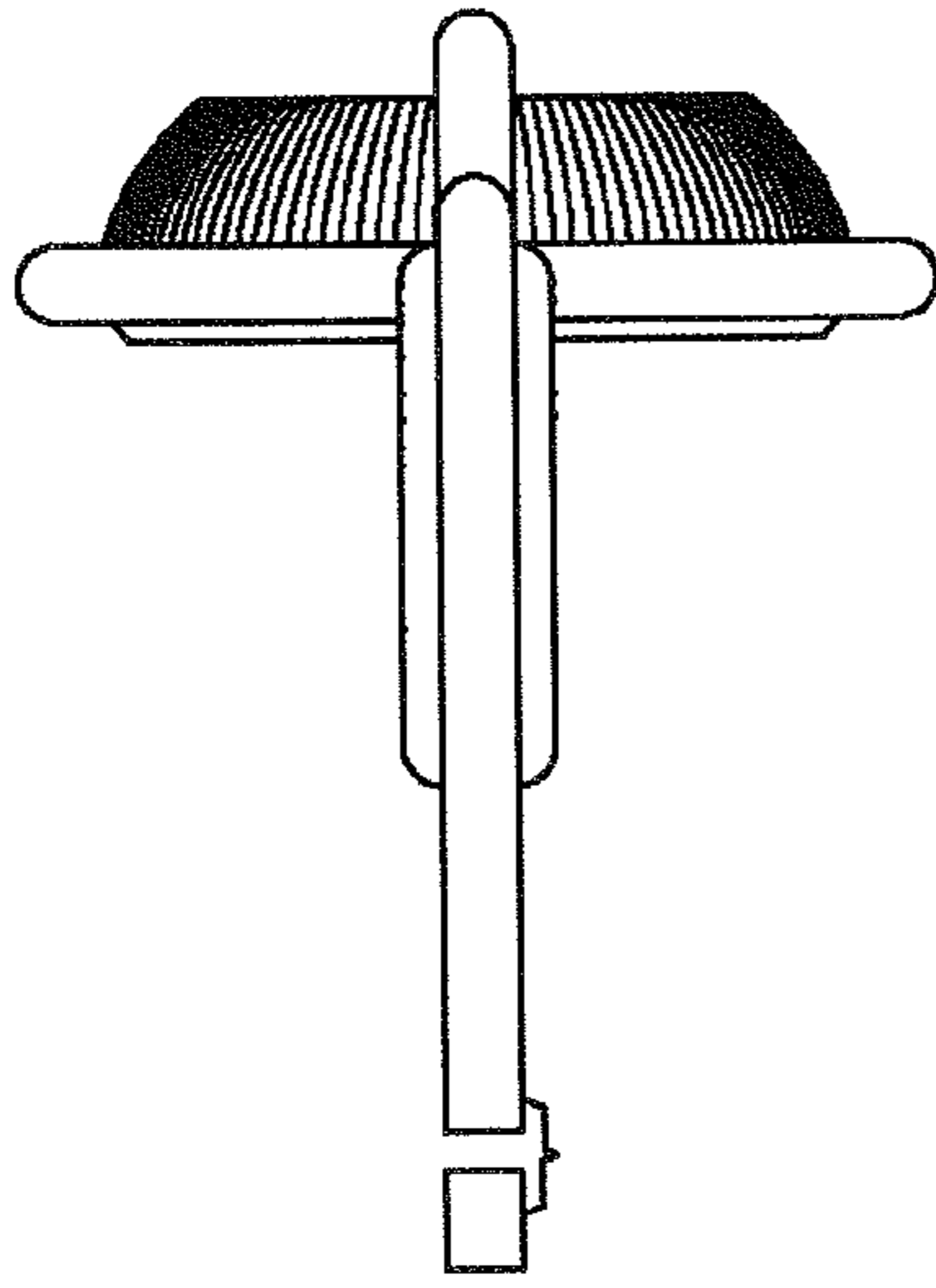


Fig. 1

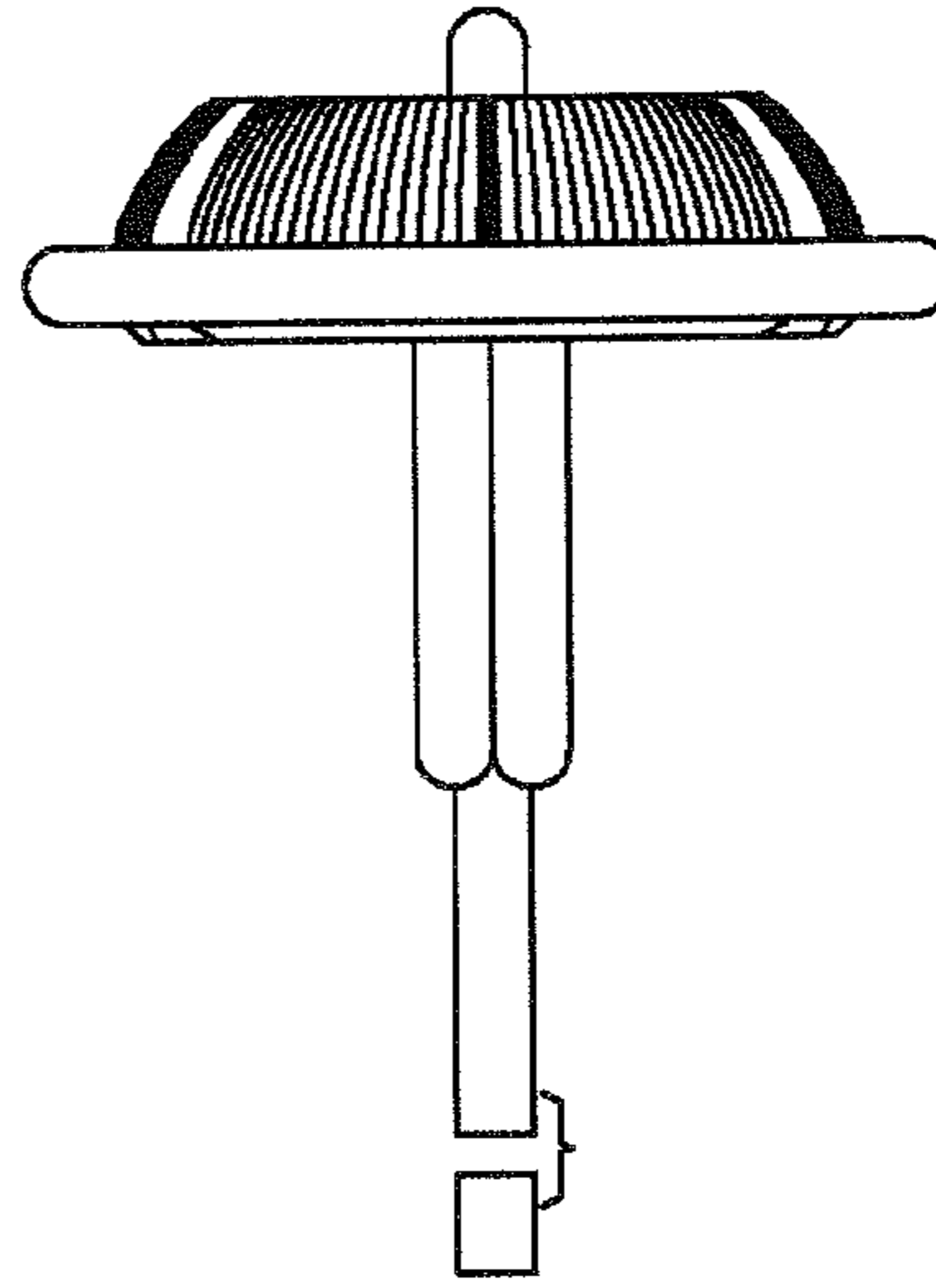


Fig. 2

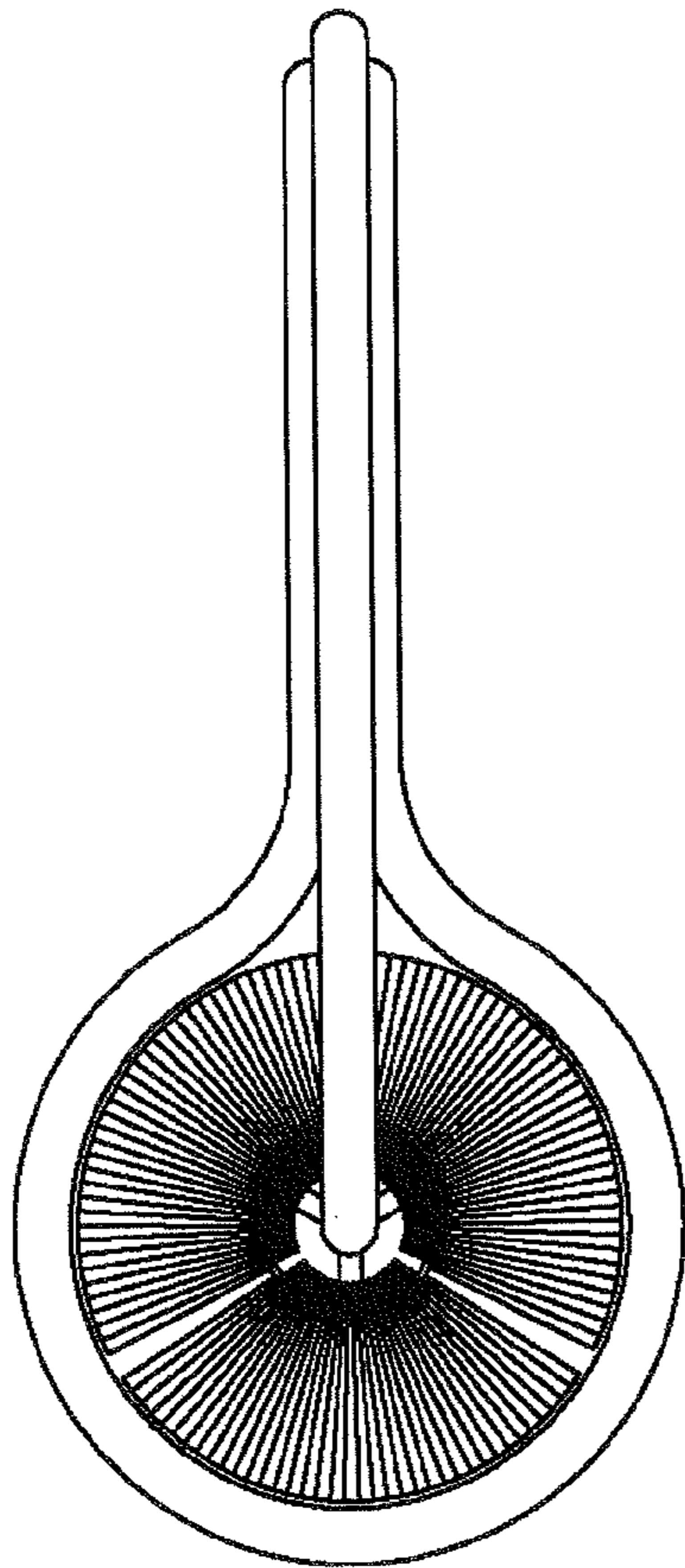


Fig. 3

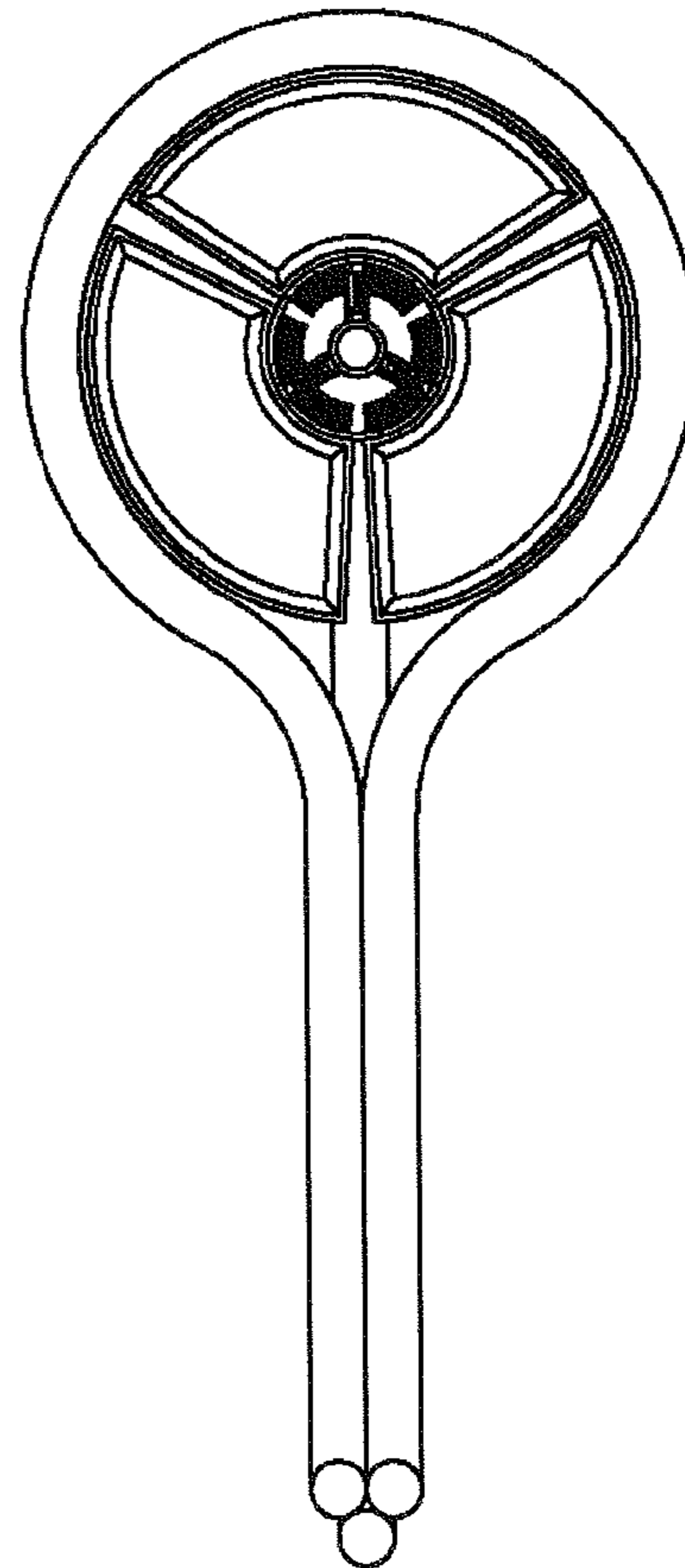


Fig. 4

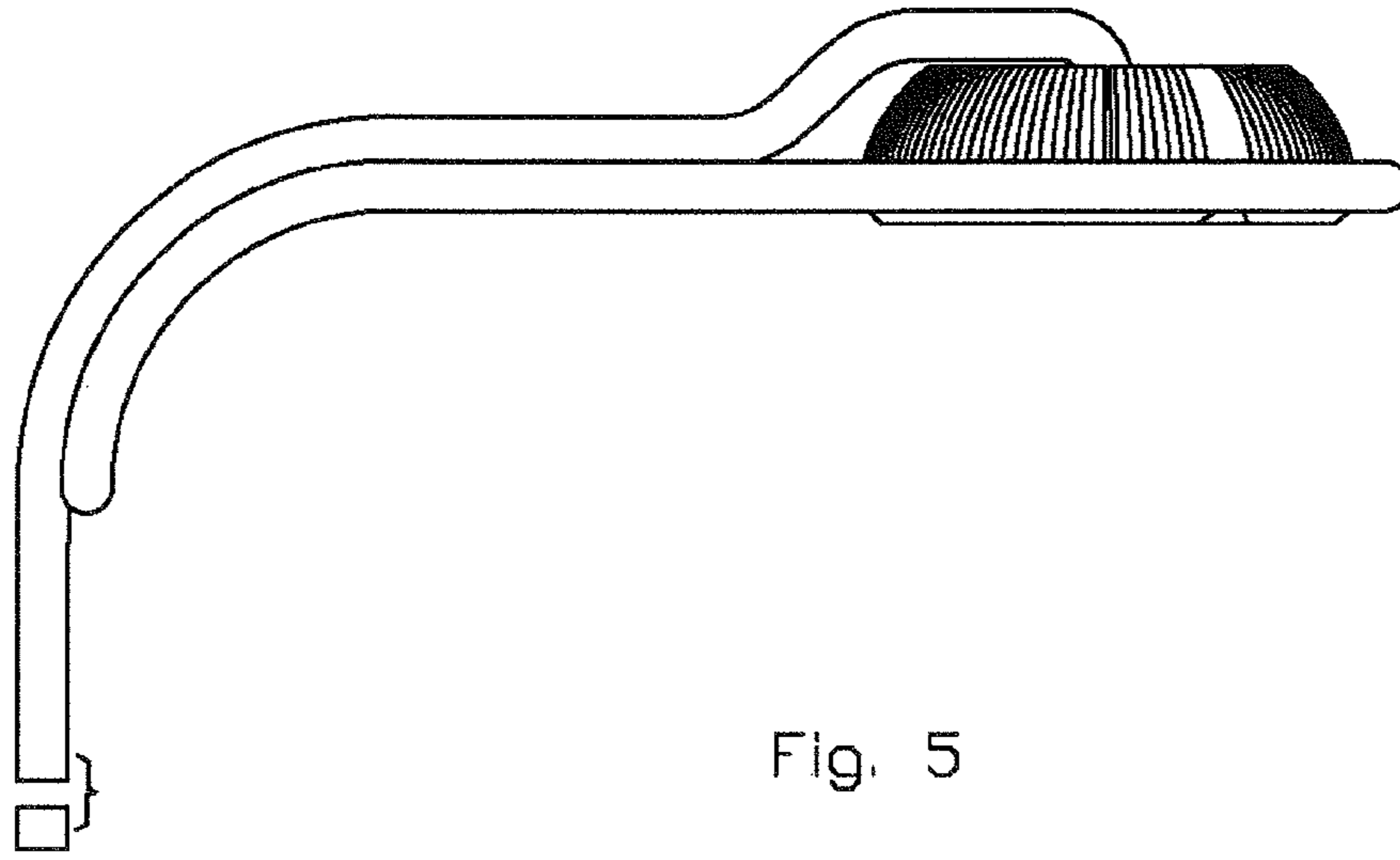


Fig. 5

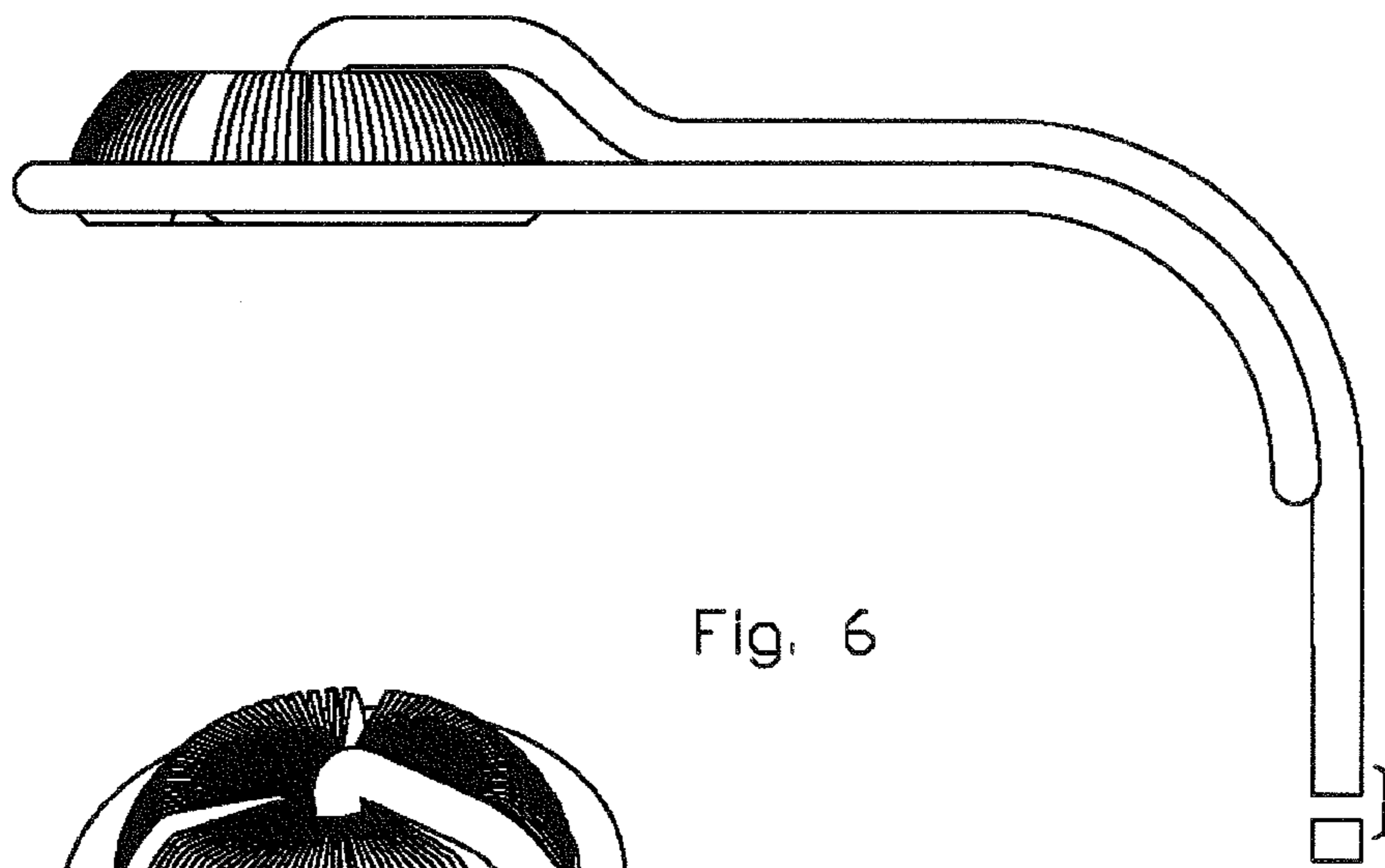


Fig. 6

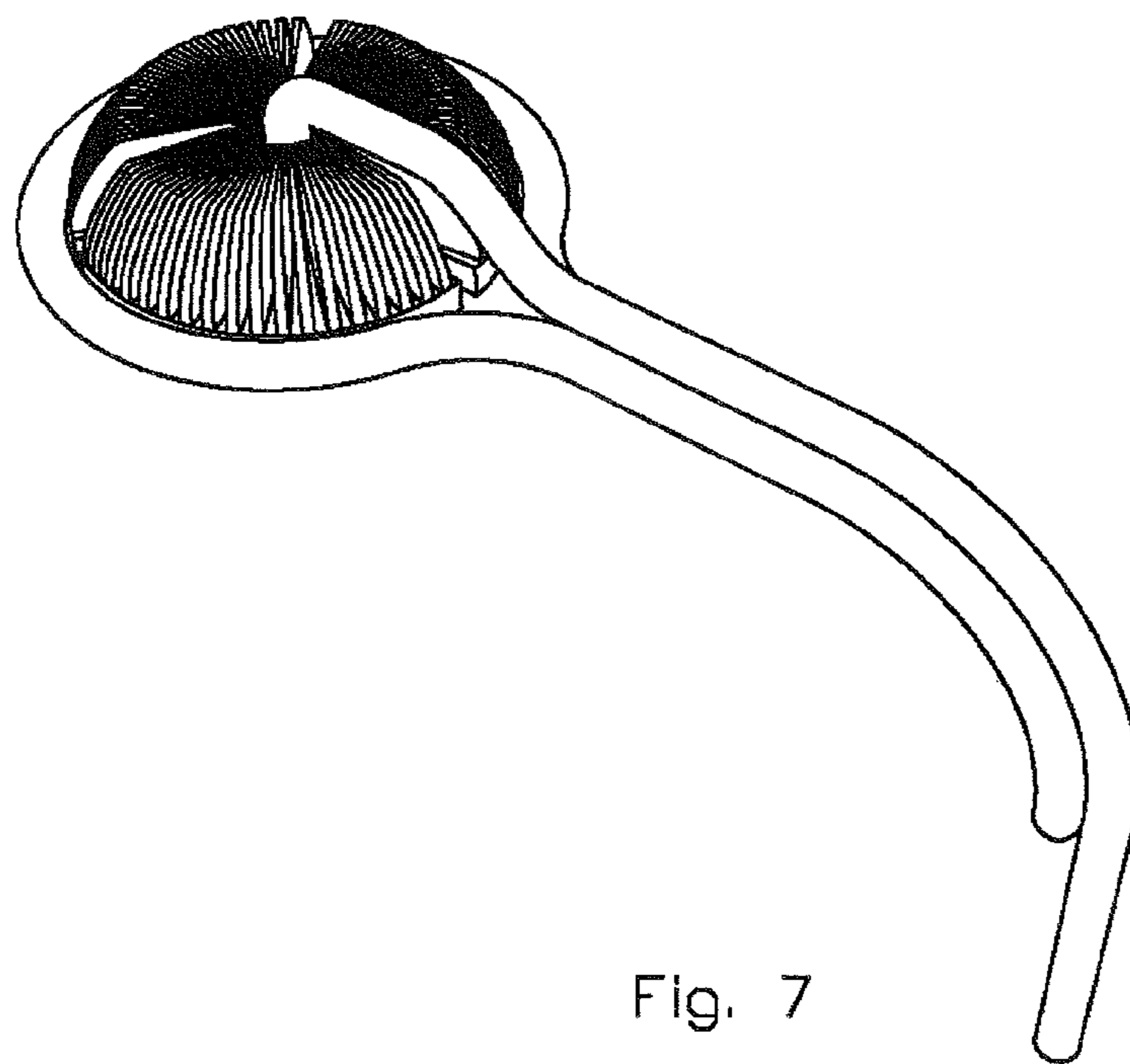


Fig. 7