



US00D641093S

(12) **United States Design Patent**
Kidman

(10) **Patent No.:** **US D641,093 S**

(45) **Date of Patent:** **** Jul. 5, 2011**

(54) **FLASHLIGHT**

(76) Inventor: **Brent L. Kidman**, Provo, UT (US)

(**) Term: **14 Years**

(21) Appl. No.: **29/357,820**

(22) Filed: **Mar. 17, 2010**

(51) **LOC (9) Cl.** **26-02**

(52) **U.S. Cl.** **D26/49; D26/42**

(58) **Field of Classification Search** D26/37,
D26/38, 46, 48, 49, 50, 51; 362/157, 158,
362/183, 184, 187, 190, 194-198, 202-208
See application file for complete search history.

(56) **References Cited**

U.S. PATENT DOCUMENTS

D505,217 S *	5/2005	Bayat et al.	D26/42
D538,456 S *	3/2007	Trigiani et al.	D26/42
D567,977 S *	4/2008	Jianwei	D26/42
D567,978 S *	4/2008	Jianwei	D26/42
D568,515 S *	5/2008	Liu	D26/49
D570,511 S *	6/2008	Shiu	D26/49
D577,452 S *	9/2008	Shiu	D26/49
D593,695 S *	6/2009	Levine	D26/42

D600,384 S *	9/2009	Chen	D26/49
D601,737 S *	10/2009	Swan	D26/49
D620,627 S *	7/2010	Kovacik et al.	D26/42

* cited by examiner

Primary Examiner — Ian Simmons

Assistant Examiner — Carissas C Fitts

(74) *Attorney, Agent, or Firm* — Pate Baird, PLLC

(57) **CLAIM**

The ornamental design for a flashlight, as shown and described.

DESCRIPTION

FIG. 1 is a frontal perspective view of a flashlight showing my new design;

FIG. 2 is a rear perspective view thereof;

FIG. 3 is a top plan view thereof;

FIG. 4, is a bottom plan view thereof;

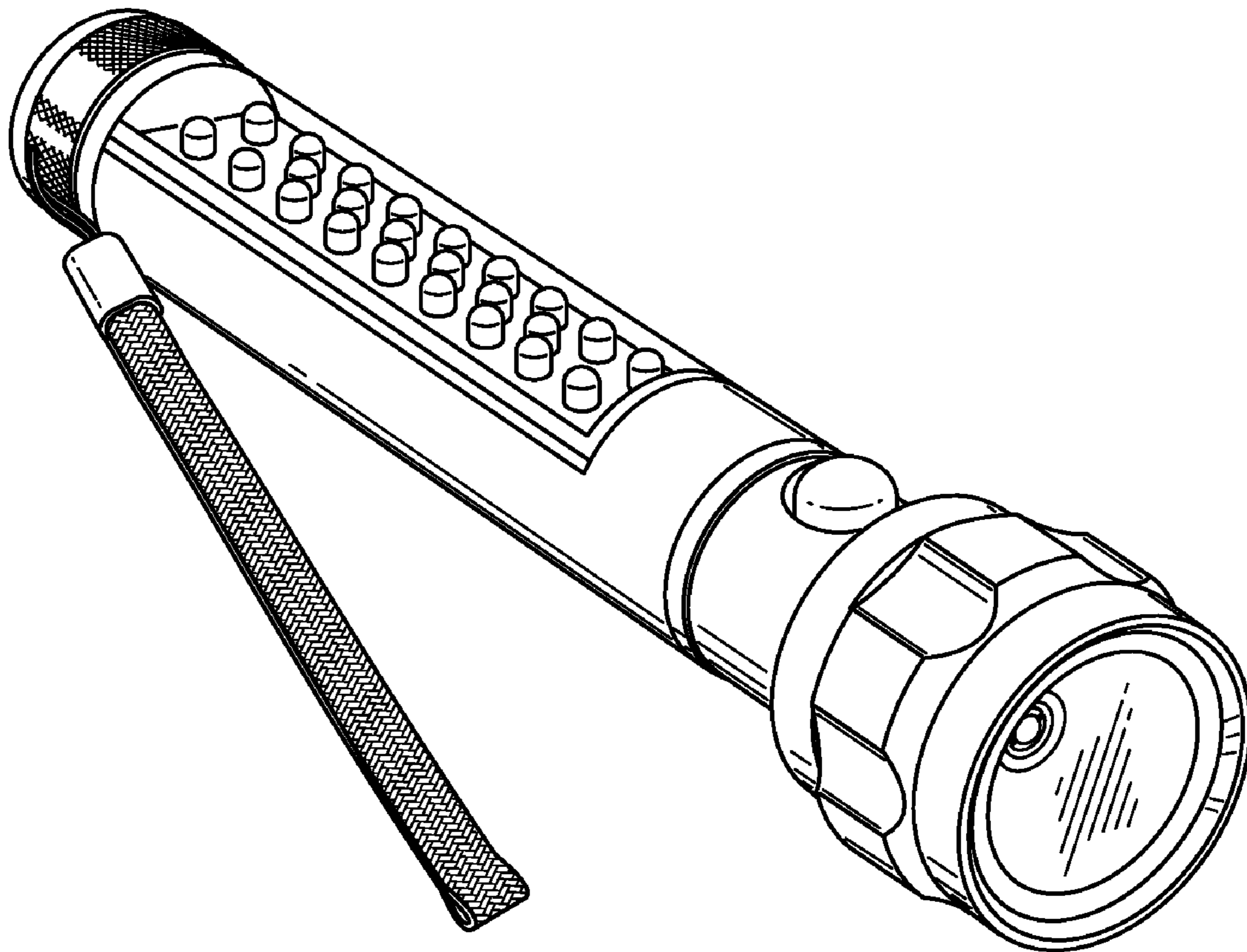
FIG. 5 is a left side elevation view thereof;

FIG. 6 is a right side elevation view thereof;

FIG. 7 is a front end elevation view thereof; and,

FIG. 8 is a back end elevation view thereof.

1 Claim, 3 Drawing Sheets



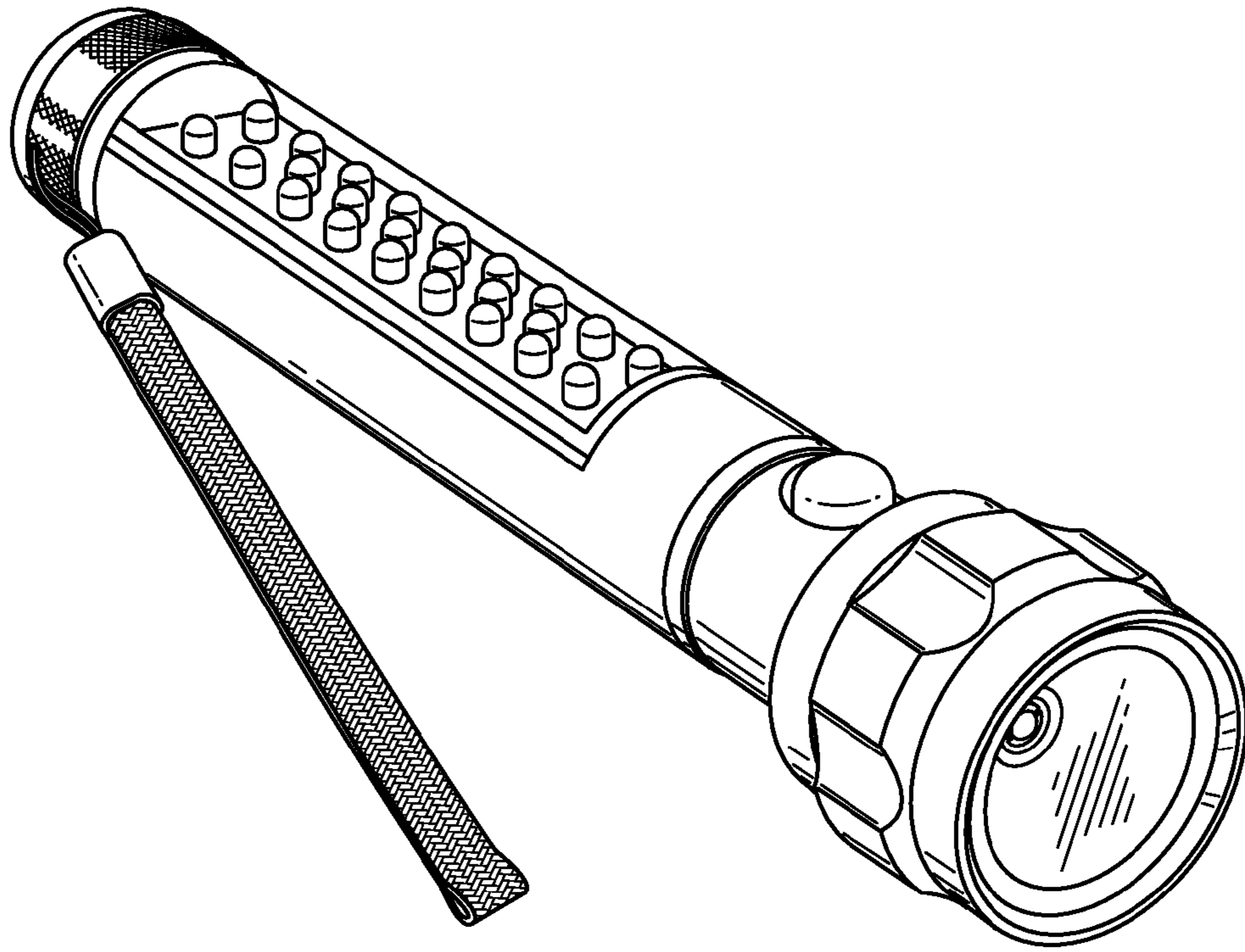


FIG. 1

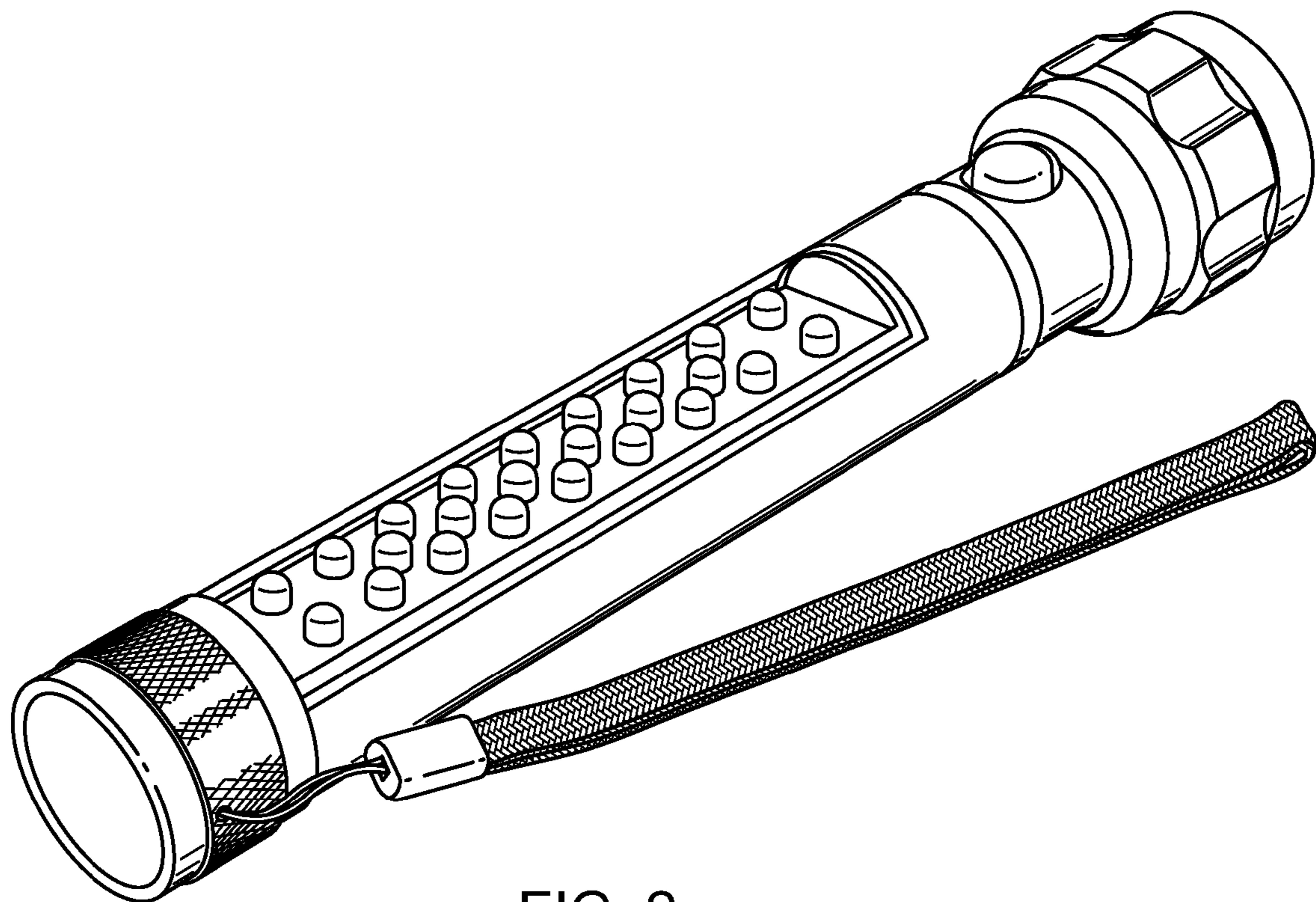


FIG. 2

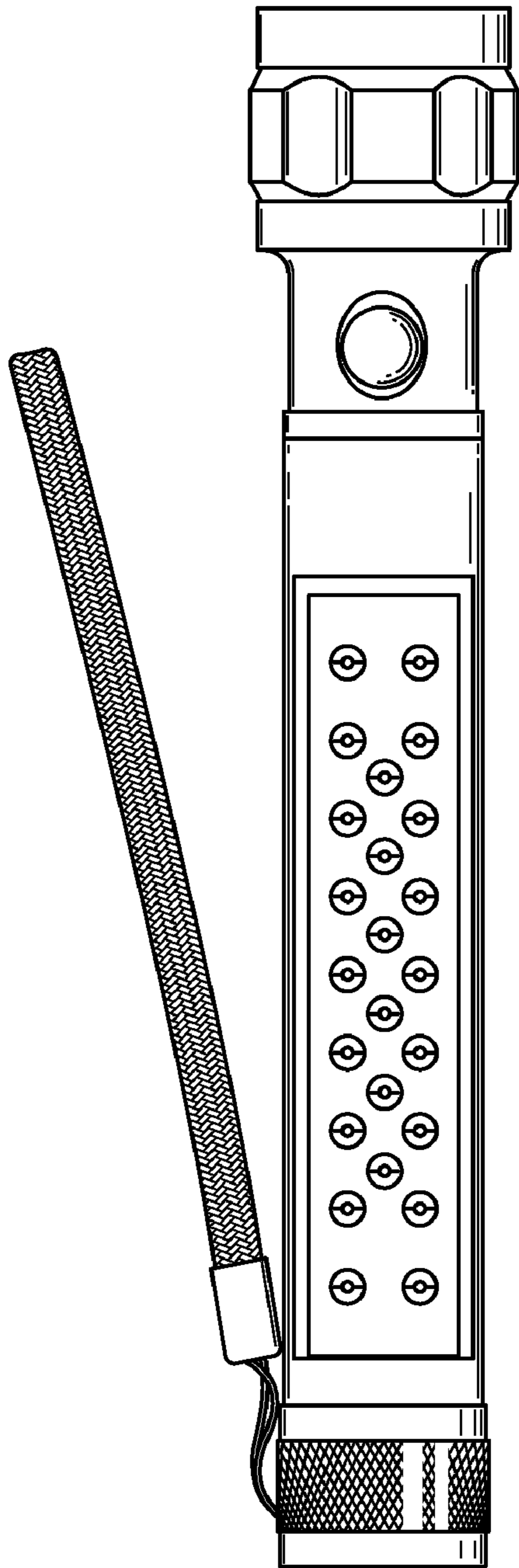


FIG. 3

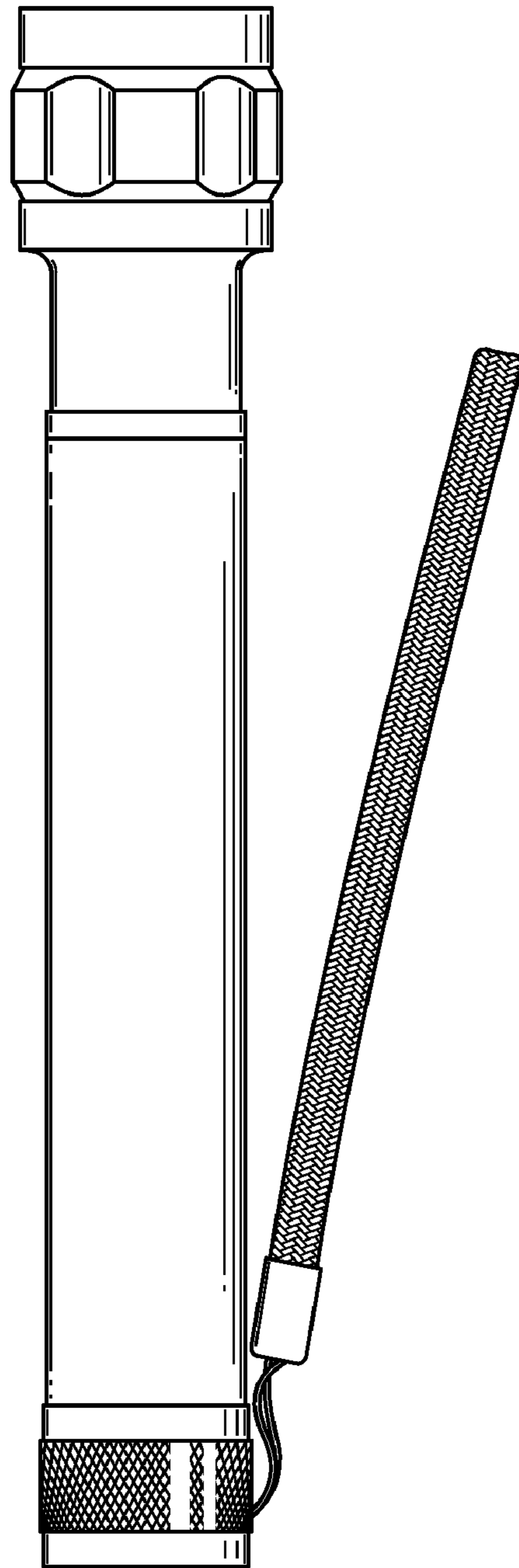


FIG. 4

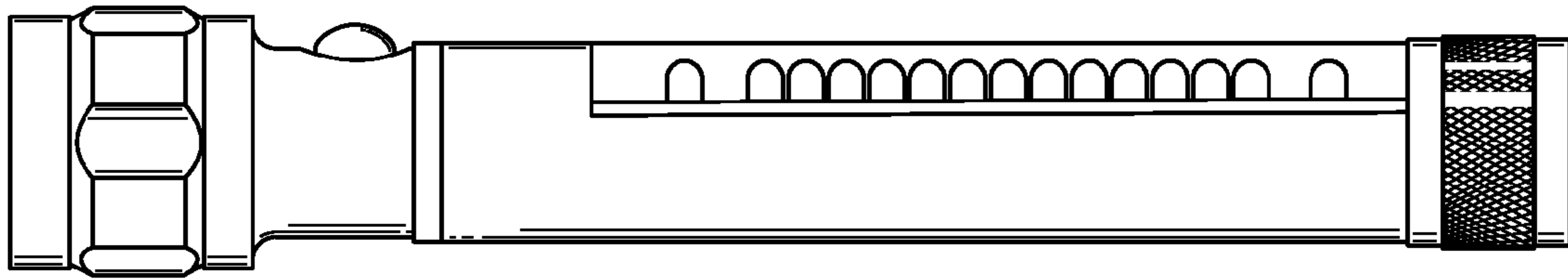


FIG. 5

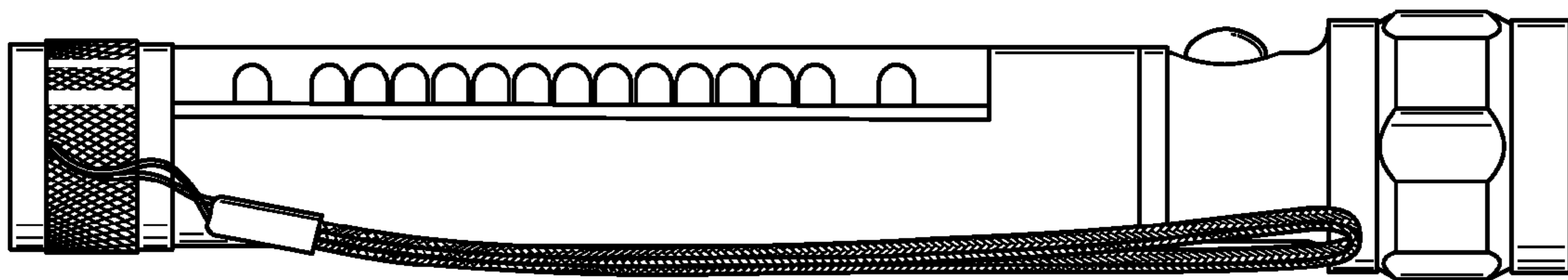


FIG. 6

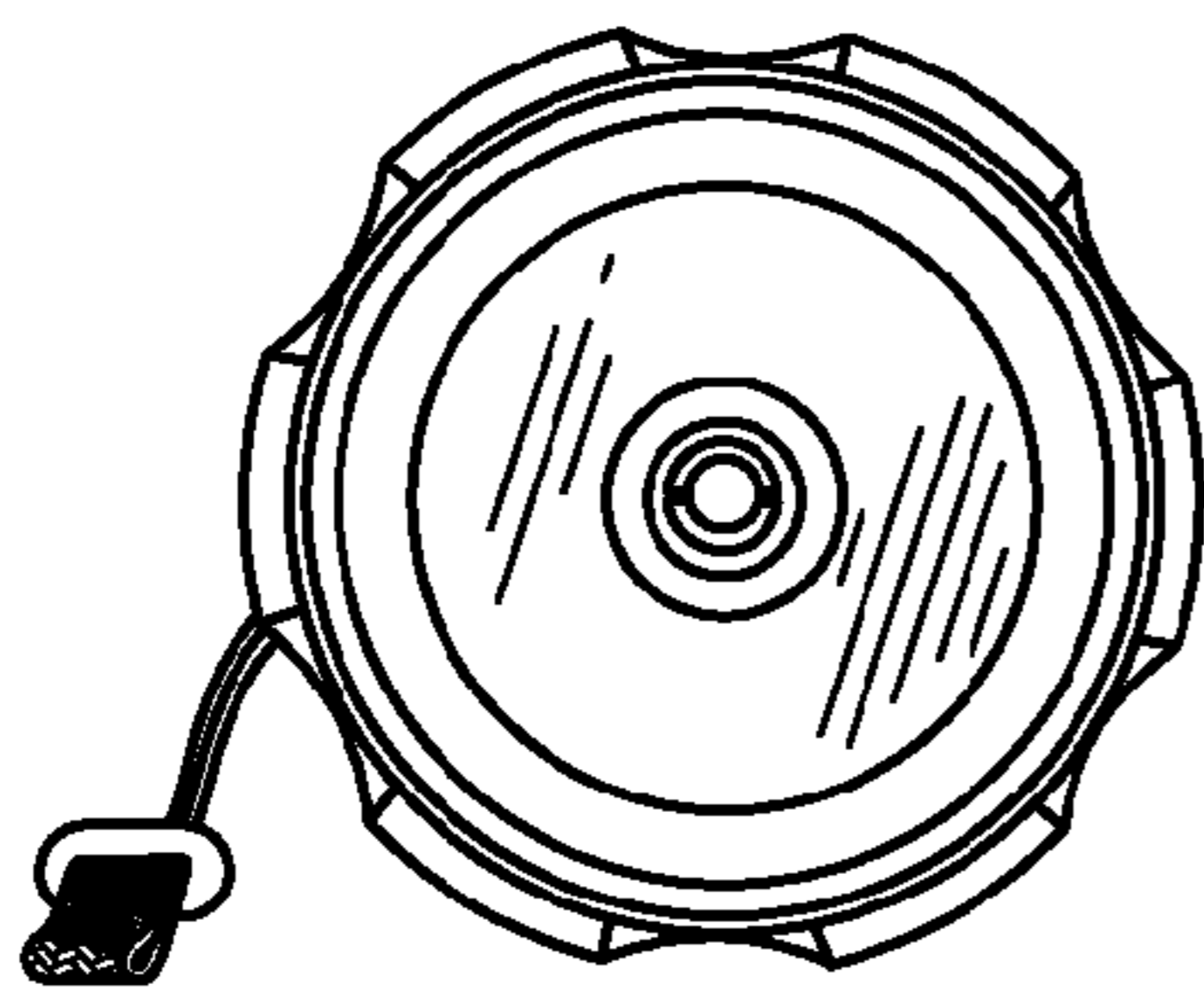


FIG. 7

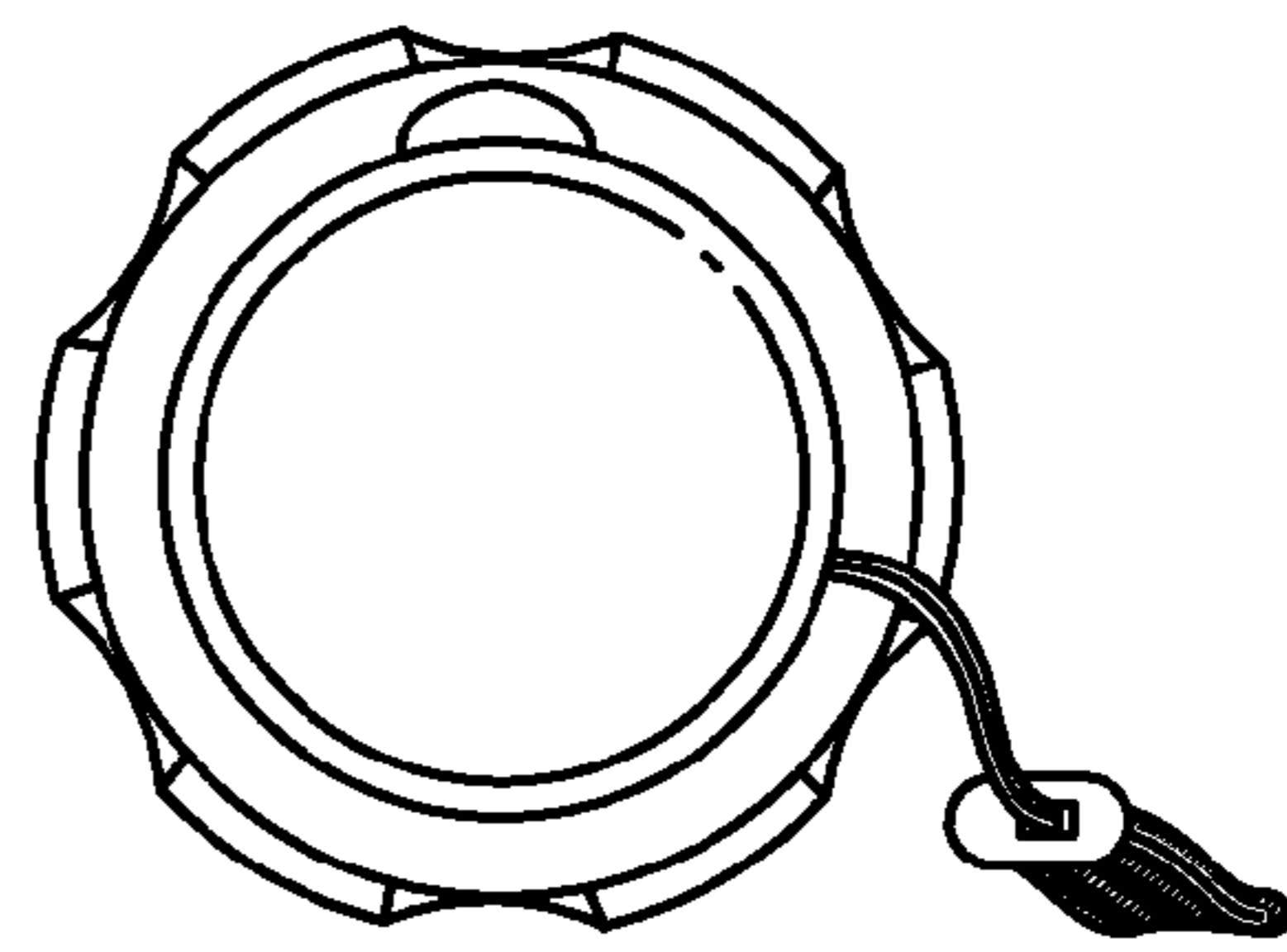


FIG. 8