



US00D641092S

(12) **United States Design Patent**
Okuda

(10) **Patent No.:** **US D641,092 S**

(45) **Date of Patent:** **** Jul. 5, 2011**

(54) **LAMP FOR A BICYCLE**

(75) Inventor: **Yoji Okuda**, Osaka (JP)

(73) Assignee: **Cateye Co., Ltd.**, Osaka (JP)

(**) Term: **14 Years**

(21) Appl. No.: **29/370,748**

(22) Filed: **Aug. 30, 2010**

(30) **Foreign Application Priority Data**

Mar. 11, 2010 (JP) 2010-005982

(51) **LOC (9) Cl.** **26-06**

(52) **U.S. Cl.** **D26/28**

(58) **Field of Classification Search** D26/28-36;
362/459-468, 475-478, 485-487

See application file for complete search history.

(56) **References Cited**

U.S. PATENT DOCUMENTS

D540,966 S * 4/2007 Ueda et al. D26/28

D541,447 S * 4/2007 Ueda et al. D26/28
D560,833 S * 1/2008 Ueda et al. D26/28
D560,834 S * 1/2008 Nagano D26/28
D605,791 S * 12/2009 Huschke D26/28
D611,173 S * 3/2010 McKechnie D26/28

* cited by examiner

Primary Examiner — Marcus Jackson

(74) *Attorney, Agent, or Firm* — Olson & Cepuritis, Ltd.

(57) **CLAIM**

The ornamental design for a lamp for a bicycle, as shown.

DESCRIPTION

FIG. 1 is a front view of a lamp for a bicycle showing my new design;

FIG. 2 is a rear view thereof;

FIG. 3 is a top plan view thereof;

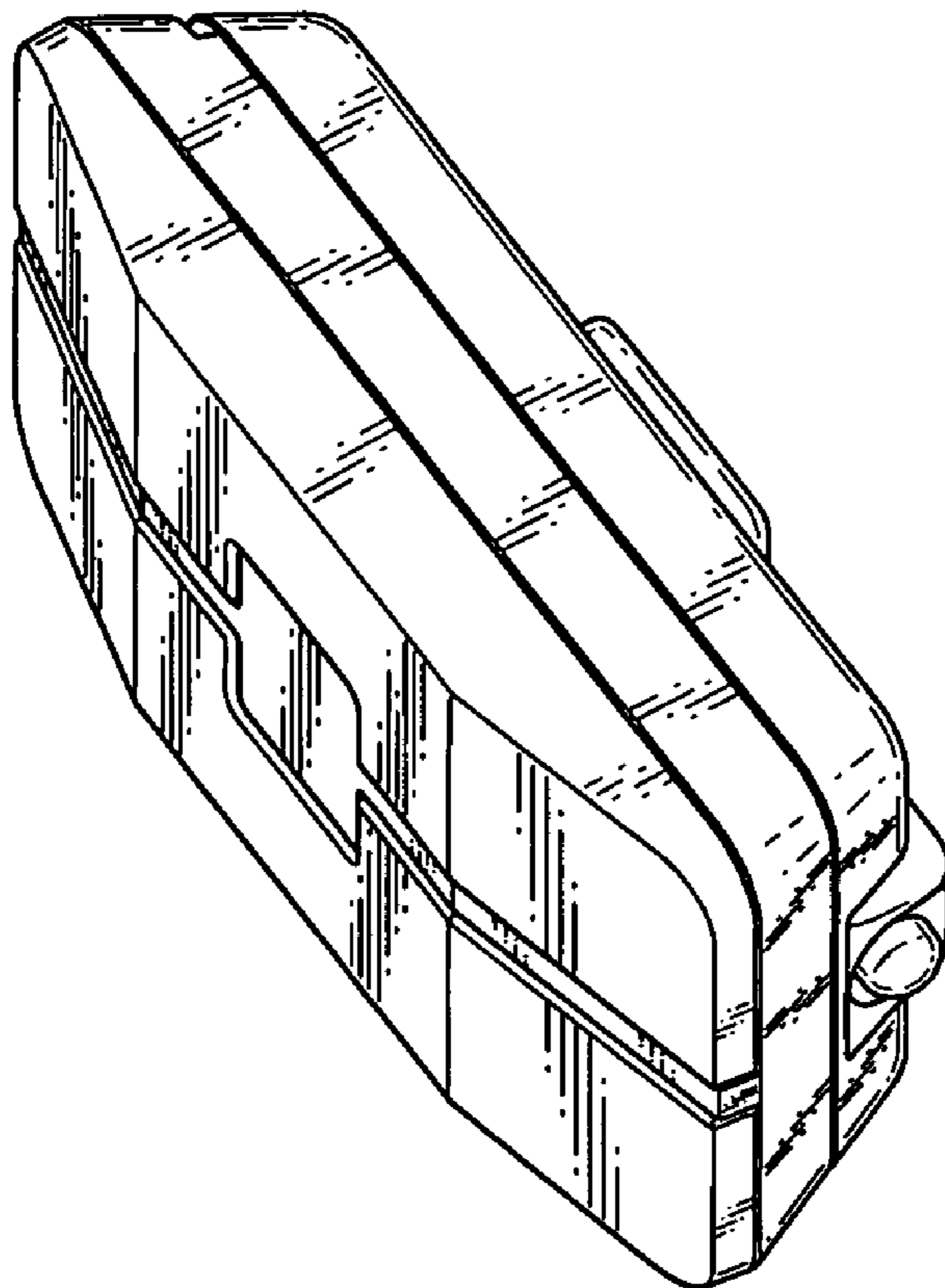
FIG. 4 is a bottom plan view thereof;

FIG. 5 is a right side view thereof;

FIG. 6 is a left side view thereof; and,

FIG. 7 is a perspective view thereof.

1 Claim, 4 Drawing Sheets



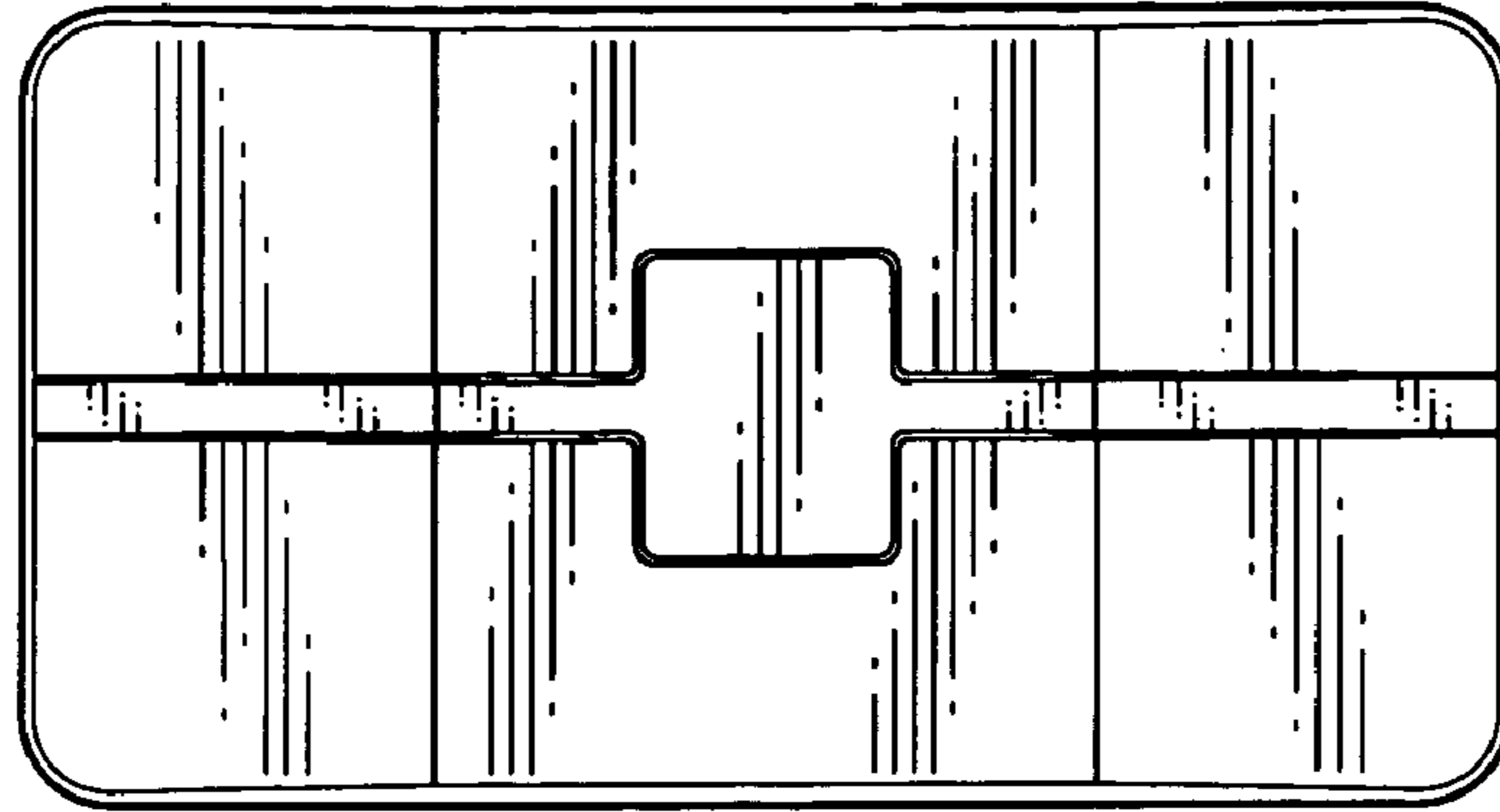


Fig. 1

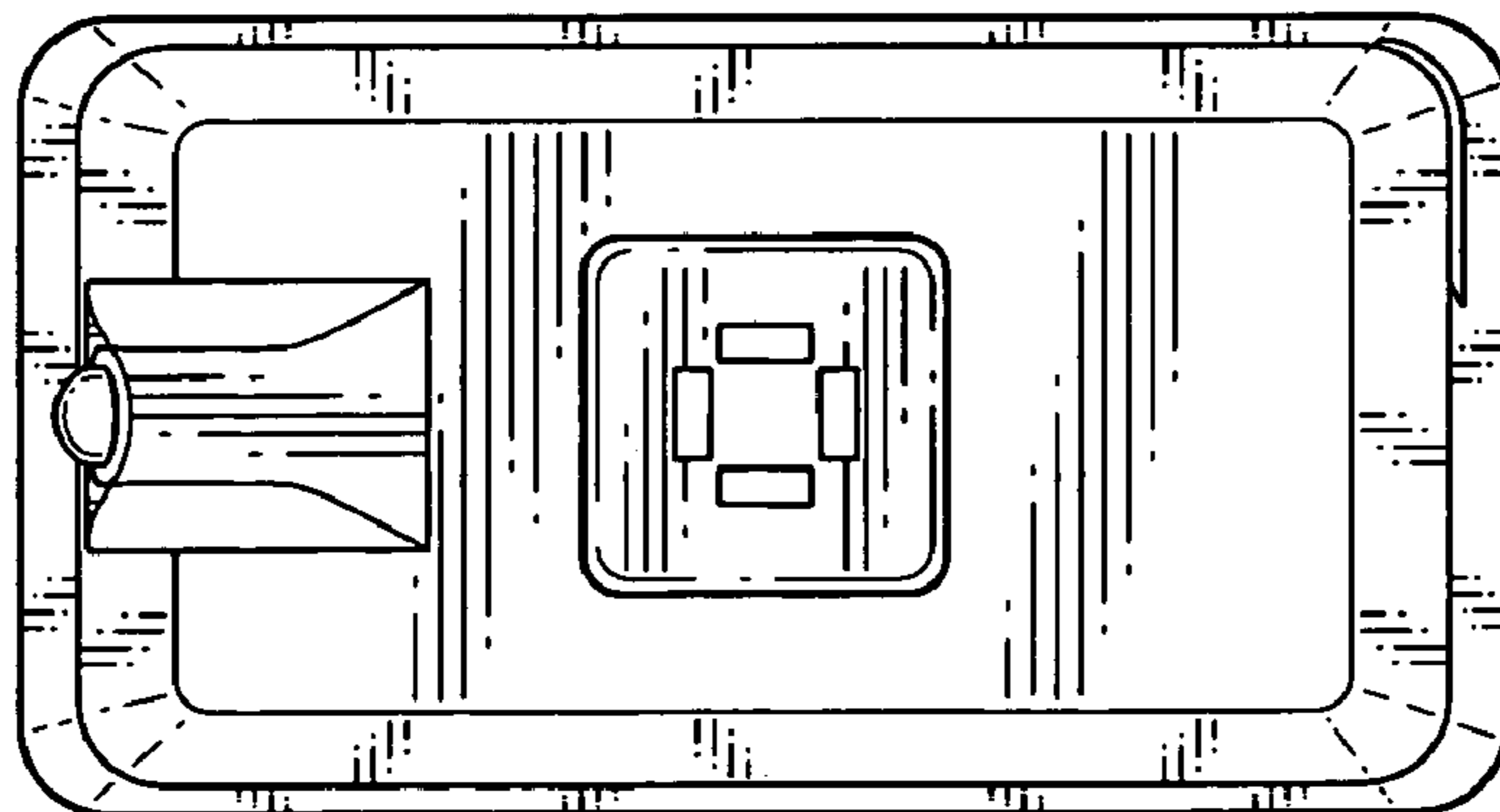


Fig. 2

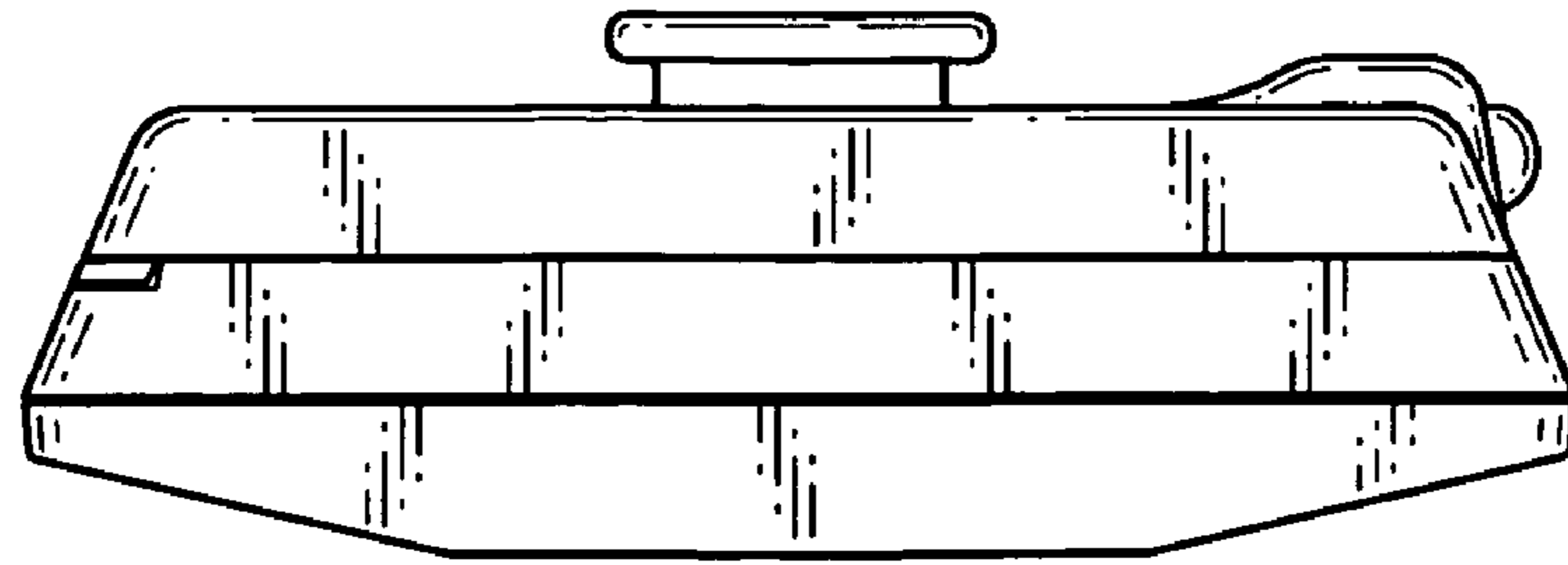


Fig. 3

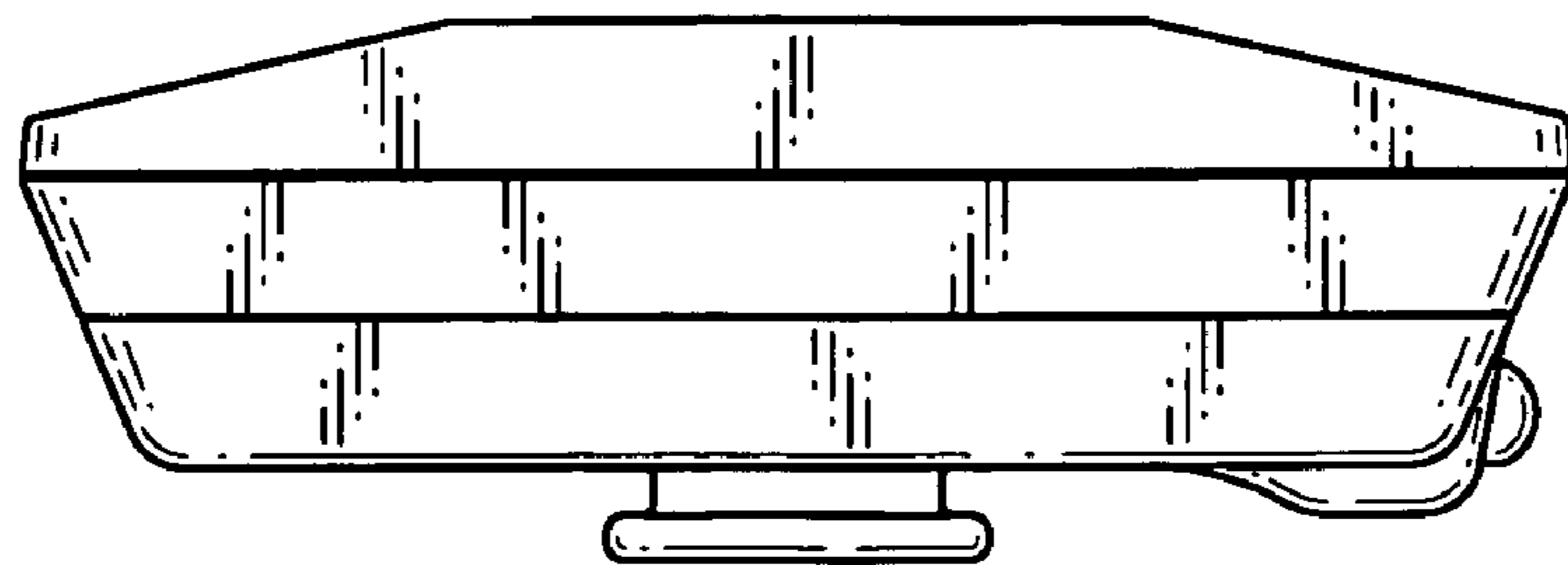


Fig. 4

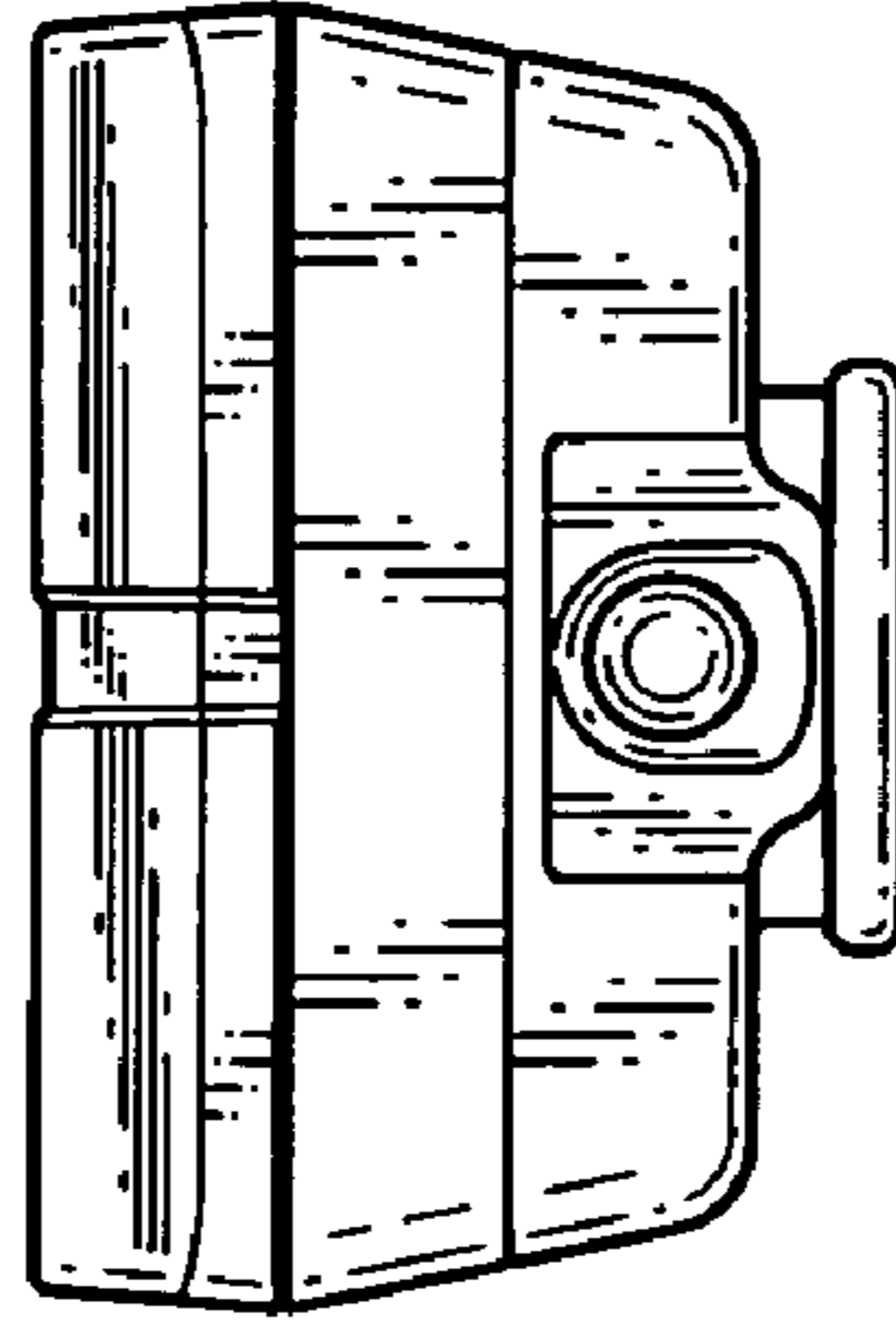


Fig. 5

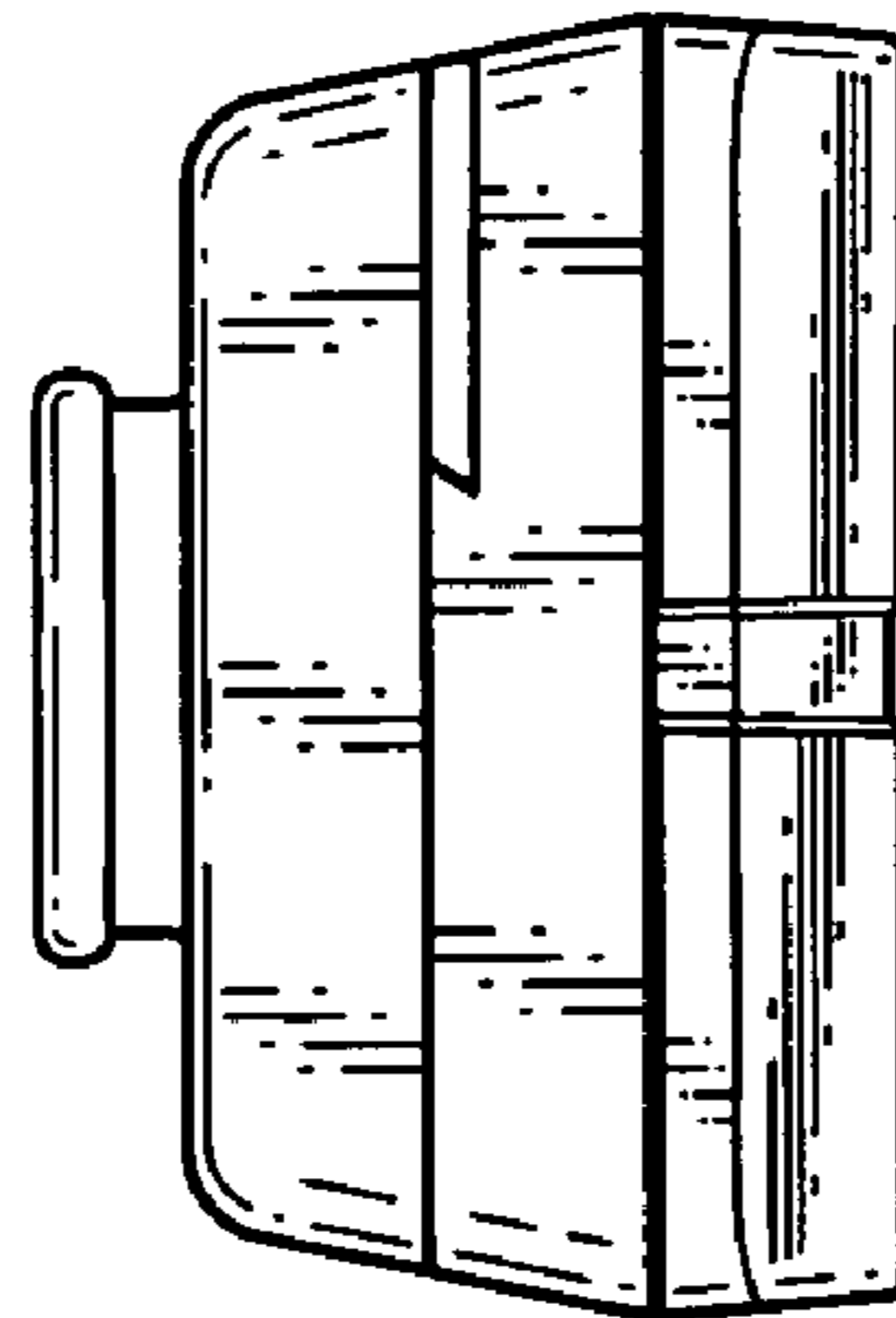


Fig. 6

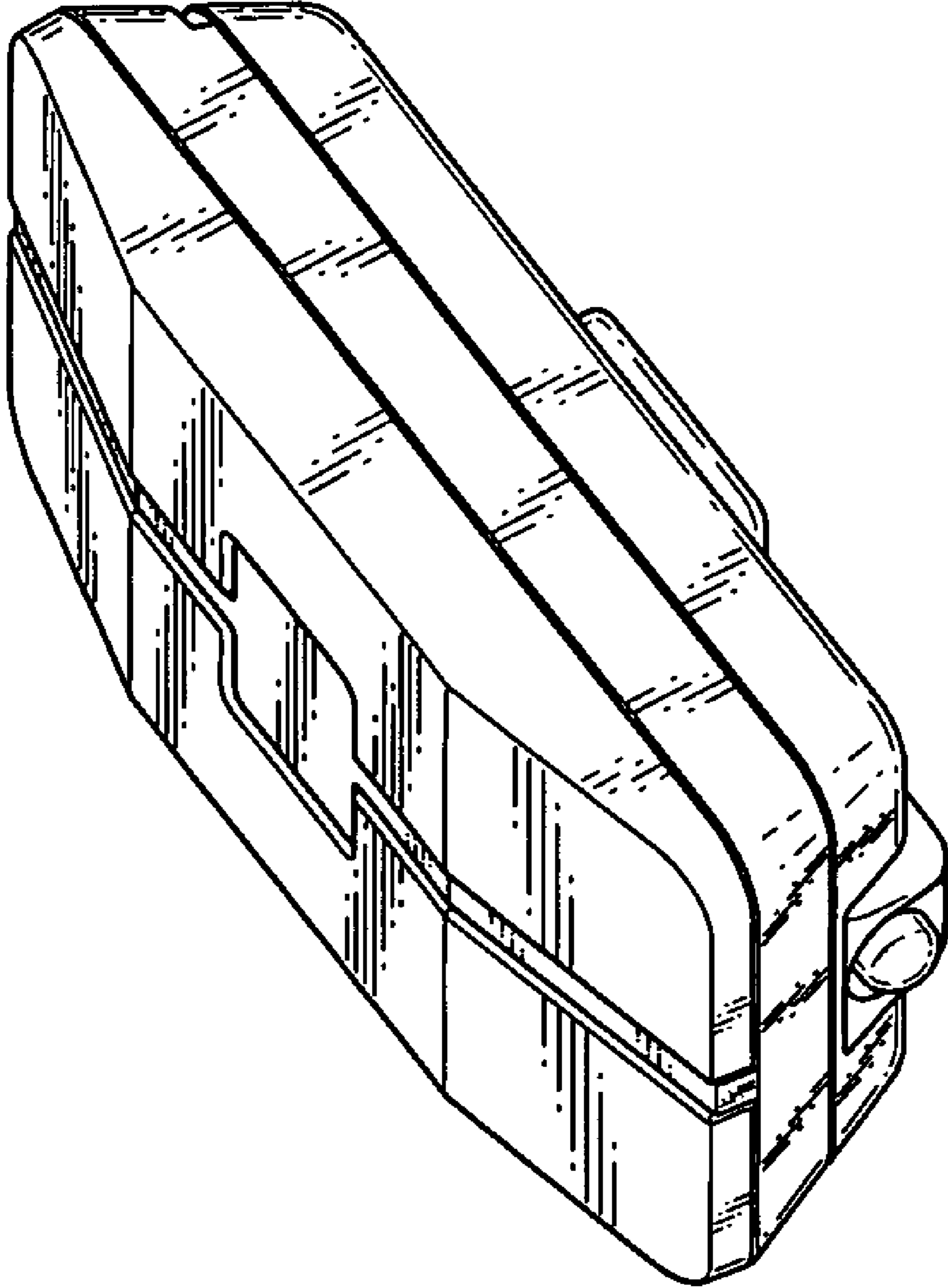


Fig. 7