



US00D641090S

(12) **United States Design Patent**
Clark

(10) **Patent No.:** **US D641,090 S**

(45) **Date of Patent:** **** Jul. 5, 2011**

(54) **PORTABLE CABIN**

(75) Inventor: **Graham Clark**, London (GB)

(73) Assignee: **Officepod Limited**, London (GB)

(**) Term: **14 Years**

(21) Appl. No.: **29/341,137**

(22) Filed: **Jul. 31, 2009**

(30) **Foreign Application Priority Data**

Feb. 5, 2009 (EM) 001082713-0001

(51) **LOC (9) Cl.** **25-03**

(52) **U.S. Cl.** **D25/16**

(58) **Field of Classification Search** D25/1,
D25/16, 17, 18, 33; 52/79.1, 79.4, 79.5,
52/36.2, 79.8, 36.1

See application file for complete search history.

(56) **References Cited**

U.S. PATENT DOCUMENTS

3,838,545	A *	10/1974	Kump	52/79.8
4,514,938	A *	5/1985	Maguire	52/79.4
5,802,778	A *	9/1998	Thorp et al.	52/36.2
6,178,701	B1 *	1/2001	De Paepe et al.	52/36.2
6,248,014	B1 *	6/2001	Collier	454/228
6,474,025	B1 *	11/2002	Faiks et al.	52/36.1
7,621,076	B2 *	11/2009	Blaisdell	52/79.1
2002/0189170	A1 *	12/2002	Reuschel et al.	52/36.2

2002/0194796	A1 *	12/2002	Kress	52/79.1
2004/0003545	A1 *	1/2004	Gillespie	52/36.1
2010/0101155	A1 *	4/2010	Reid et al.	52/79.1

FOREIGN PATENT DOCUMENTS

GB D2100767 3/2001

* cited by examiner

Primary Examiner — T. Chase Nelson

Assistant Examiner — Kathleen M Sims

(74) *Attorney, Agent, or Firm* — Egbert Law Offices PLLC

(57) **CLAIM**

The ornamental design for the portable cabin, as shown and described.

DESCRIPTION

FIG. 1 is an upper perspective view of the portable cabin showing my new design.

FIG. 2 is another perspective view thereof, showing an open position of the door;

FIG. 3 a front elevation view thereof;

FIG. 4 is back elevation view thereof;

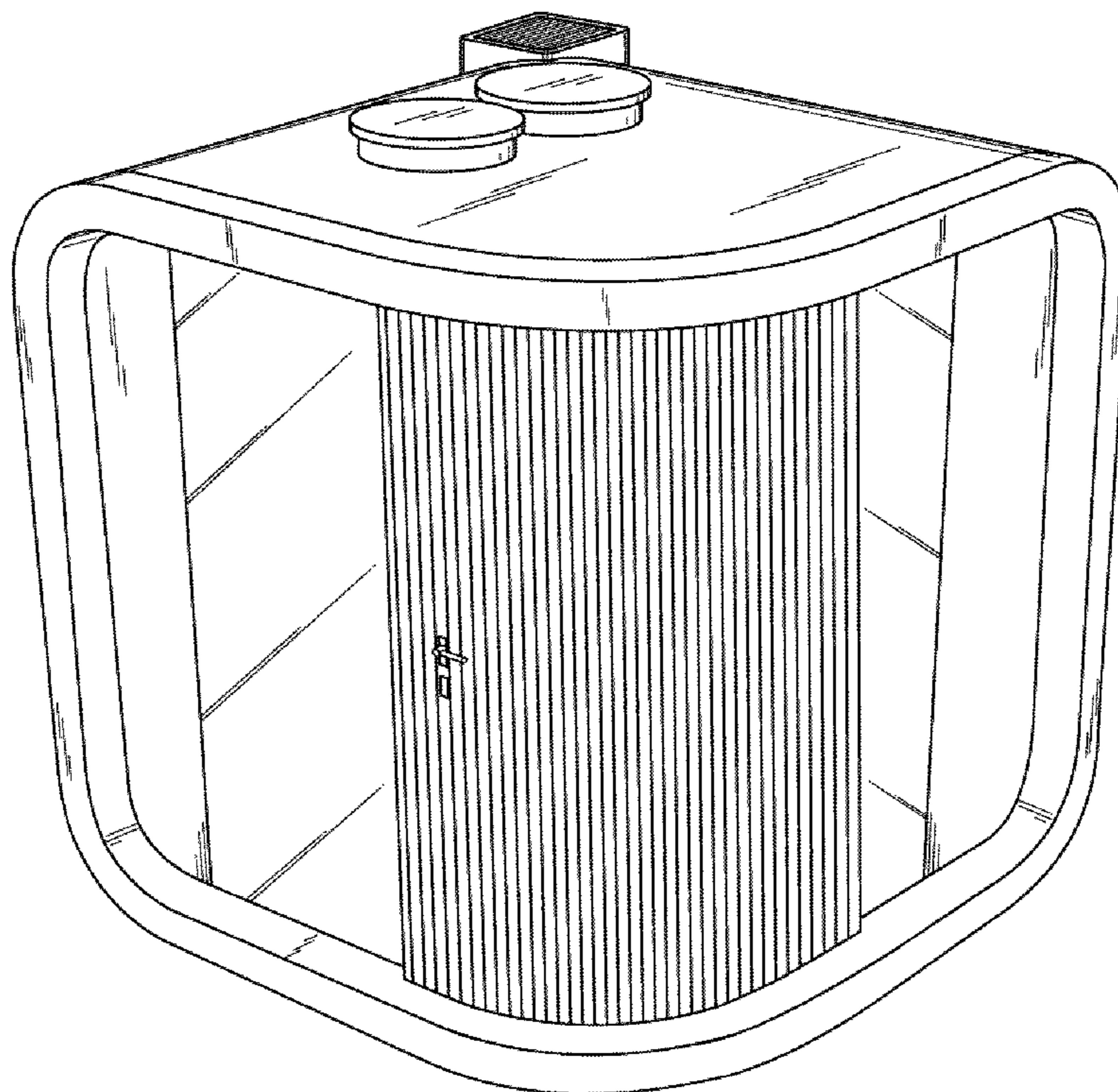
FIG. 5 is a side elevation view thereof;

FIG. 6 is an opposite side elevation view thereof;

FIG. 7 is a top plan view thereof; and,

FIG. 8 is a bottom plan view thereof.

1 Claim, 8 Drawing Sheets



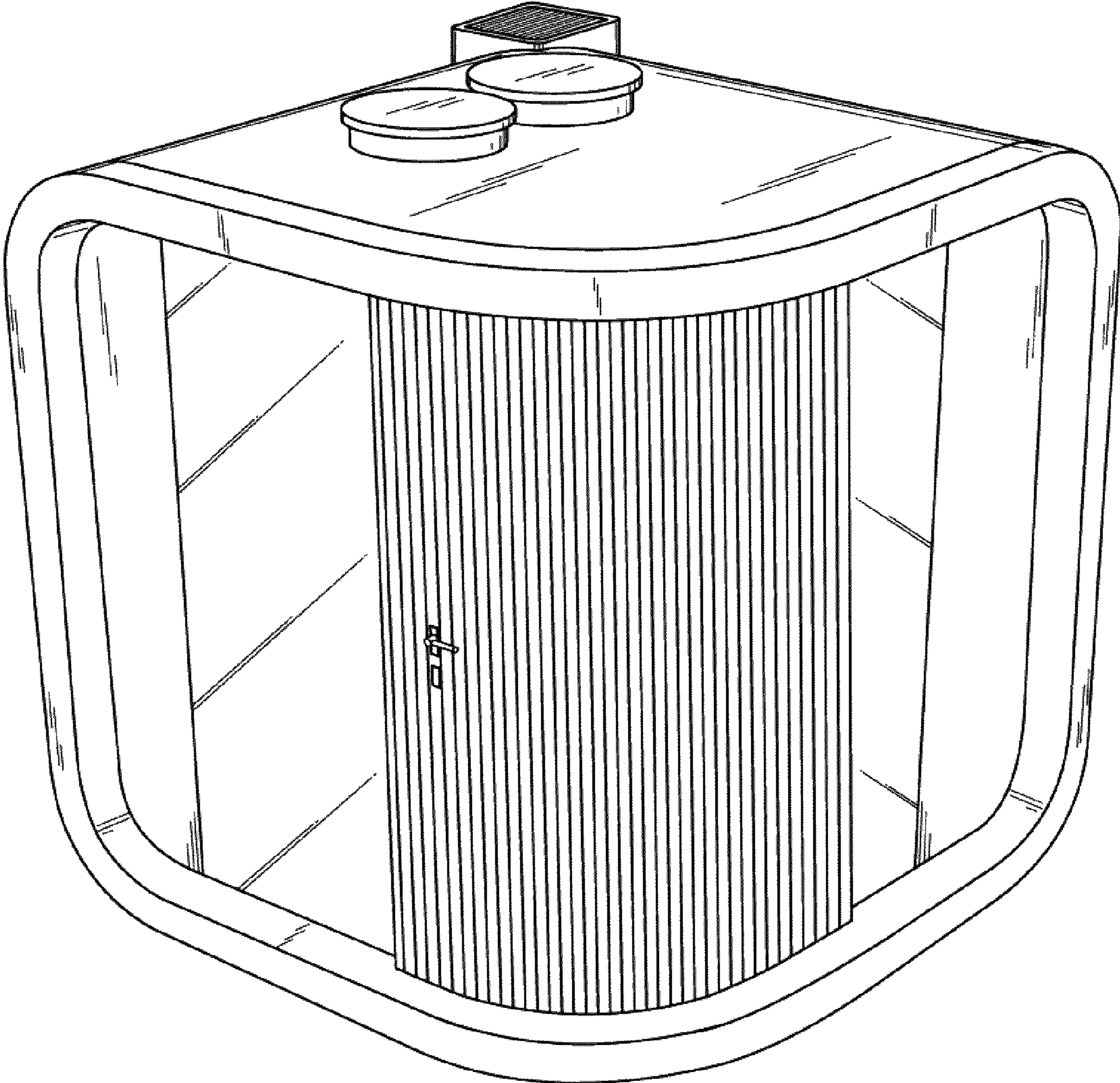


Fig. 1

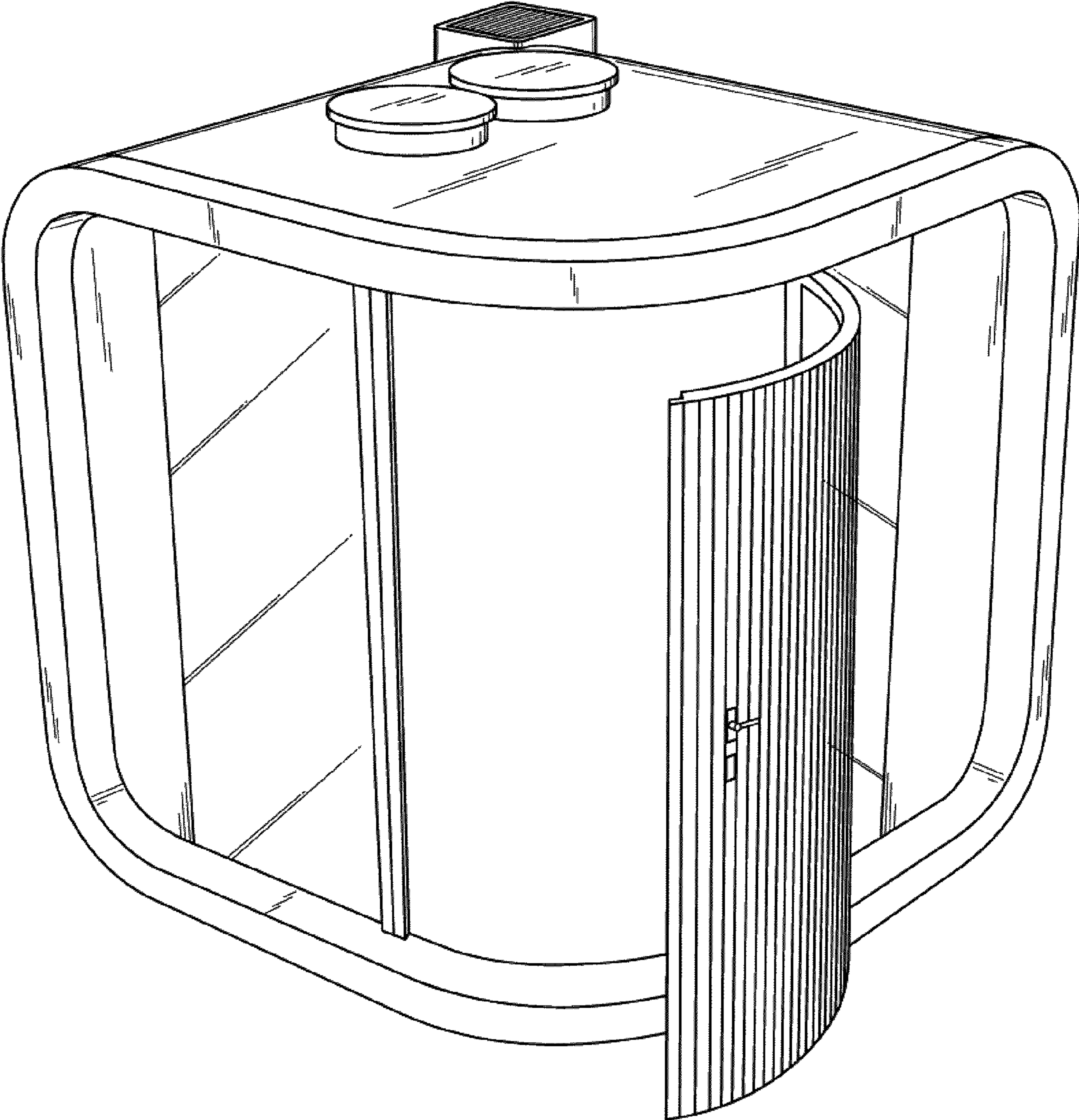


Fig. 2

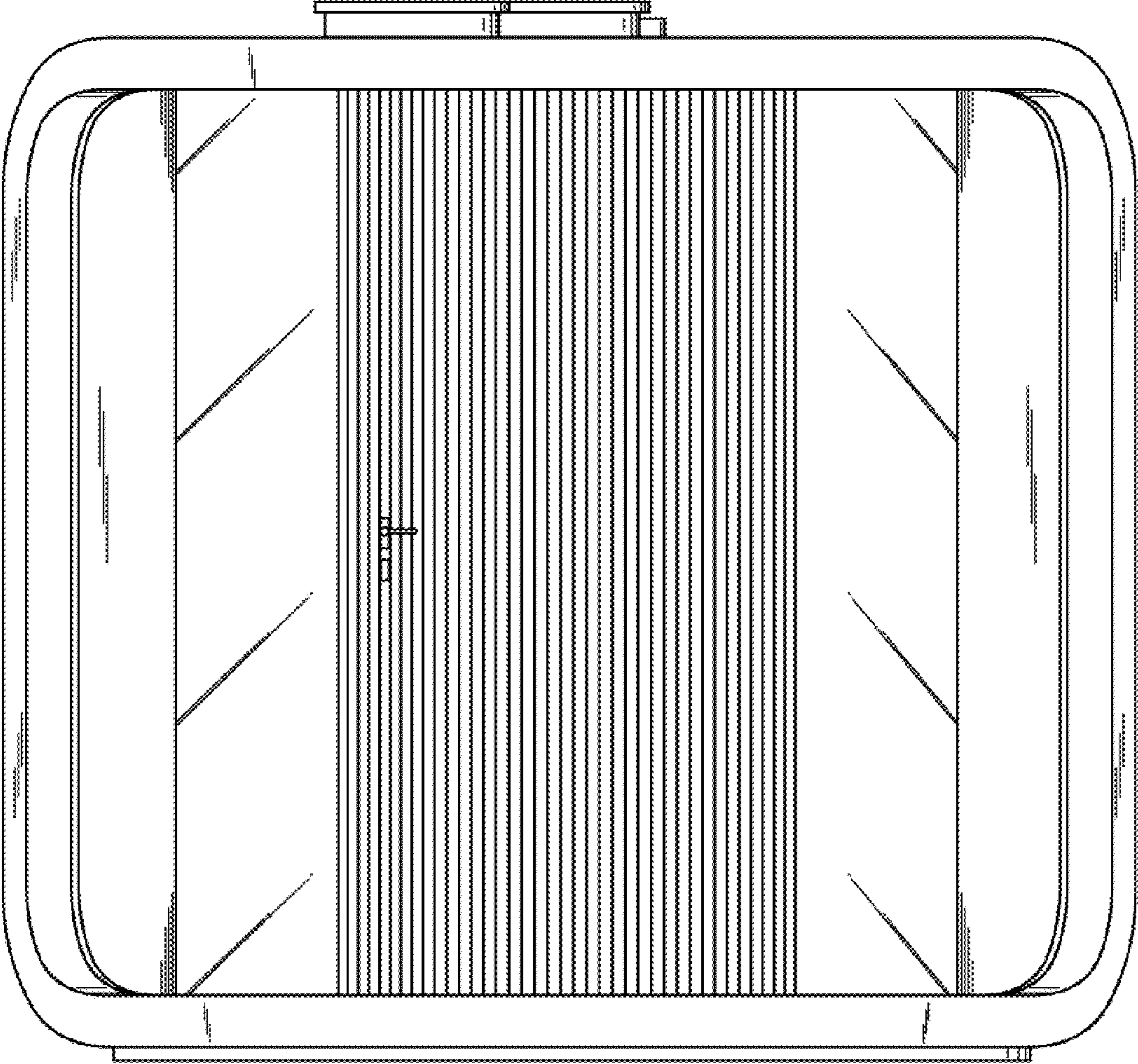


Fig. 3

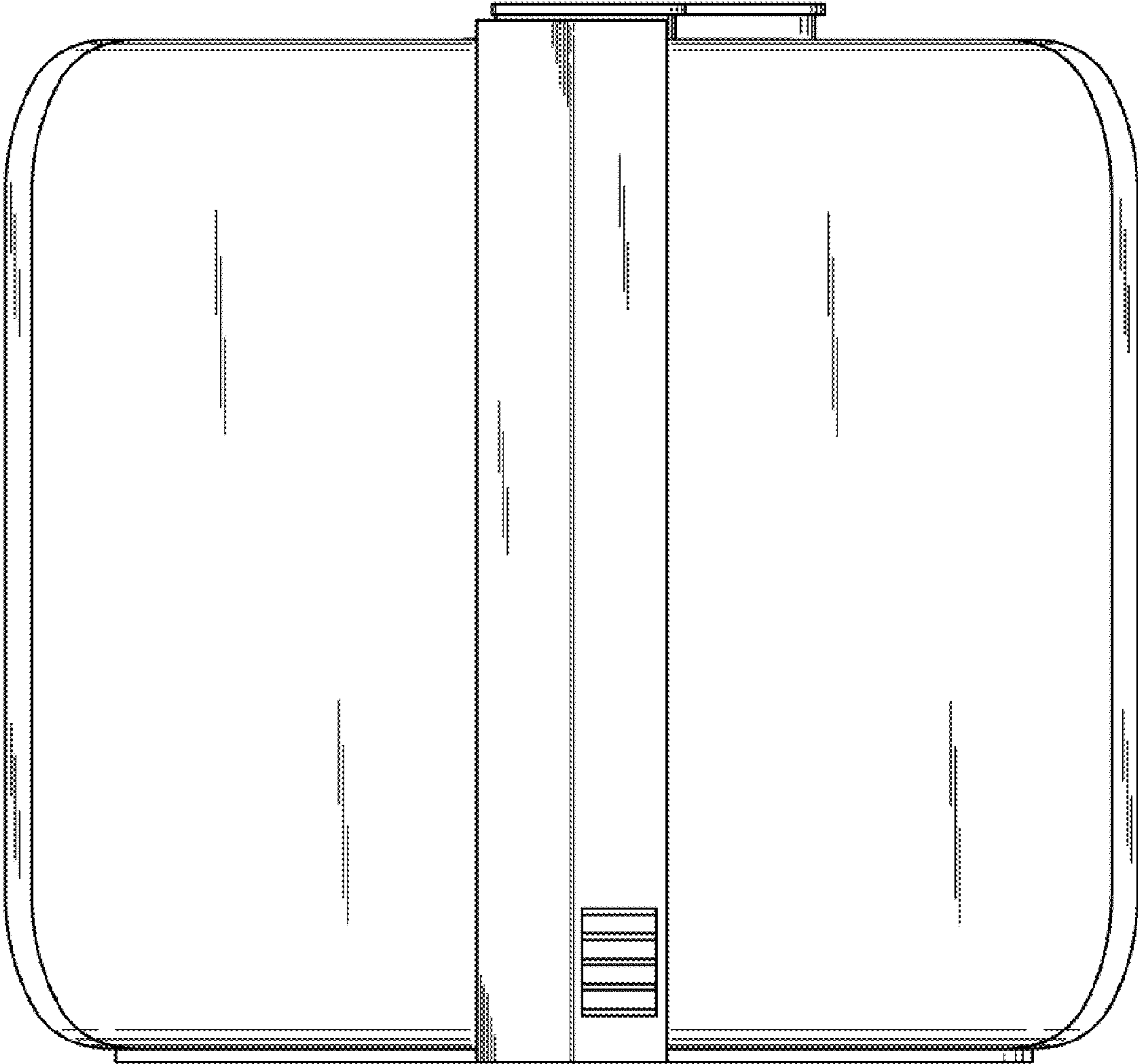


Fig. 4

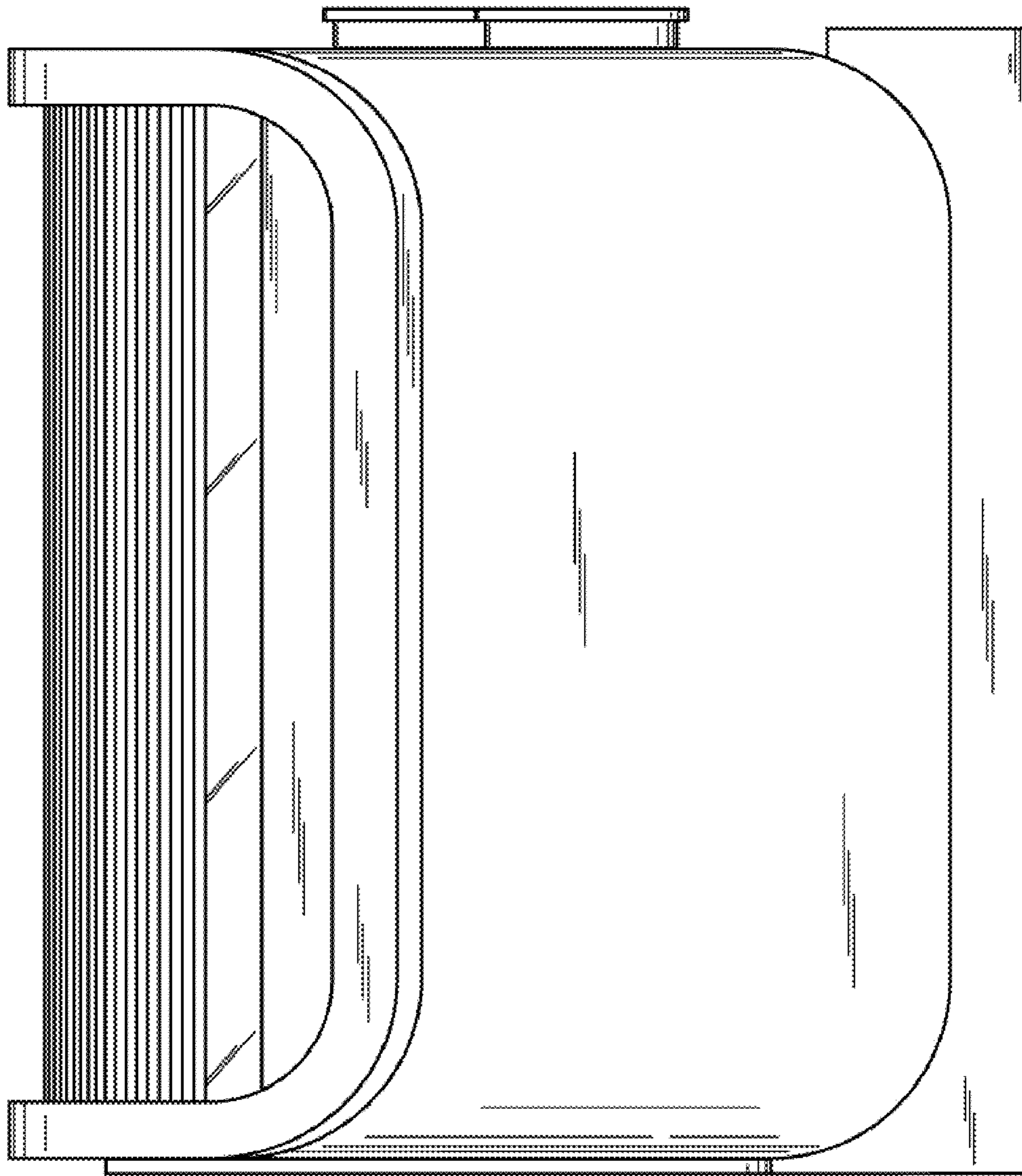


Fig. 5

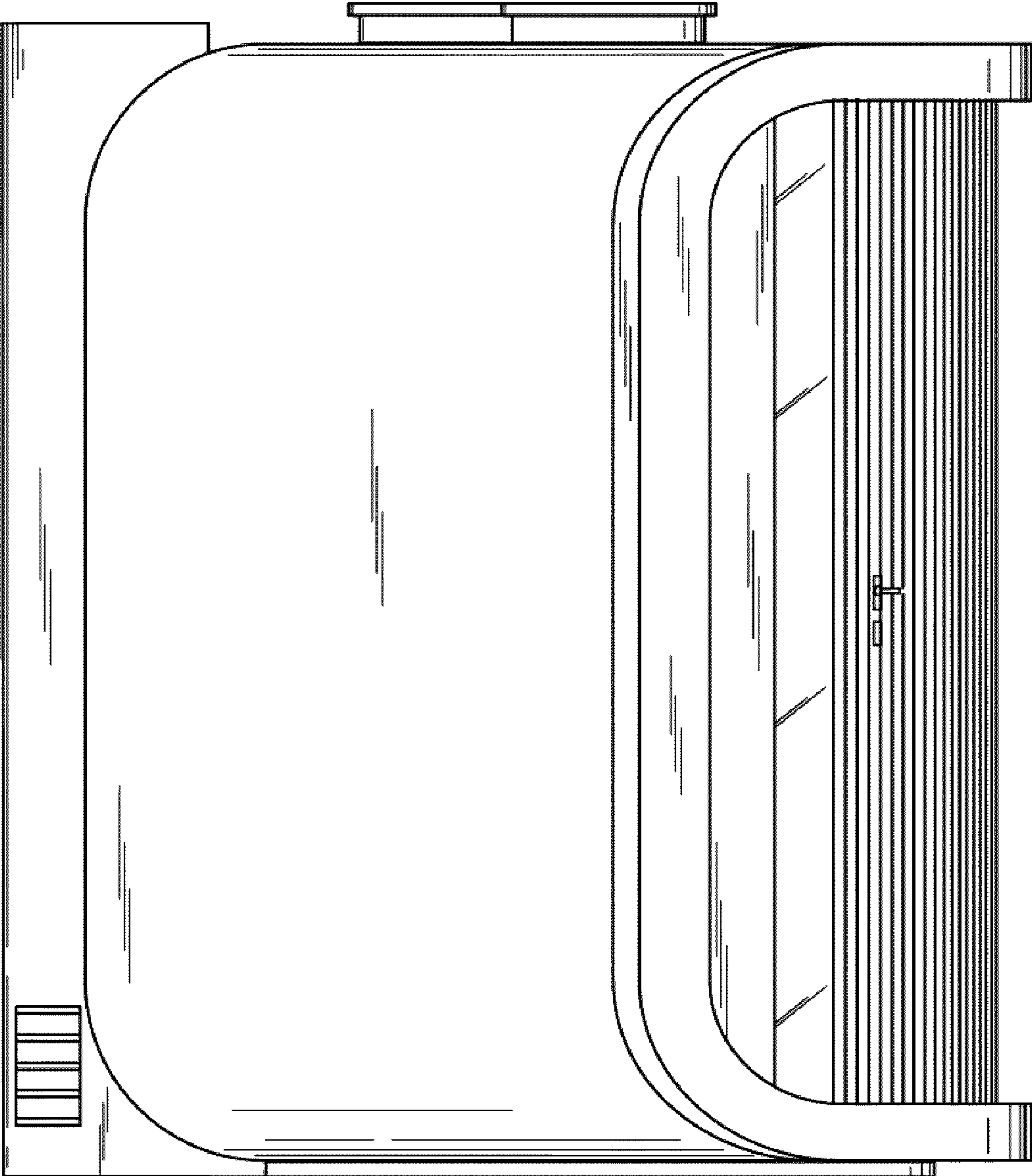


Fig. 6

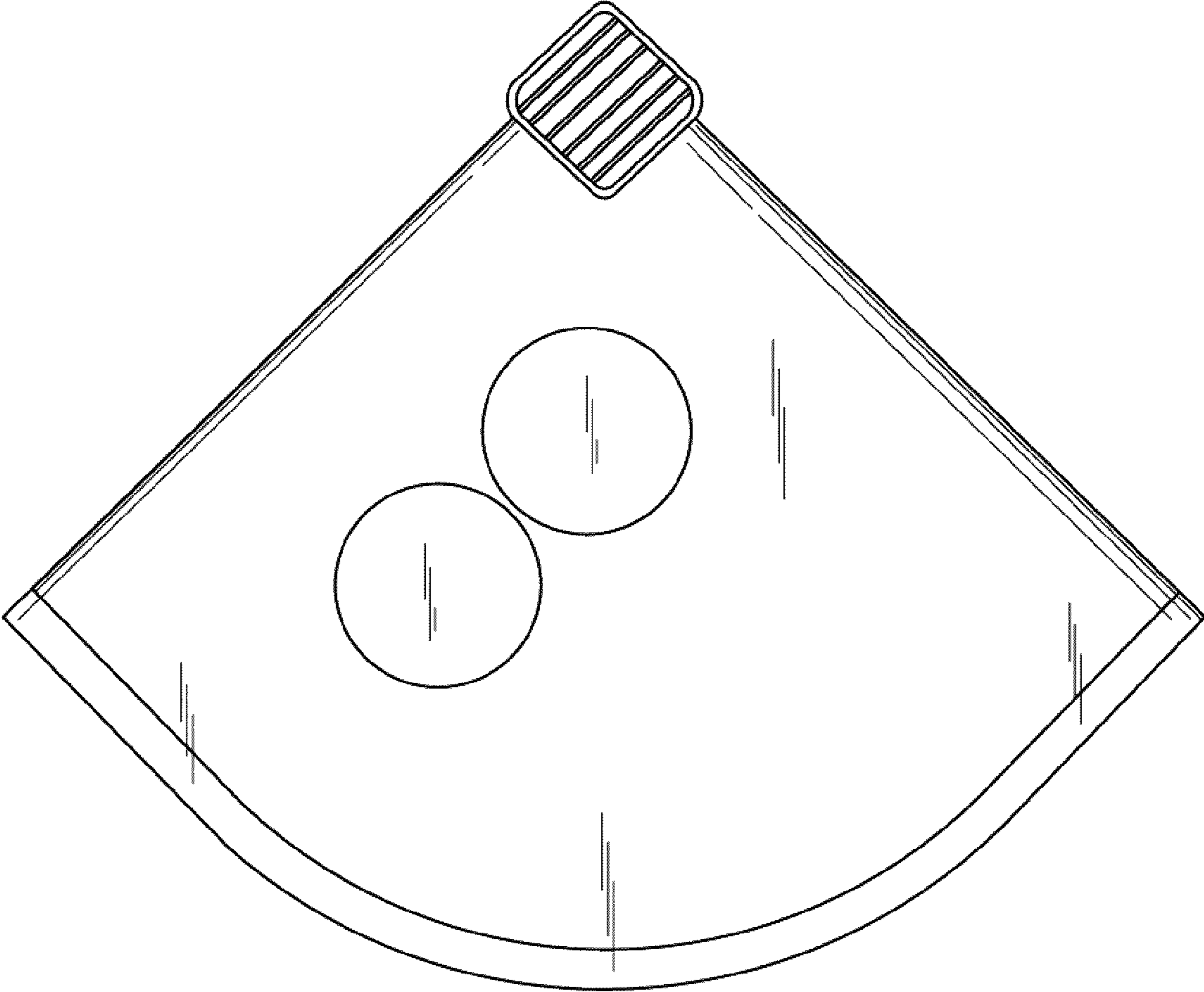


Fig. 7

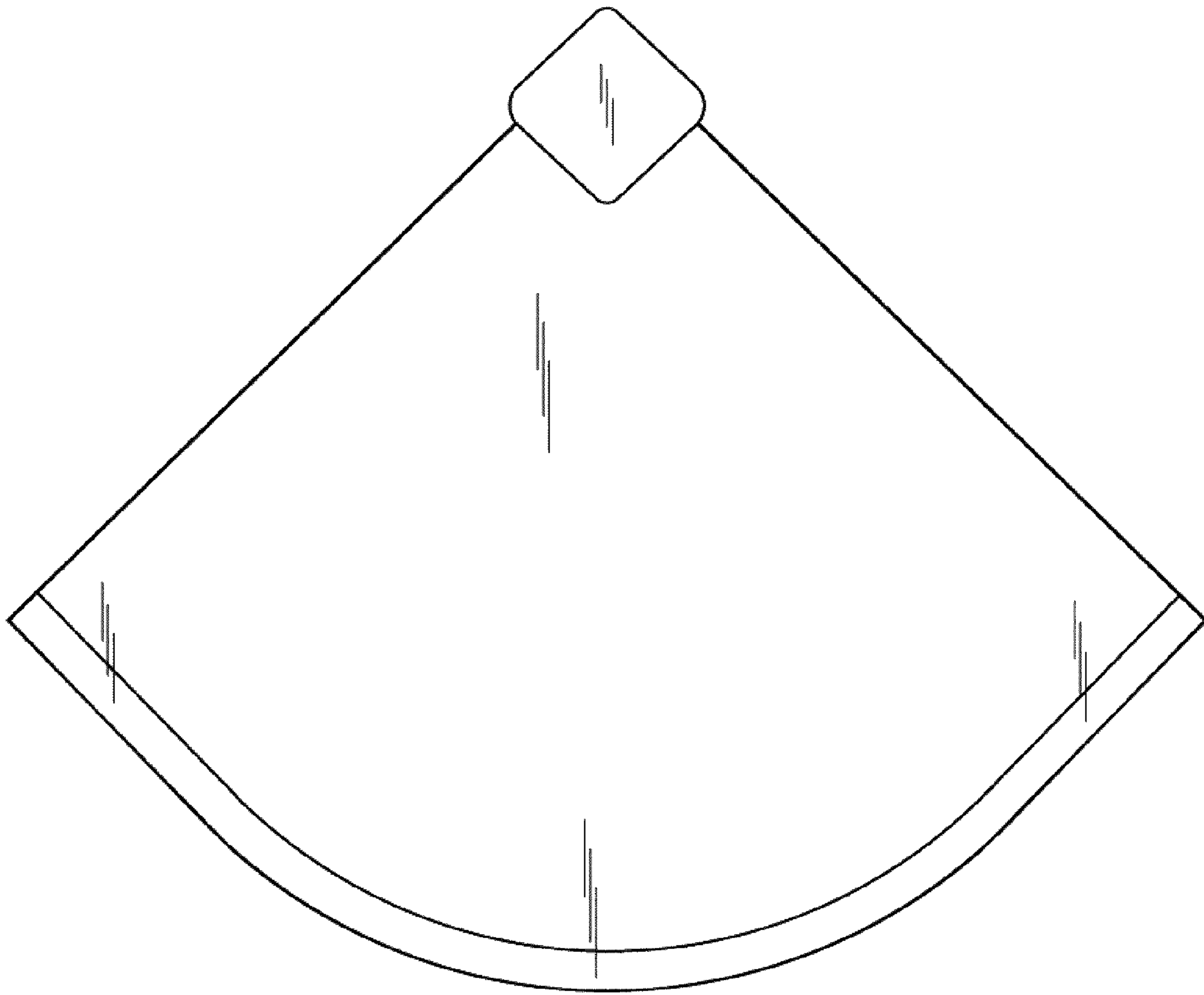


Fig. 8