



US00D641089S

(12) **United States Design Patent**
Nowak

(10) **Patent No.:** **US D641,089 S**

(45) **Date of Patent:** **** Jul. 5, 2011**

(54) **CABLE STAYED BRIDGE DOUBLE ARCH
FRONT FACING**

(76) Inventor: **John Jerome Nowak**, Lackawanna, NY
(US)

(**) Term: **14 Years**

(21) Appl. No.: **29/385,189**

(22) Filed: **Feb. 10, 2011**

(51) **LOC (9) Cl.** **25-03**

(52) **U.S. Cl.** **D25/1**

(58) **Field of Classification Search** D25/1;
14/8, 13, 18, 20-22

See application file for complete search history.

(56) **References Cited**

U.S. PATENT DOCUMENTS

D260,036	S *	7/1981	Schildge, Jr.	D25/1
D274,842	S *	7/1984	Schildge, Jr.	D25/1
D274,843	S *	7/1984	Schildge, Jr.	D25/1
5,121,518	A	6/1992	Muller		
5,493,746	A *	2/1996	Minakami et al.	14/18
5,513,408	A *	5/1996	Minakami et al.	14/18
5,784,739	A *	7/1998	Kawada et al.	14/18
5,850,652	A *	12/1998	Yamamura et al.	14/18
6,012,191	A *	1/2000	Caldwell	14/18
6,292,967	B1 *	9/2001	Tabatabai et al.	14/22
6,301,735	B1 *	10/2001	Jartoux et al.	14/22
6,401,285	B1	6/2002	Morris		
D523,154	S *	6/2006	Stubler	D25/1
D523,563	S	6/2006	Stubler		
D523,965	S	6/2006	Stubler		
7,124,460	B2 *	10/2006	Lecinq et al.	14/22
7,743,444	B2 *	6/2010	Murakoshi et al.	14/18

* cited by examiner

Primary Examiner — T. Chase Nelson

Assistant Examiner — Kathleen M Sims

(74) *Attorney, Agent, or Firm* — Vincent G. LoTempio;
Douglas R. Smith; Brendan S. Lillis

(57) **CLAIM**

The ornamental design for a cable stayed bridge double arch front facing, as shown and described.

DESCRIPTION

FIG. 1 is a top perspective view of the cable stayed bridge double arch front facing showing my new design;

FIG. 2 is a bottom perspective view thereof;

FIG. 3 is a front elevational view thereof, with the rear elevational view being a mirror image thereof;

FIG. 4 is a top plan view thereof;

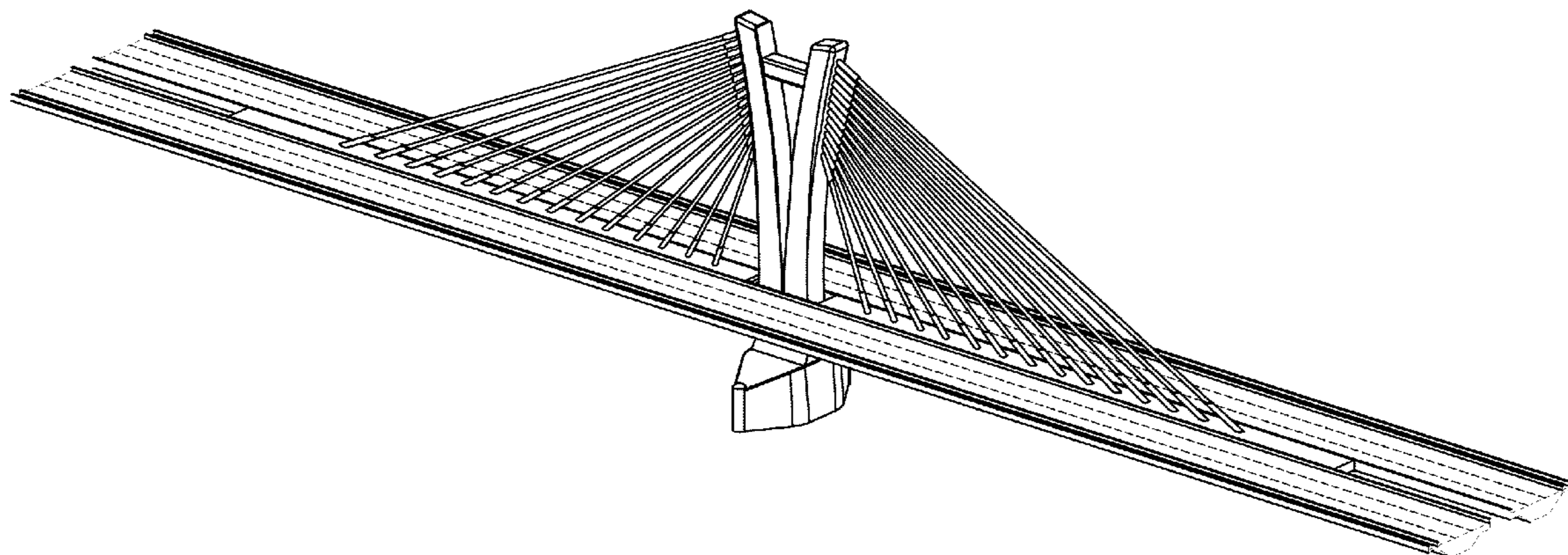
FIG. 5 is a bottom plan view thereof;

FIG. 6 is a right side elevational view thereof, with the left side elevation being a mirror image thereof; and,

FIG. 7 is a second perspective view thereof showing a second broken line bridge as environment, and illustrating that the cable stayed bridge double arch front facing of the claimed design may be uniformly repeated as subunits in a larger bridge comprised of any number of subunits placed in a series.

The claim is directed to the cable stayed bridge double arch front facing as depicted in FIGS. 1 through 6. The FIG. 7 view and description depict and describe possible environments that form no part of the claimed design. The broken lines depict environmental structure that forms no part of the claimed design, excepting the broken line ends of the spans, which form the boundaries of the claimed design, and also form no part of the design.

1 Claim, 5 Drawing Sheets



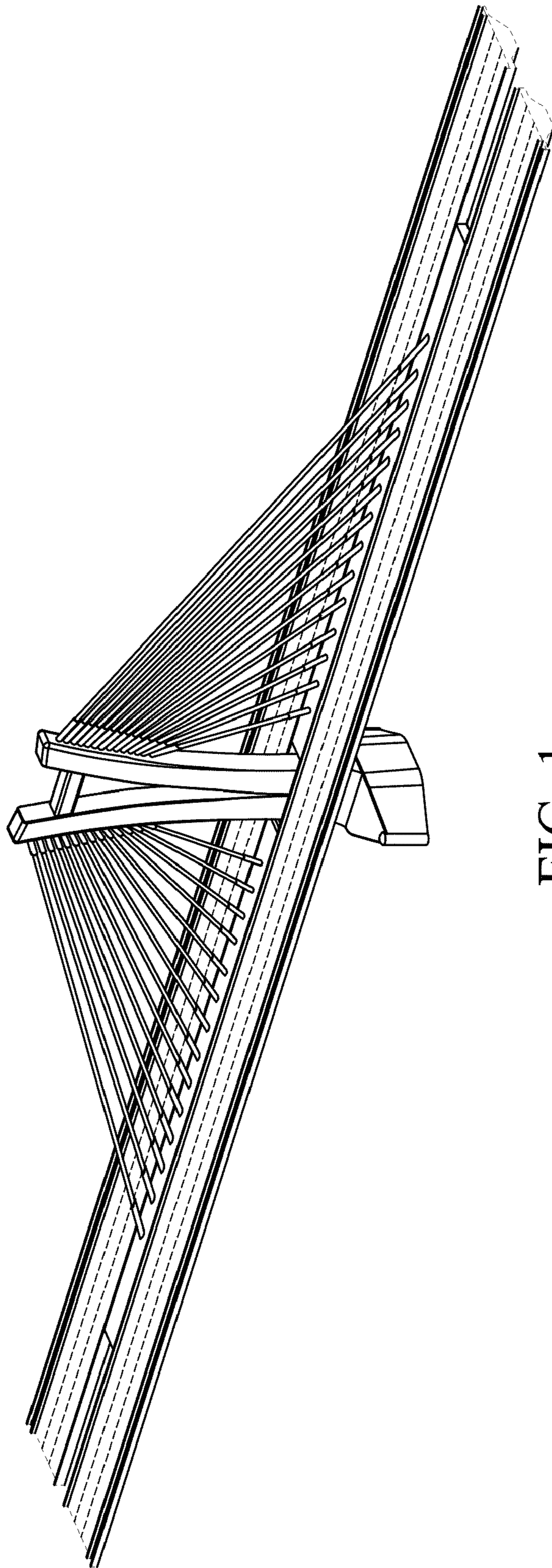


FIG. 1

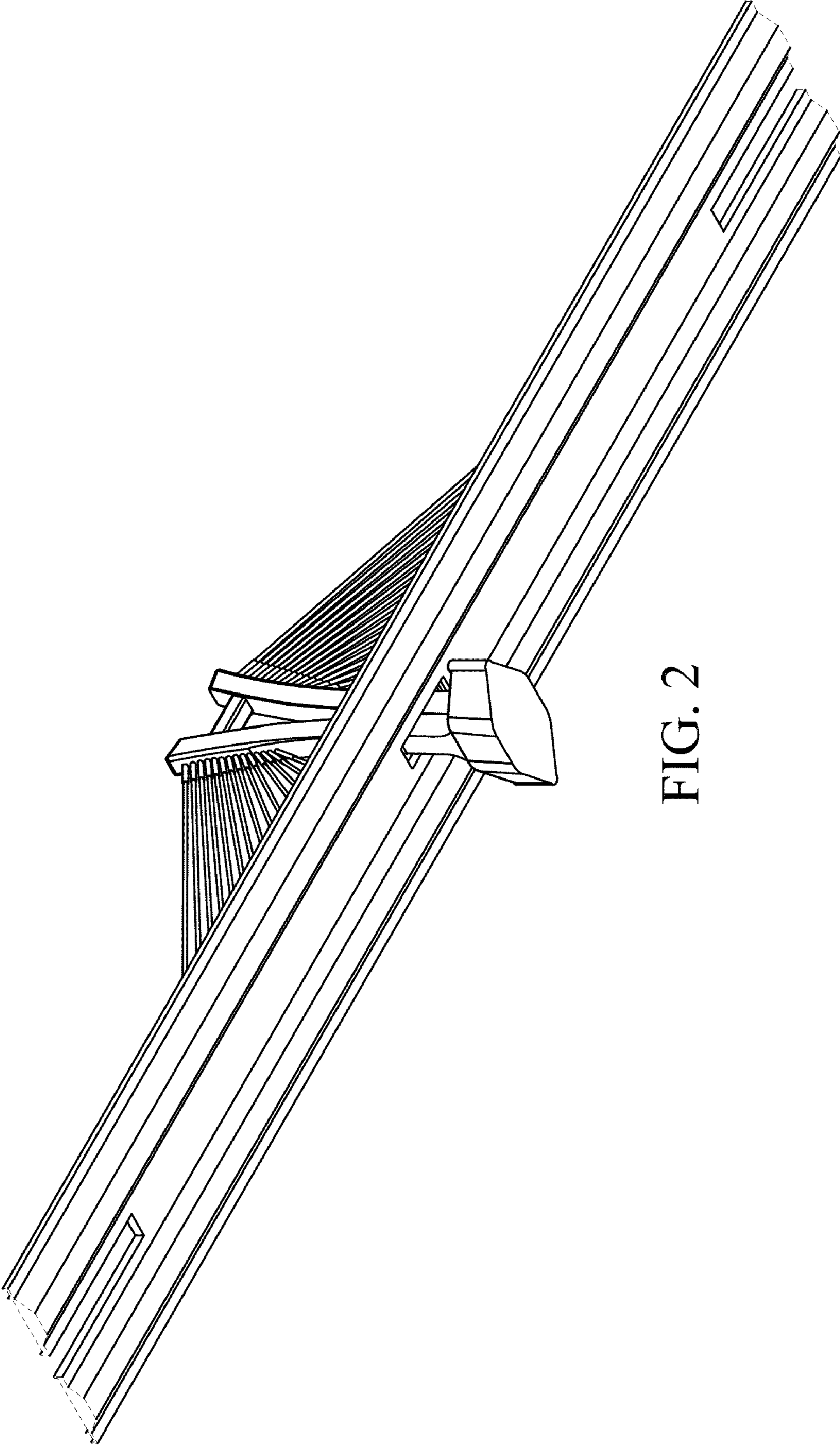


FIG. 2

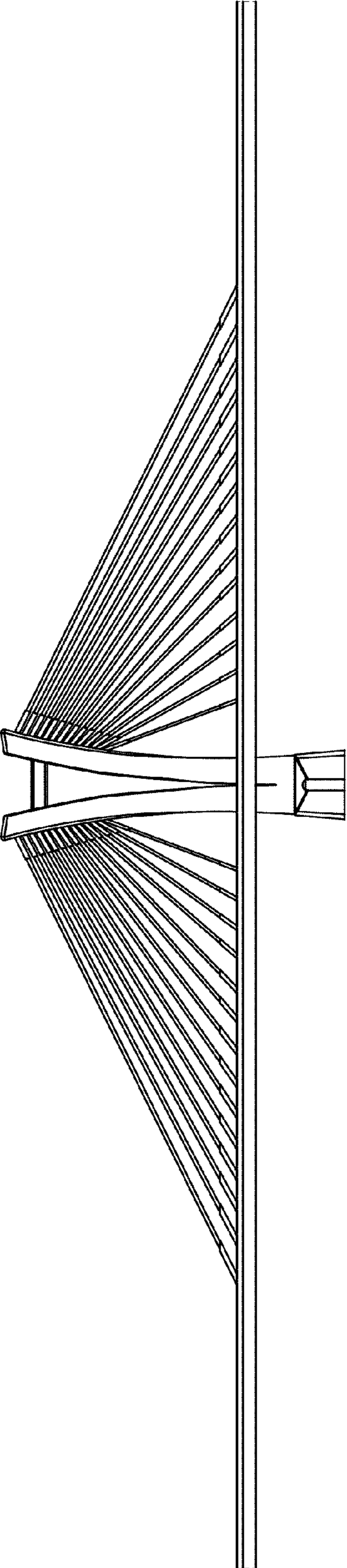


FIG. 3

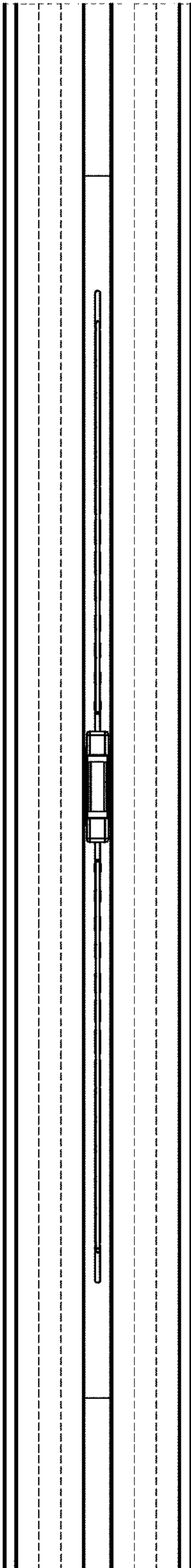


FIG. 4

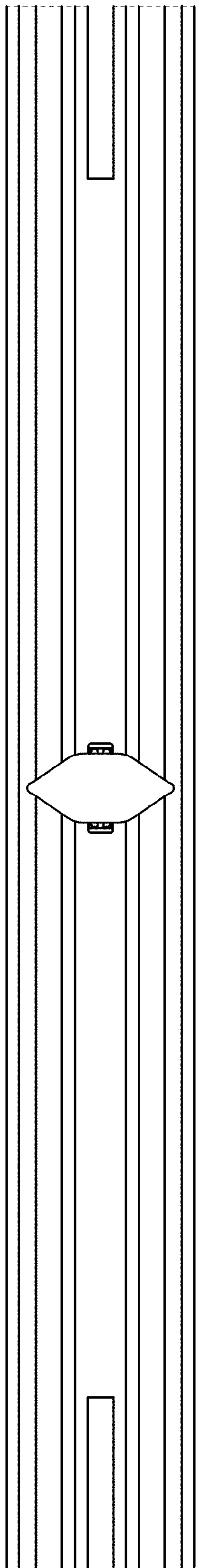


FIG. 5

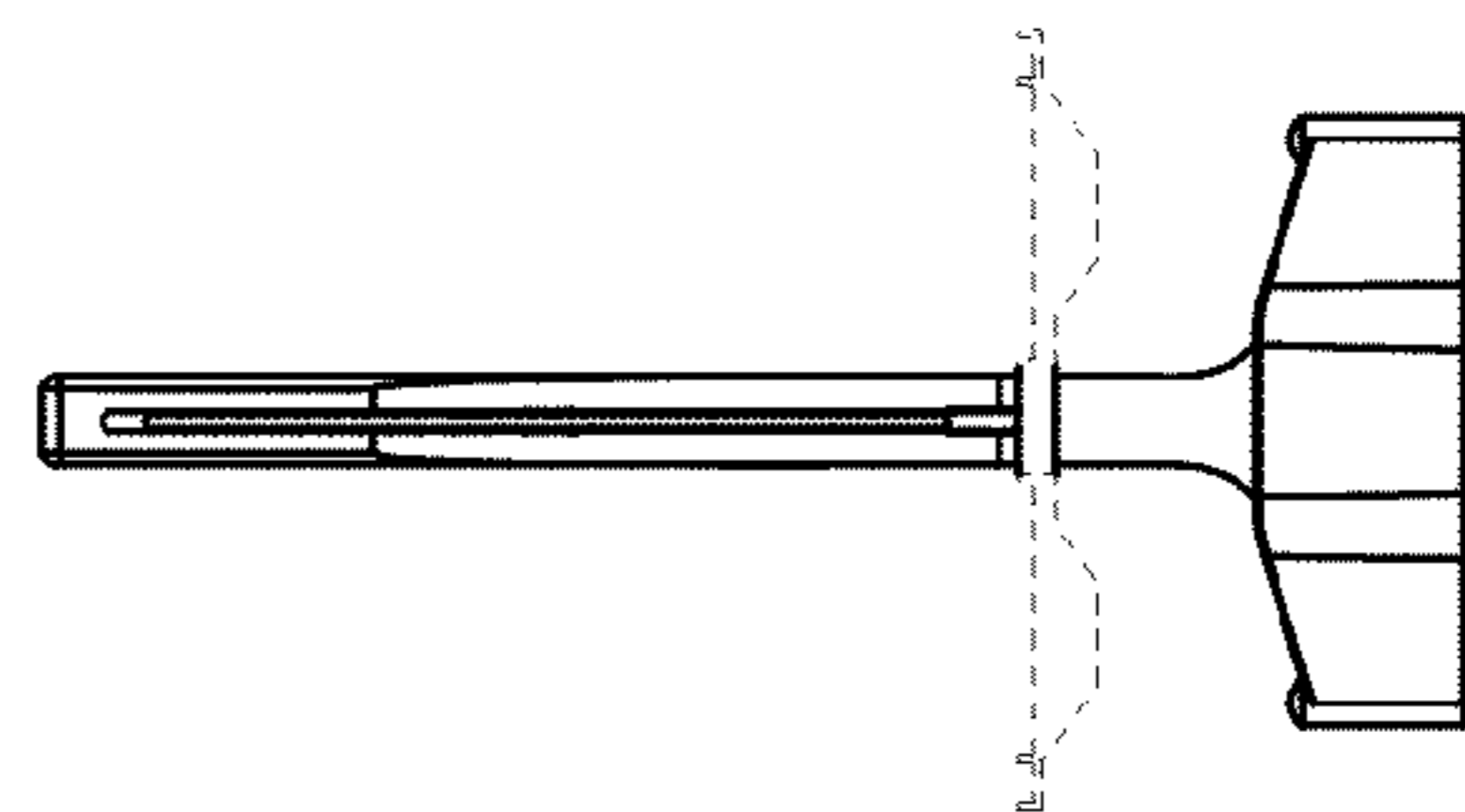


FIG. 6

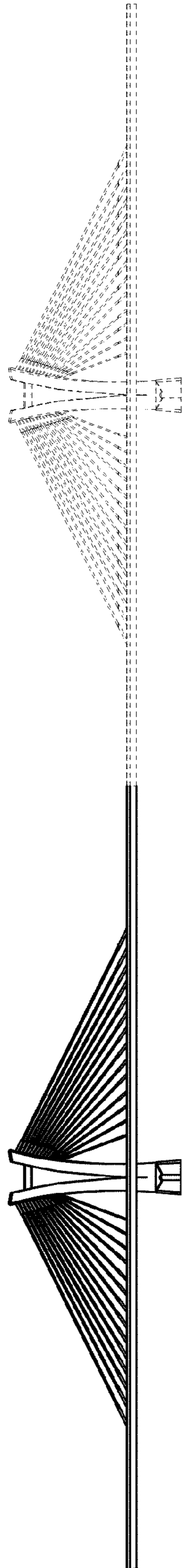


FIG. 7