



US00D641087S

(12) **United States Design Patent**
Garren et al.

(10) **Patent No.:** **US D641,087 S**

(45) **Date of Patent:** **** Jul. 5, 2011**

(54) **VIAL**

(75) Inventors: **Robert Garren**, Fultonville, NY (US);
Ronald Supranowicz, Lenox, MA (US)

(73) Assignee: **Capitol Plastic Products, LLC**, Auburn, AL (US)

(**) Term: **14 Years**

(21) Appl. No.: **29/357,183**

(22) Filed: **Mar. 8, 2010**

(51) **LOC (9) Cl.** **24-01**

(52) **U.S. Cl.** **D24/224**

(58) **Field of Classification Search** D24/216,
D24/222–226, 231, 232, 169; D10/81;
D3/203.1–203.8; 422/99, 102; D9/503,
D9/504, 505, 529, 549, 434, 445, 499, 435;
435/288.1, 288.3, 288.4, 304.1, 305.1, 305.3,
435/305.4; D34/10; D8/323, 326–328

See application file for complete search history.

(56) **References Cited**

U.S. PATENT DOCUMENTS

| | | | | |
|----------------|---------|-----------------|-------|---------|
| D400,332 S * | 10/1998 | Sanden, Jr. | | D34/10 |
| D486,452 S * | 2/2004 | Dinh | | D13/156 |
| D491,275 S * | 6/2004 | Walters et al. | | D24/224 |
| D561,904 S * | 2/2008 | Neel et al. | | D24/216 |
| 7,597,853 B2 * | 10/2009 | West et al. | | 422/102 |
| D608,011 S * | 1/2010 | Giraud et al. | | D24/224 |
| D621,951 S * | 8/2010 | Bucholtz et al. | | D24/224 |

* cited by examiner

Primary Examiner — T. Chase Nelson

Assistant Examiner — Anhdao Doan

(74) *Attorney, Agent, or Firm* — McAndrews, Held & Malloy, Ltd.

(57) **CLAIM**

The ornamental design for a vial, as shown and described.

DESCRIPTION

FIG. 1 is a front, left, top perspective view showing our new design in open position;

FIG. 2 is a left side elevation view thereof;

FIG. 3 is a rear elevation view thereof;

FIG. 4 is a top plan view thereof;

FIG. 5 is a bottom plan view thereof;

FIG. 6 is an enlarged fragmentary rear, left, bottom perspective view thereof;

FIG. 7 is a front, left, top perspective view of our new design in closed position;

FIG. 8 is a left side elevation view thereof;

FIG. 9 is a right side elevation view thereof;

FIG. 10 is a rear elevation view thereof;

FIG. 11 is a top plan view thereof;

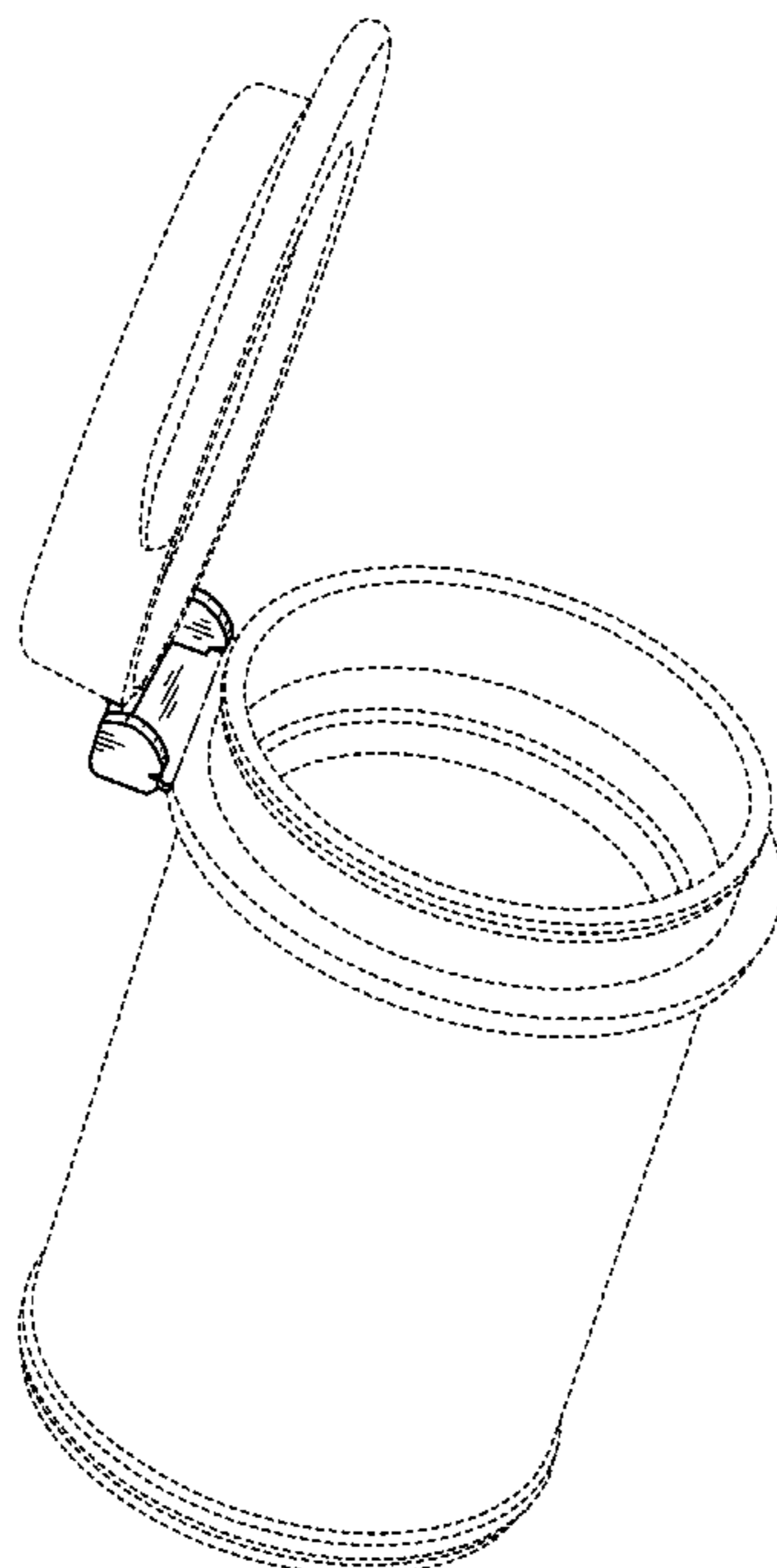
FIG. 12 is a bottom plan view thereof;

FIG. 13 is an enlarged fragmentary rear, left, bottom perspective view thereof; and,

FIG. 14 is an enlarged fragmentary front, right, top perspective view in open position.

The dash-dot lines in FIGS. 1, 4 and 14 represent the bounds of the claim, and all other broken lines are included for the purpose of illustrating portions of the vial that form no part of the claimed design. None of the broken lines form a part of the claimed design.

1 Claim, 11 Drawing Sheets



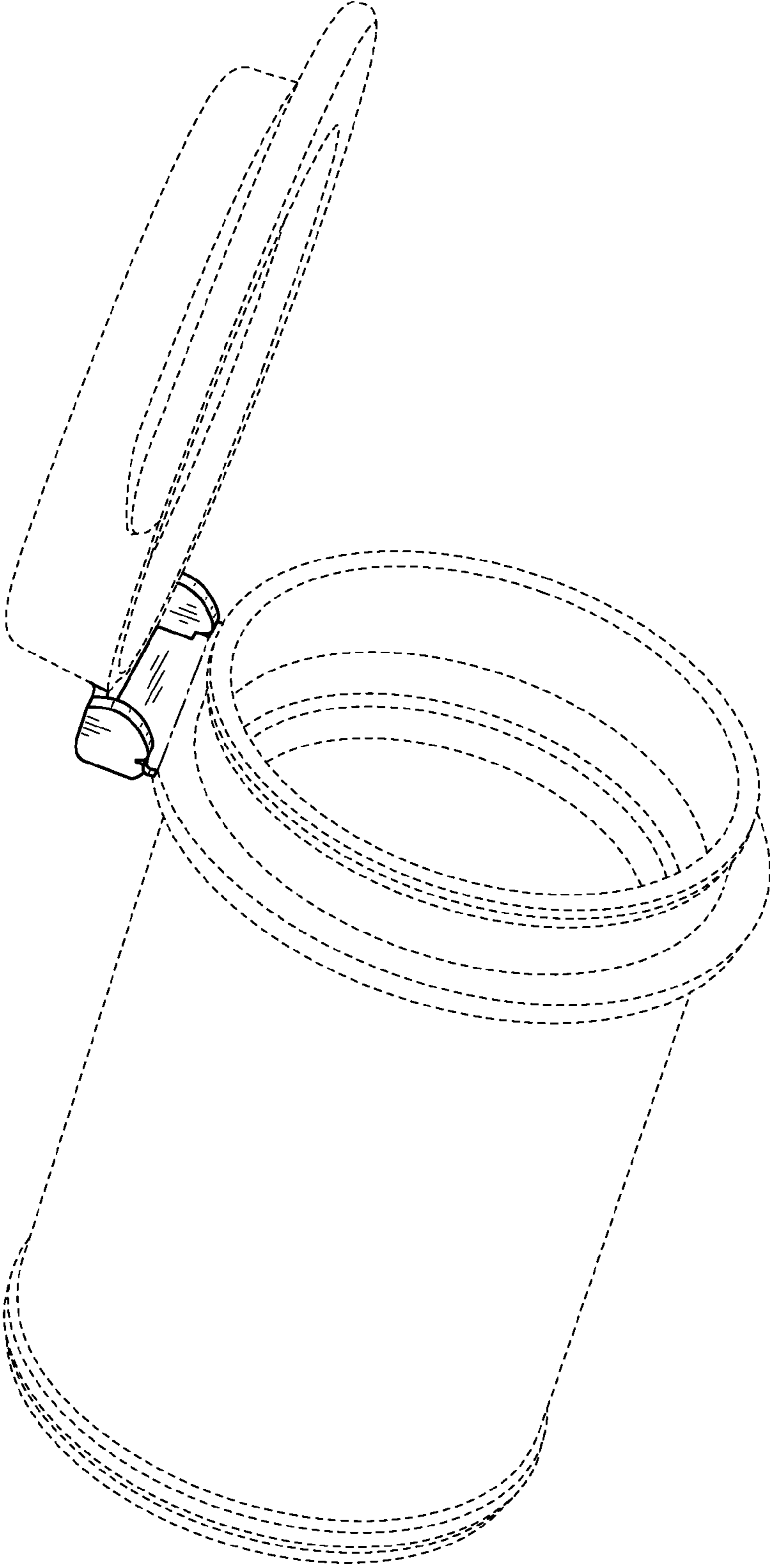


FIG. 1

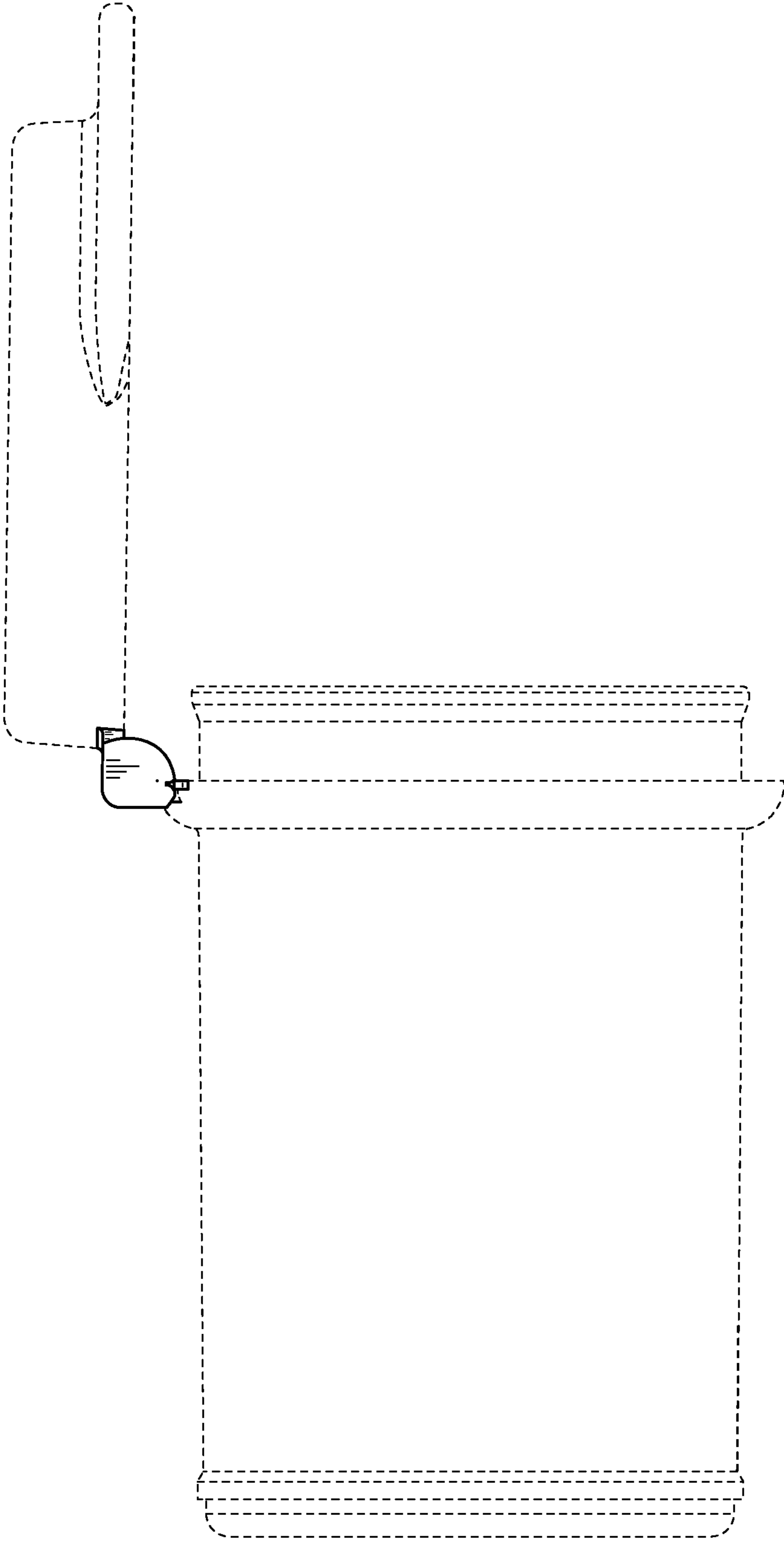


FIG. 2

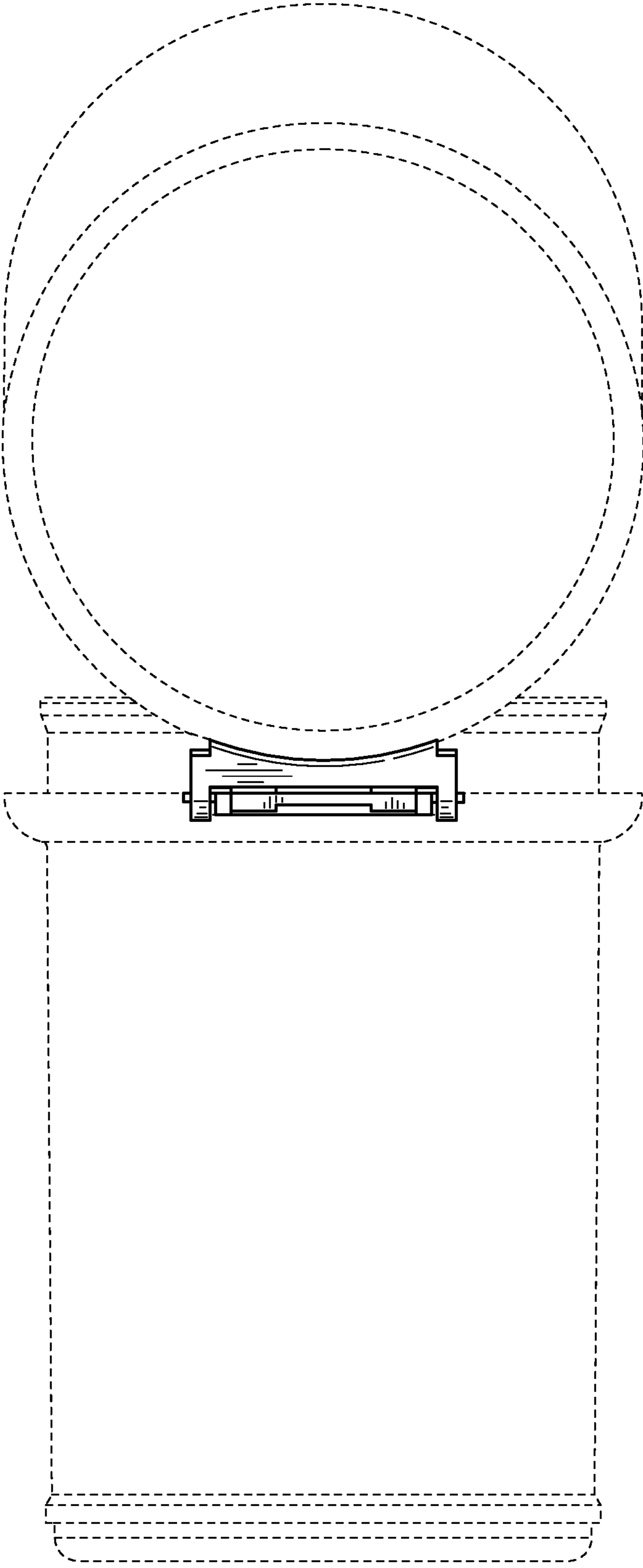


FIG. 3

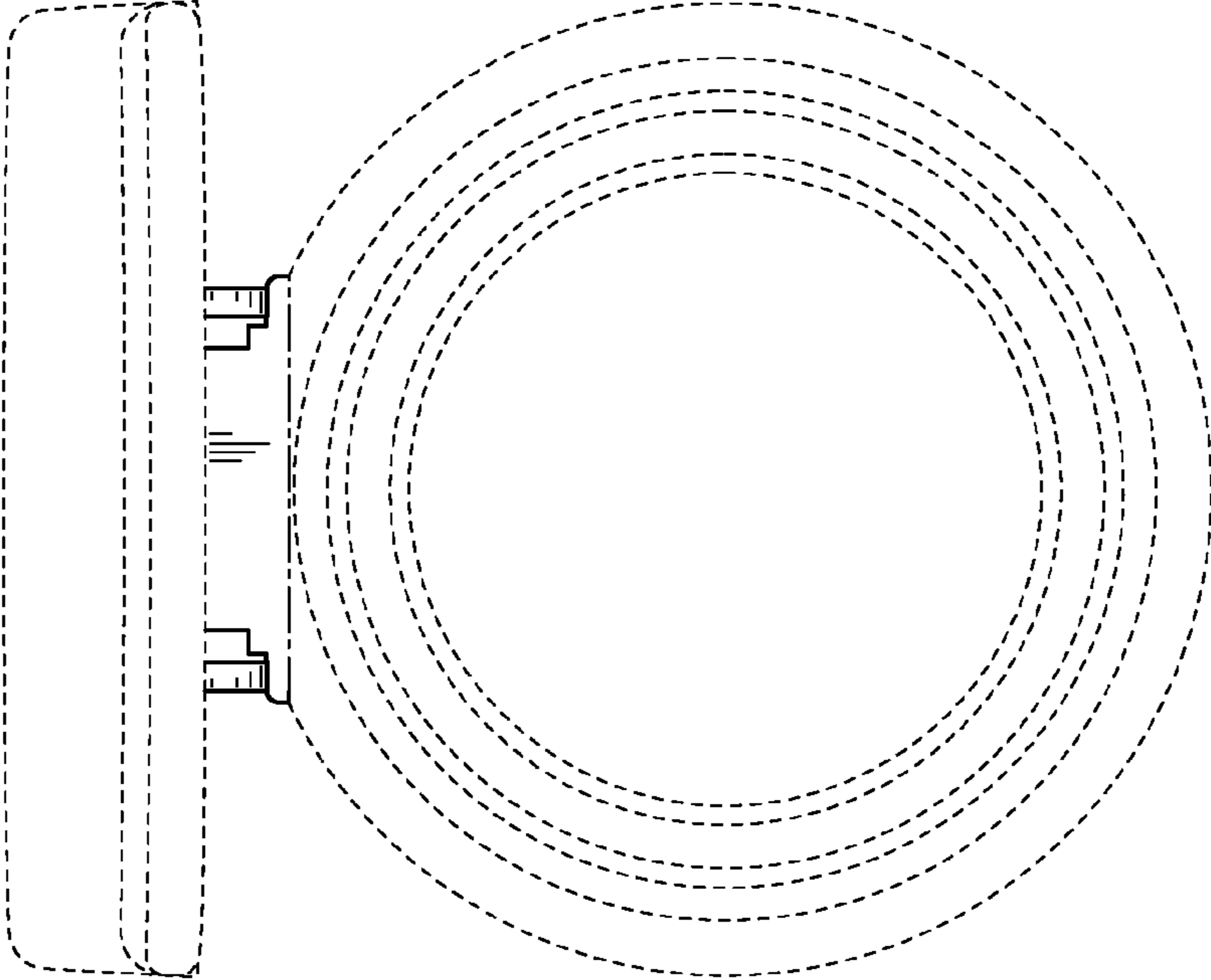


FIG. 4

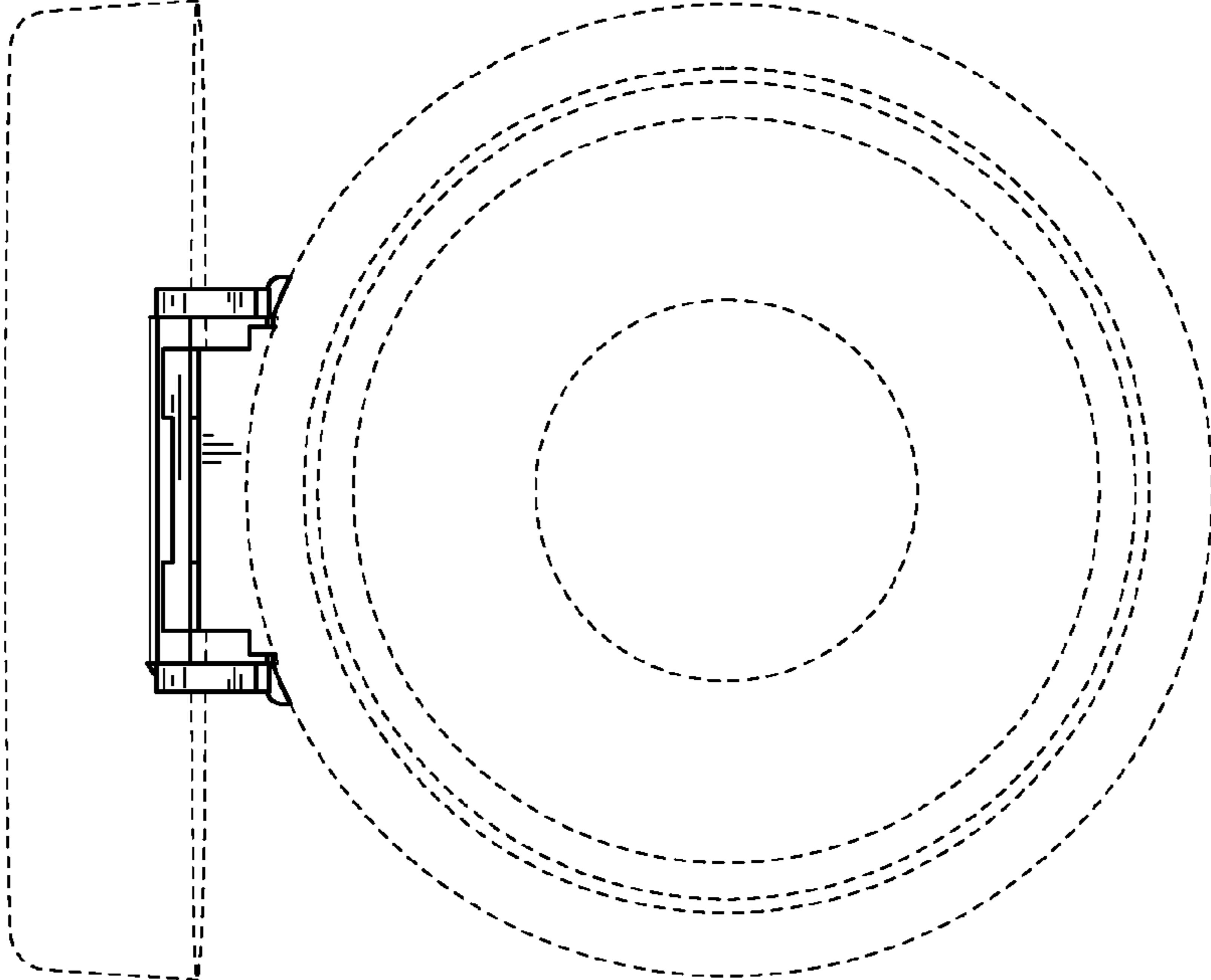


FIG. 5

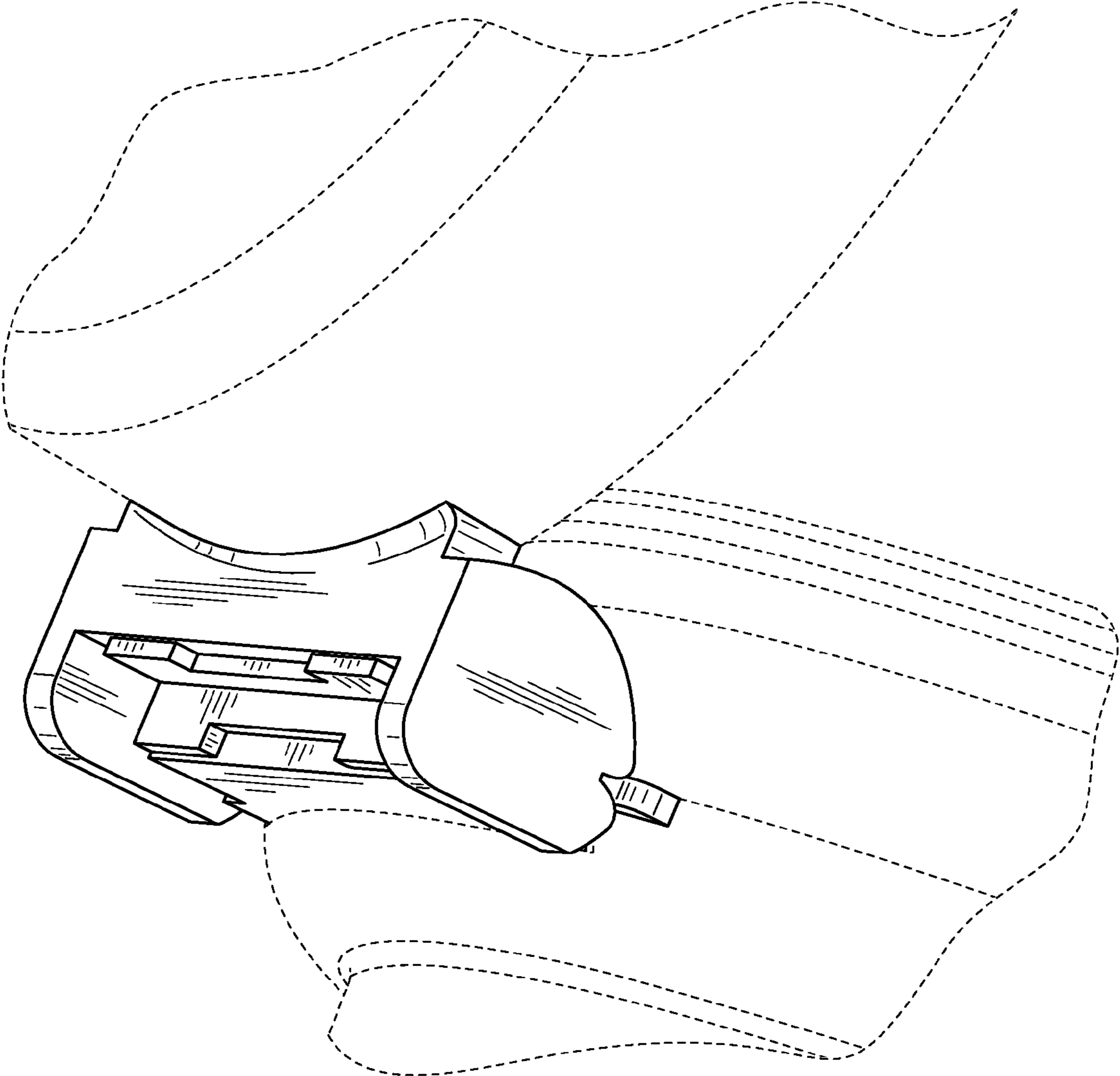


FIG. 6

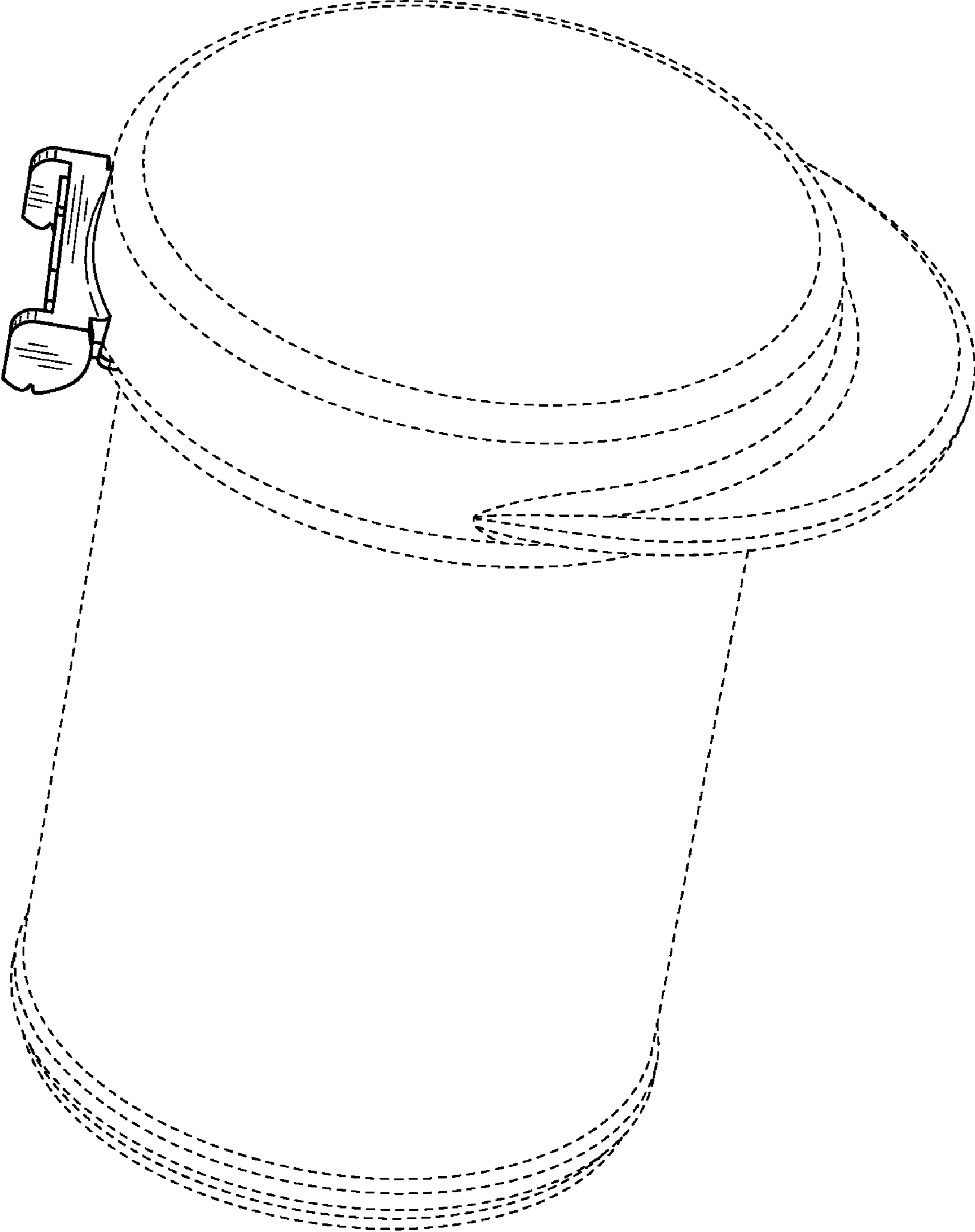


FIG. 7

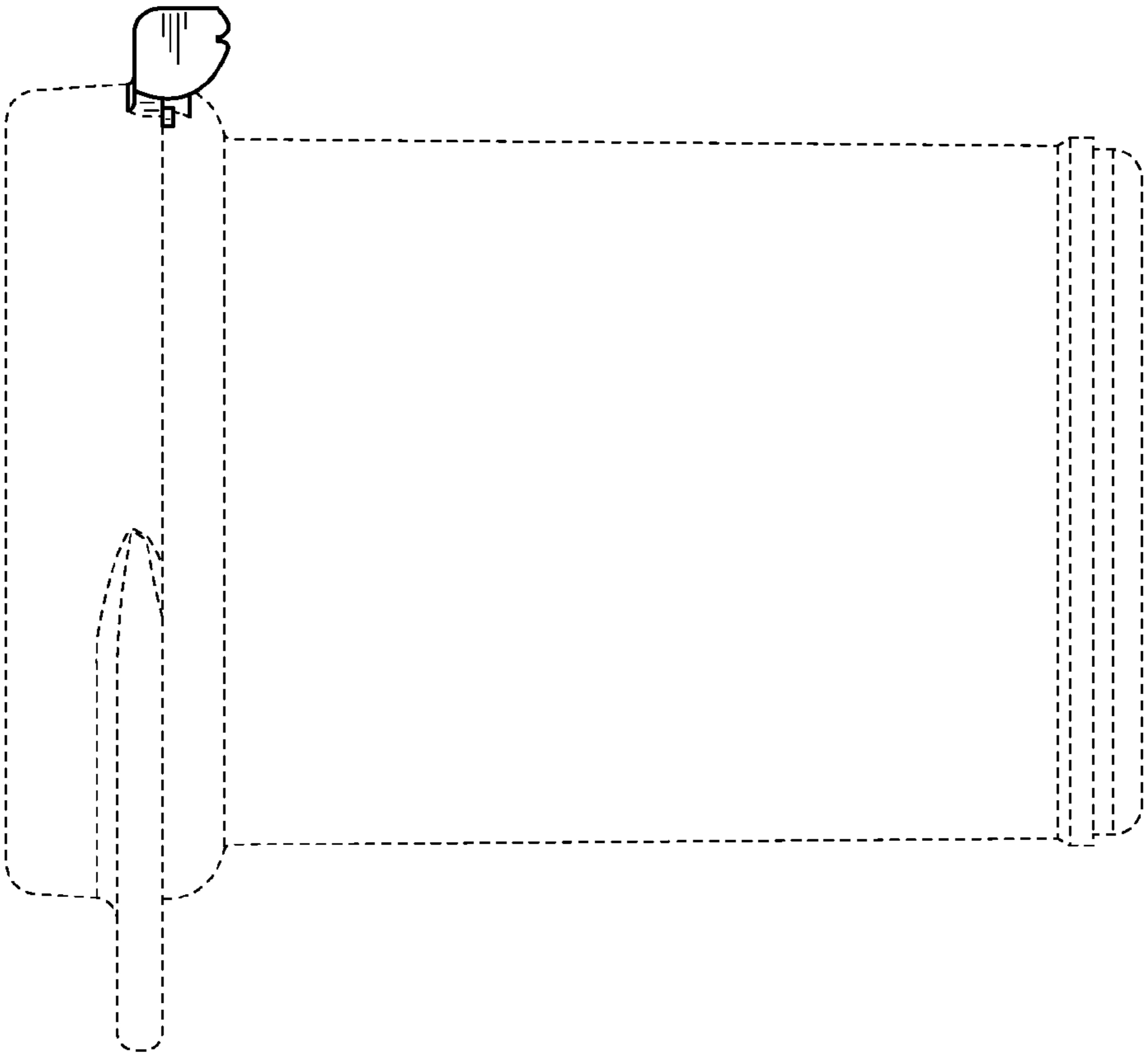


FIG. 9

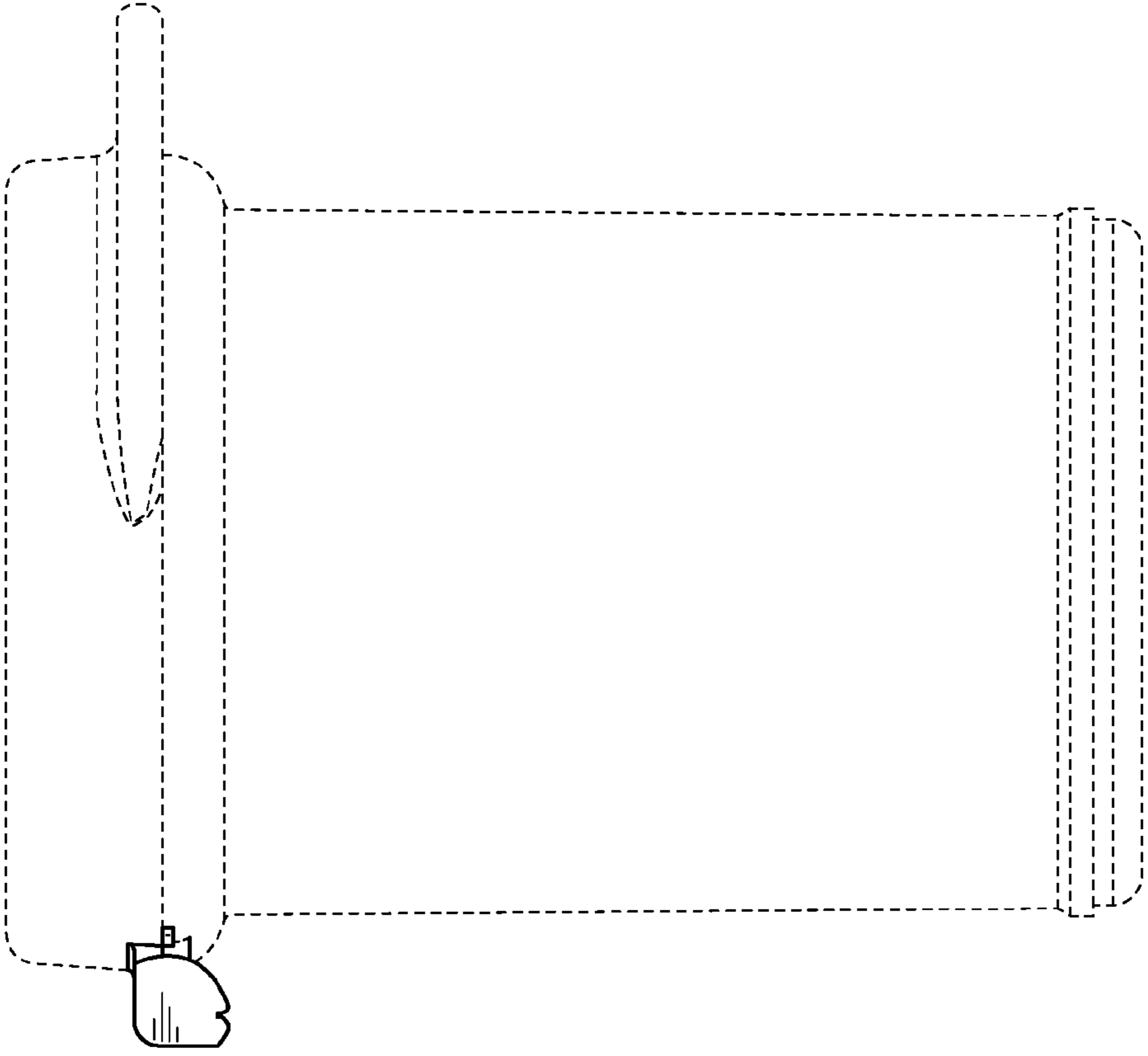


FIG. 8

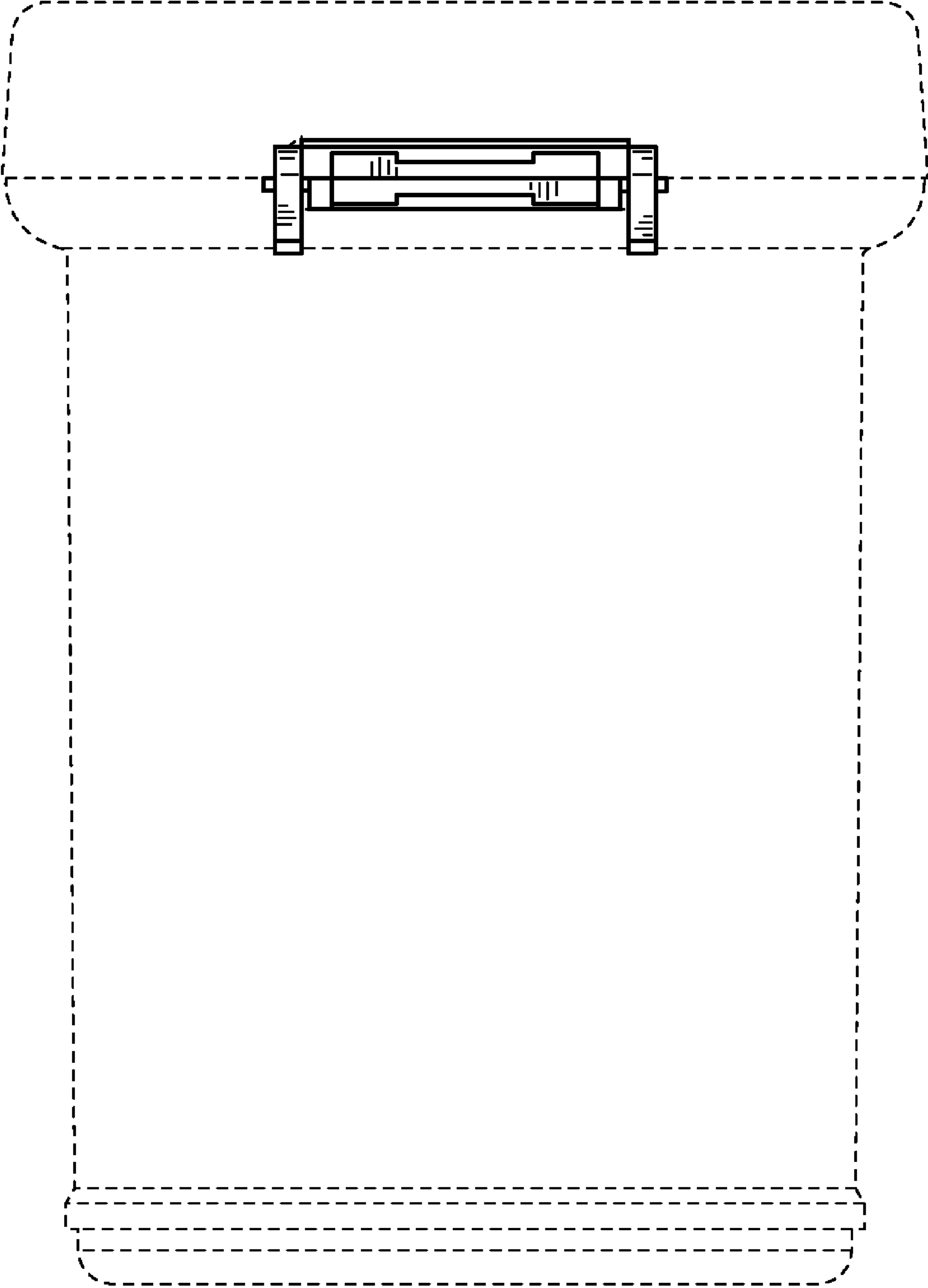


FIG. 10

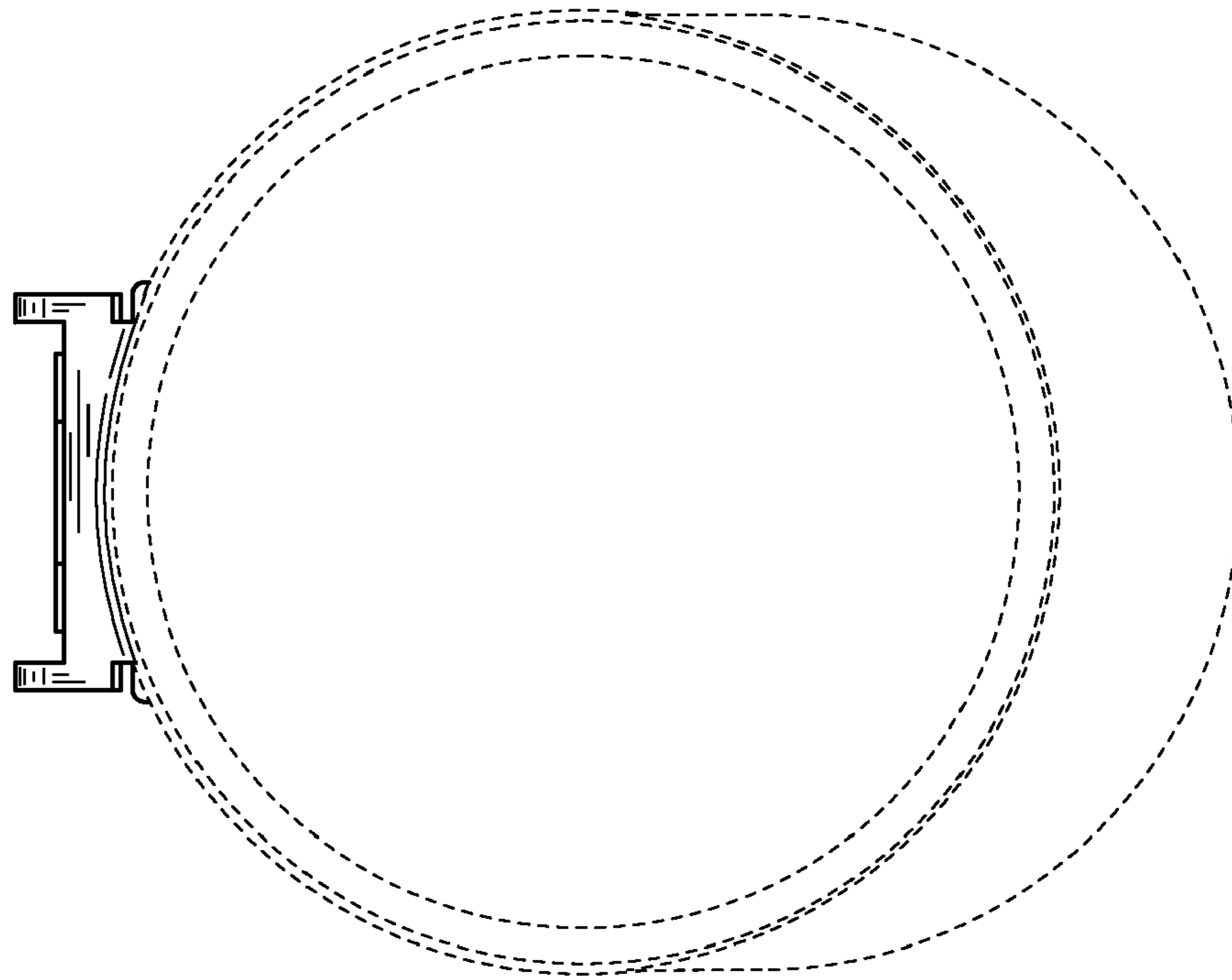


FIG. 11

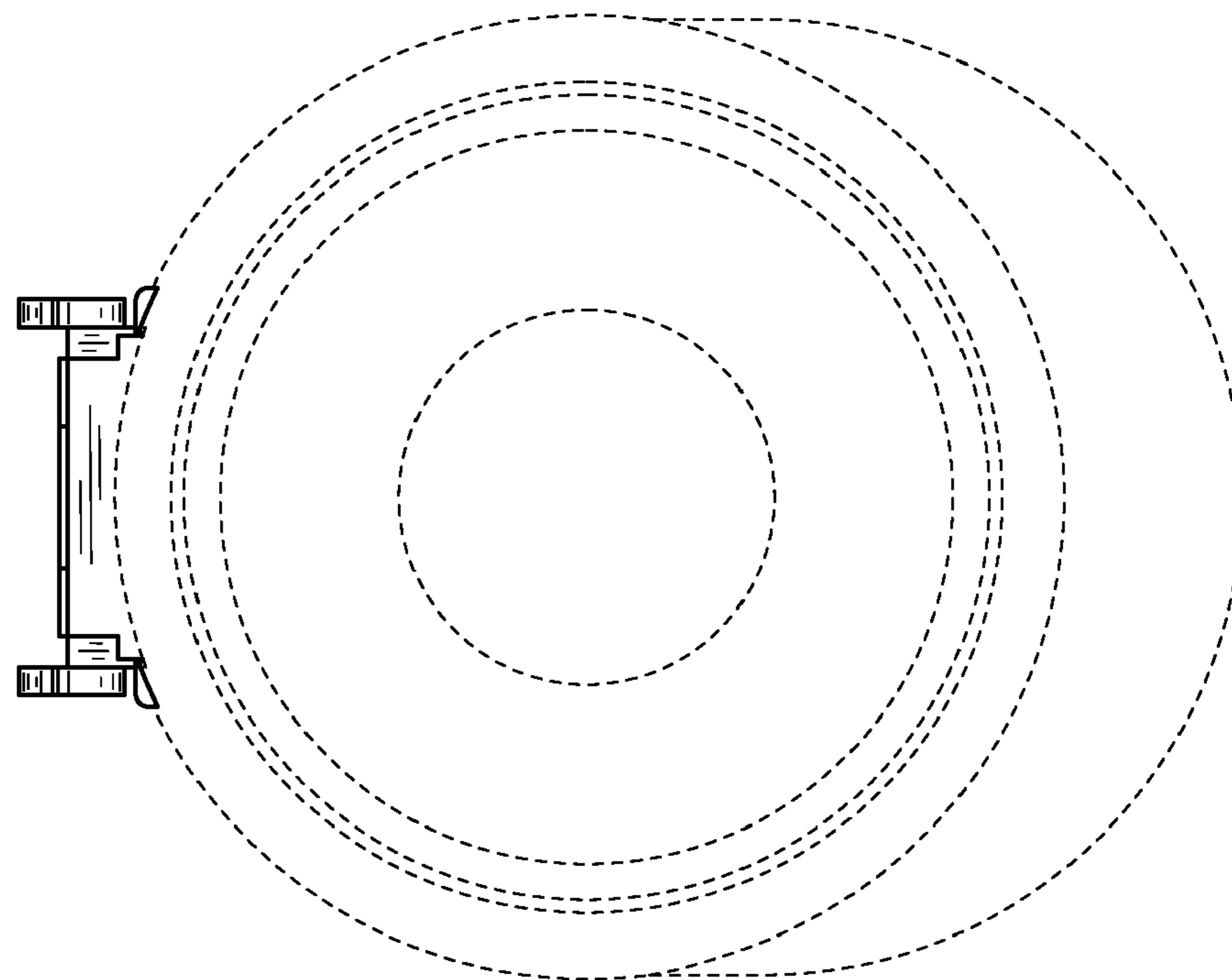


FIG. 12

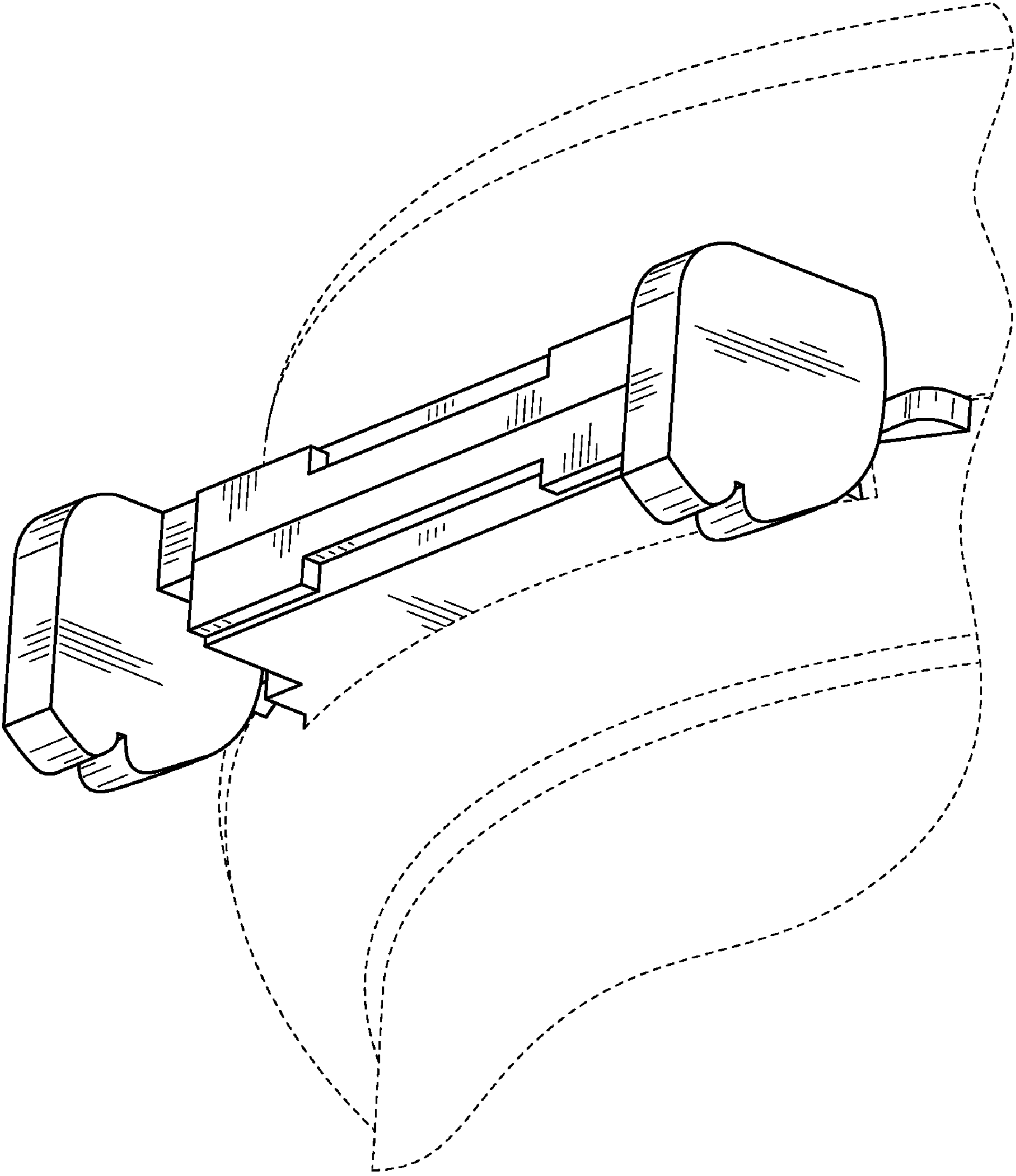


FIG. 13

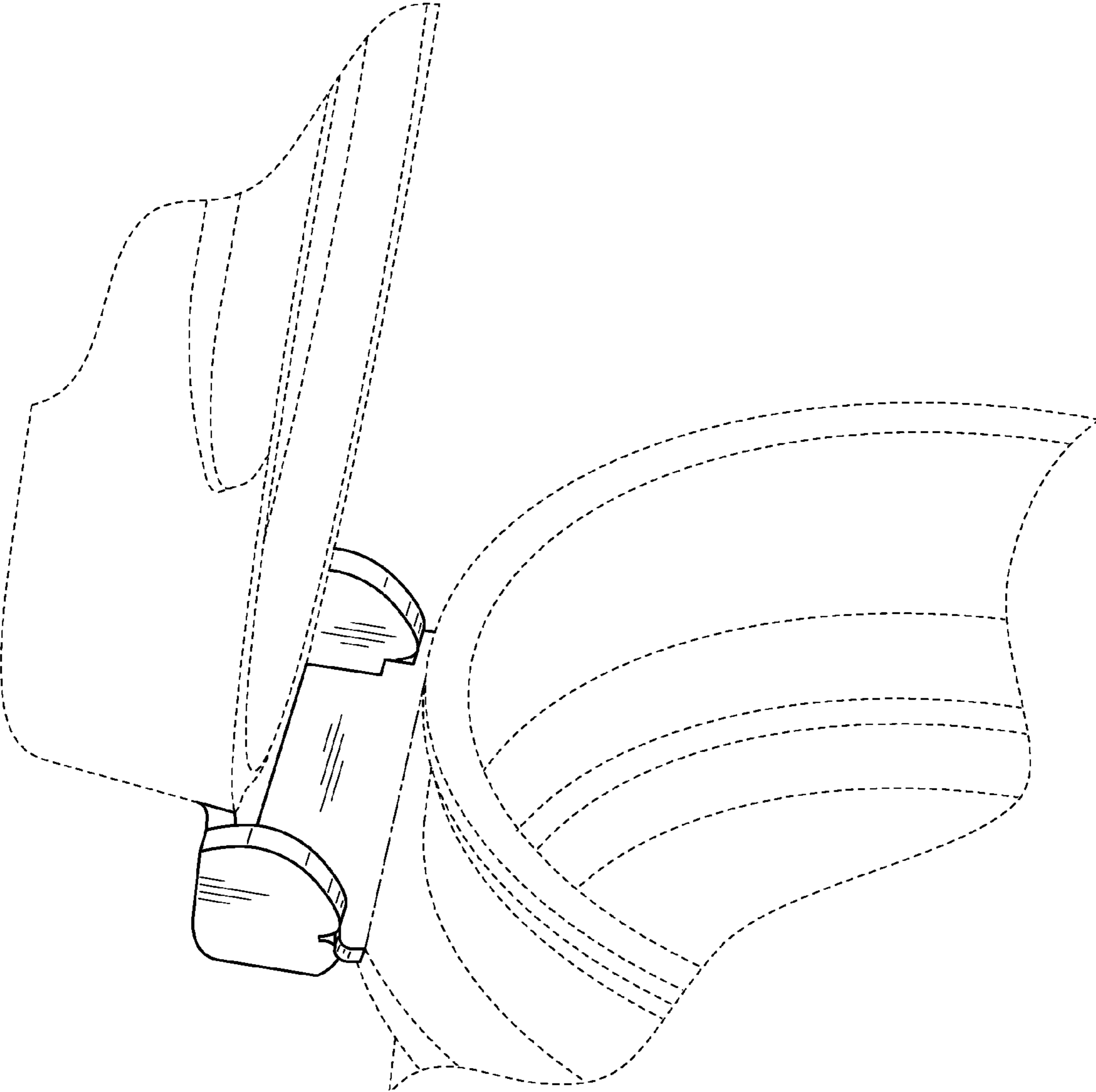


FIG. 14