



US00D641086S

(12) **United States Design Patent**
Garren et al.

(10) **Patent No.:** **US D641,086 S**
(45) **Date of Patent:** **** Jul. 5, 2011**

(54) **VIAL**

(75) Inventors: **Robert Garren**, Fultonville, NY (US);
Ronald Supranowicz, Lenox, MA (US)

(73) Assignee: **Capitol Plastic Products, LLC**, Auburn, AL (US)

(**) Term: **14 Years**

(21) Appl. No.: **29/357,182**

(22) Filed: **Mar. 8, 2010**

(51) **LOC (9) Cl.** **24-01**

(52) **U.S. Cl.** **D24/224**

(58) **Field of Classification Search** D24/216,
D24/222–226, 231, 232, 169; D10/81;
D3/203.1–203.8; 422/99, 102; D9/503,
D9/504, 505, 529, 549, 434, 445, 499, 435;
435/288.1, 288.3, 288.4, 304.1, 305.1, 305.3,
435/305.4; D34/10; D8/323, 326–328
See application file for complete search history.

(56) **References Cited**

U.S. PATENT DOCUMENTS

D400,332 S *	10/1998	Sanden, Jr.	D34/10
D486,452 S *	2/2004	Dinh	D13/156
D491,275 S *	6/2004	Walters et al.	D24/224
D561,904 S *	2/2008	Neel et al.	D24/216
7,597,853 B2 *	10/2009	West et al.	422/102
D608,011 S *	1/2010	Giraud et al.	D24/224
D621,951 S *	8/2010	Bucholtz et al.	D24/224

* cited by examiner

Primary Examiner — T. Chase Nelson
Assistant Examiner — Anhdao Doan

(74) *Attorney, Agent, or Firm* — McAndrews, Held & Malloy, Ltd.

(57) **CLAIM**
The ornamental design for a vial, as shown and described.

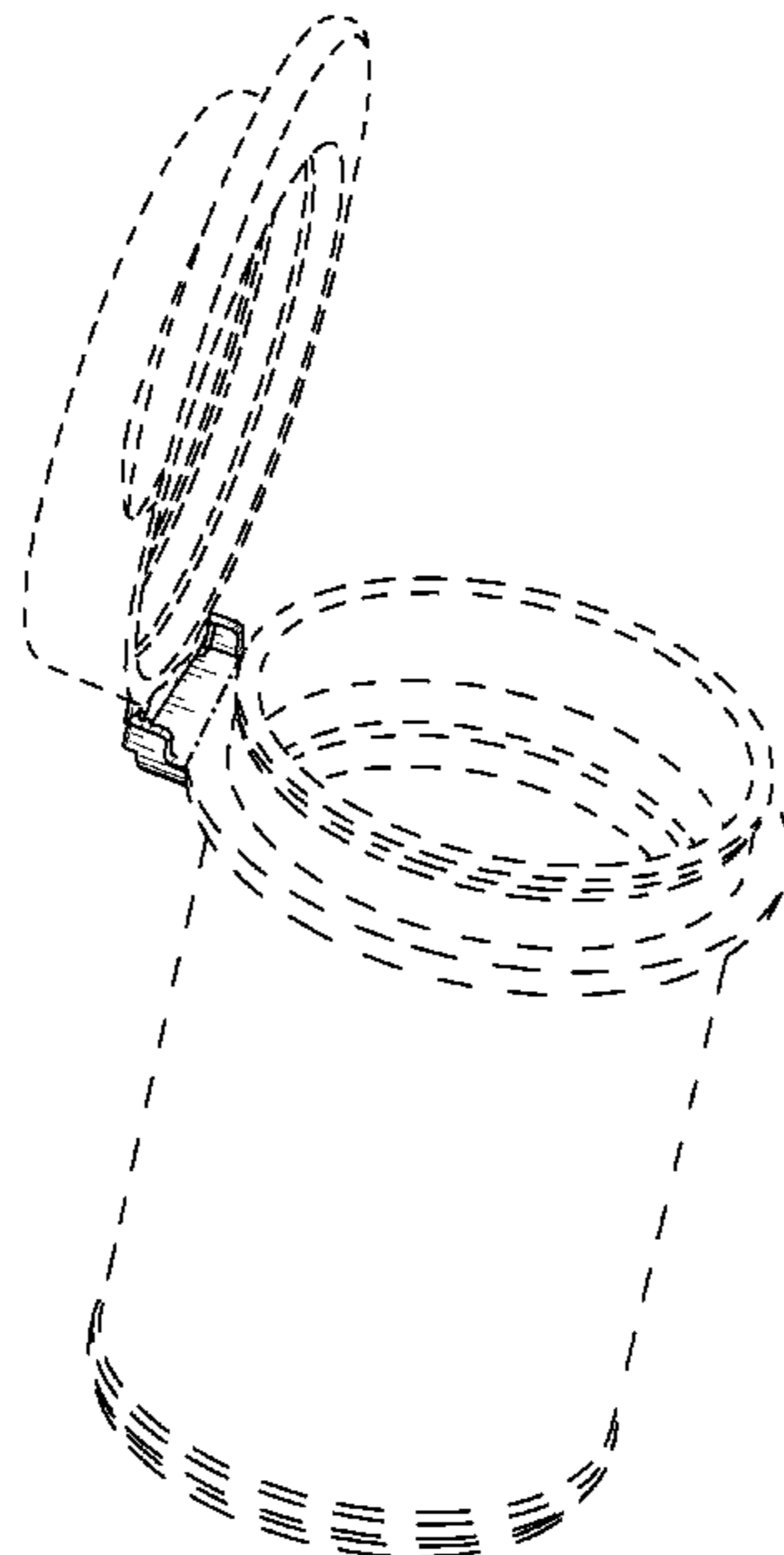
DESCRIPTION

FIG. 1 is a front, left, top perspective view showing our new design in open position;
FIG. 2 is a left side elevation view thereof;
FIG. 3 is a rear elevation view thereof;
FIG. 4 is a top plan view thereof;
FIG. 5 is a bottom plan view thereof;
FIG. 6 is an enlarged fragmentary rear, left, bottom perspective view thereof;
FIG. 7 is a front, left, top perspective view of our new design in closed position;
FIG. 8 is a left side elevation view thereof;
FIG. 9 is a right side elevation view thereof;
FIG. 10 is a rear elevation view thereof;
FIG. 11 is a top plan view thereof;
FIG. 12 is a bottom plan view thereof;
FIG. 13 is an enlarged fragmentary rear, left, bottom perspective view thereof; and,
FIG. 14 is an enlarged fragmentary front, right, top perspective view in open position.

The broken lines in the drawings are included for the purpose of illustrating environmental subject matter and form no part of the claimed design.

The dash-dot lines in FIGS. 1, 4 and 14 represent the bounds of the claim, and all other broken lines are included for the purpose of illustrating portions of the vial that form no part of the claimed design. None of the broken lines form a part of the claimed design.

1 Claim, 11 Drawing Sheets



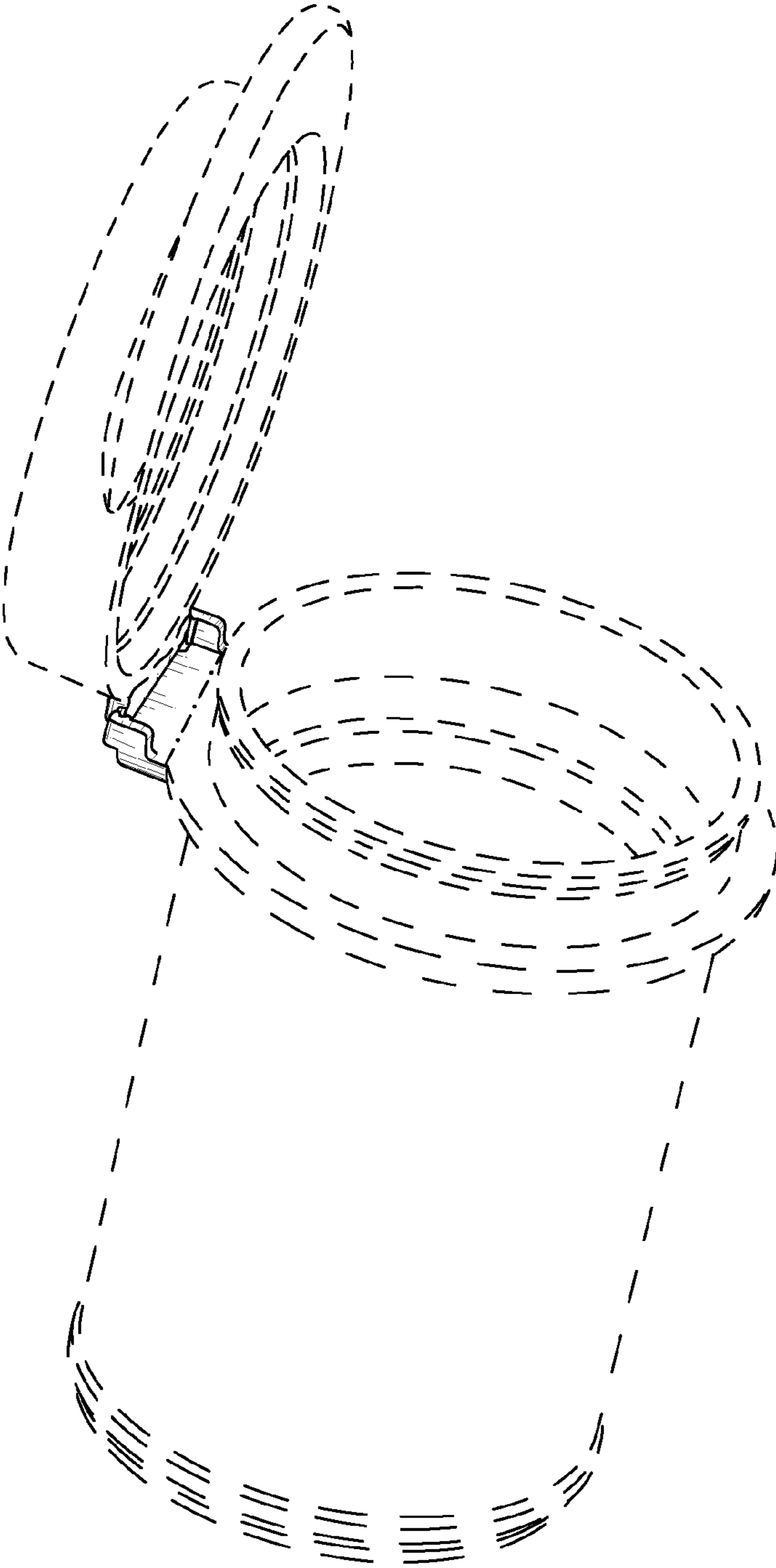


FIG. 1

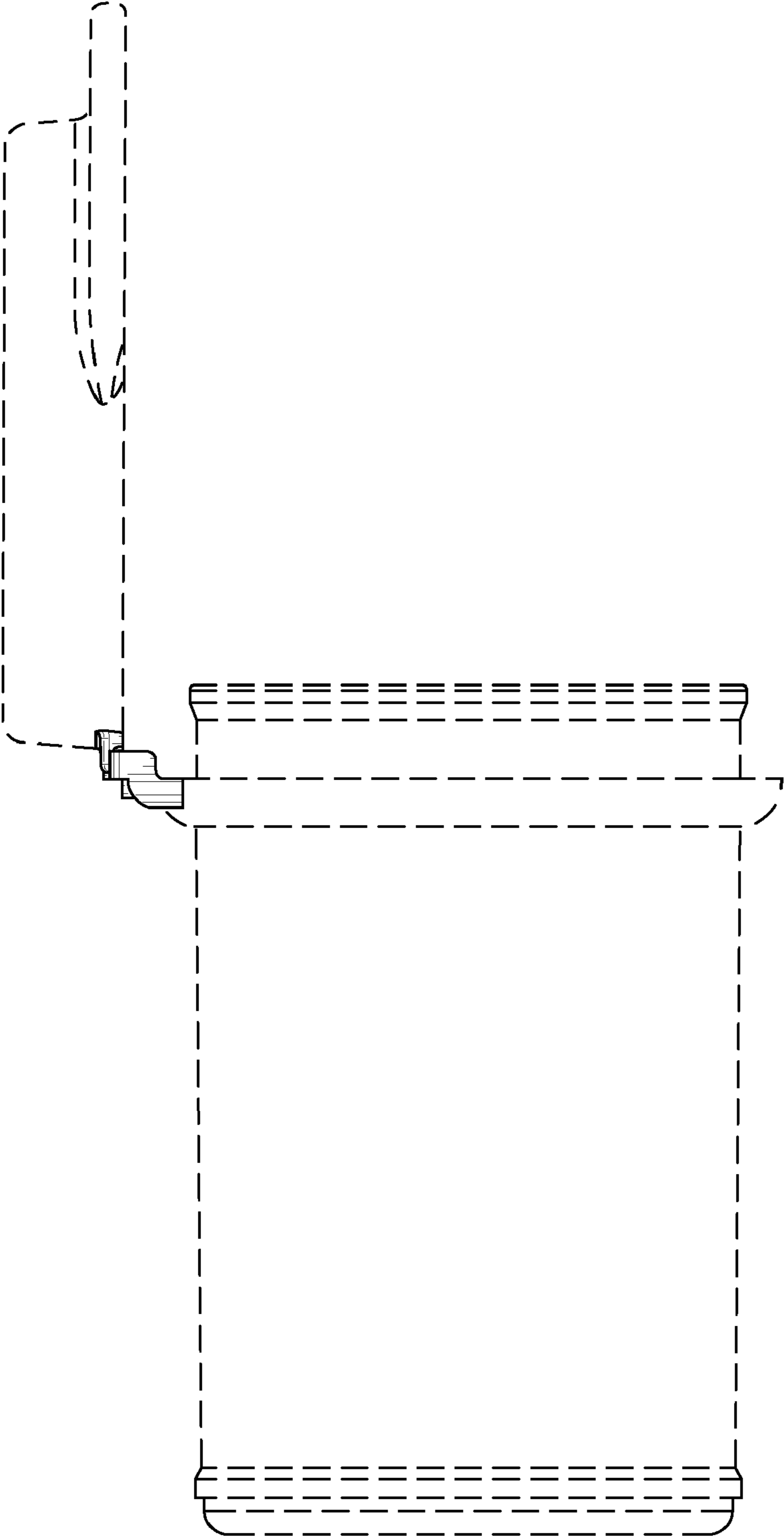


FIG. 2

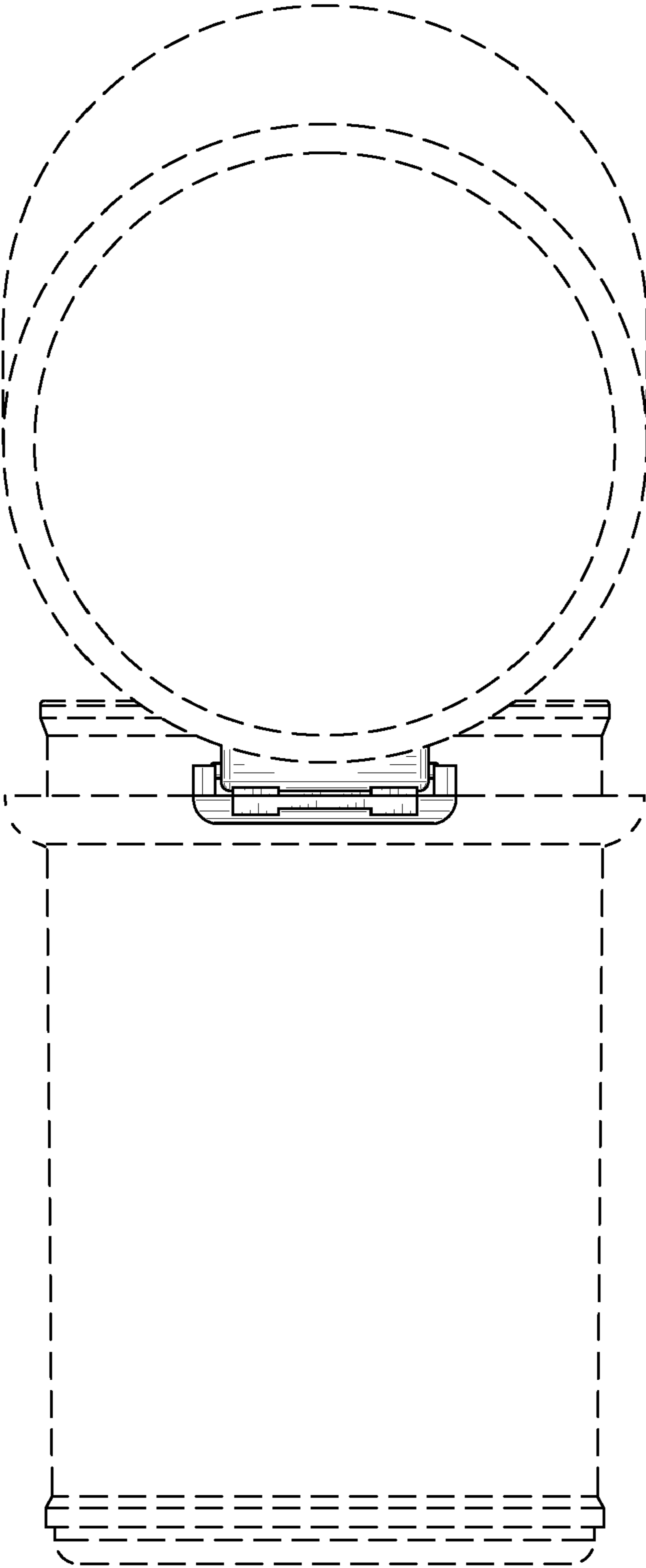


FIG. 3

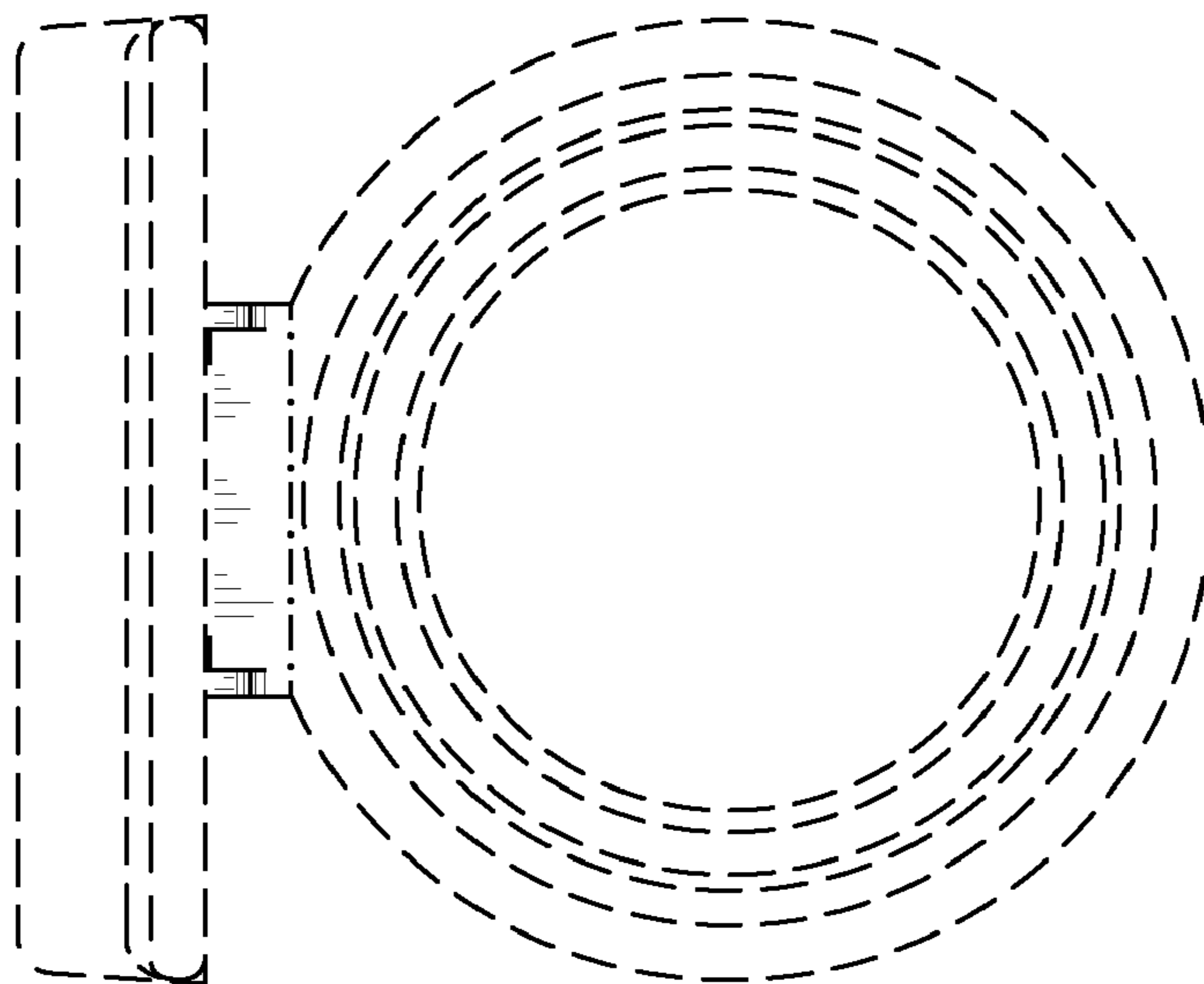


FIG. 4

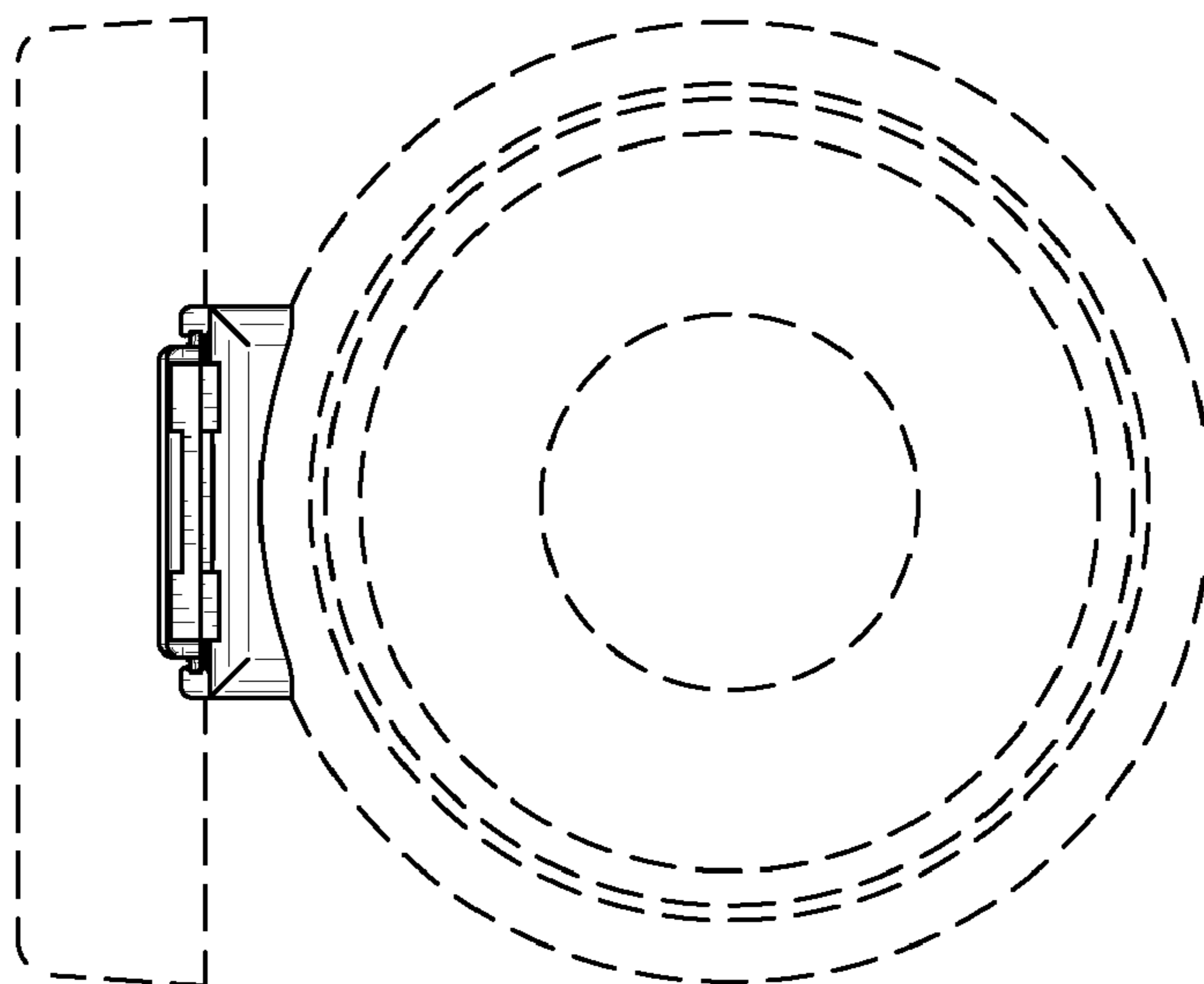


FIG. 5

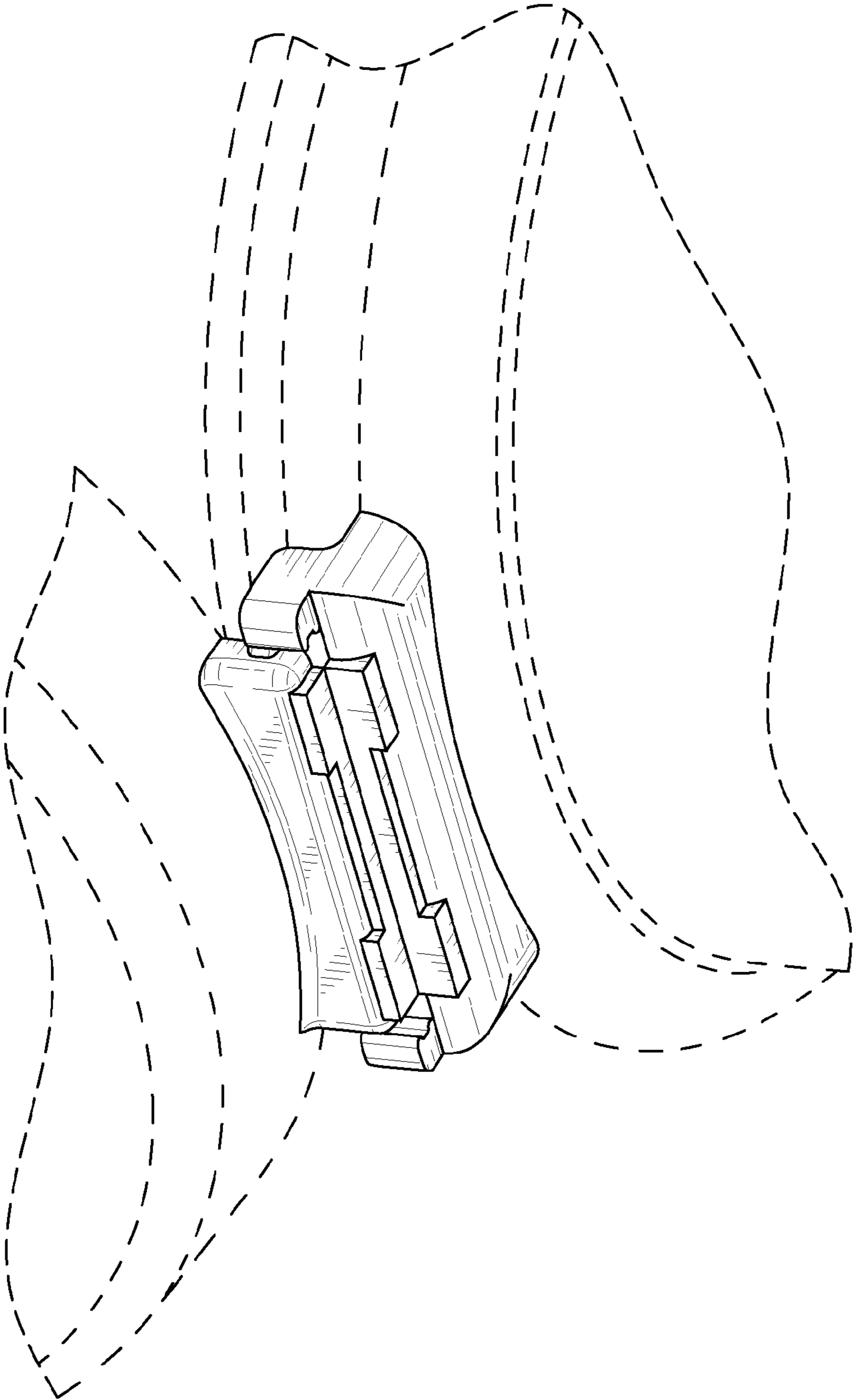


FIG. 6

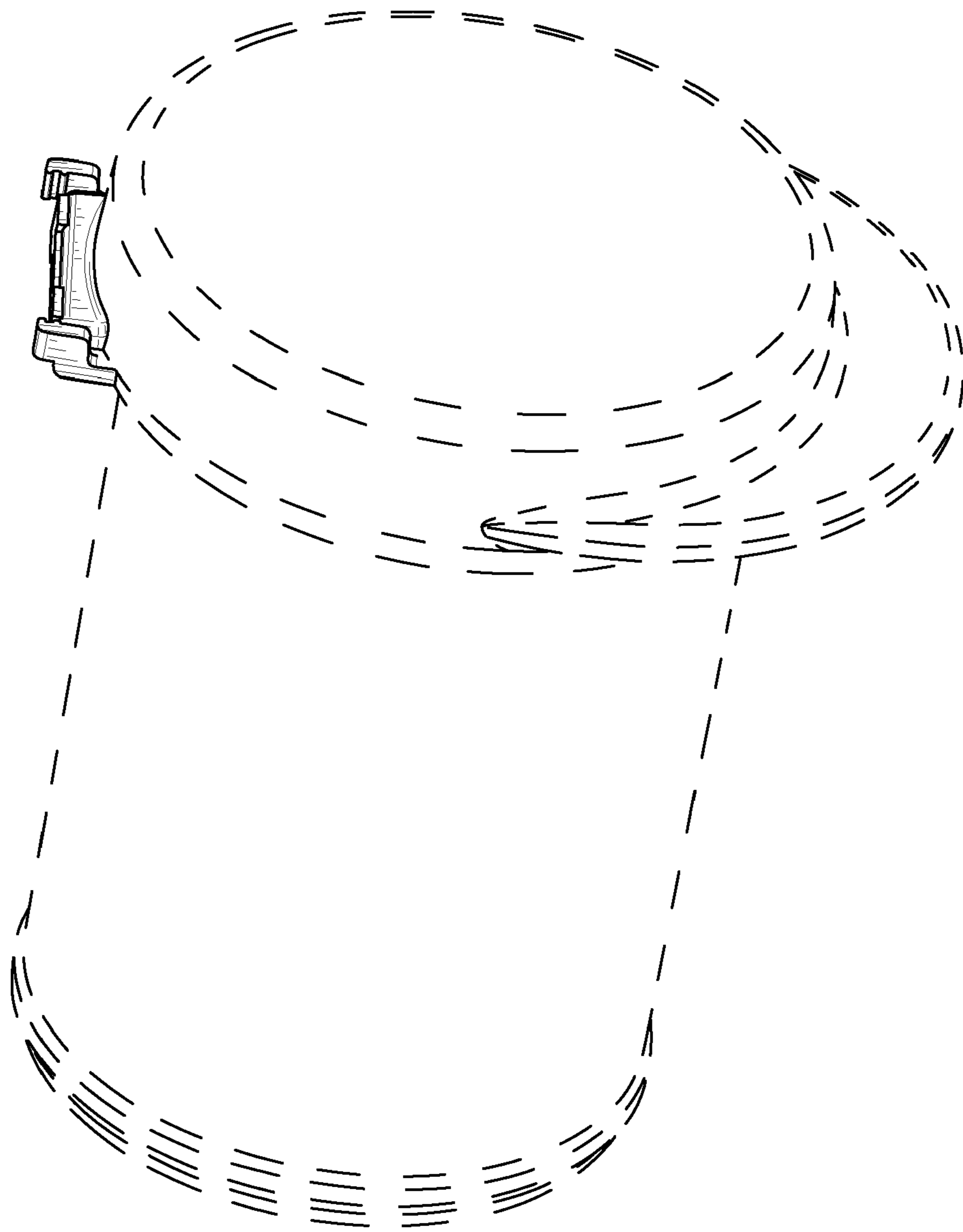


FIG. 7

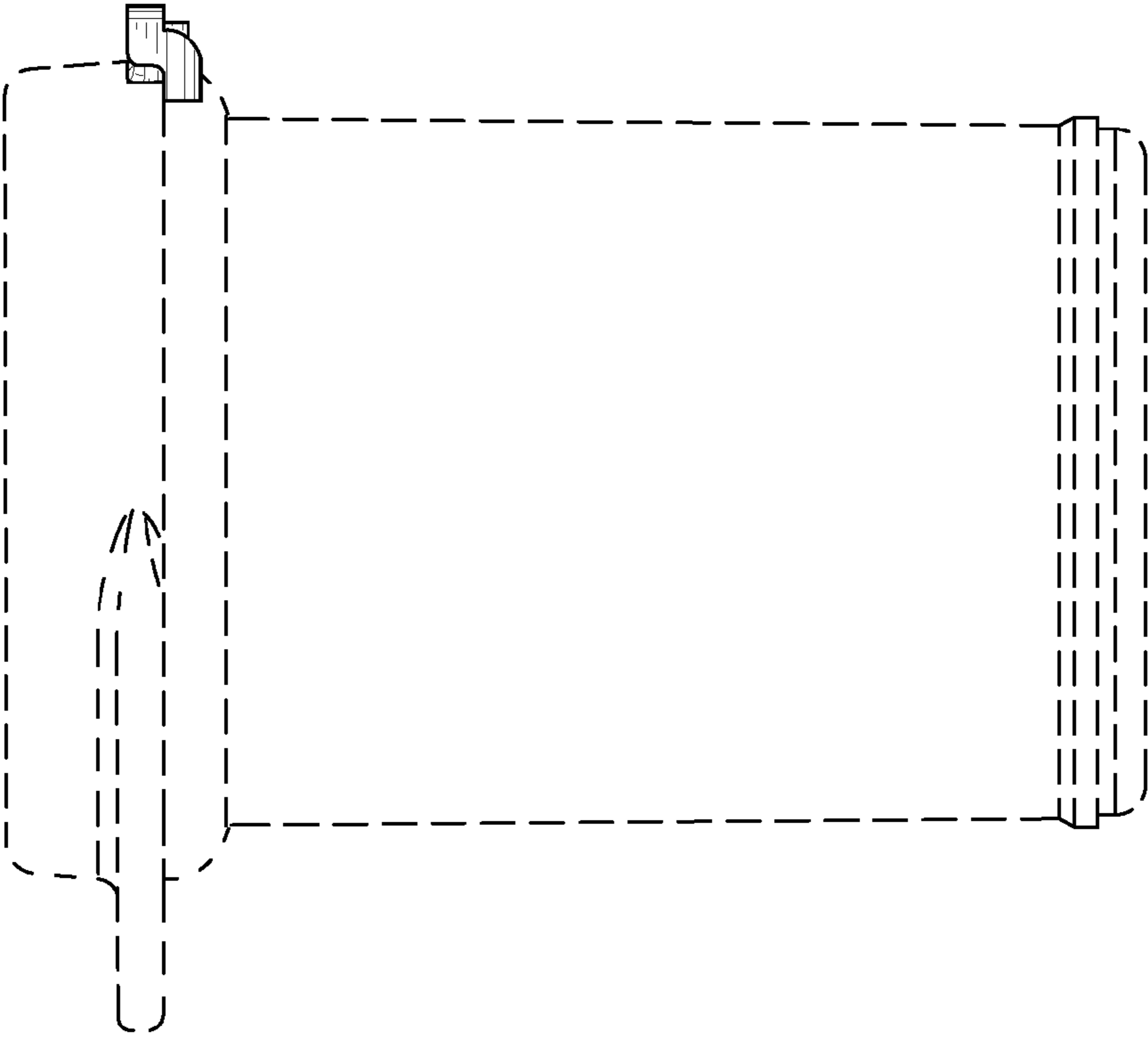


FIG. 9

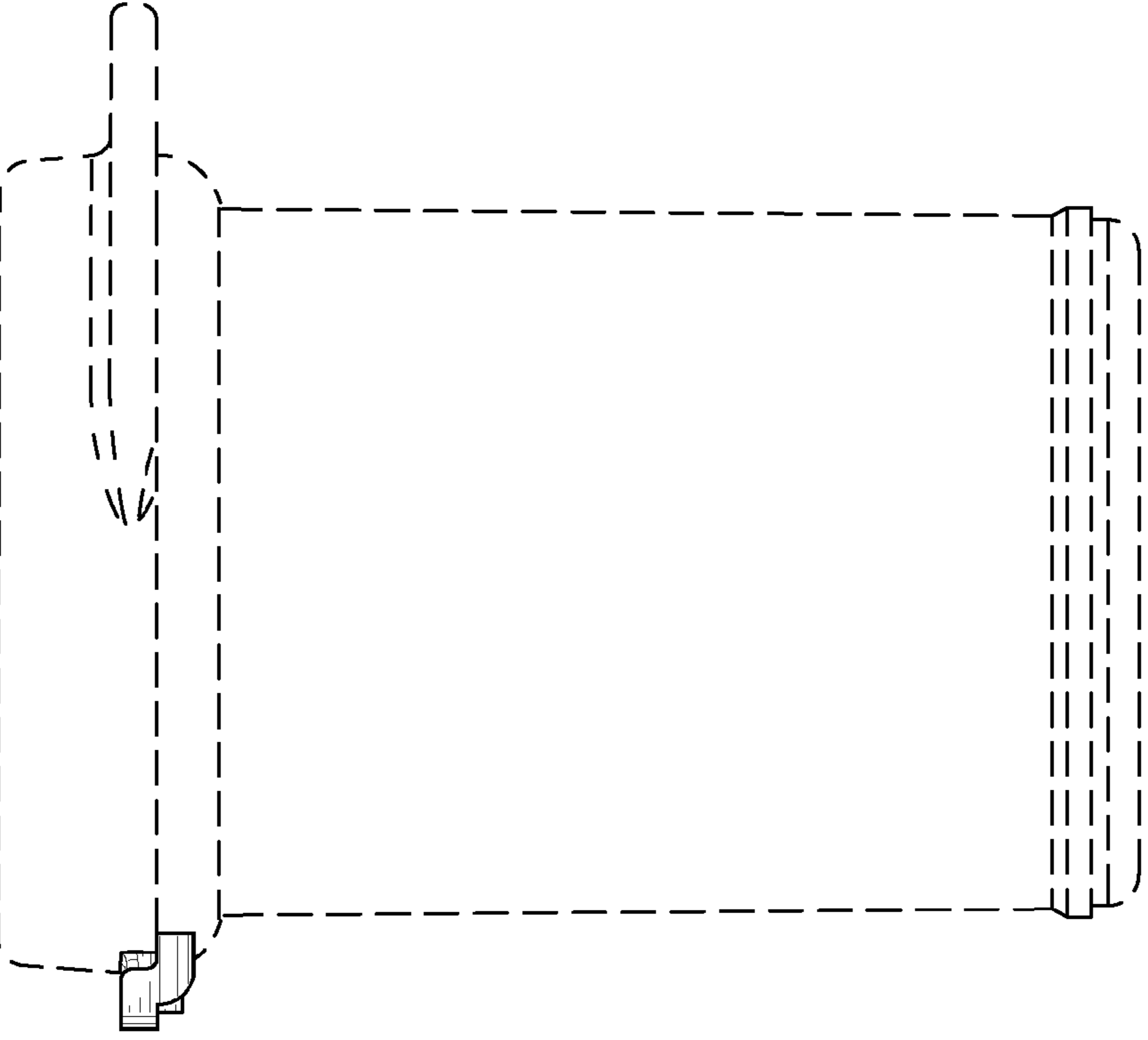


FIG. 8

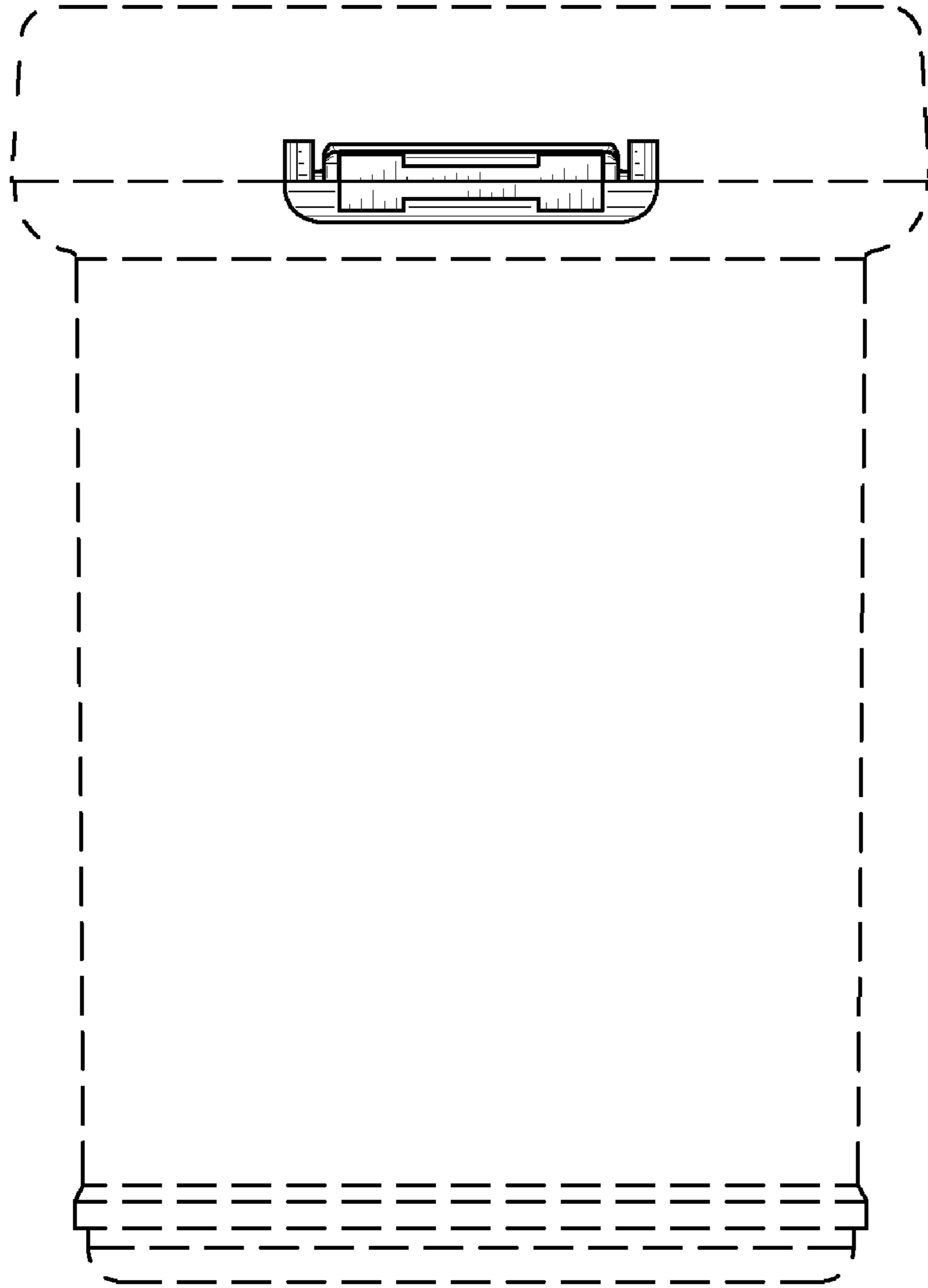


FIG. 10

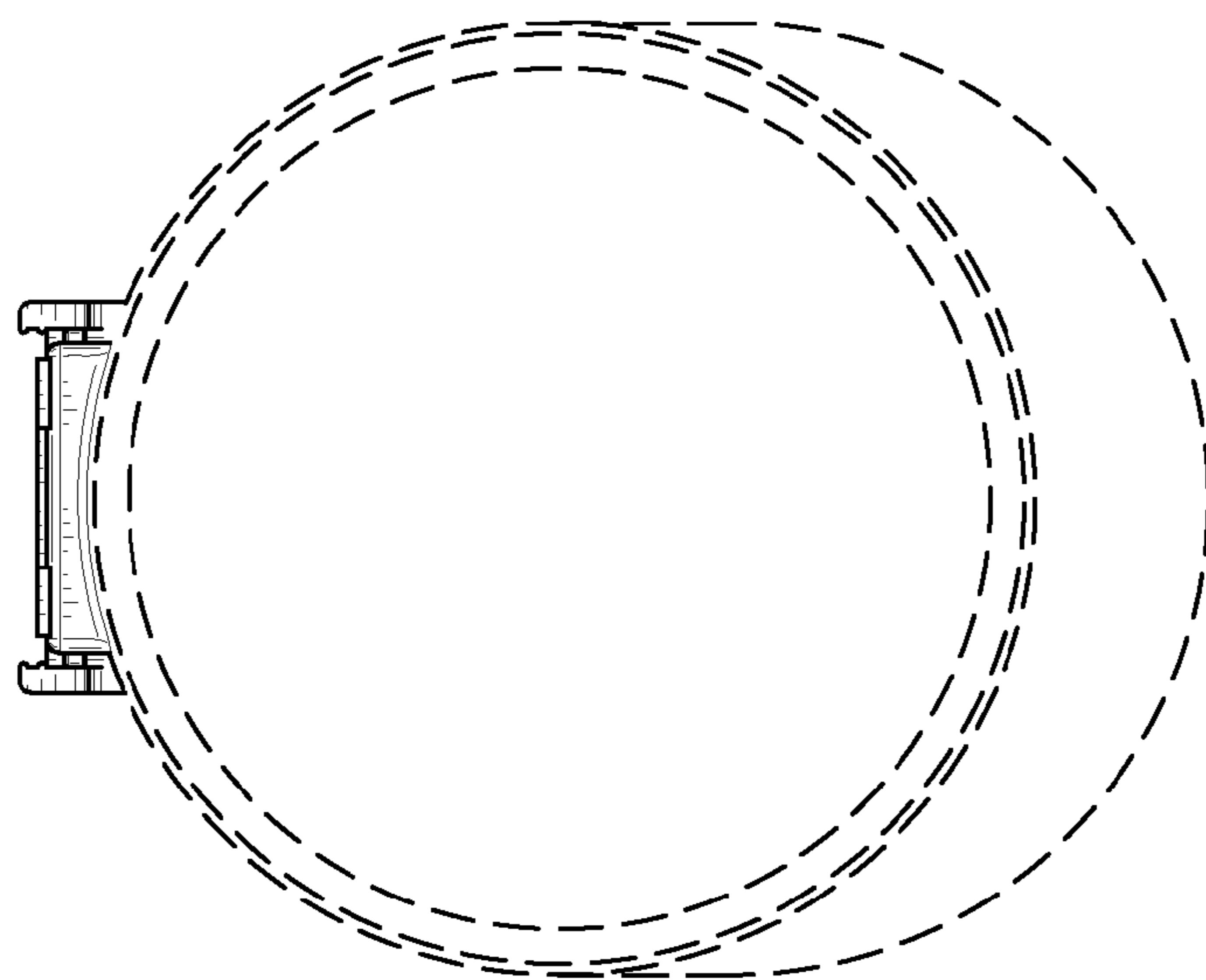


FIG. 11

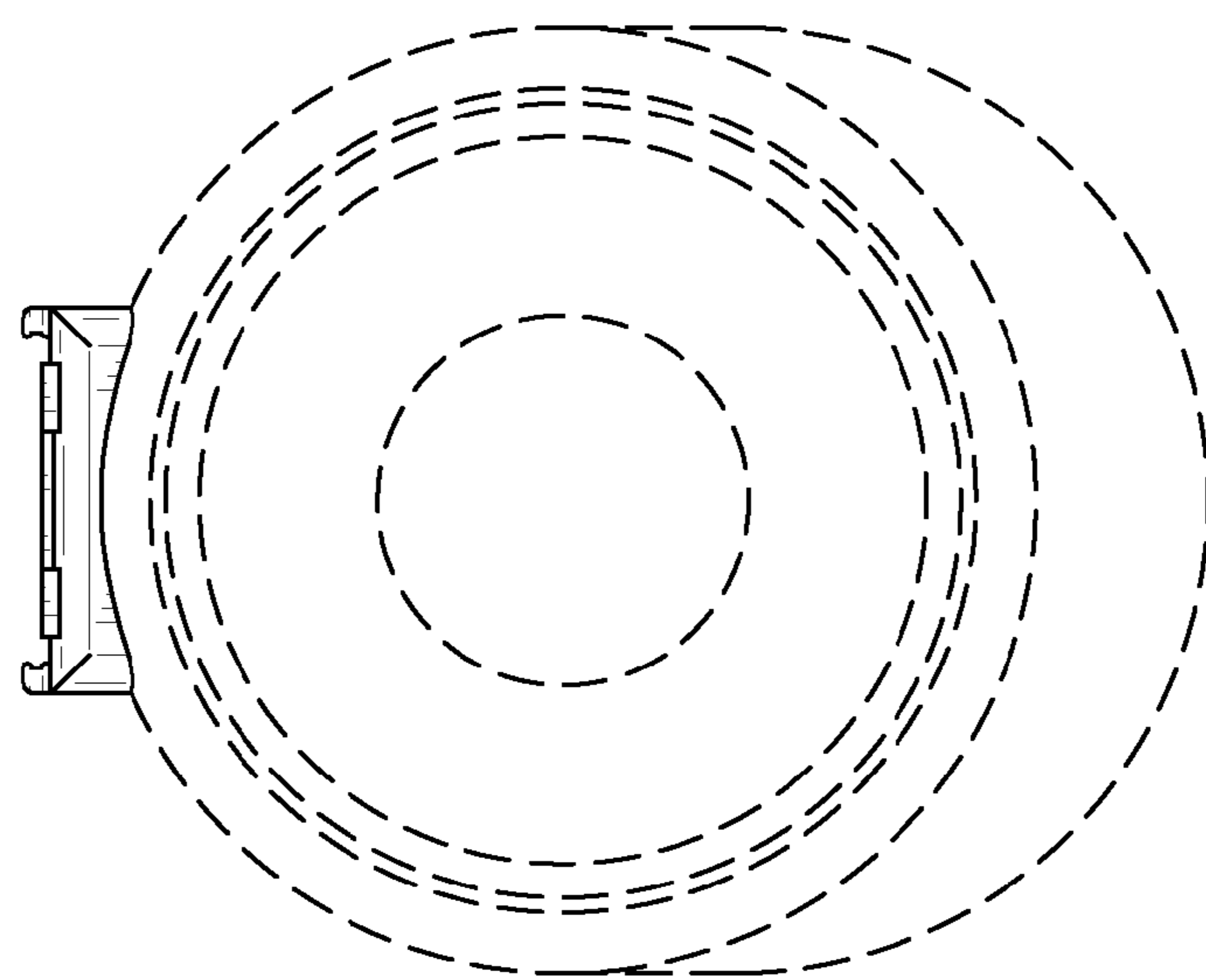


FIG. 12

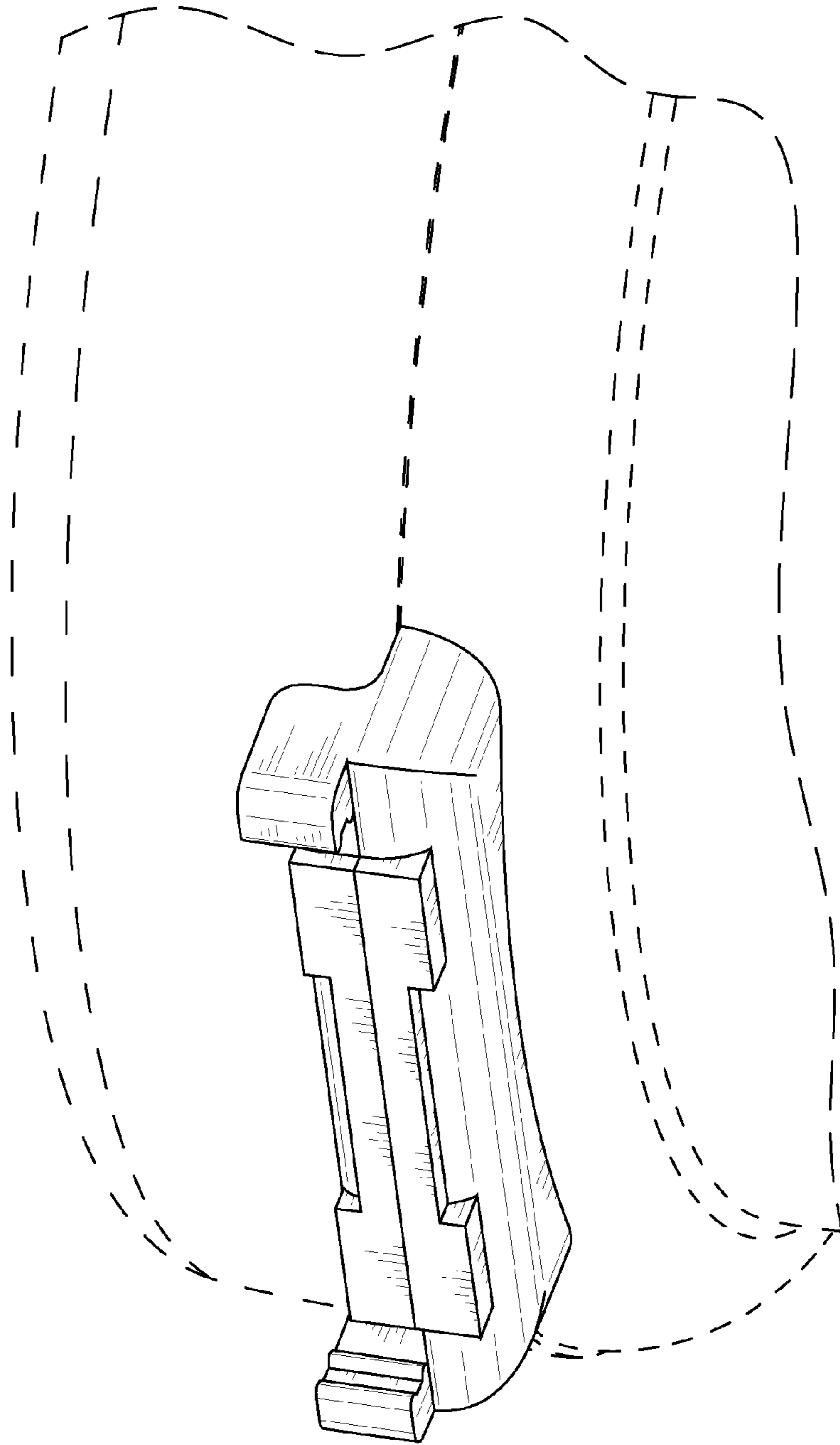


FIG. 13

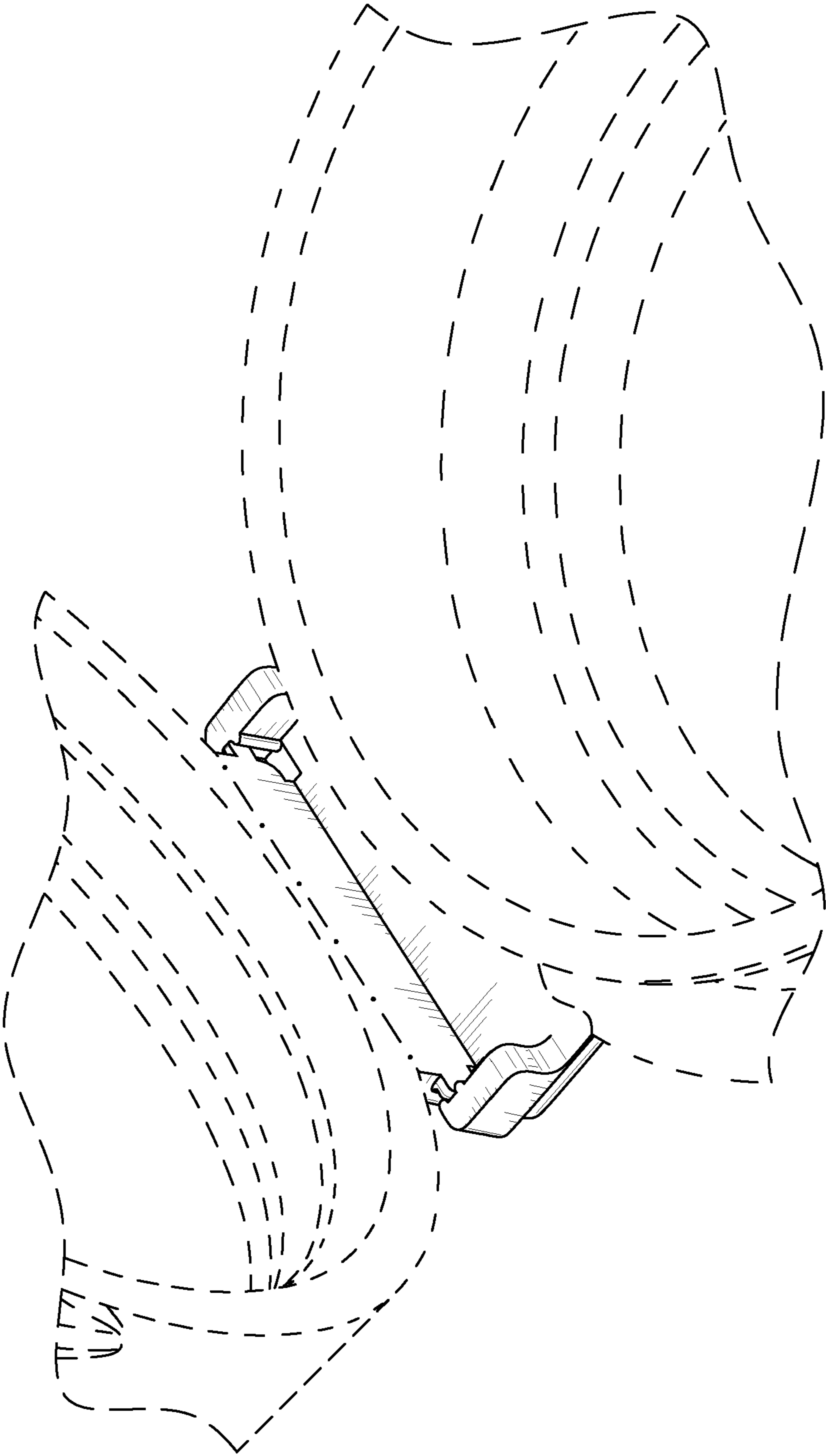


FIG. 14