



US00D641085S

(12) **United States Design Patent**  
**Anderson et al.**

(10) **Patent No.:** **US D641,085 S**

(45) **Date of Patent:** **\*\* Jul. 5, 2011**

(54) **ORTHOPEDIC BOOT**

(76) Inventors: **Gregory S. Anderson**, Sandy, UT (US);  
**Kade T. Huntsman**, Holladay, UT (US);  
**Dale C. Gledhill**, Sandy, UT (US);  
**Douglas R. Burrell**, Springville, UT (US); **David Xiao**, Hangzhou (CN)

(\*\*) Term: **14 Years**

(21) Appl. No.: **29/376,426**

(22) Filed: **Oct. 6, 2010**

**Related U.S. Application Data**

(63) Continuation-in-part of application No. 12/502,998, filed on Jul. 14, 2009.

(51) **LOC (9) Cl.** ..... **24-01**

(52) **U.S. Cl.** ..... **D24/192**

(58) **Field of Classification Search** ..... D24/190,  
D24/192; 602/2, 5, 22-23, 27-29, 64-65;  
D2/946-947, 953-954, 957, 960; 36/88-89;  
128/882

See application file for complete search history.

(56) **References Cited**

**U.S. PATENT DOCUMENTS**

4,962,760 A \* 10/1990 Jones ..... 602/27  
D345,421 S \* 3/1994 Schumann et al. .... D24/192  
D434,504 S \* 11/2000 Miller ..... D24/192  
D487,955 S \* 4/2004 Ammon ..... D2/953  
D589,692 S \* 4/2009 McClaskie ..... D2/957

D596,301 S \* 7/2009 Campos et al. .... D24/192  
7,618,388 B1 \* 11/2009 Chan ..... 602/23  
7,666,157 B2 \* 2/2010 Win ..... 602/23  
D619,726 S \* 7/2010 Win ..... D24/192  
7,896,826 B2 \* 3/2011 Hu et al. .... 602/23  
2002/0128574 A1 \* 9/2002 Darby ..... 602/23  
2007/0191749 A1 \* 8/2007 Barberio ..... 602/23  
2008/0269656 A1 \* 10/2008 Arnold et al. .... 602/28  
2009/0099495 A1 \* 4/2009 Campos et al. .... 602/27  
2009/0306565 A1 \* 12/2009 Chan ..... 602/28  
2011/0009791 A1 \* 1/2011 Hopmann ..... 602/23  
2011/0015555 A1 \* 1/2011 Anderson et al. .... 602/2

\* cited by examiner

*Primary Examiner* — Susan E Krakower

(74) *Attorney, Agent, or Firm* — Pate Baird, PLLC

(57) **CLAIM**

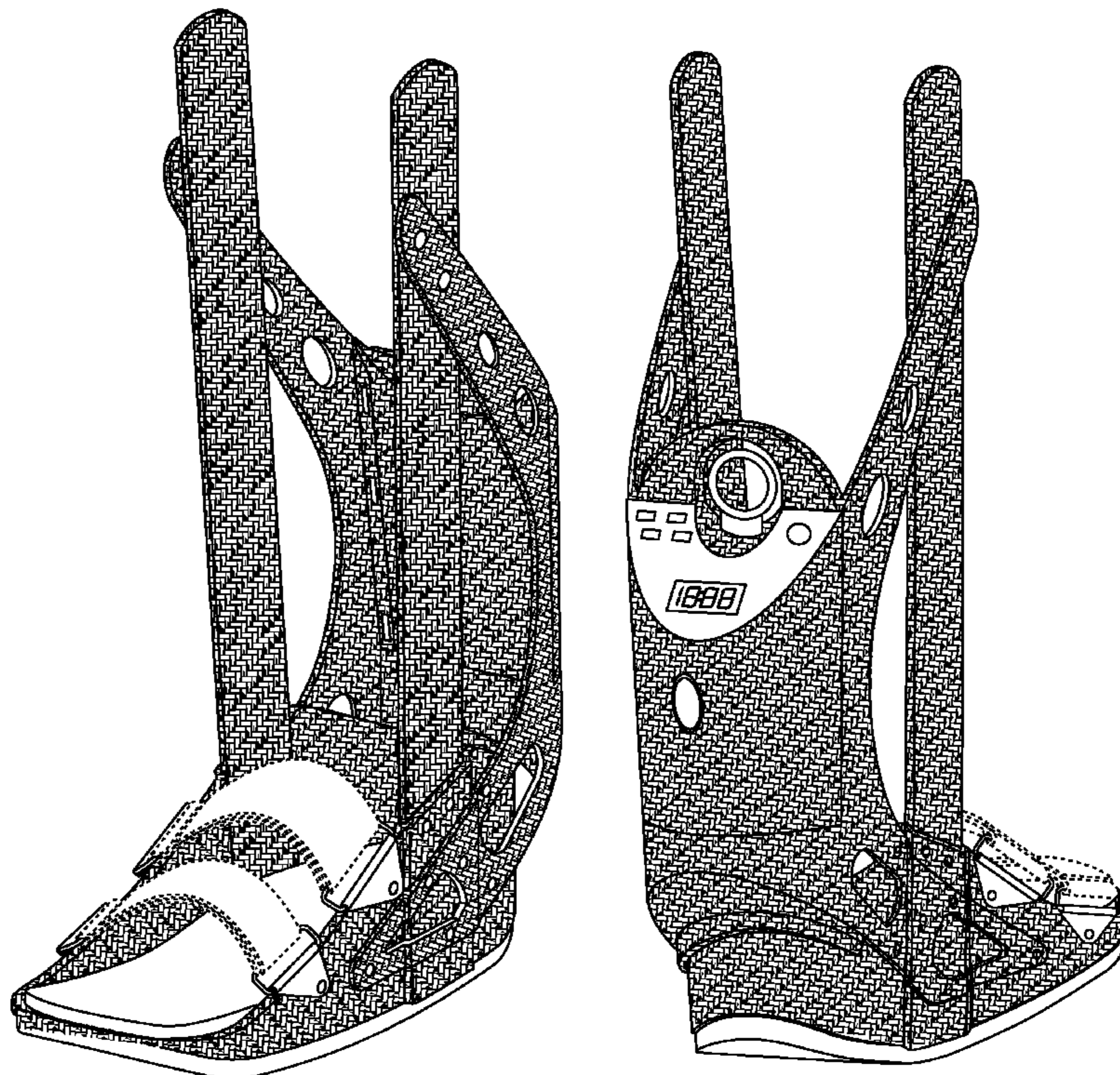
The ornamental design for a orthopedic boot, as shown and described.

**DESCRIPTION**

FIG. 1 is frontal isometric view of an orthopedic boot in accordance with our new design;  
FIG. 2 is a rear isometric view thereof;  
FIG. 3 is frontal elevation view thereof;  
FIG. 4 is rear elevation view thereof;  
FIG. 5 is right side elevation view thereof;  
FIG. 6 is left side elevation view thereof;  
FIG. 7 is top plan view thereof; and,  
FIG. 8 is bottom plan view thereof.

The broken lines illustrate portions of the orthopedic boot which forms no part of the claimed design.

**1 Claim, 6 Drawing Sheets**



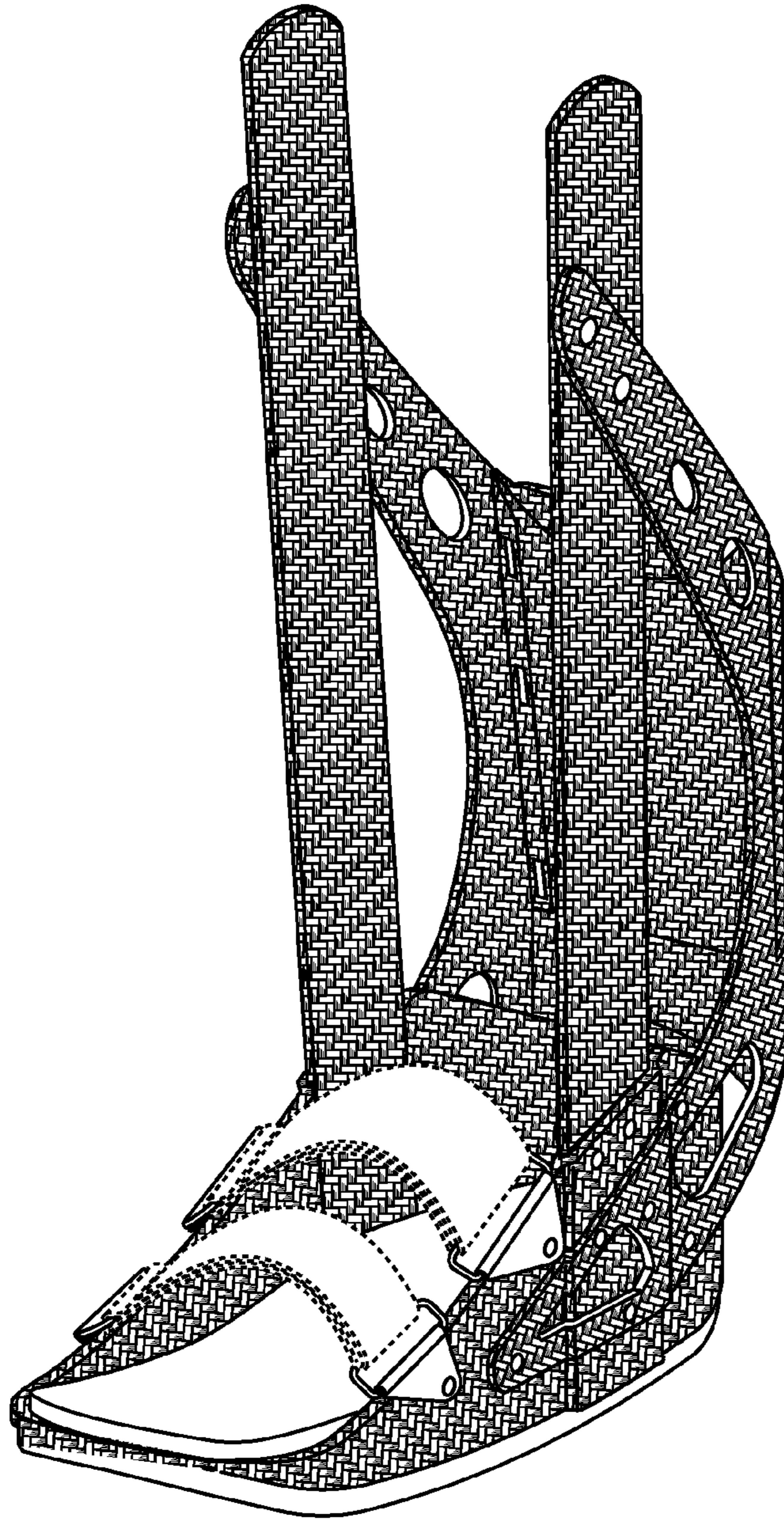


FIG. 1

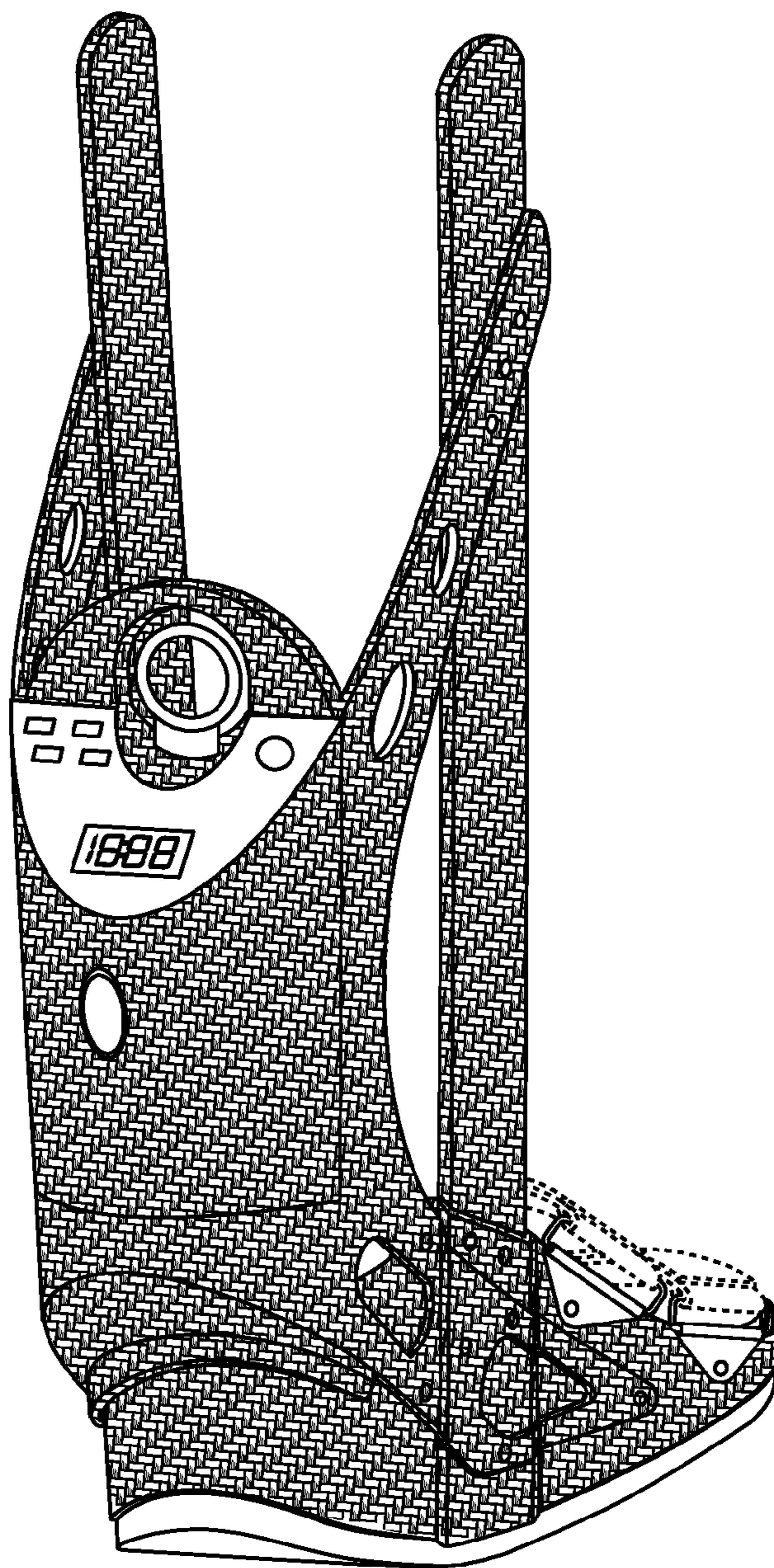


FIG. 2

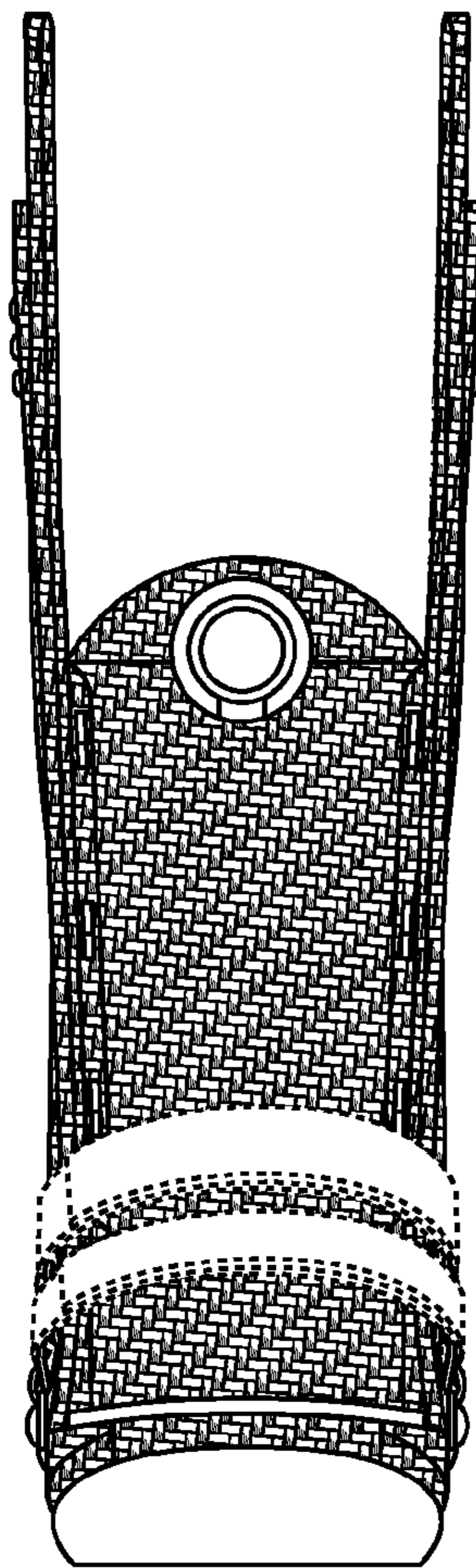


FIG. 3

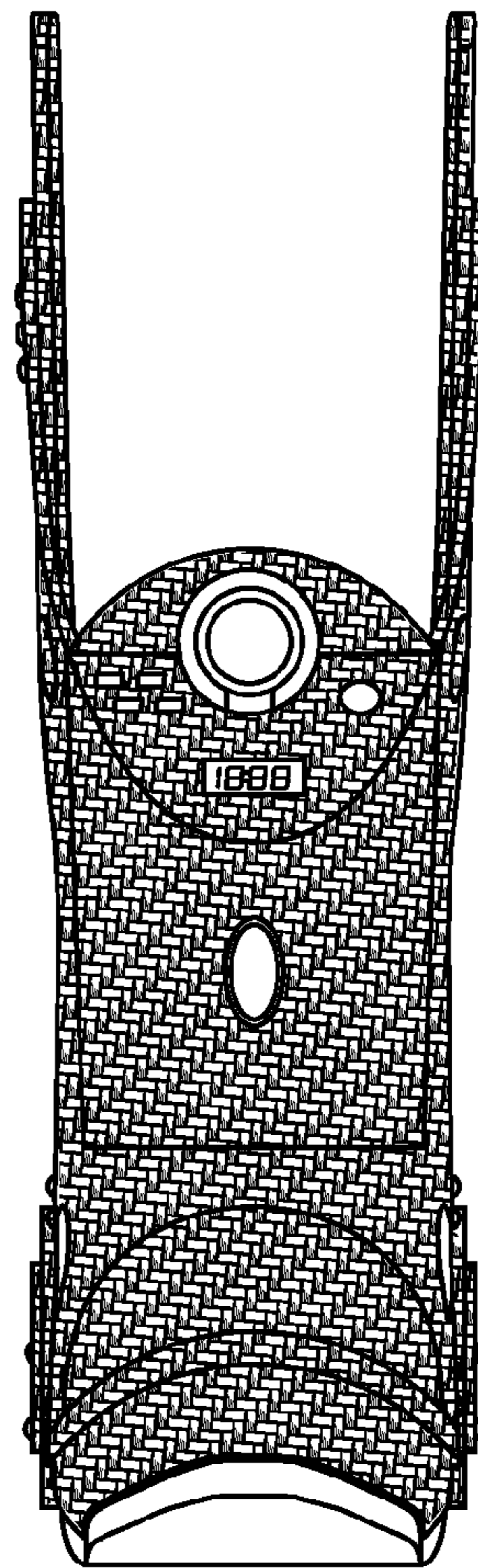


FIG. 4

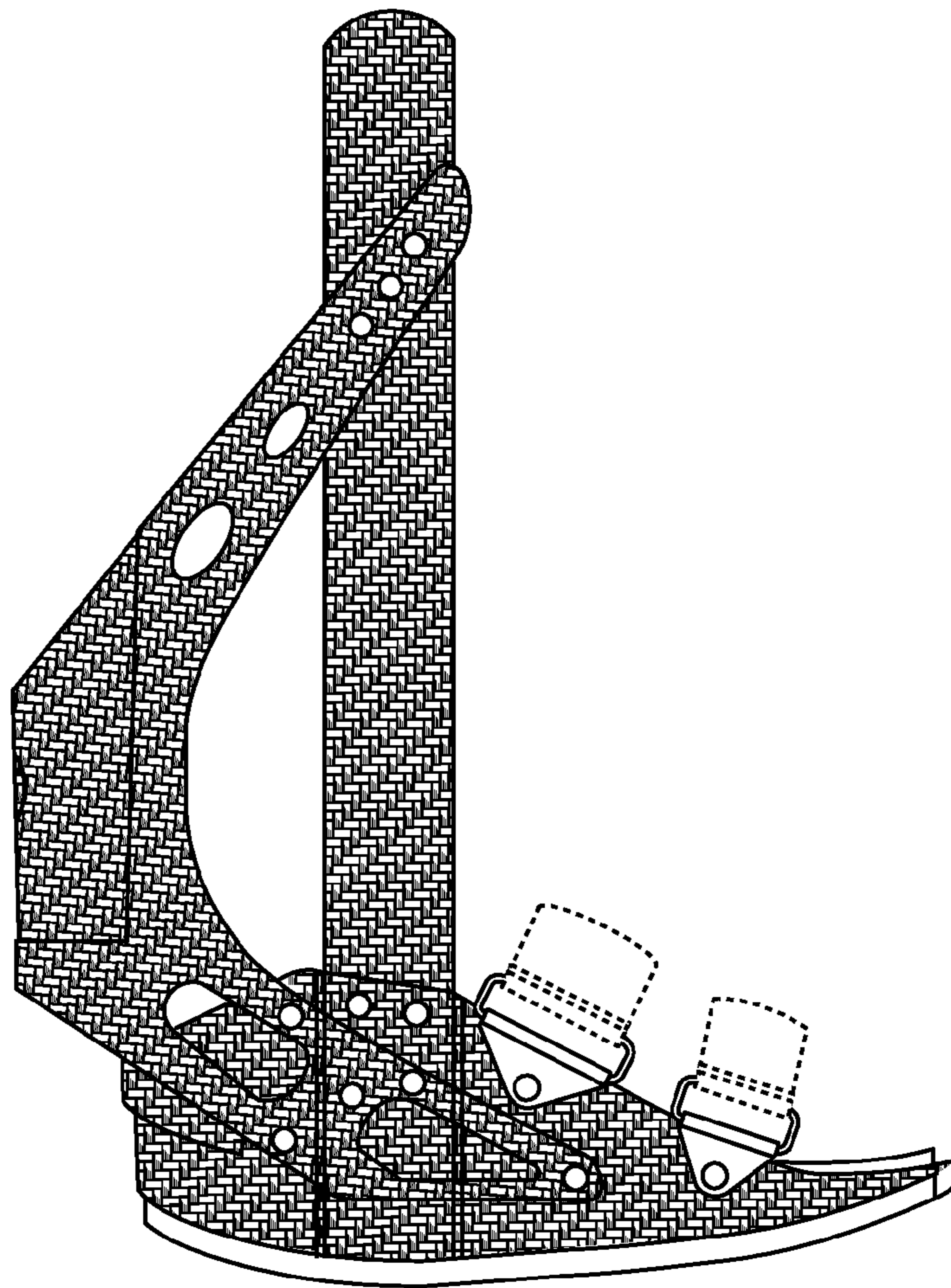


FIG. 5

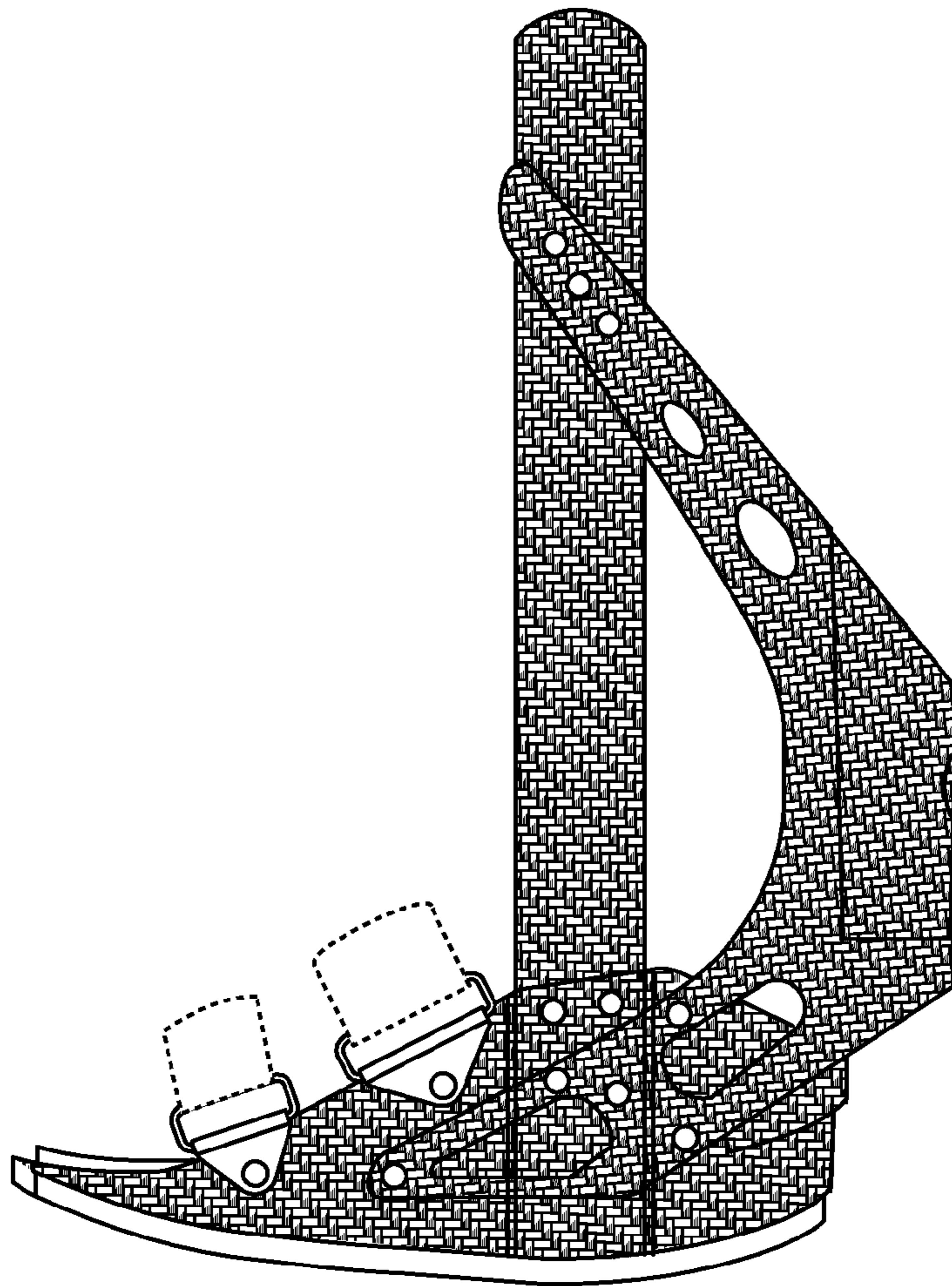


FIG. 6

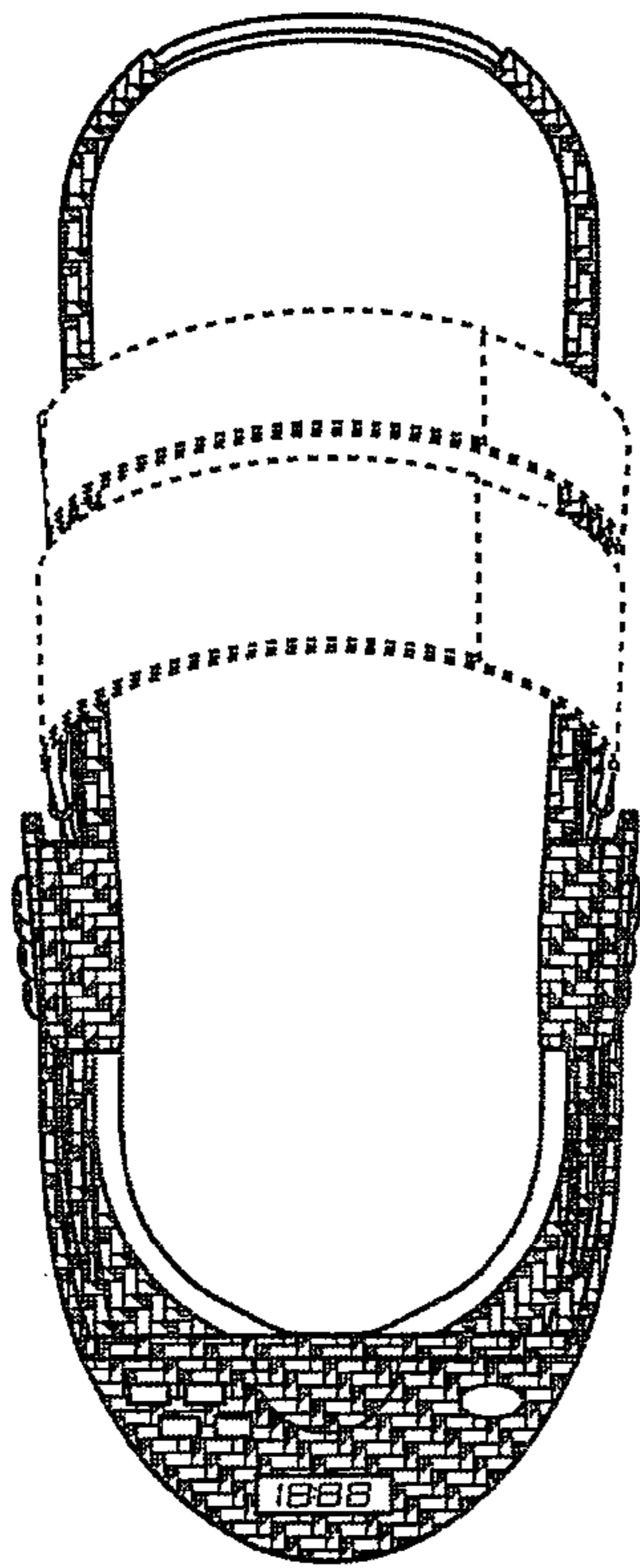


FIG. 7

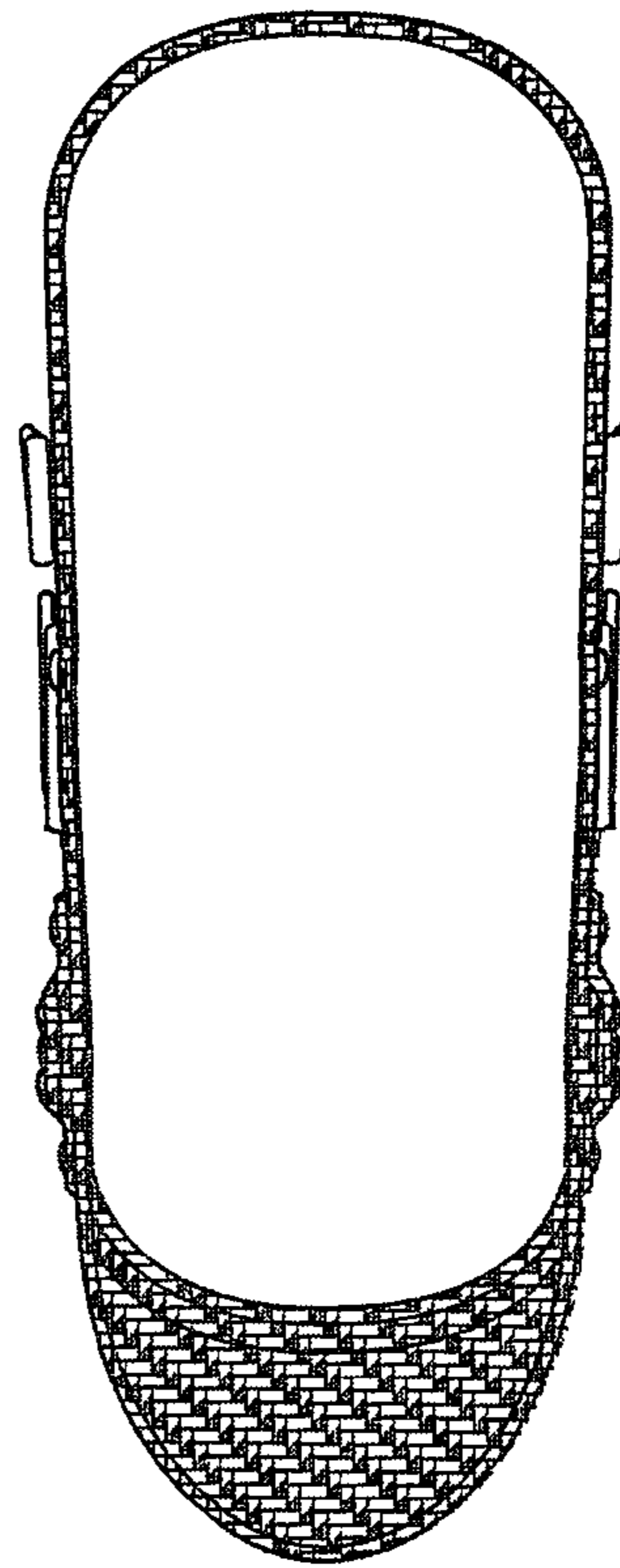


FIG. 8