



US00D641082S

(12) **United States Design Patent**
Onuma

(10) **Patent No.:** **US D641,082 S**
(45) **Date of Patent:** **** Jul. 5, 2011**

(54) **PROCESSOR FOR ENDOSCOPE**

(75) Inventor: **Koki Onuma**, Tokyo (JP)

(73) Assignee: **Hoya Corporation**, Tokyo (JP)

(**) Term: **14 Years**

(21) Appl. No.: **29/377,855**

(22) Filed: **Oct. 27, 2010**

(30) **Foreign Application Priority Data**

Apr. 27, 2010 (JP) 2010-010521

(51) **LOC (9) Cl.** **24-02**

(52) **U.S. Cl.** **D24/138**

(58) **Field of Classification Search** D24/138,
D24/137, 107, 186; 600/101-183

See application file for complete search history.

(56) **References Cited**

U.S. PATENT DOCUMENTS

D412,977 S *	8/1999	Hayamizu	D24/107
D481,123 S *	10/2003	Hayamizu	D24/138
D508,196 S *	8/2005	Pieters	D8/308
D519,020 S *	4/2006	Gorkovenko	D8/307
D533,940 S *	12/2006	Hayamizu	D24/138
D534,654 S *	1/2007	Hayamizu	D24/138
D537,163 S *	2/2007	Nakamura	D24/138
D564,094 S *	3/2008	Hayashi	D24/138
D564,661 S *	3/2008	Hayashi	D24/138

FOREIGN PATENT DOCUMENTS

JP D1302403 S 6/2007

OTHER PUBLICATIONS

Japanese Office Action issued Oct. 8, 2010, in Application No. 2010-010521.

* cited by examiner

Primary Examiner — Bridget L Eland

(74) *Attorney, Agent, or Firm* — Sughrue Mion, PLLC

(57) **CLAIM**

The ornamental design for the processor for endoscope, as shown and described.

DESCRIPTION

FIG. 1 is a right side perspective view of a processor for endoscope showing my new design;
FIG. 2 is a left side perspective view thereof;
FIG. 3 is a front view thereof;
FIG. 4 is a rear view thereof;
FIG. 5 is a top plan view thereof;
FIG. 6 is a bottom view thereof;
FIG. 7 is a left side view thereof; and,
FIG. 8 is a right side view thereof.

The broken lines represent the portions of the design that form no part of the claim.

1 Claim, 6 Drawing Sheets

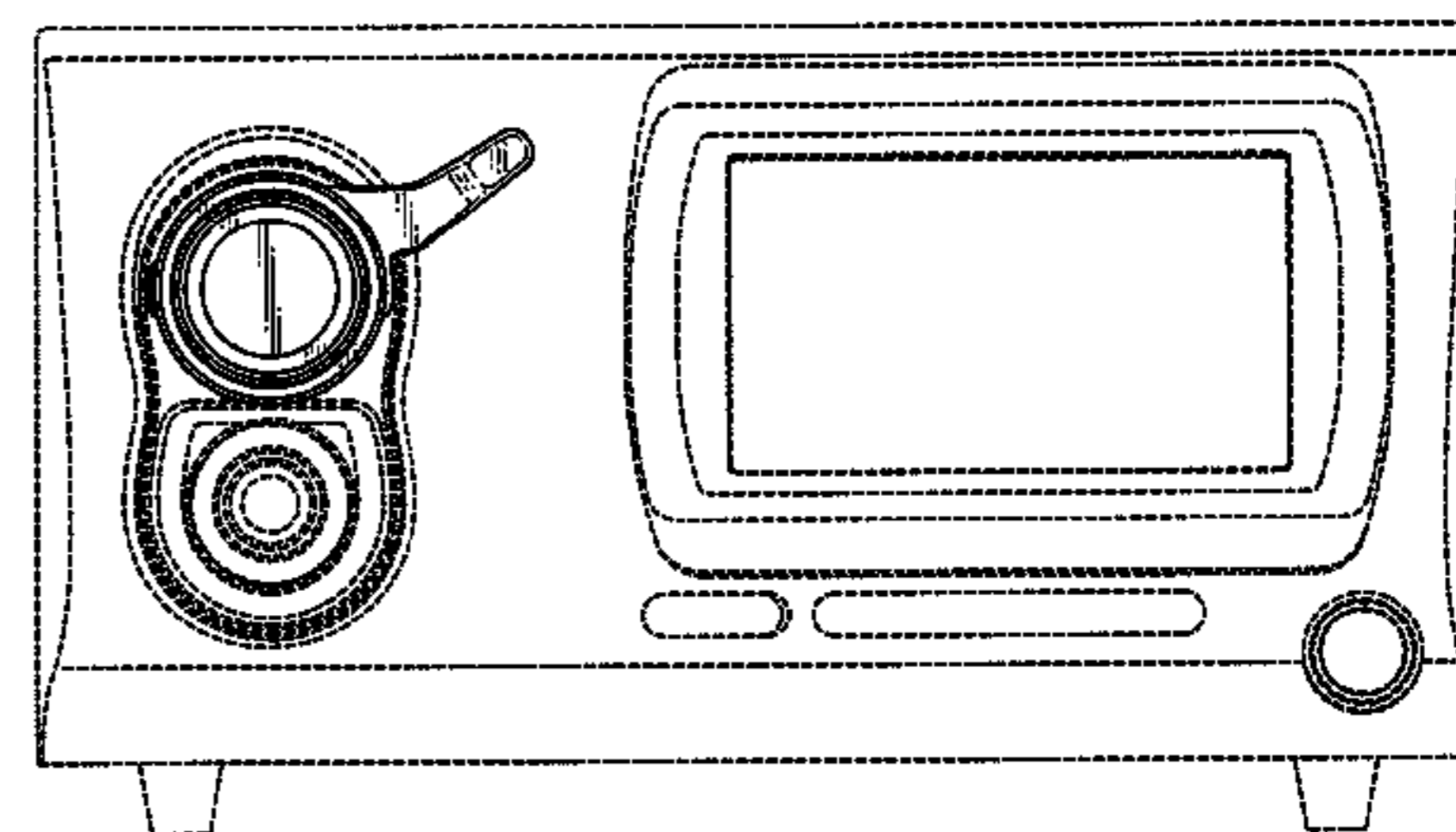
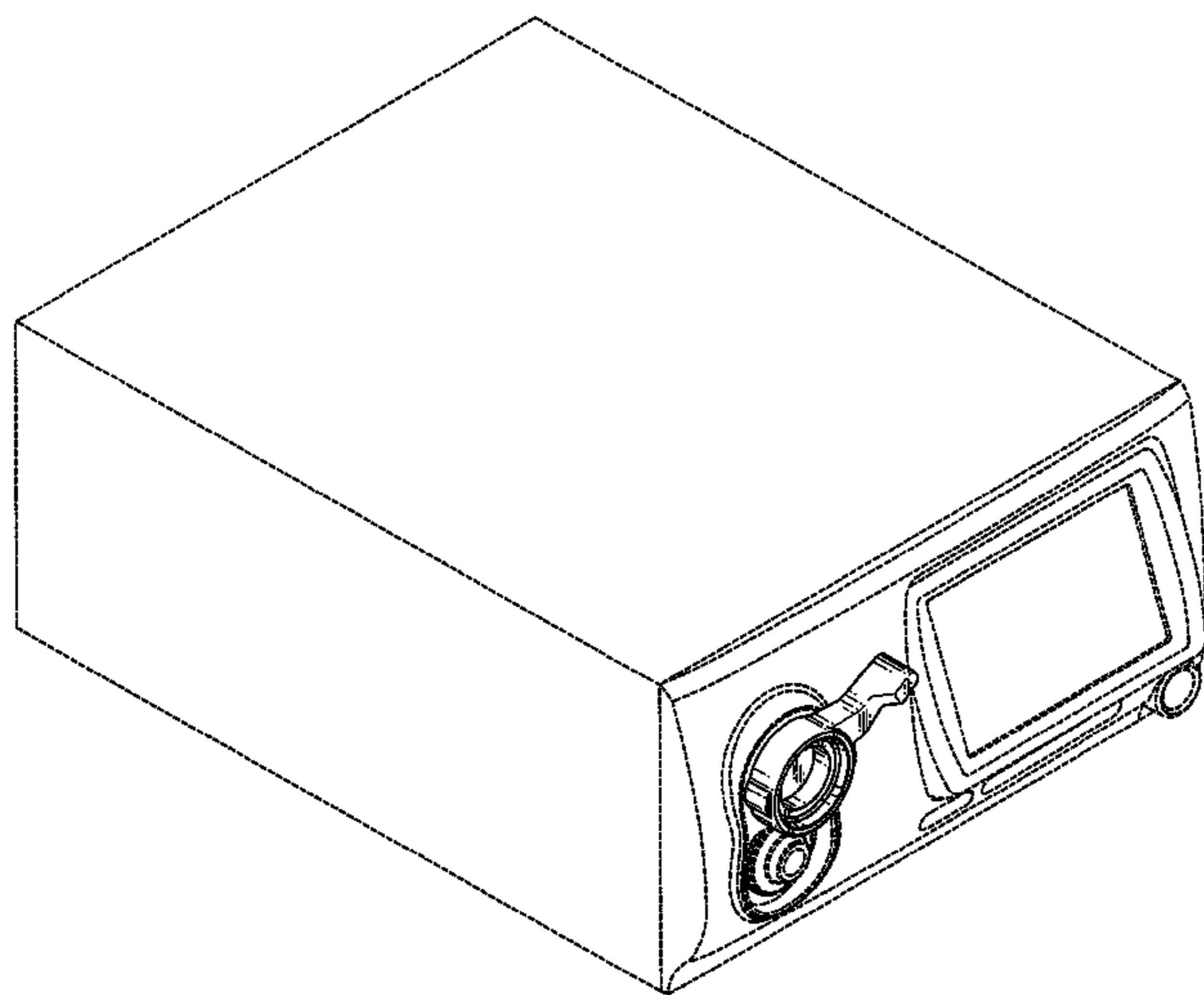


FIG.1

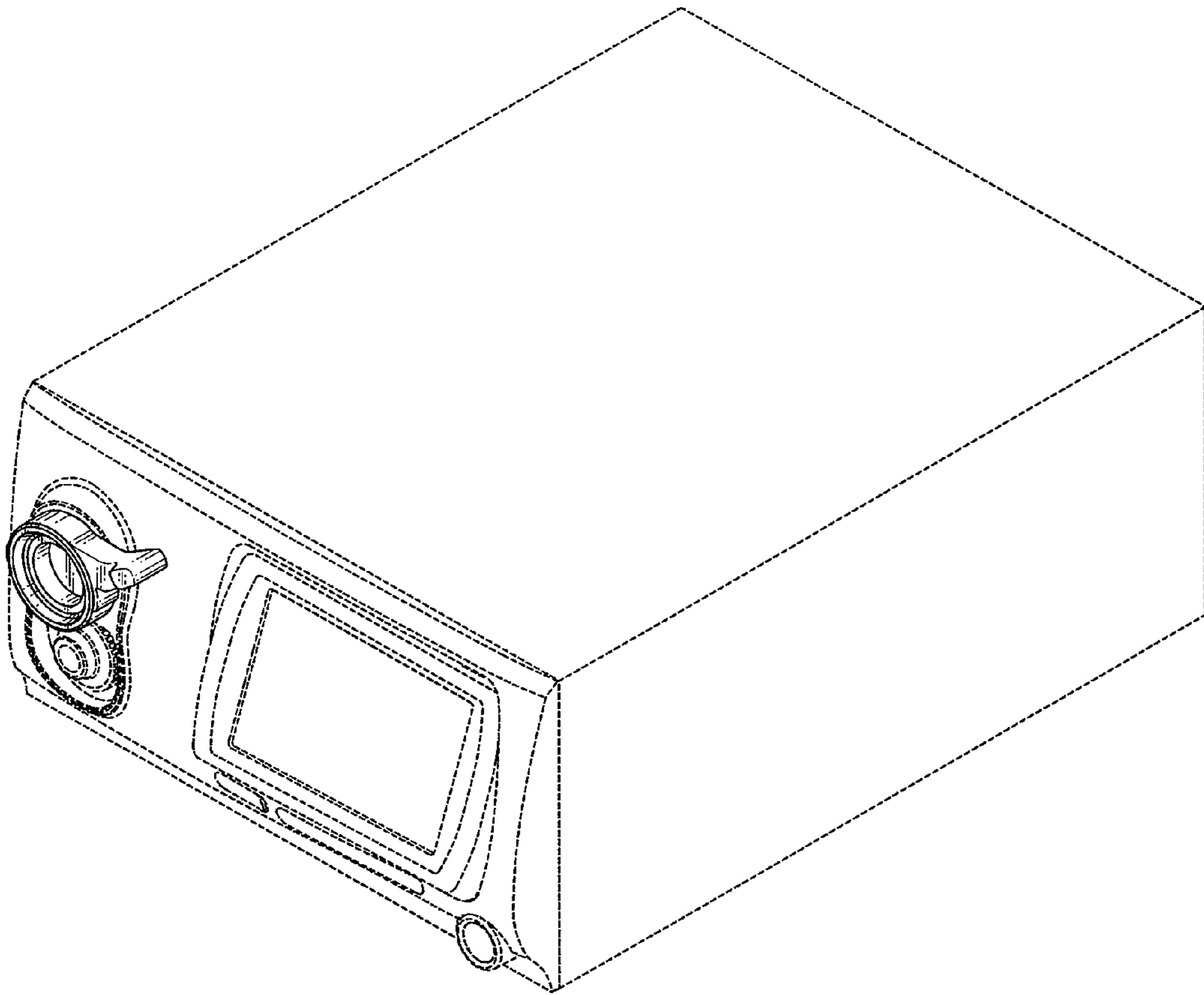


FIG.2

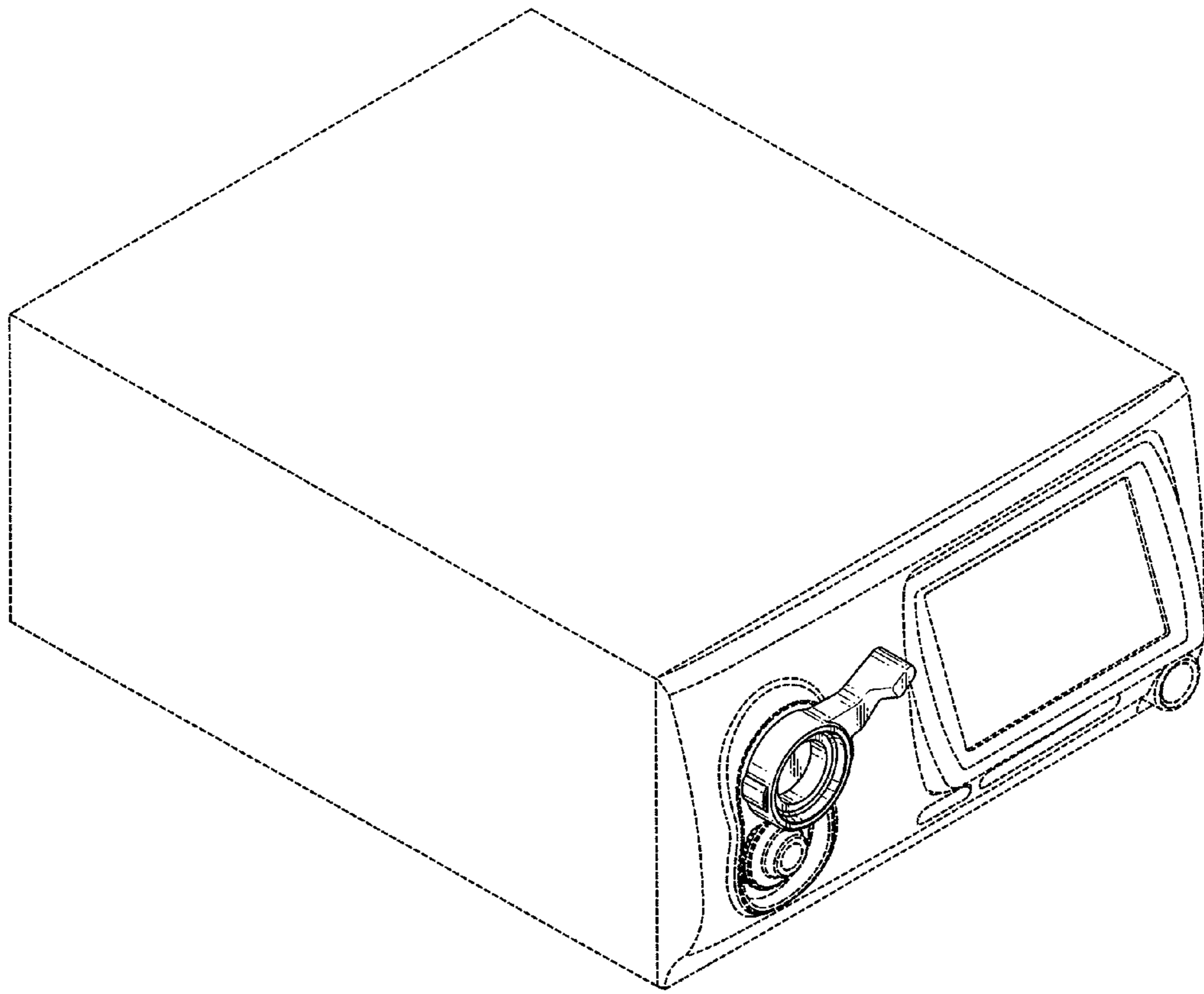


FIG.3

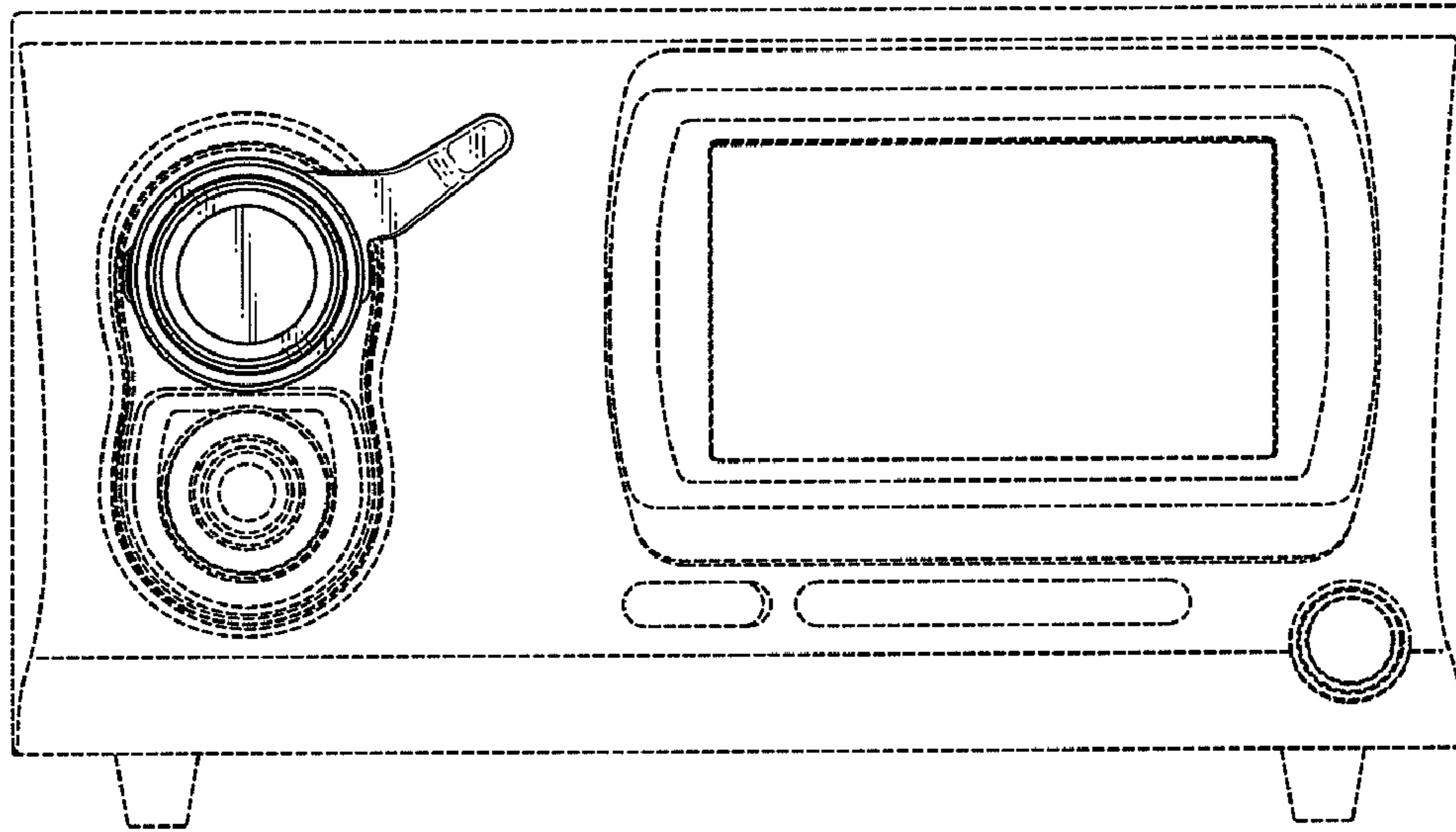


FIG.4

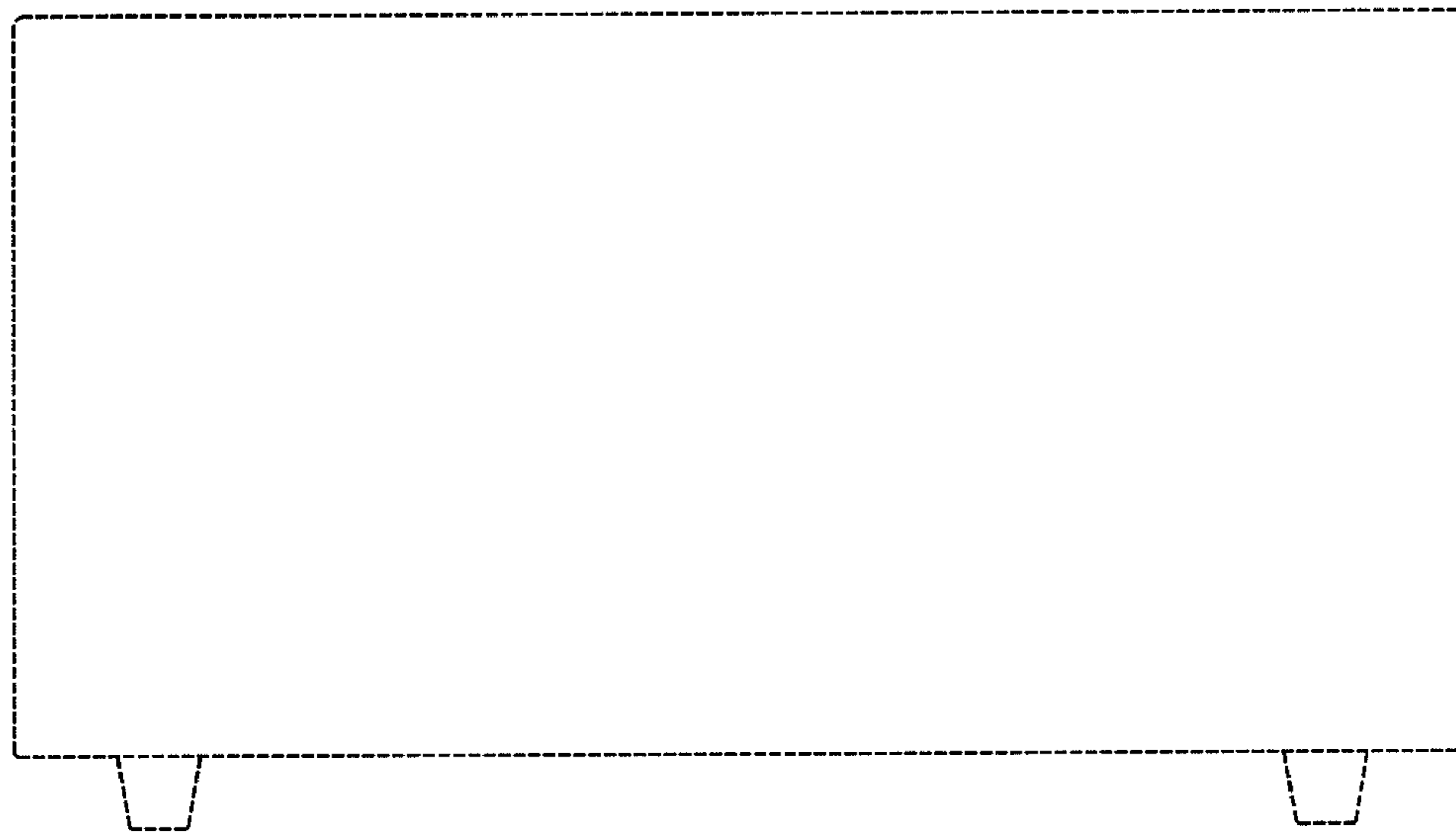


FIG.5

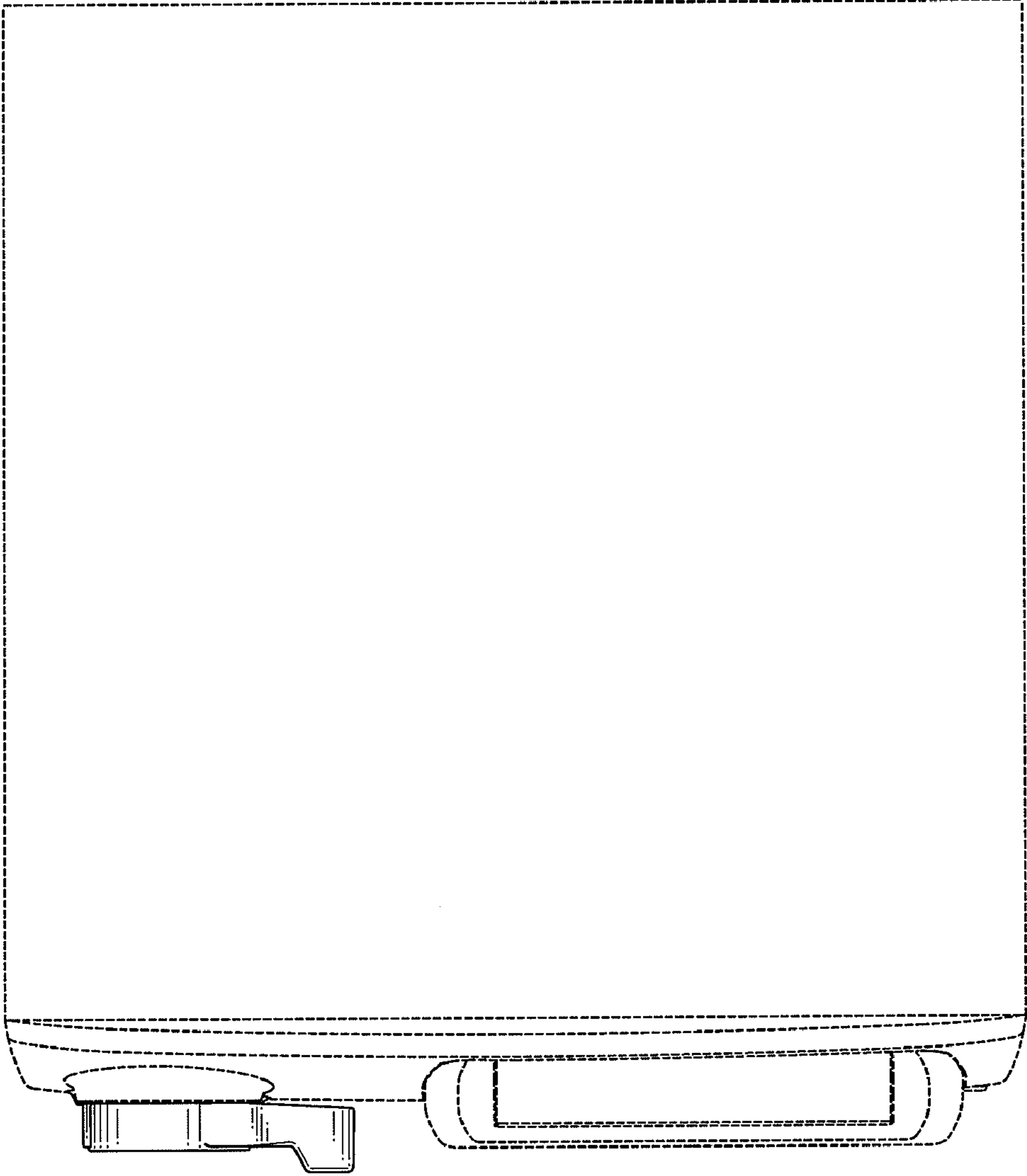


FIG.6

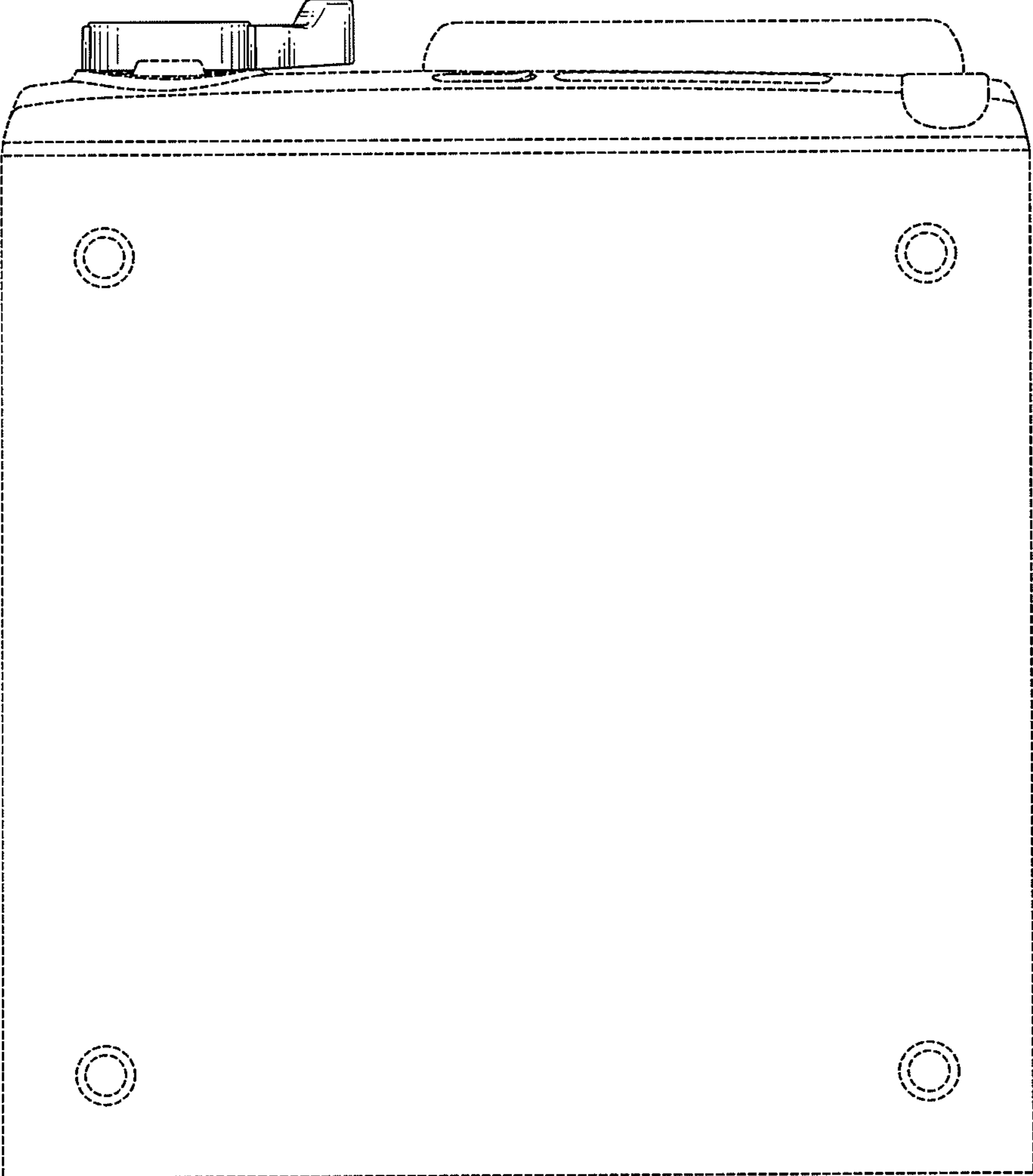


FIG.7

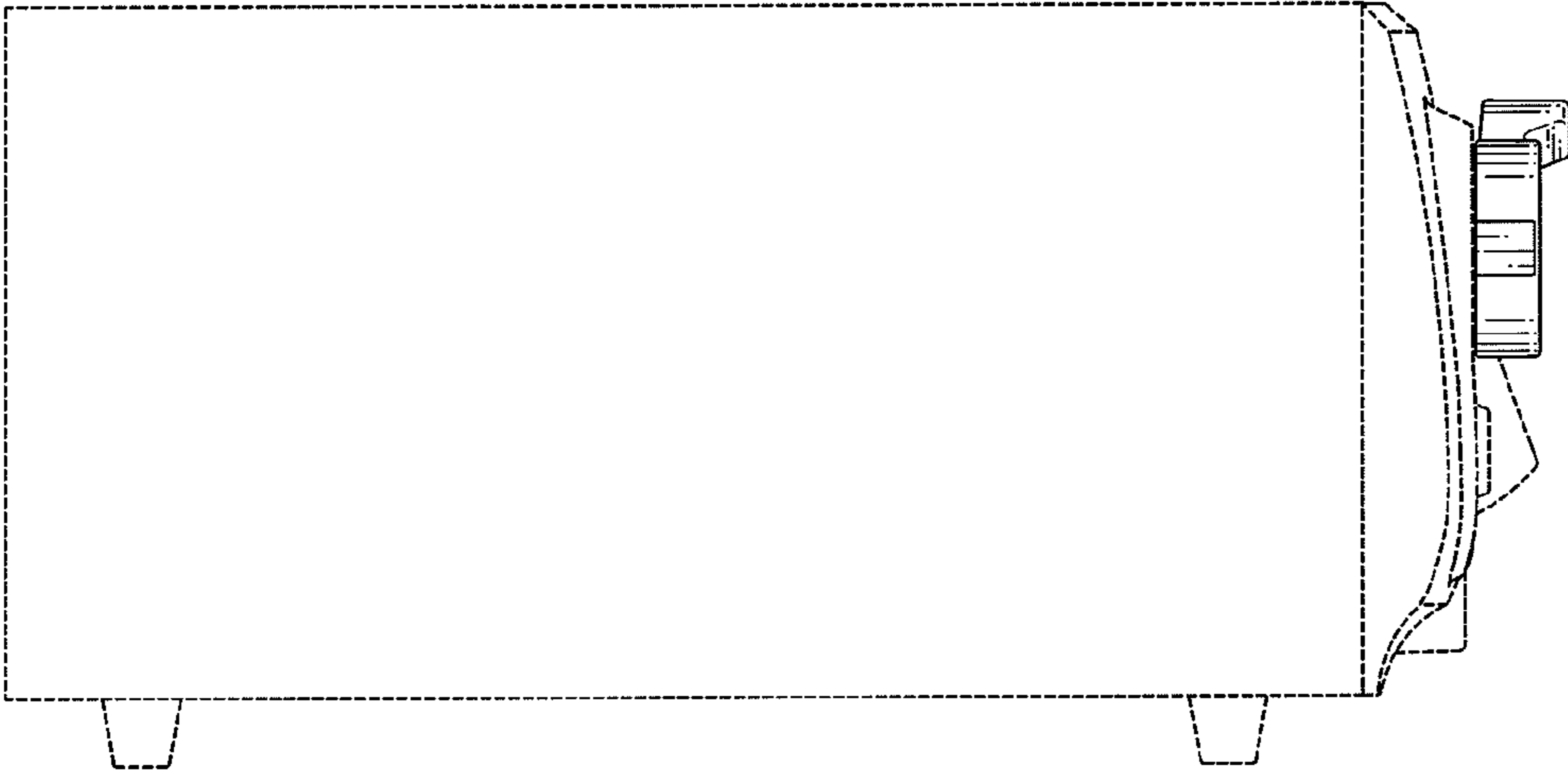


FIG.8

