



US00D641081S

(12) **United States Design Patent**
Onuma

(10) **Patent No.:** **US D641,081 S**

(45) **Date of Patent:** **** Jul. 5, 2011**

(54) **PROCESSOR FOR ENDOSCOPE**

(75) Inventor: **Koki Onuma**, Tokyo (JP)

(73) Assignee: **Hoya Corporation**, Tokyo (JP)

(**) Term: **14 Years**

(21) Appl. No.: **29/377,846**

(22) Filed: **Oct. 27, 2010**

(30) **Foreign Application Priority Data**

Apr. 27, 2010 (JP) 2010-010520

(51) **LOC (9) Cl.** **24-02**

(52) **U.S. Cl.** **D24/138**

(58) **Field of Classification Search** D24/138,
D24/137, 107, 186; 600/101-183
See application file for complete search history.

(56) **References Cited**

U.S. PATENT DOCUMENTS

D532,904 S * 11/2006 Hayamizu D24/138
D534,275 S * 12/2006 Hayamizu D24/138
D534,654 S * 1/2007 Hayamizu D24/138

D550,357 S * 9/2007 Hayamizu D24/138
D564,094 S * 3/2008 Hayashi D24/138
D564,661 S * 3/2008 Hayashi D24/138
D599,905 S * 9/2009 Matsushita D24/138

* cited by examiner

Primary Examiner — Bridget L Eland

(74) *Attorney, Agent, or Firm* — Sughrue Mion, PLLC

(57) **CLAIM**

The ornamental design for the processor for endoscope, as shown and described.

DESCRIPTION

FIG. 1 is a right side perspective view of a processor for endoscope showing my new design;
FIG. 2 is a left side perspective view thereof;
FIG. 3 is a front view thereof;
FIG. 4 is a rear view thereof;
FIG. 5 is a top plan view thereof;
FIG. 6 is a bottom view thereof;
FIG. 7 is a left side view thereof; and,
FIG. 8 is a right side view thereof.
The broken lines represent the portions of the design that form no part of the claim.

1 Claim, 6 Drawing Sheets

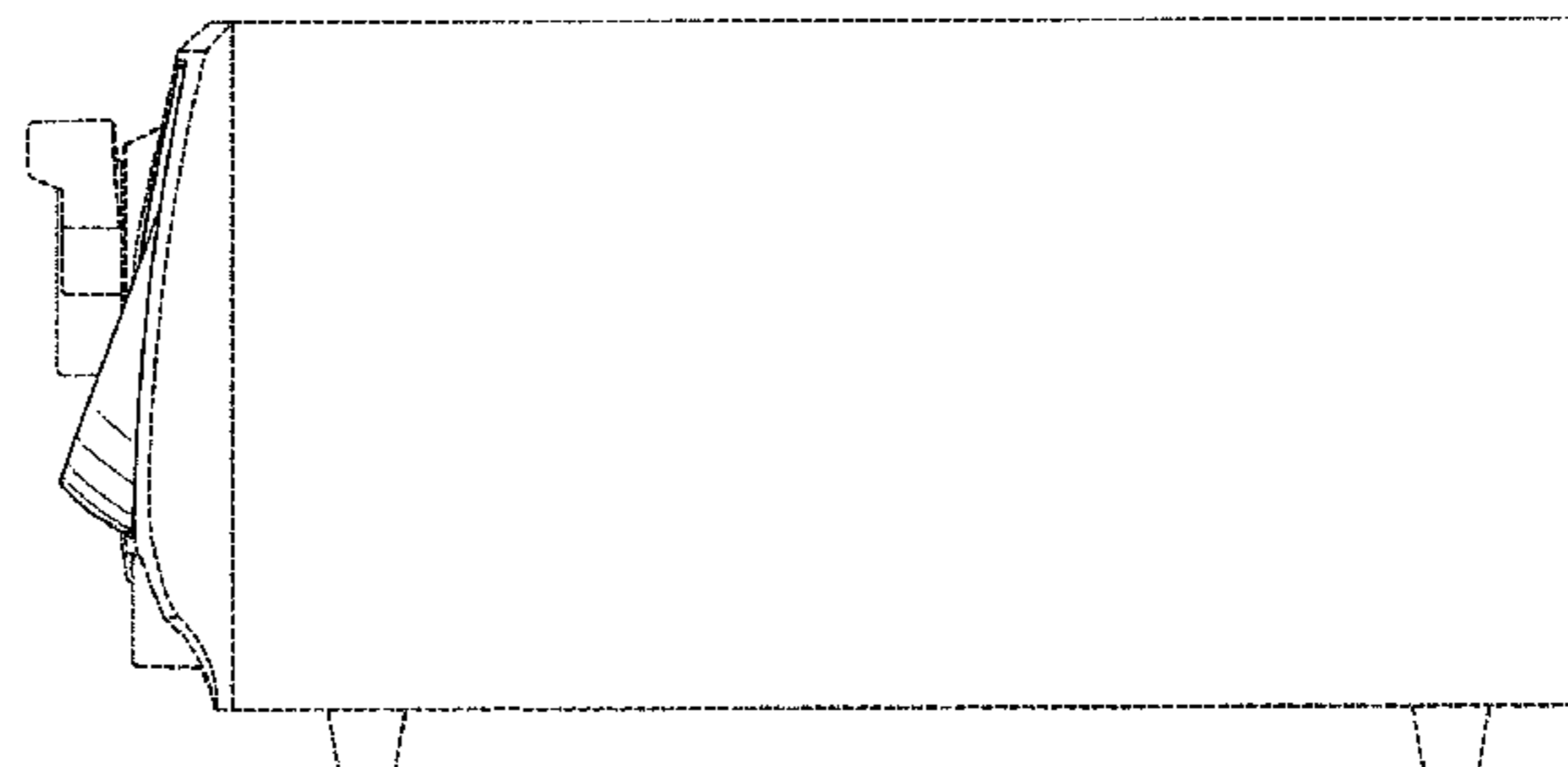
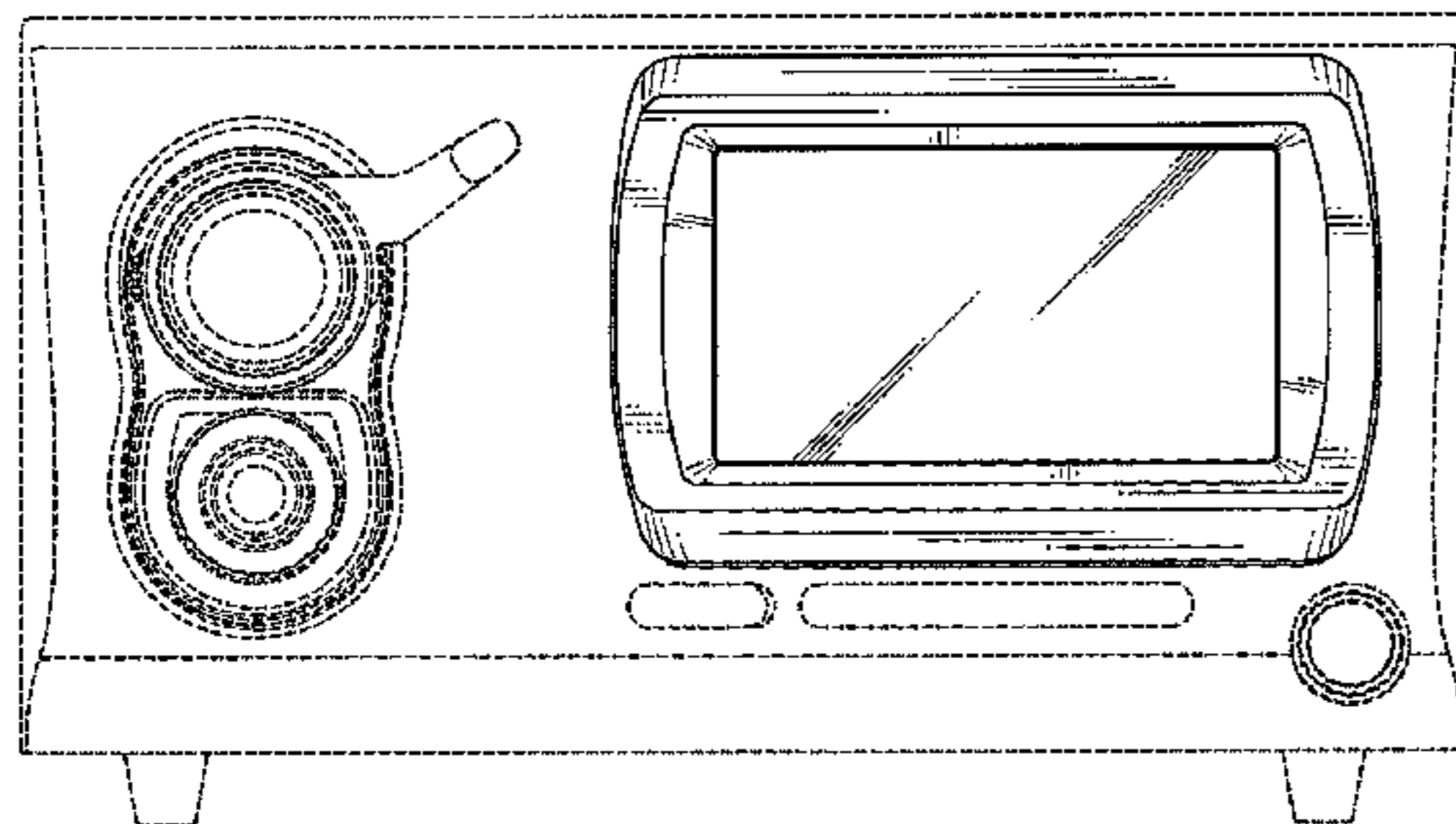


FIG.1

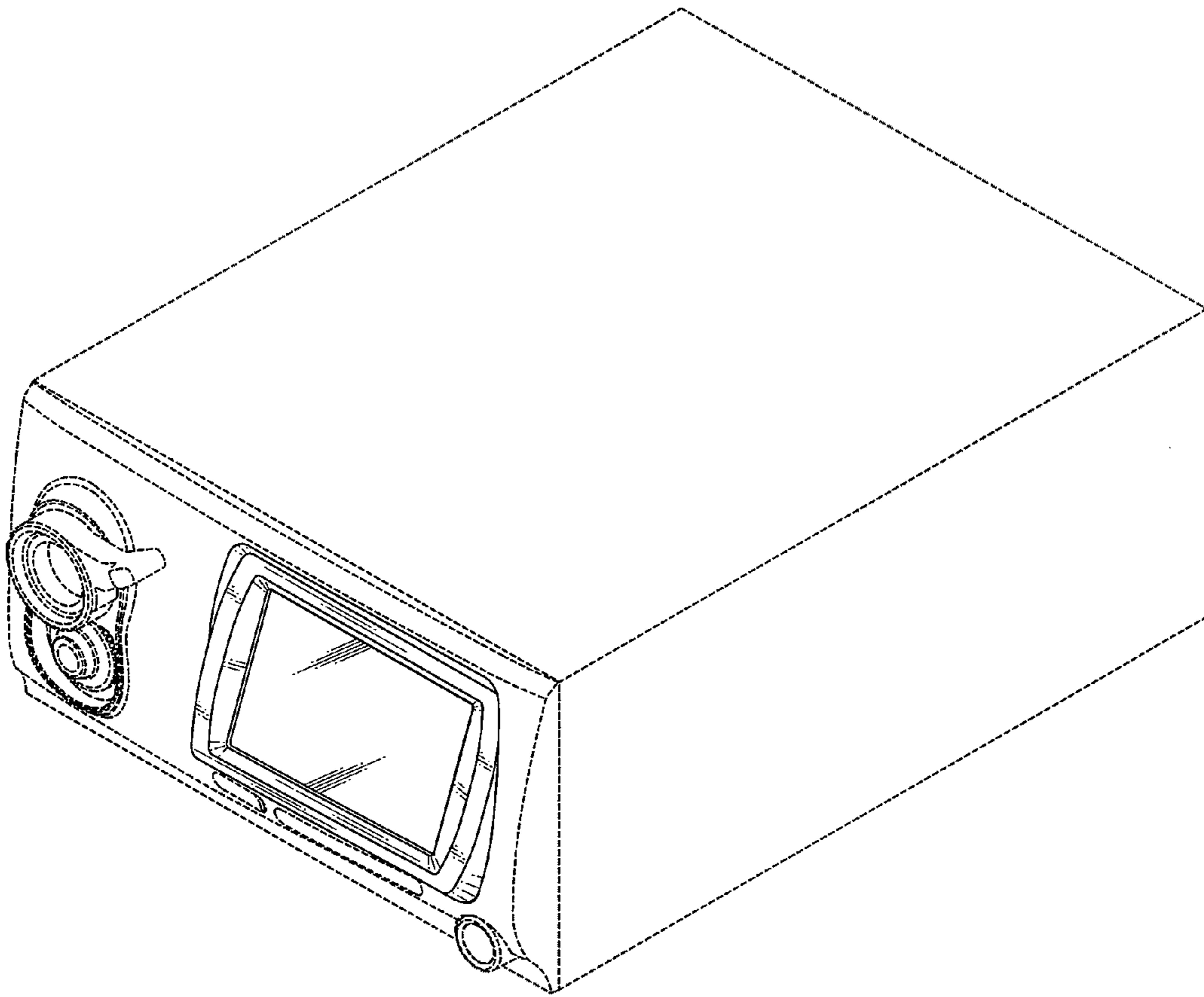


FIG.2

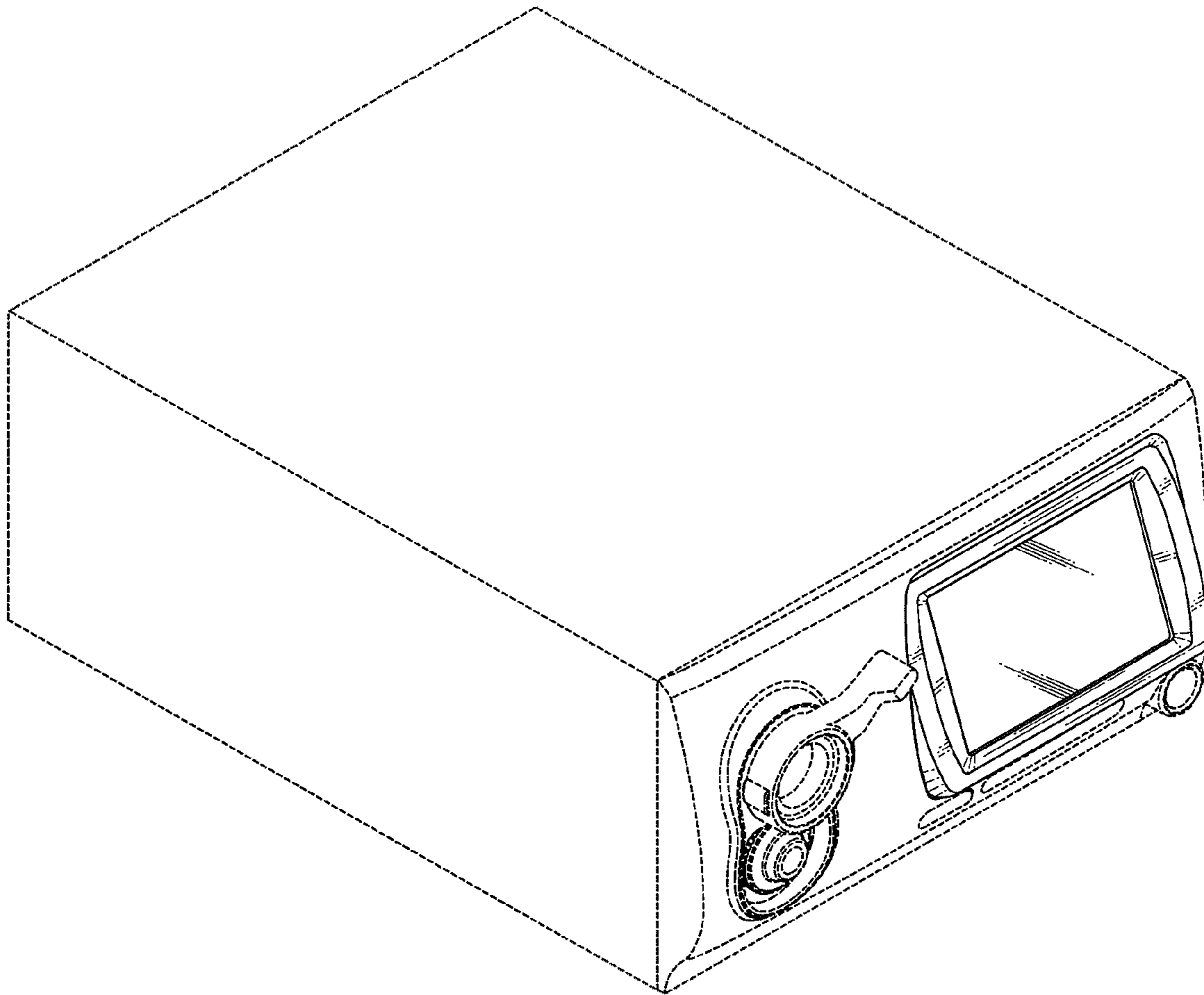


FIG.3

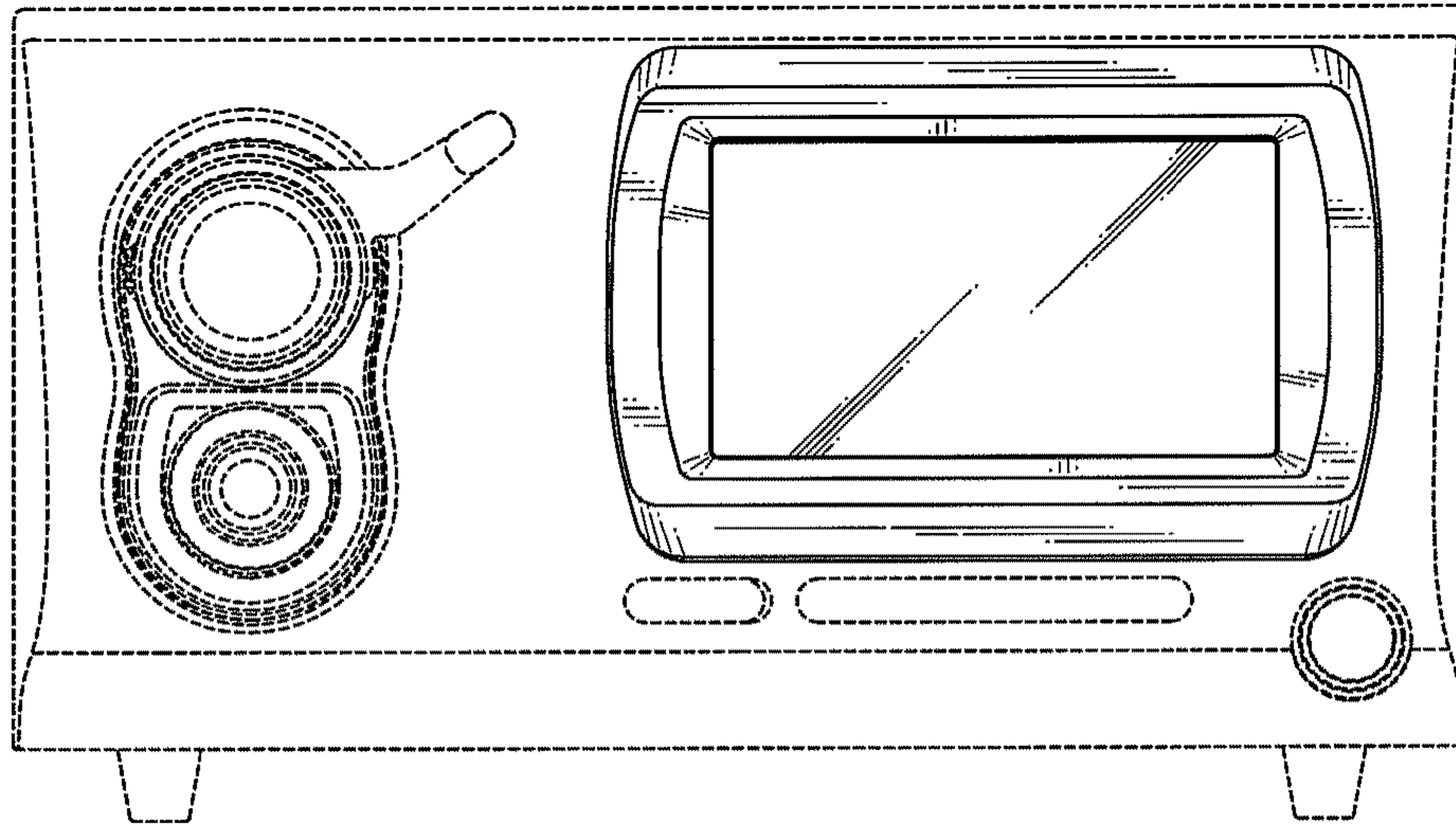


FIG.4

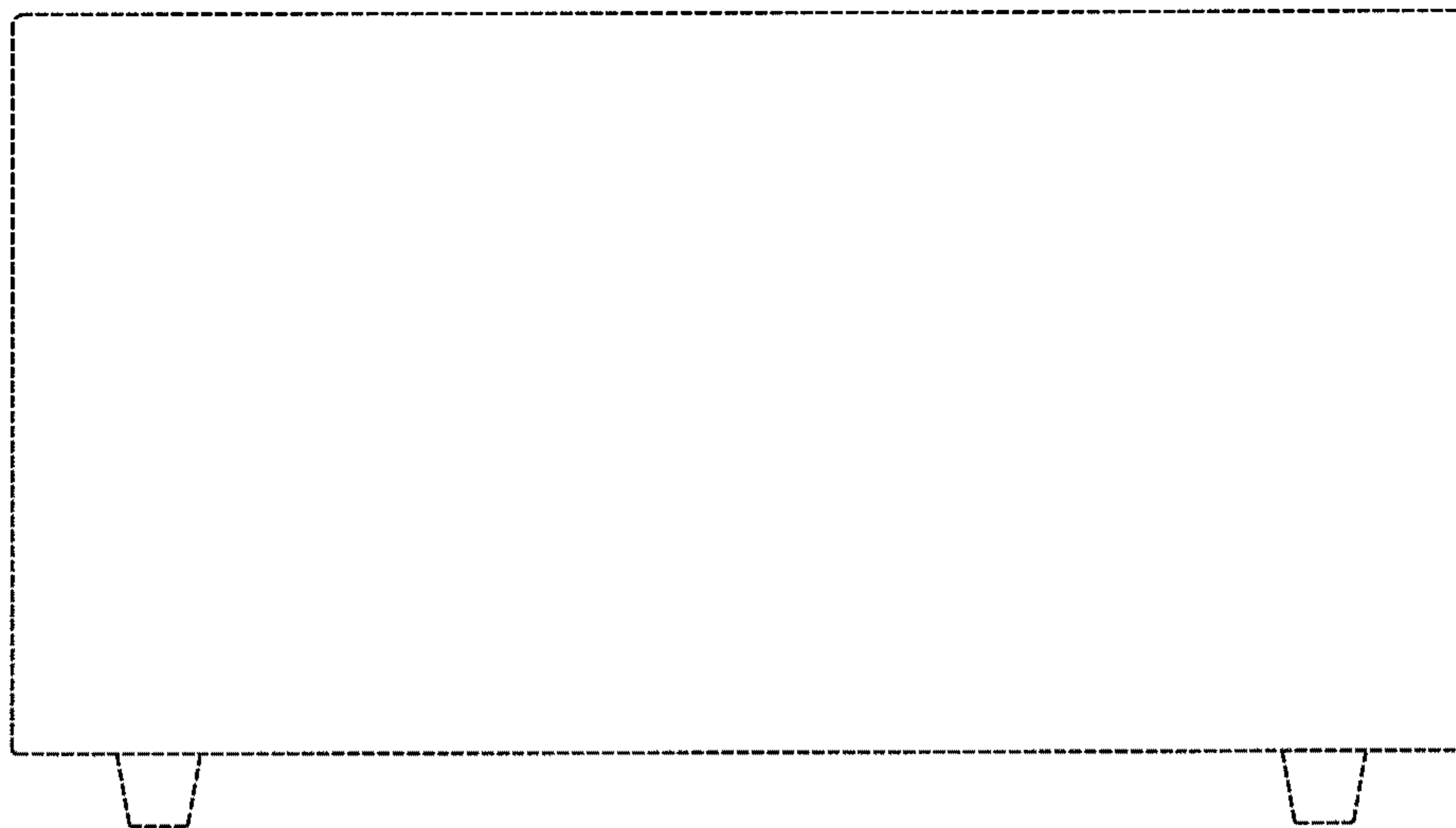


FIG.5

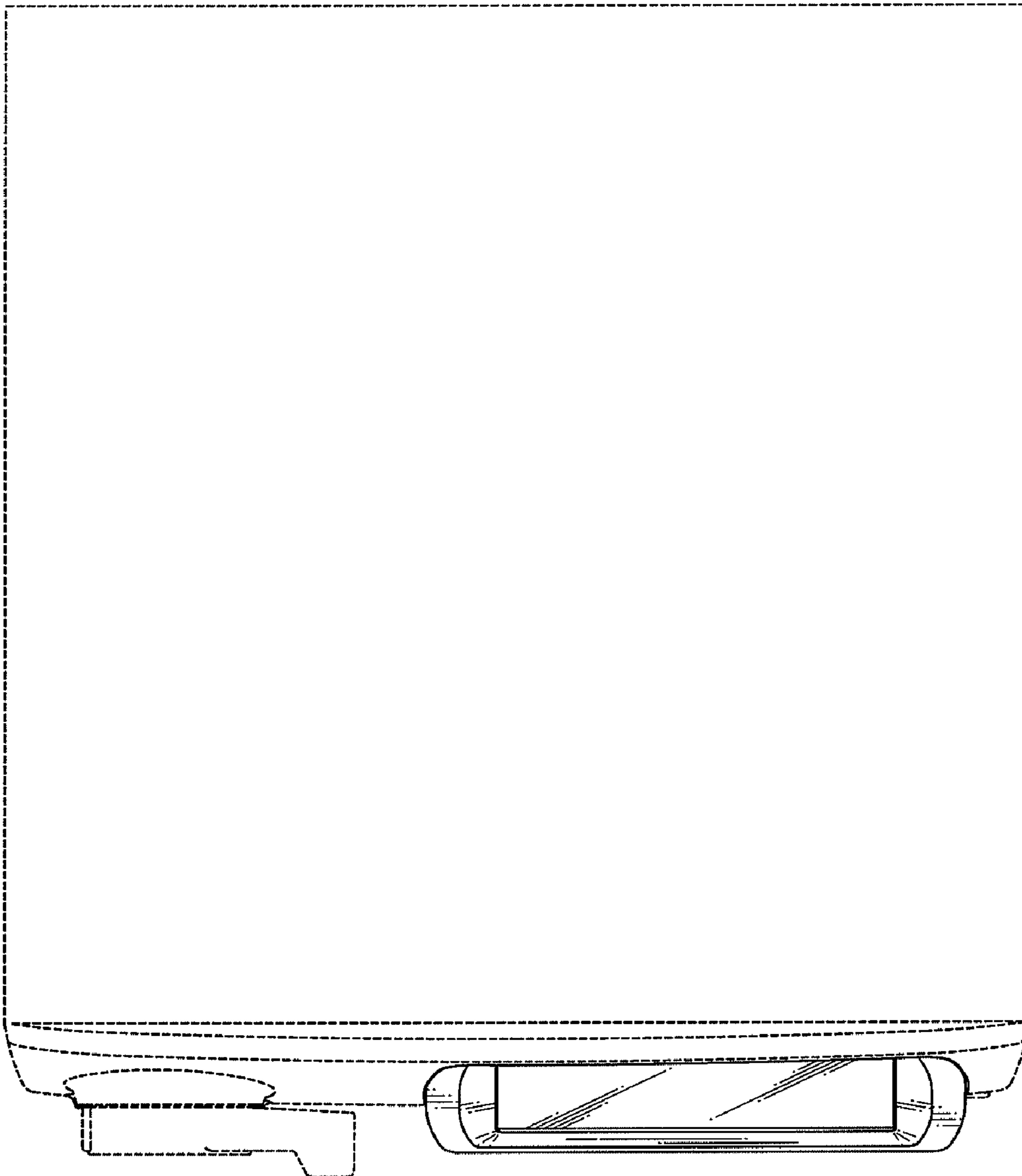


FIG.6

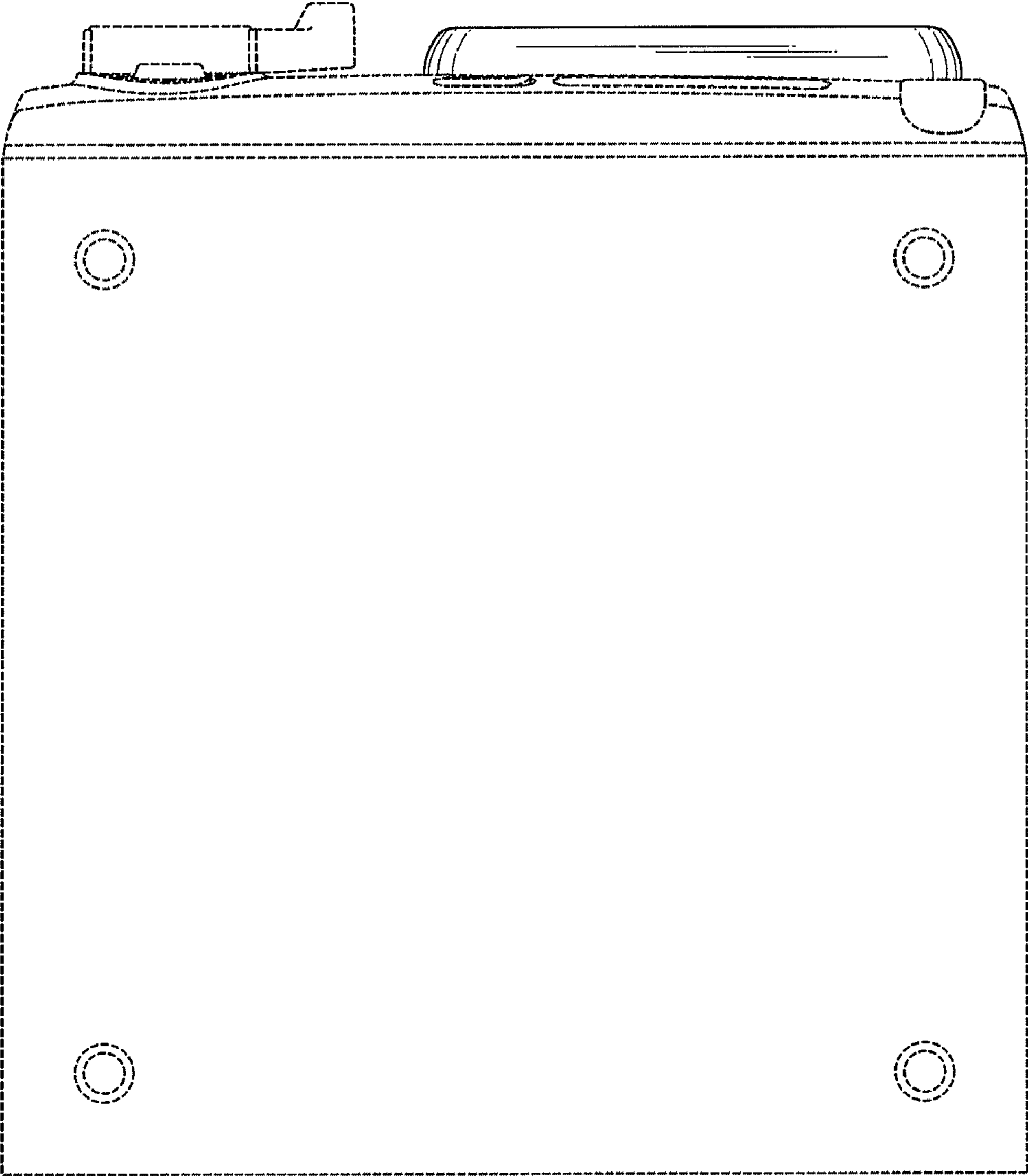


FIG.7

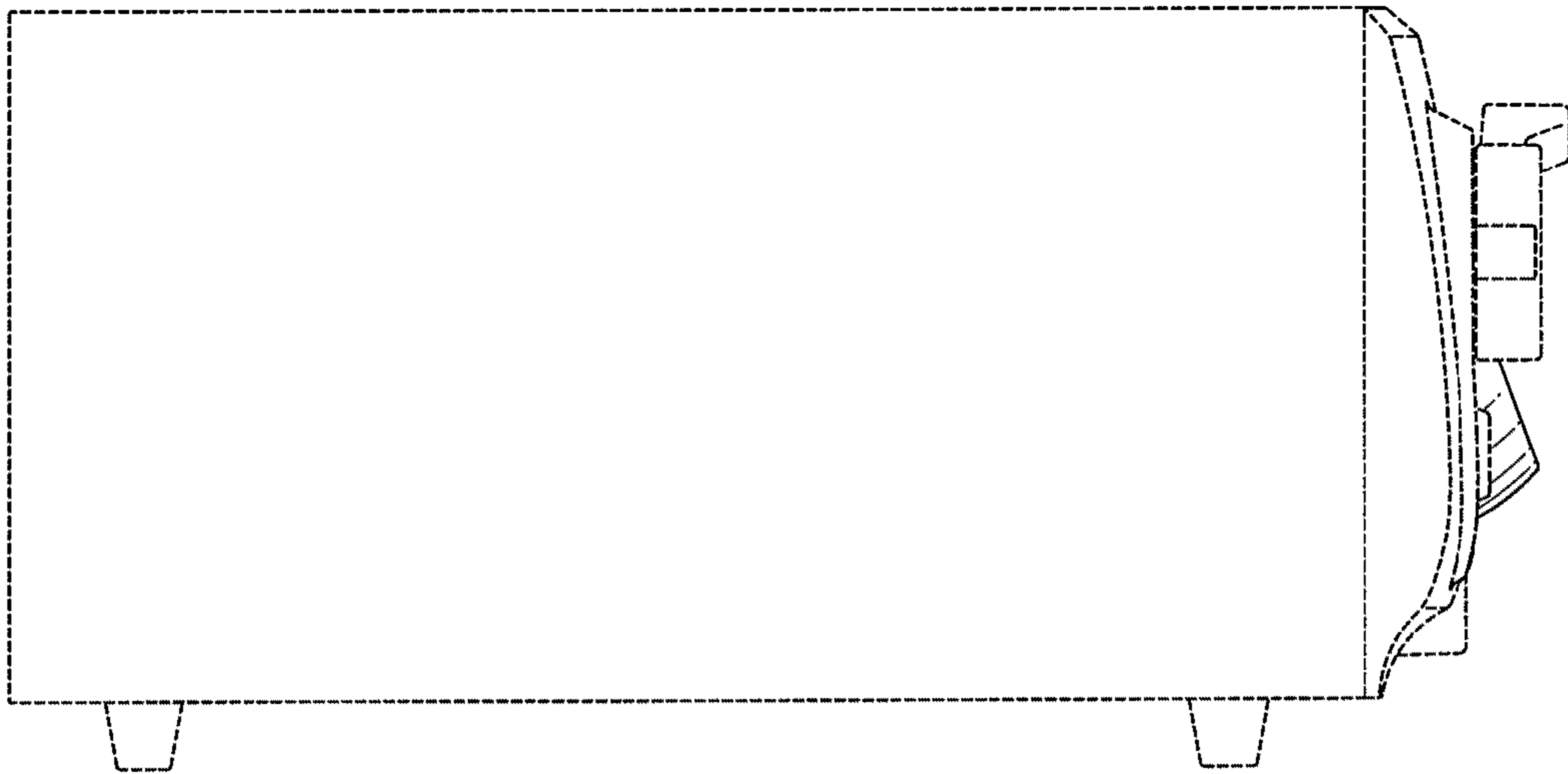


FIG.8

